



US00D800139S

(12) **United States Design Patent** (10) **Patent No.:** **US D800,139 S**  
**Brown et al.** (45) **Date of Patent:** **\*\* Oct. 17, 2017**

(54) **PORTABLE MEMORY STORAGE DEVICE**  
(71) Applicant: **APRICORN**, Poway, CA (US)  
(72) Inventors: **Paul Cameron Brown**, San Diego, CA (US); **Roy Walter Younggren**, San Diego, CA (US); **Michael Lee McCandless**, Poway, CA (US)  
(73) Assignee: **APRICORN**, Poway, CA (US)  
(\*\*) Term: **15 Years**  
(21) Appl. No.: **29/580,119**  
(22) Filed: **Oct. 5, 2016**  
(51) **LOC (10) Cl.** ..... **14-02**  
(52) **U.S. Cl.**  
USPC ..... **D14/480.5**  
(58) **Field of Classification Search**  
USPC ..... D14/480.1–480.7, 435.1, 411, 433, 436, D14/484.1, 137, 155, 203.1–203.8, 240, D14/242; D13/133, 154  
CPC ..... H05K 5/0278; G06K 19/07732  
See application file for complete search history.

D670,712 S 11/2012 Bolotin et al.  
D671,123 S \* 11/2012 Ni ..... D14/480.1  
D675,630 S \* 2/2013 Ni ..... D14/480.1  
D702,246 S \* 4/2014 Hoffart ..... D14/480.1  
D707,690 S \* 6/2014 Billington ..... D14/480.7

**OTHER PUBLICATIONS**

Aegis Secure Key 2.0, retrieved Dec. 21, 2012 from <https://www.apricorn.com/aegis-secure-key-2>.  
Aegis Secure Key 3.0, retrieved Dec. 21, 2012 from <https://www.apricorn.com/aegis-secure-key-3>.

\* cited by examiner

*Primary Examiner* — Angela J Lee  
(74) *Attorney, Agent, or Firm* — McDermott, Will & Emery LLP

(57) **CLAIM**

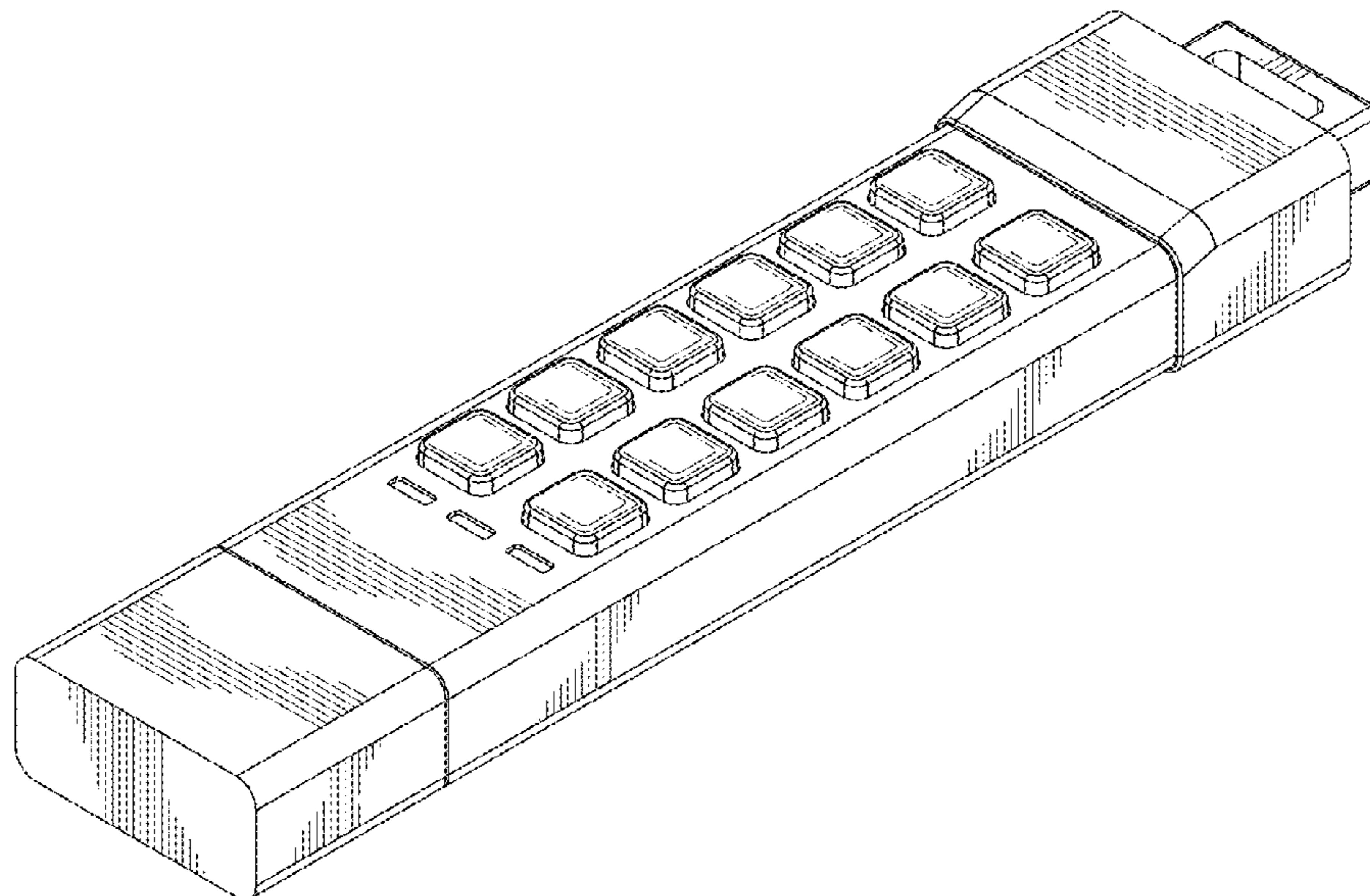
The ornamental design for a portable memory storage device, as shown and described.

**DESCRIPTION**

FIG. 1 is a first perspective view of a portable memory storage device, showing the new design;  
FIG. 2 is a second perspective view thereof;  
FIG. 3 is a left side view thereof;  
FIG. 4 is a right side view thereof;  
FIG. 5 is a top view thereof;  
FIG. 6 is a bottom view thereof;  
FIG. 7 is a front view thereof; and,  
FIG. 8 is a rear view thereof.

**1 Claim, 4 Drawing Sheets**

(56) **References Cited**  
U.S. PATENT DOCUMENTS  
D487,259 S \* 3/2004 Obata ..... D14/167  
D524,817 S \* 7/2006 Conley ..... D14/480.5  
D577,715 S \* 9/2008 Lim ..... D14/240  
D587,719 S \* 3/2009 Tate ..... D14/480.1  
D607,886 S \* 1/2010 Bolotin ..... D14/480.1  
D610,588 S \* 2/2010 Chen ..... D14/480.7  
D623,753 S \* 9/2010 Saffer ..... D14/480.5  
D624,920 S \* 10/2010 Sheppard ..... D14/435.1  
D658,665 S \* 5/2012 Akana ..... D14/480.1



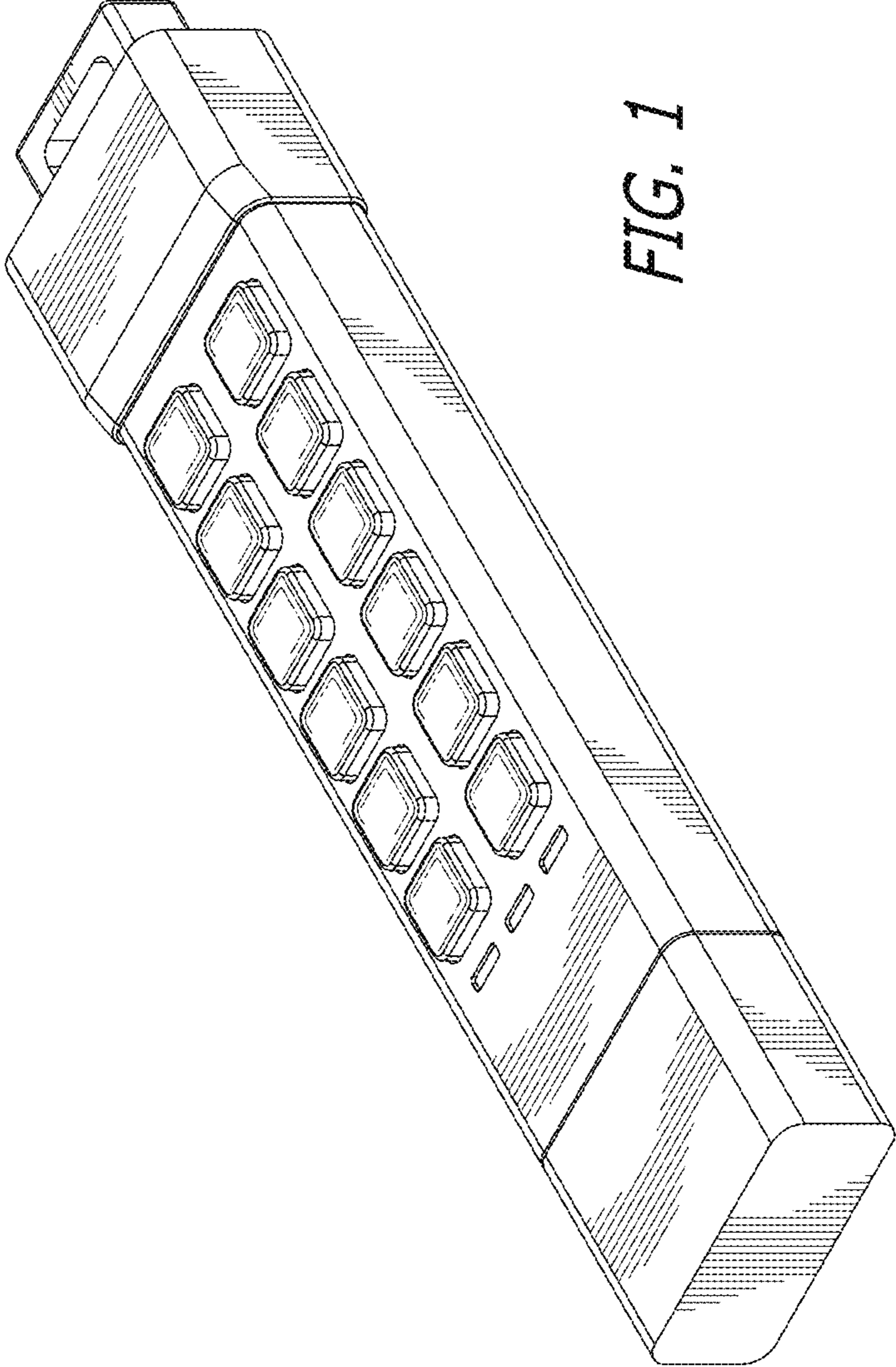
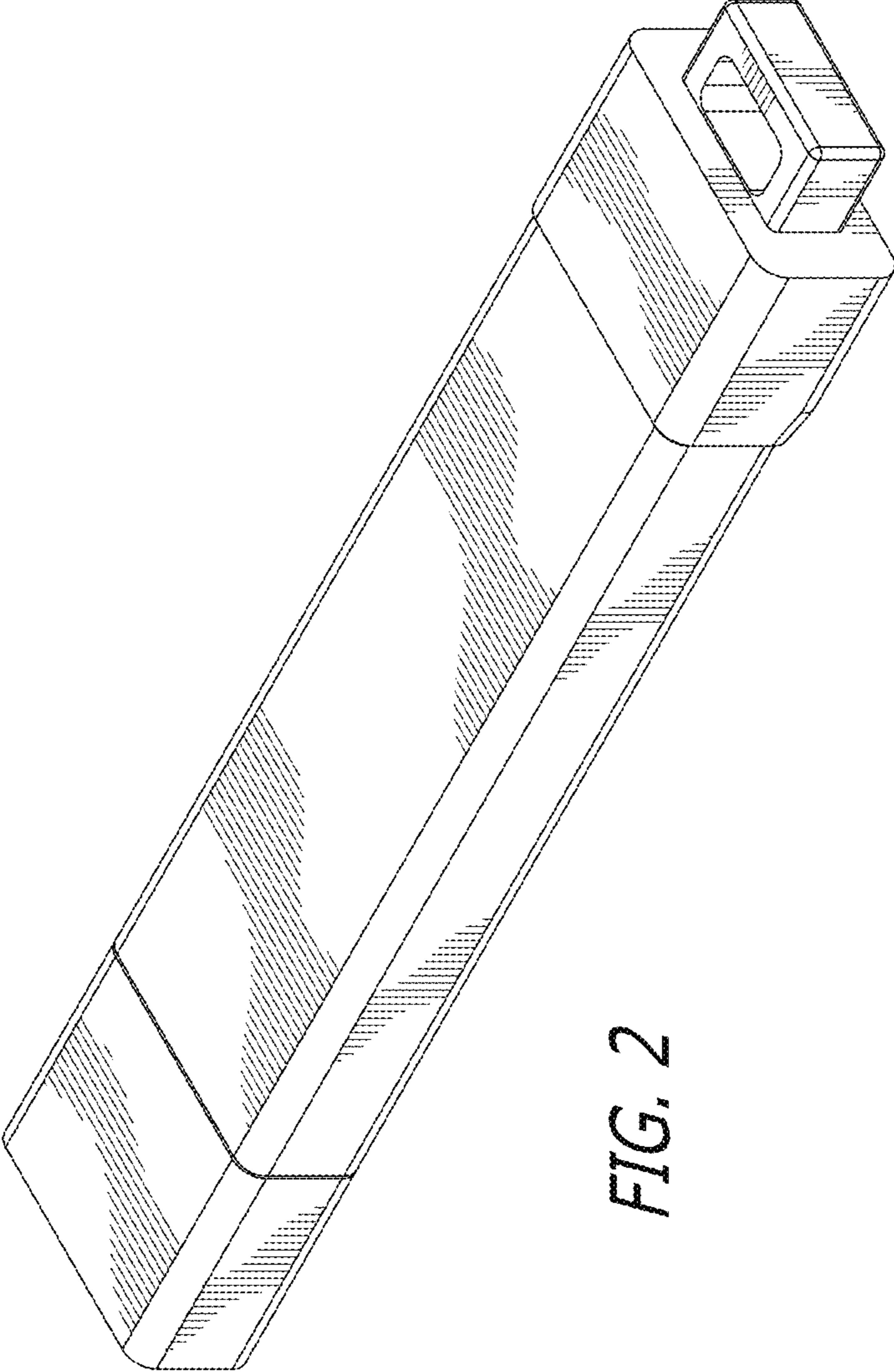


FIG. 1



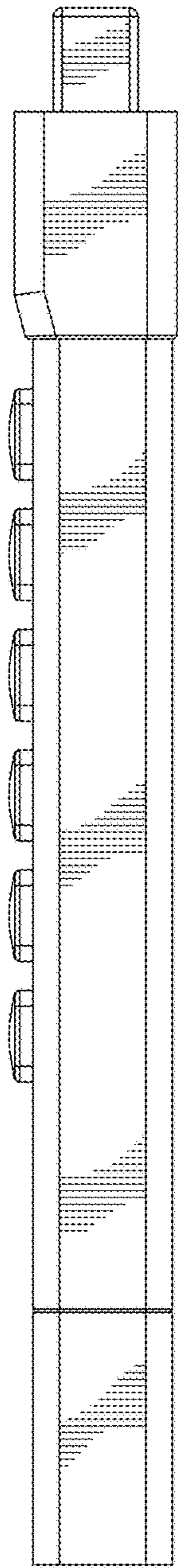


FIG. 3

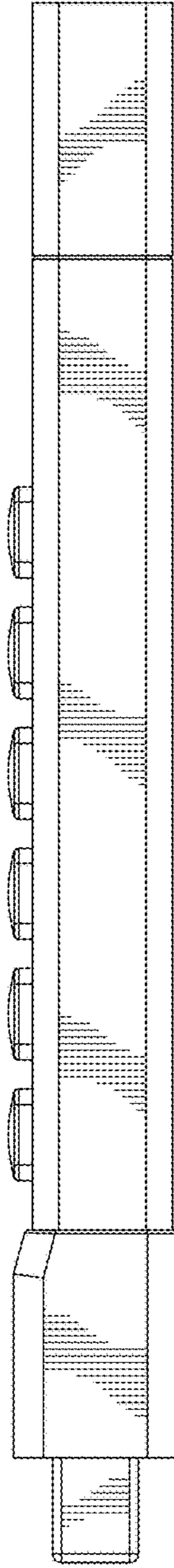


FIG. 4

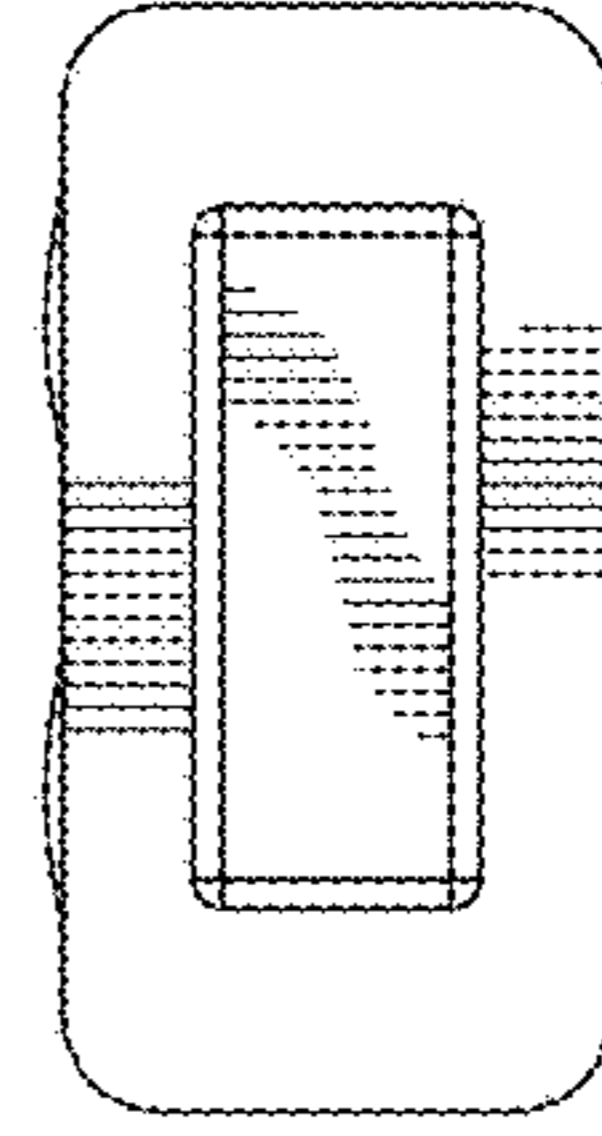


FIG. 6

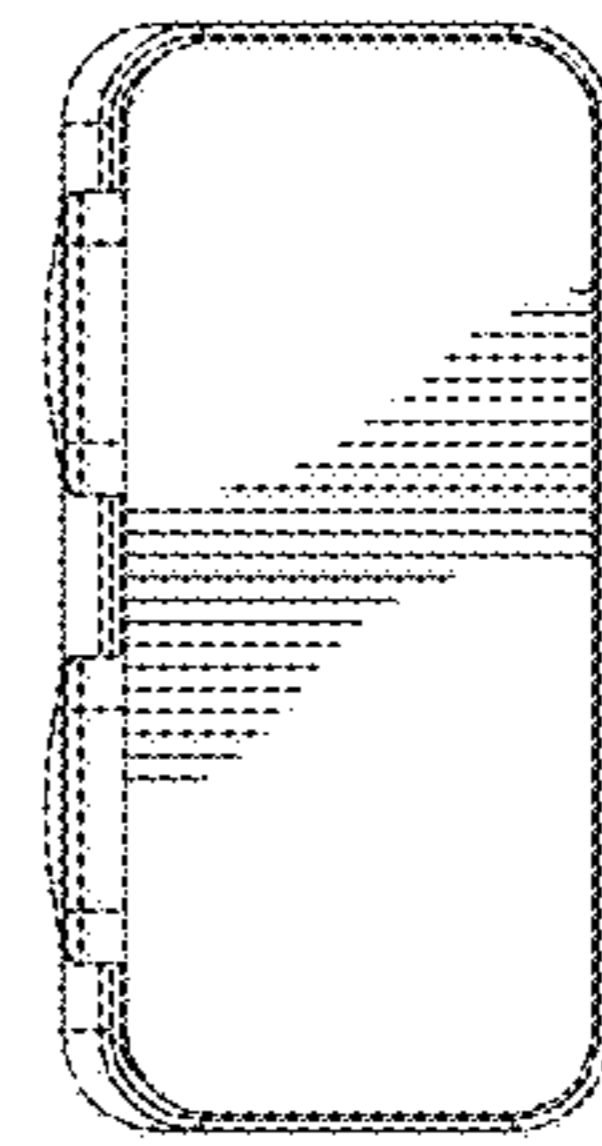


FIG. 5

FIG. 7

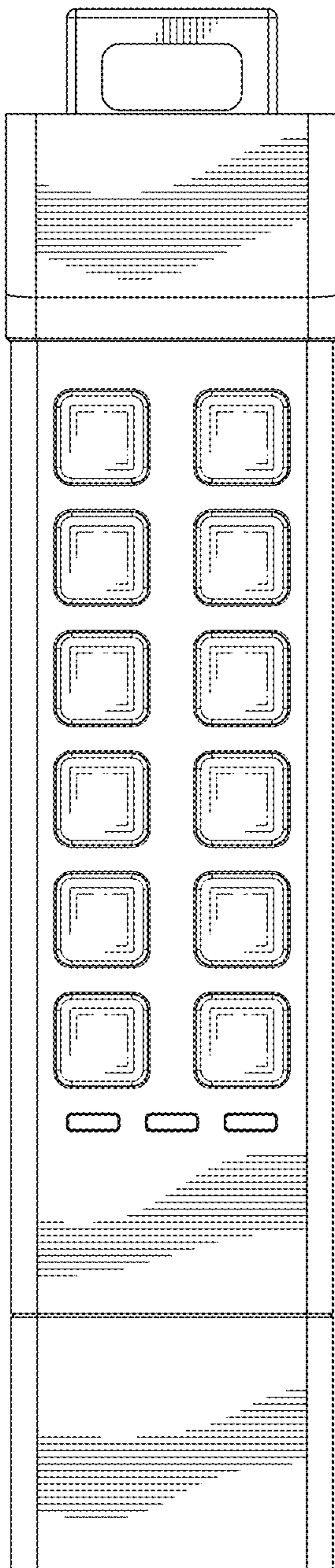


FIG. 8

