



US00D800138S

(12) **United States Design Patent**
Brown et al.

(10) **Patent No.:** **US D800,138 S**

(45) **Date of Patent:** **** Oct. 17, 2017**

(54) **PORTABLE MEMORY STORAGE DEVICE**

(71) Applicant: **APRICORN**, Poway, CA (US)

(72) Inventors: **Paul Cameron Brown**, San Diego, CA (US); **Roy Walter Younggren**, San Diego, CA (US); **Michael Lee McCandless**, Poway, CA (US)

(73) Assignee: **APRICORN**, Poway, CA (US)

(**) Term: **15 Years**

(21) Appl. No.: **29/580,118**

(22) Filed: **Oct. 5, 2016**

(51) **LOC (10) Cl.** **14-02**

(52) **U.S. Cl.**
USPC **D14/480.5**

(58) **Field of Classification Search**
USPC D14/480.1–480.7, 435.1, 411, 433, 436,
D14/484.1, 137, 155, 203.1–203.8, 240,
D14/242; D13/133, 154
CPC H05K 5/0278; G06K 19/07732
See application file for complete search history.

(56) **References Cited**

U.S. PATENT DOCUMENTS

D487,259 S *	3/2004	Obata	D14/167
D524,817 S *	7/2006	Conley	D14/480.5
D577,715 S *	9/2008	Lim	D14/240
D587,719 S *	3/2009	Tate	D14/480.1
D607,886 S *	1/2010	Bolotin	D14/480.1
D610,588 S *	2/2010	Chen	D14/480.7
D623,753 S *	9/2010	Saffer	D14/480.5
D624,920 S *	10/2010	Sheppard	D14/435.1

D658,665 S *	5/2012	Akana	D14/480.1
D670,712 S	11/2012	Bolotin et al.		
D671,123 S *	11/2012	Ni	D14/480.1
D675,630 S *	2/2013	Ni	D14/480.1
D702,246 S *	4/2014	Hoffart	D14/480.1
D707,690 S *	6/2014	Billington	D14/480.7

OTHER PUBLICATIONS

Aegis Secure Key 2.0, retrieved Dec. 21, 2012 from <https://www.apricorn.com/aegis-secure-key-2>.

Aegis Secure Key 3.0, retrieved Dec. 21, 2012 from <https://www.apricorn.com/aegis-secure-key-3>.

* cited by examiner

Primary Examiner — Angela J Lee

(74) *Attorney, Agent, or Firm* — McDermott, Will & Emery LLP

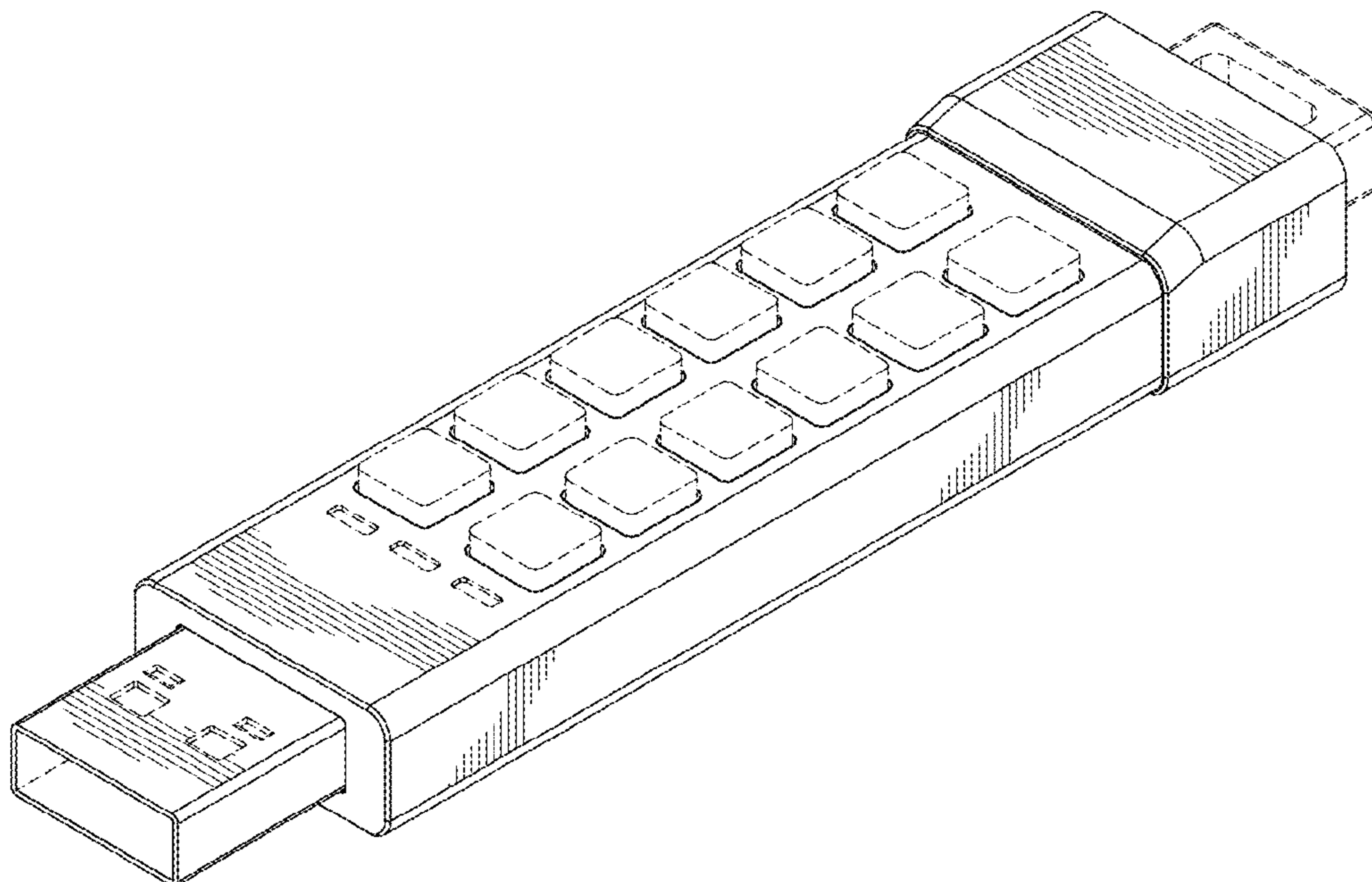
(57) **CLAIM**

The ornamental design for a portable memory storage device, as shown and described.

DESCRIPTION

FIG. 1 is a first perspective view of a portable memory storage device, showing the new design;
FIG. 2 is a second perspective view thereof;
FIG. 3 is a left side view thereof;
FIG. 4 is a right side view thereof;
FIG. 5 is a top view thereof;
FIG. 6 is a bottom view thereof;
FIG. 7 is a front view thereof; and,
FIG. 8 is a rear view thereof.
Features shown in broken lines in the drawings are not part of the claim.

1 Claim, 4 Drawing Sheets



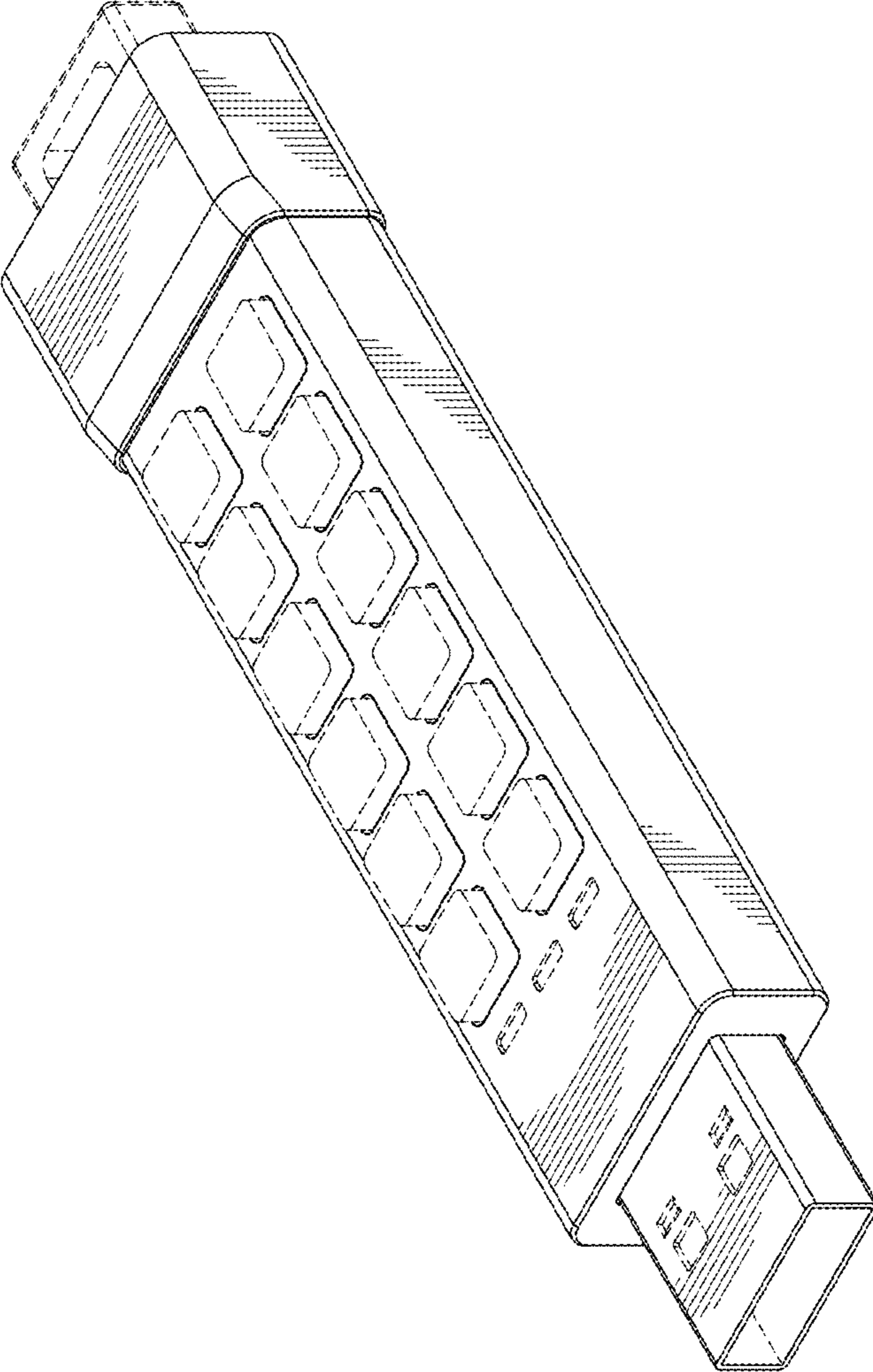


FIG. 1

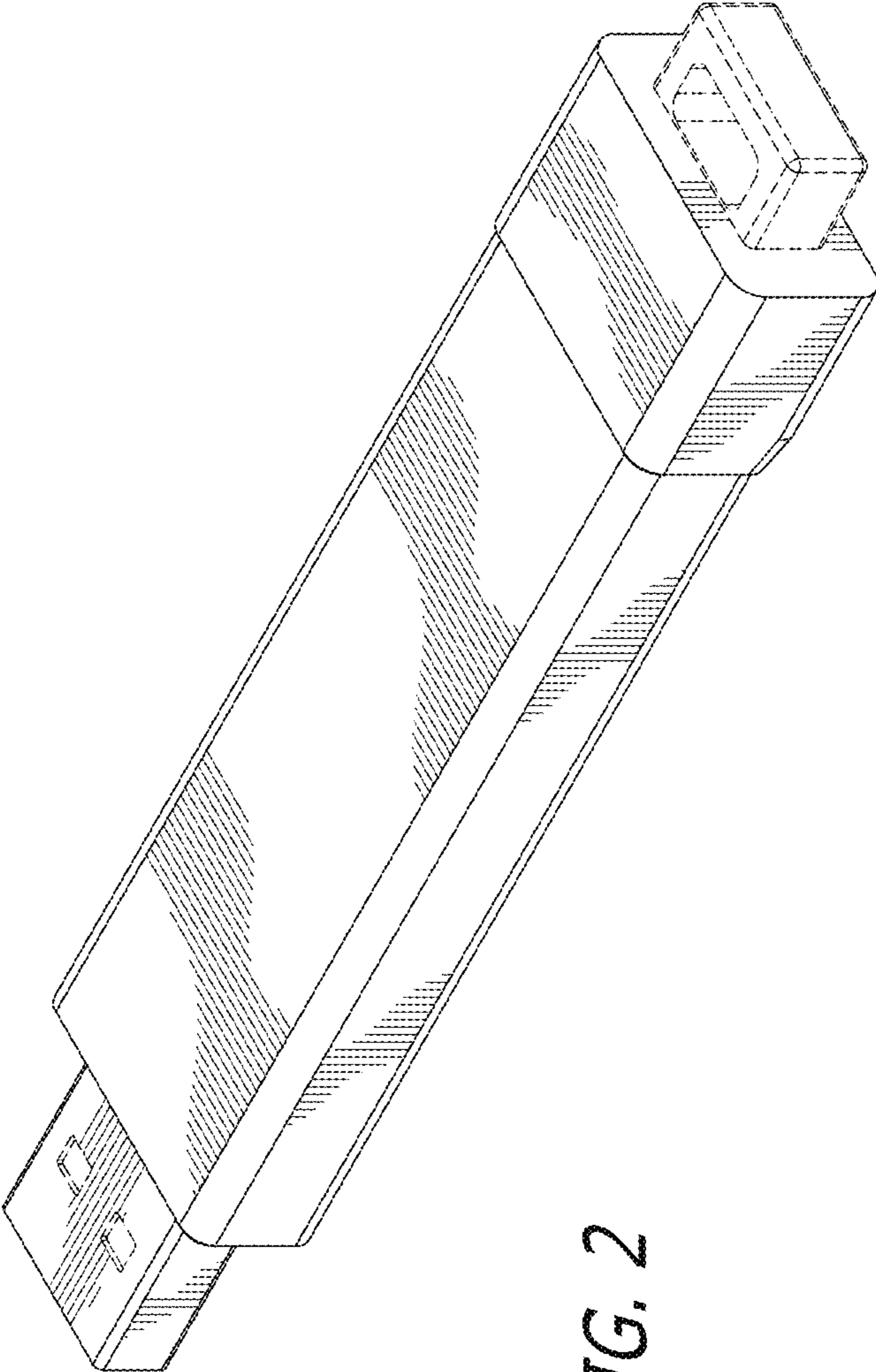


FIG. 2

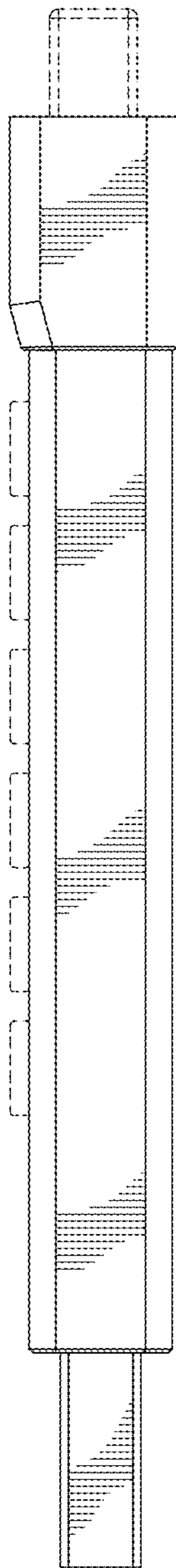


FIG. 3

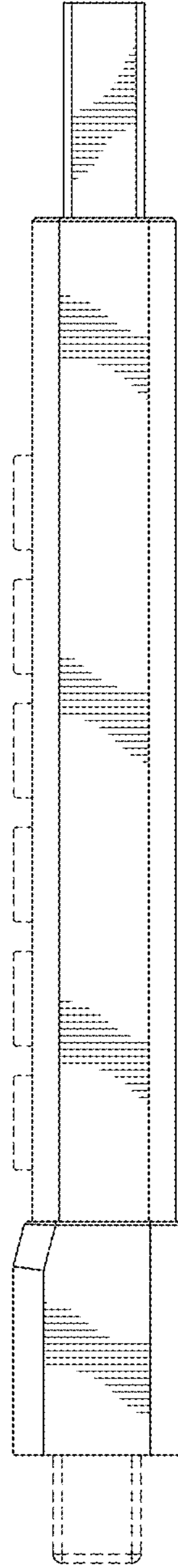


FIG. 4

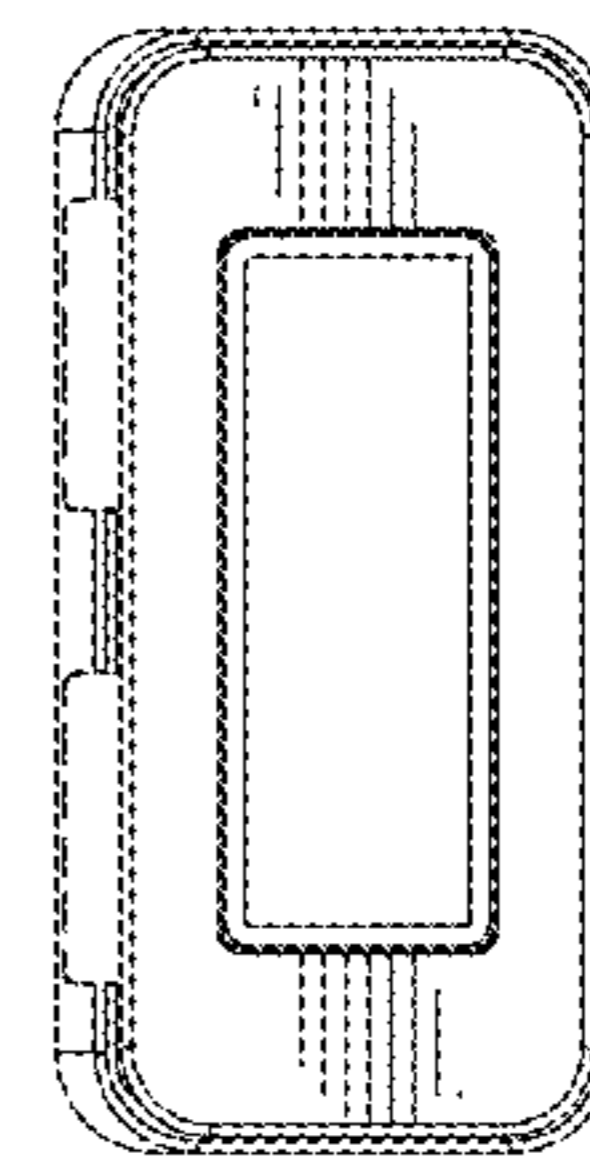


FIG. 5

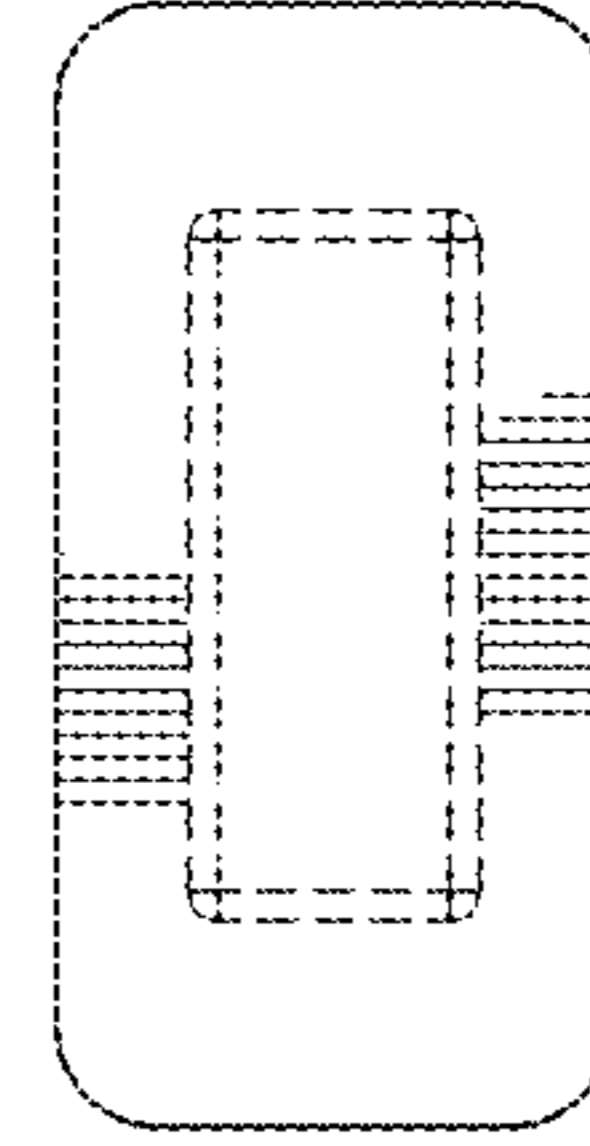


FIG. 6

