



US00D800136S

(12) **United States Design Patent** (10) **Patent No.:** **US D800,136 S**
Chen (45) **Date of Patent:** **** Oct. 17, 2017**

(54) **COMPUTER MONITOR STAND**

(56) **References Cited**

(71) Applicant: **Shenzhen ShengDi Development Co., Ltd.**, Shenzhen (CN)

U.S. PATENT DOCUMENTS

(72) Inventor: **Haiqiang Chen**, Yingde (CN)

D587,664	S	*	3/2009	Cometti	D14/126
D651,214	S	*	12/2011	Yoo	D14/448
D676,855	S	*	2/2013	Yoo	D14/448
D703,213	S	*	4/2014	Gifford	D14/447
D714,270	S	*	9/2014	Lee	D14/248
D717,289	S	*	11/2014	Takabatake	D14/252
D735,724	S	*	8/2015	Song	D14/432
D743,403	S	*	11/2015	Ehara	D14/432
D753,642	S	*	4/2016	Iimuro	D14/253
D753,643	S	*	4/2016	Kim	D14/253
D776,112	S	*	1/2017	Bae	D14/374
2003/0173242	A1	*	9/2003	Fisher, Jr.	G06F 1/1626 206/320

(73) Assignee: **SHENZHEN SHENGDI DEVELOPMENT CO., LTD.**, Shenzhen (CN)

(**) Term: **15 Years**

(21) Appl. No.: **29/568,313**

(22) Filed: **Jun. 16, 2016**

(51) **LOC (10) Cl.** **14-02**

(52) **U.S. Cl.**
USPC **D14/451**

(58) **Field of Classification Search**
USPC D14/371-382, 125-129, 335-337,
D14/447-452, 492, 239, 457, 439-441,
D14/432, 251-253; D8/349, 354, 363,
D8/373, 376, 380; 348/180, 184, 325,
348/739, 825; D12/407, 415; D3/218;
341/12

CPC G06F 3/0412; G06F 3/016; G06F 3/0488;
G06F 3/011; G06F 3/038; G06F 3/03543;
G06F 3/0338; G06F 3/0202; G06F
3/0219; G06F 3/0213; G06F 1/1616;
G06F 3/023; G06F 3/04883; G02F
1/13338; G02F 1/1313; G02F 1/1333;
G02F 1/135; G02F 1/132; G02F
1/133308; G02F 1/134309; G02F
1/13718; G09G 3/3648; G06K 15/1252;
B41J 2/465; G03F 7/70291; G02B
27/0172; G02B 5/30; G02B 2027/0118;
G02B 27/0101; F16M 13/02; F16M
13/00; F16M 11/10; F16M 11/04; F16M
2200/08; F16M 11/2021; A47B 21/031;
A47B 88/044; A47B 2021/0335; H02G
3/126; F16B 47/00; F16B 47/006; A47G
1/17; A47K 2201/00

See application file for complete search history.

(Continued)

Primary Examiner — Garth Rademaker

Assistant Examiner — Katie Stofko

(74) *Attorney, Agent, or Firm* — Pro-TECHTOR
International Services; Ian Oglesby

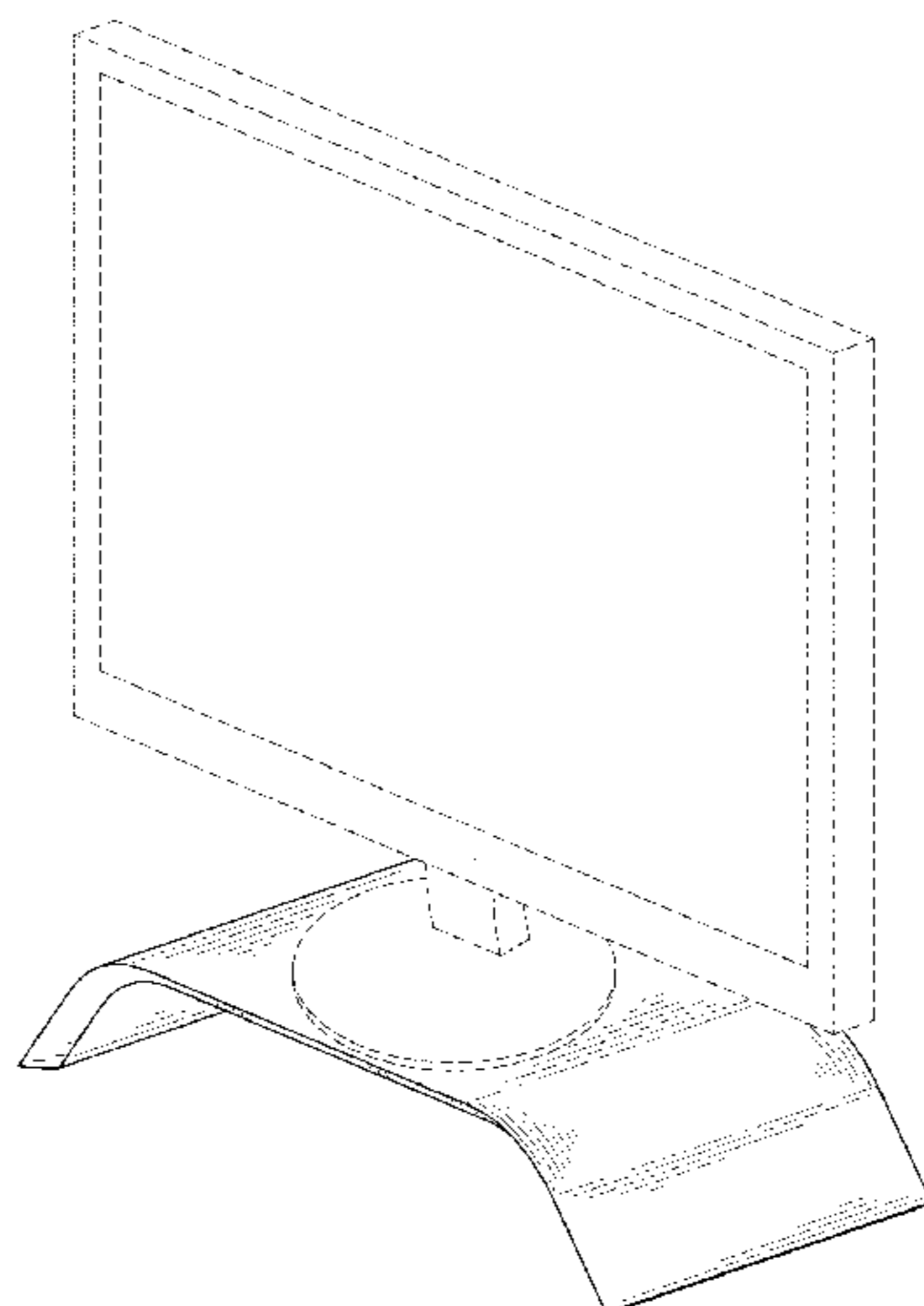
(57) **CLAIM**

The ornamental design for the computer monitor stand, as shown and described.

DESCRIPTION

FIG. 1 is a front perspective view of a computer monitor stand showing my new design;
FIG. 2 is a front elevational view thereof;
FIG. 3 is a rear elevational view thereof;
FIG. 4 is a left side elevational view thereof;
FIG. 5 is a right side elevational view thereof;
FIG. 6 is a top plan view thereof;
FIG. 7 is a bottom plan view thereof; and,
FIG. 8 is a using state reference view thereof.
The broken lines in FIG. 8 illustrate the environment of the claimed design and form no part thereof.

1 Claim, 8 Drawing Sheets



(56)

References Cited

U.S. PATENT DOCUMENTS

2014/0118271 A1* 5/2014 Lee G06F 3/0488
345/173

* cited by examiner

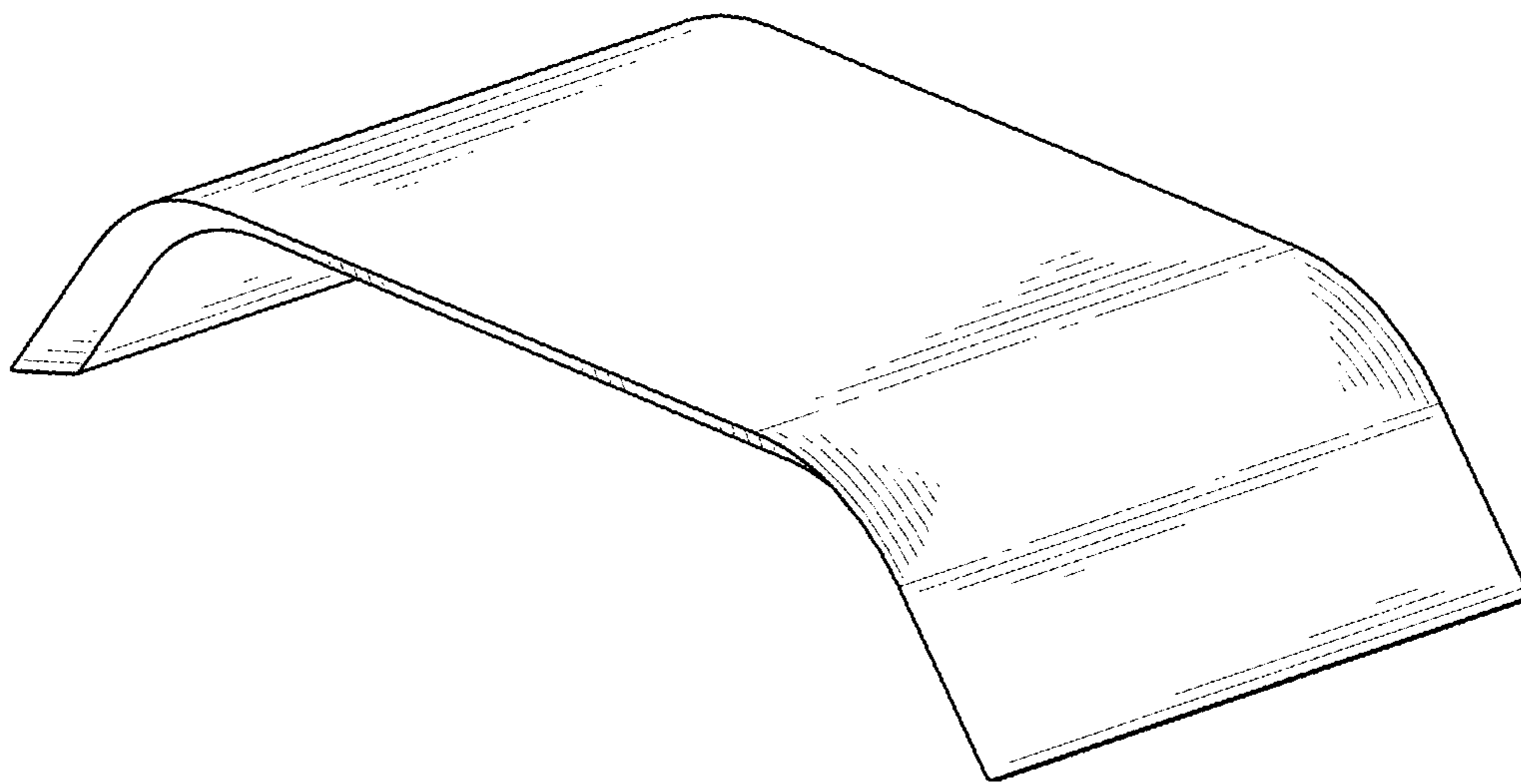


FIG. 1

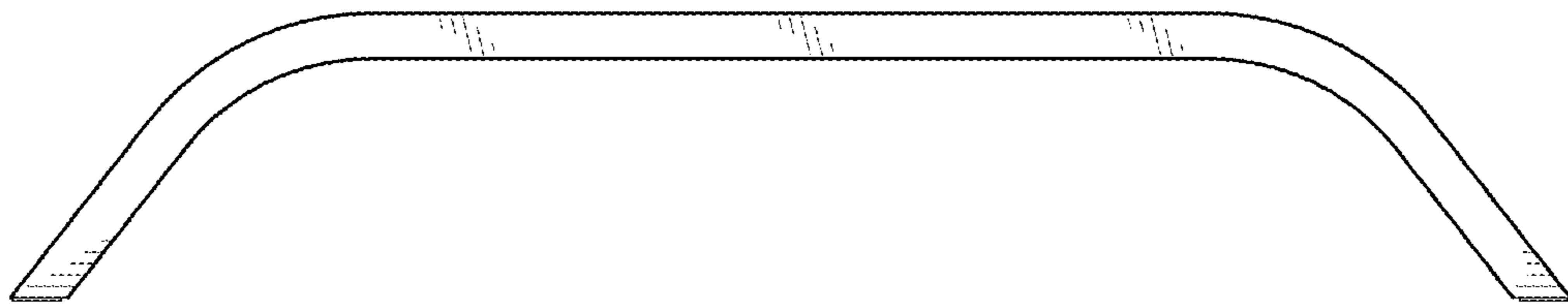


FIG. 2

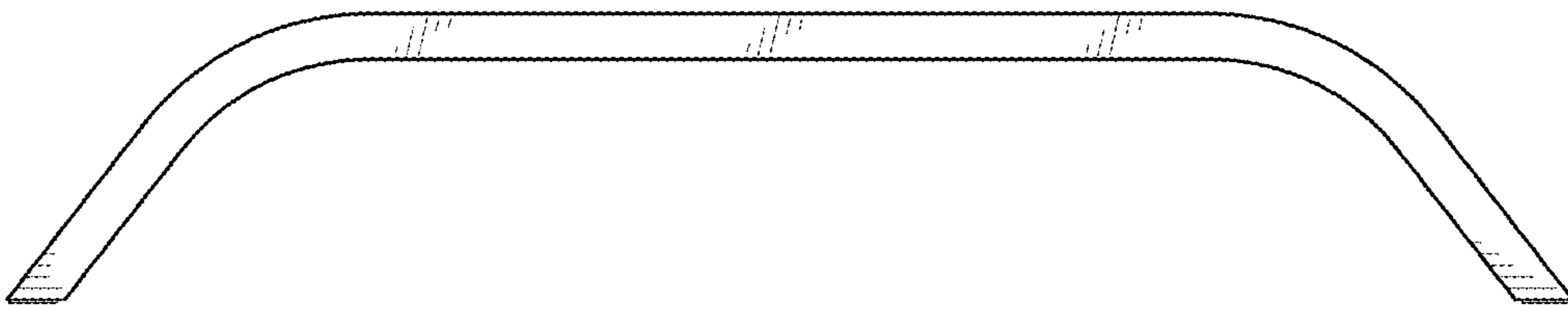


FIG. 3

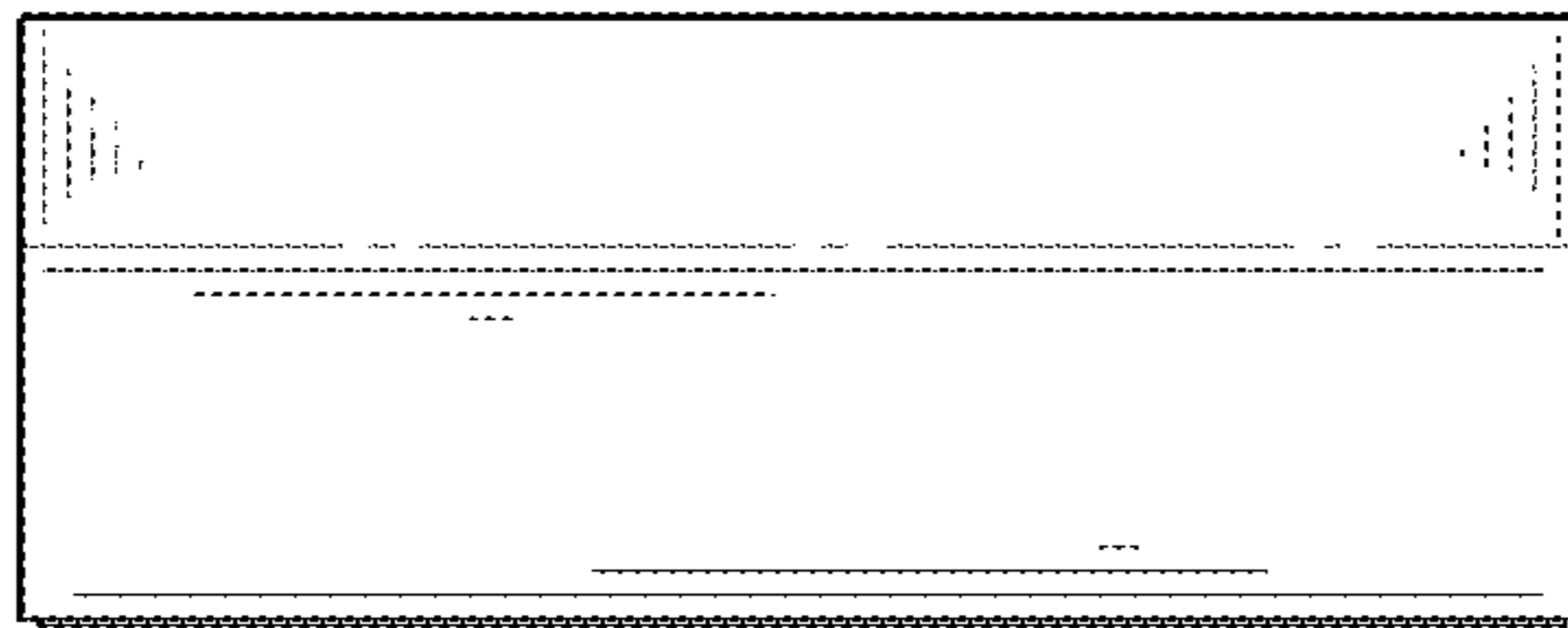


FIG. 4

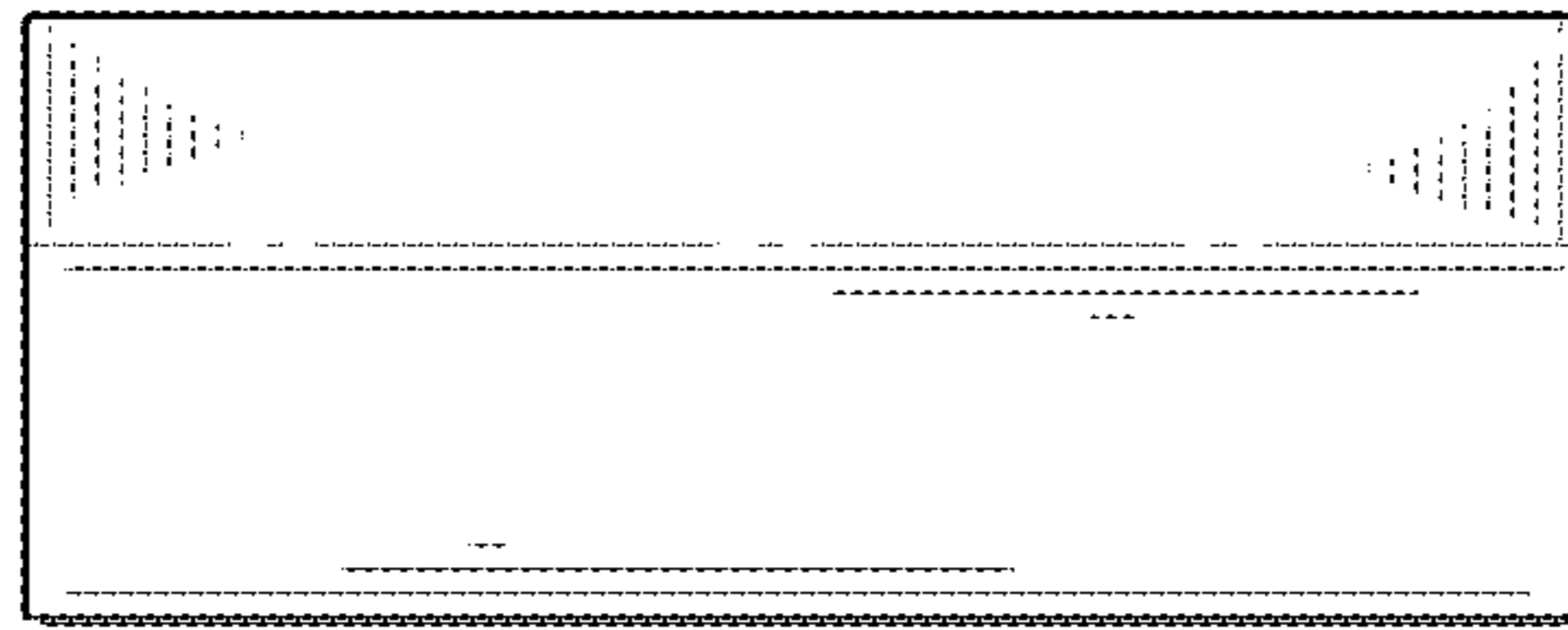


FIG. 5



FIG. 6

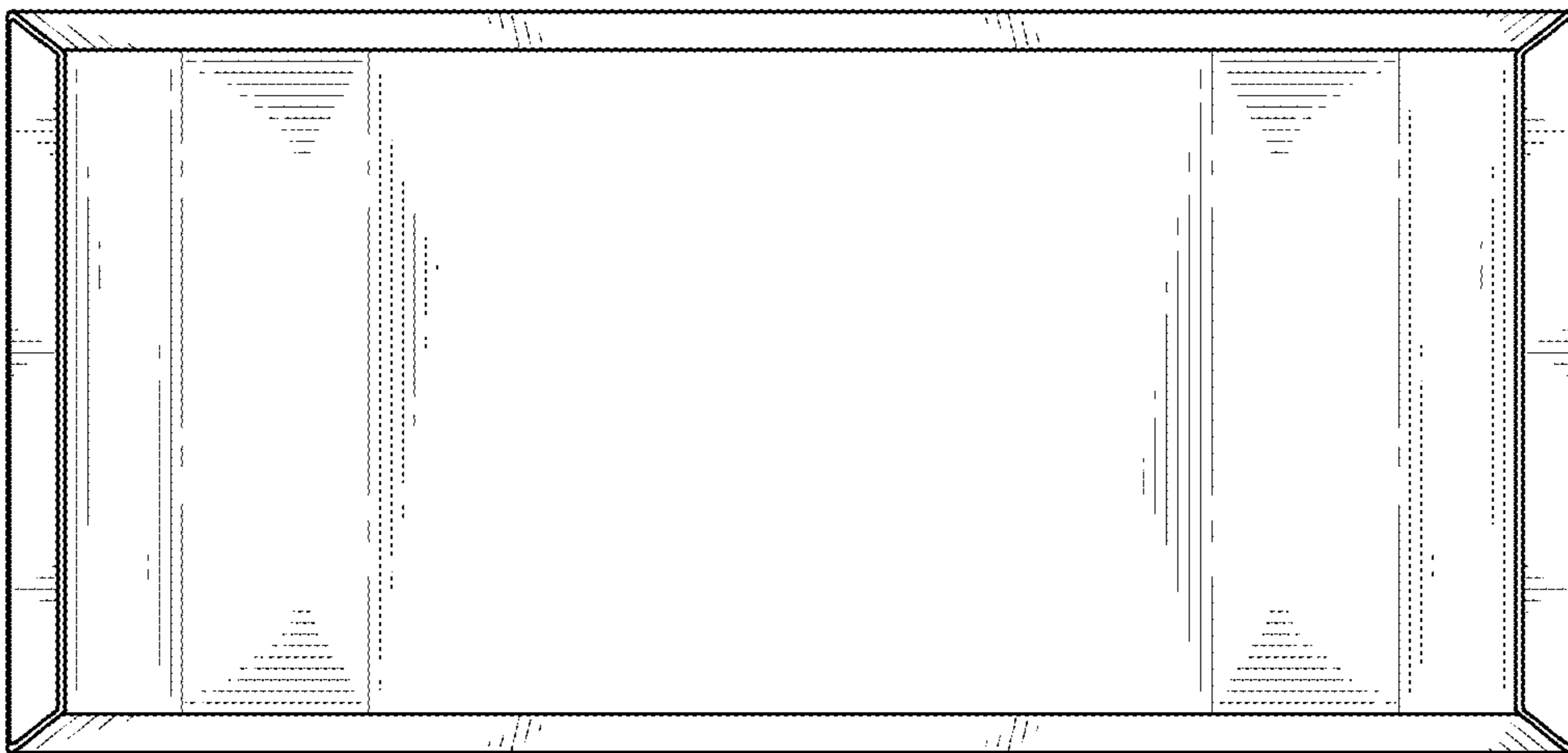


FIG. 7

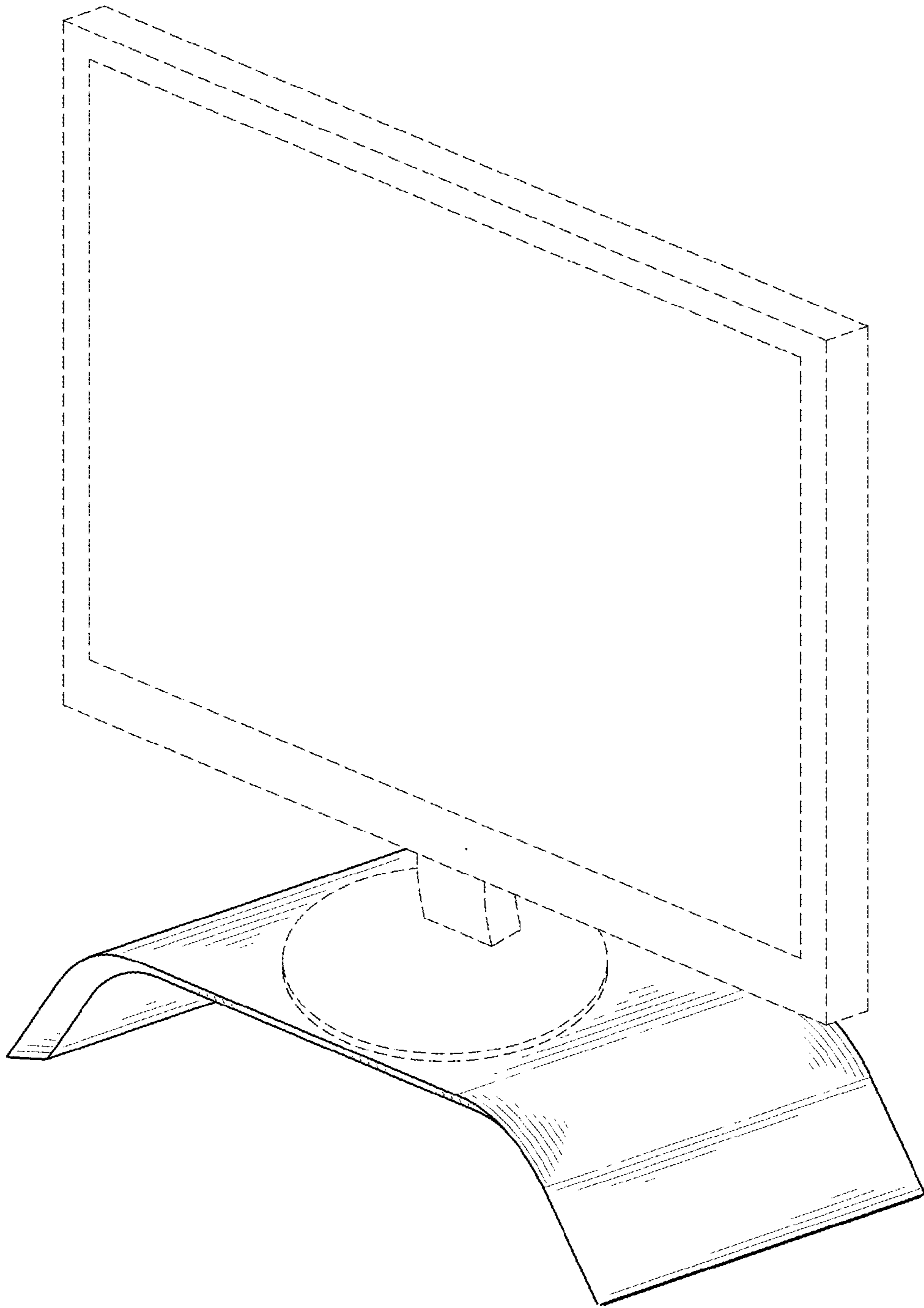


FIG. 8