



US00D800135S

(12) **United States Design Patent** (10) **Patent No.:** **US D800,135 S**
Ramey, III (45) **Date of Patent:** **** Oct. 17, 2017**

(54) **MONITOR MOUNT ASSEMBLY**
(71) Applicant: **Vu RYTE, Inc.**, Tyler, TX (US)
(72) Inventor: **Thomas B Ramey, III**, Tyler, TX (US)
(73) Assignee: **Vu RYTE, Inc.**, Tyler, TX (US)
(**) Term: **14 Years**

(56) **References Cited**
U.S. PATENT DOCUMENTS
D530,595 S * 10/2006 Lam D8/373
D549,232 S * 8/2007 Li D14/434
D553,483 S * 10/2007 Grey D8/380
D565,399 S * 4/2008 Grey D8/380
D610,437 S * 2/2010 Bremmon D8/373
D612,182 S * 3/2010 Bremmon D6/567
7,722,003 B2 * 5/2010 Ishizaki F16M 11/24
248/125.1

(21) Appl. No.: **29/515,407**

(Continued)

(22) Filed: **Jan. 22, 2015**

FOREIGN PATENT DOCUMENTS

(51) **LOC (10) Cl.** **14-02**

(52) **U.S. Cl.**
USPC **D14/451**

(58) **Field of Classification Search**
USPC D14/371-382, 125-129, 336, 337,
D14/447-452, 492, 335, 239, 457,
D14/439-441, 432, 251-253; D8/349,
D8/354, 363, 373, 376, 380; D21/333;
D12/415; D3/218; 348/180, 184, 325,
348/739, 825

CPC G06F 3/0412; G06F 3/016; G06F 3/0488;
G06F 3/011; G06F 3/038; G06F 3/03543;
G06F 3/0338; G06F 3/0202; G06F
3/0219; G06F 3/0213; G06F 1/1616;
G06F 3/023; G06F 3/04883; G02F
1/13338; G02F 1/1313; G02F 1/1333;
G02F 1/135; G02F 1/132; G02F
1/133308; G02F 1/134309; G02F
1/13718; G09G 3/3648; G06K 15/1252;
B41J 2/465; G03F 7/70291; G02B
27/0172; G02B 5/30; G02B 2027/0118;
G02B 27/0101; F16M 13/02; F16M
13/00; F16M 11/10; F16M 11/04; F16M
2200/08; F16M 11/2021; A47B 21/0314;
A47B 88/044; A47B 2021/0335; H02G
3/126; F16B 47/00; F16B 47/006; A47G
1/17; A47K 2201/00

EP 2168779 3/2010
Primary Examiner — Garth Rademaker
Assistant Examiner — Katie Stofko
(74) *Attorney, Agent, or Firm* — Scott T. Griggs; Griggs
Bergen LLP

(57) **CLAIM**

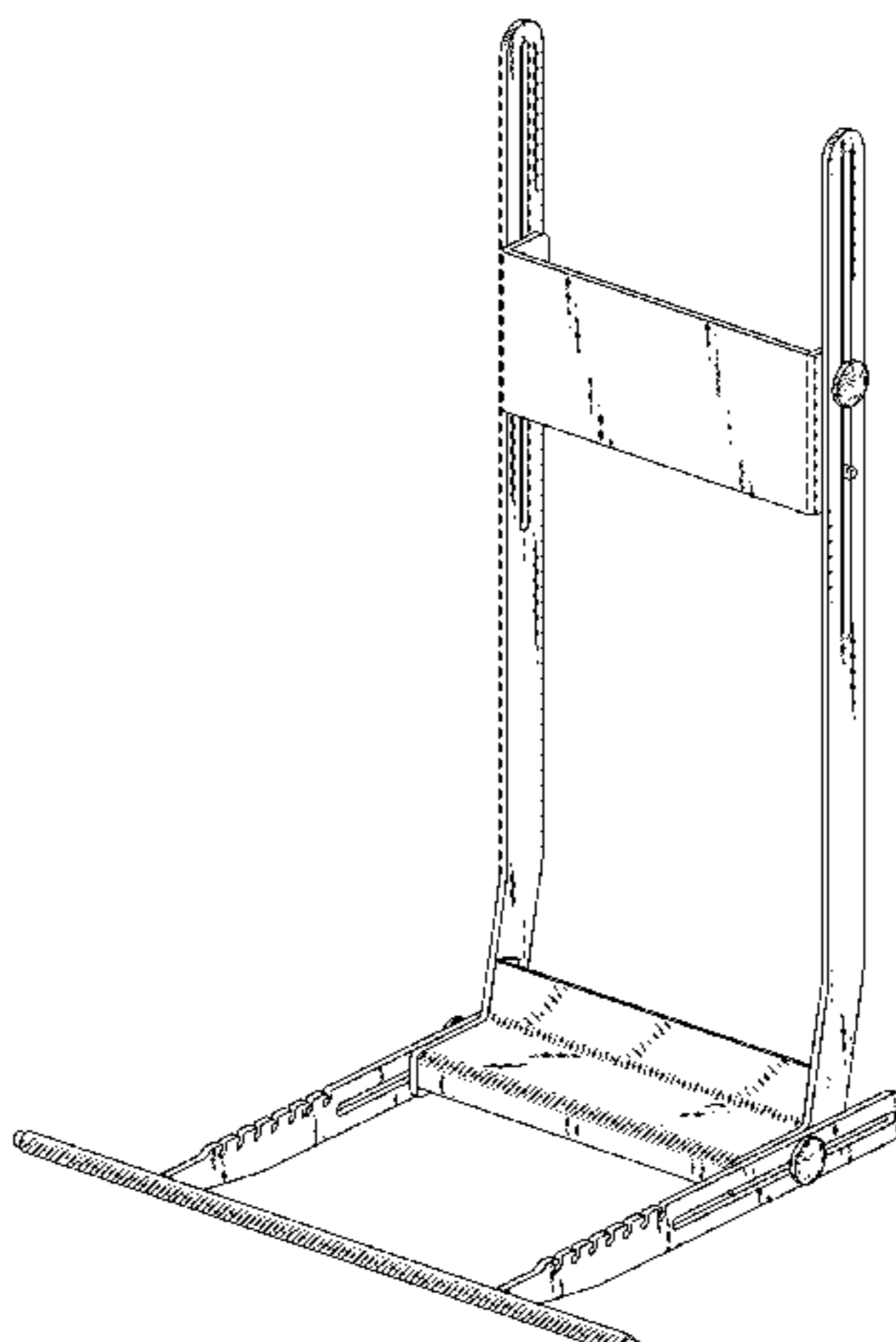
The ornamental design for a monitor mount assembly, as shown and described.

DESCRIPTION

FIG. 1 is a front perspective view of a monitor mount assembly;
FIG. 2 is a front elevation view of a monitor mount assembly shown in FIG. 1;
FIGS. 3 is a rear elevation view of a monitor mount assembly shown in FIG. 1;
FIG. 4 is a left side elevation view of a monitor mount assembly shown in FIG. 1, the right side view being a mirror image thereof;
FIG. 5 is a top plan view of a monitor mount assembly as shown in FIG. 1; and,
FIG. 6 is a bottom plan view of a monitor mount assembly as shown in FIG. 1.

(Continued)

See application file for complete search history.



The broken lines in the drawings illustrate portions of the monitor mount assembly that form no part of the claimed design.

1 Claim, 5 Drawing Sheets

(56) **References Cited**

U.S. PATENT DOCUMENTS

D633,505 S *	3/2011	van Alphen	D14/451
D691,121 S *	10/2013	Luijben	D14/239
D727,066 S *	4/2015	Cohen	D6/548
D742,863 S *	11/2015	Aoyagi	D14/239
D748,640 S *	2/2016	Hart	D14/451
D753,097 S *	4/2016	Hochman	D14/239
D782,490 S *	3/2017	Lee	D14/447

* cited by examiner

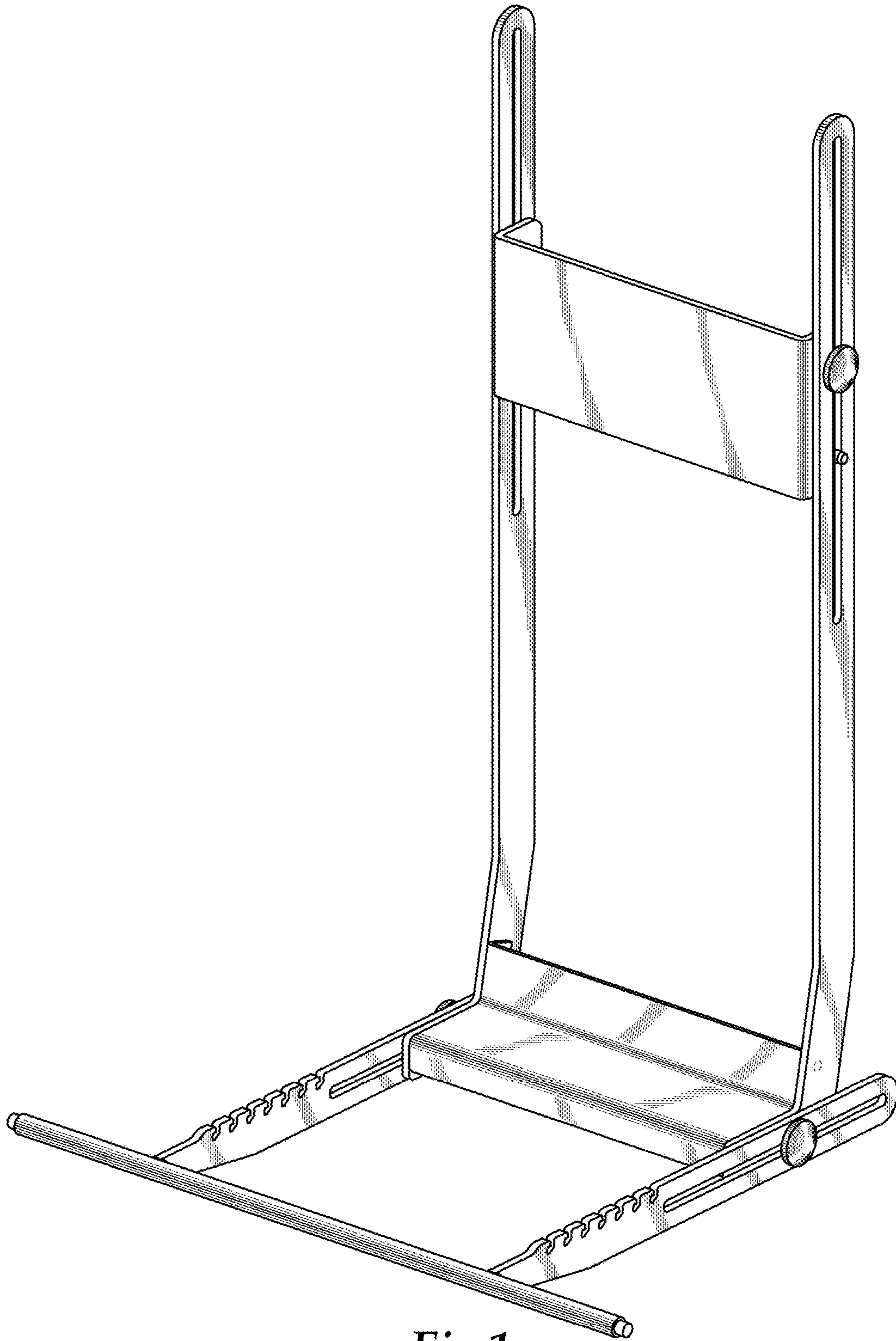


Fig.1

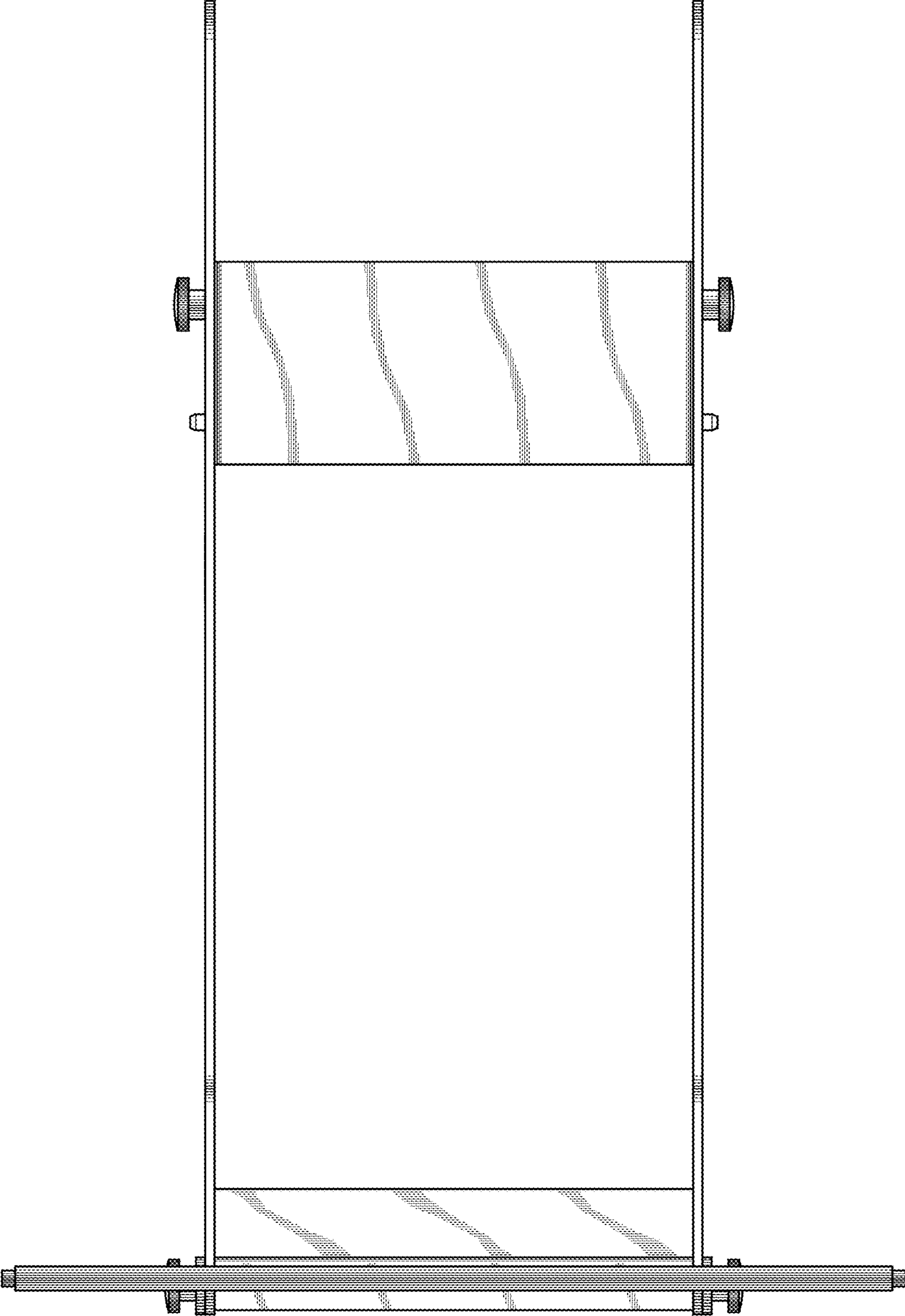


Fig.2

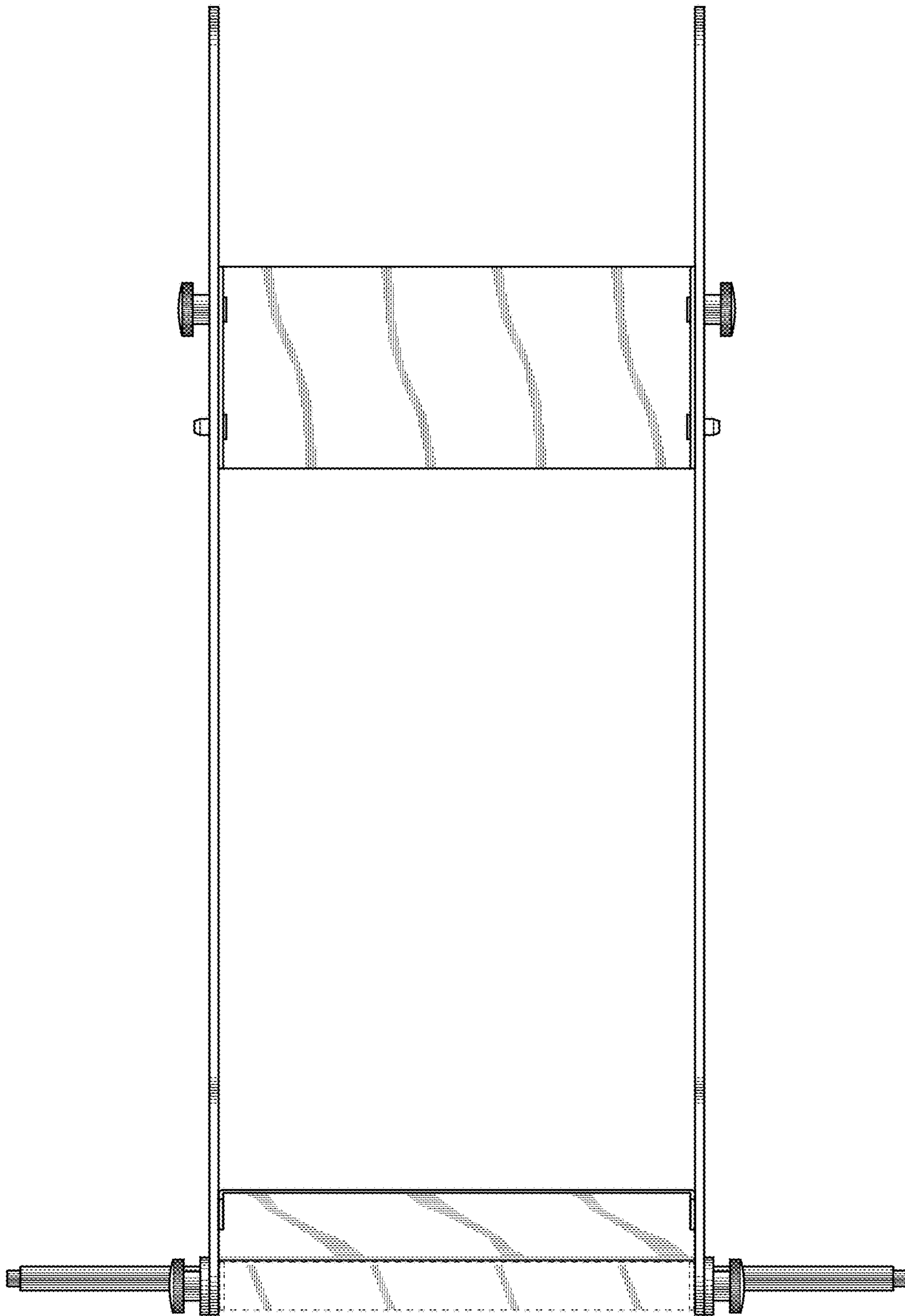


Fig.3

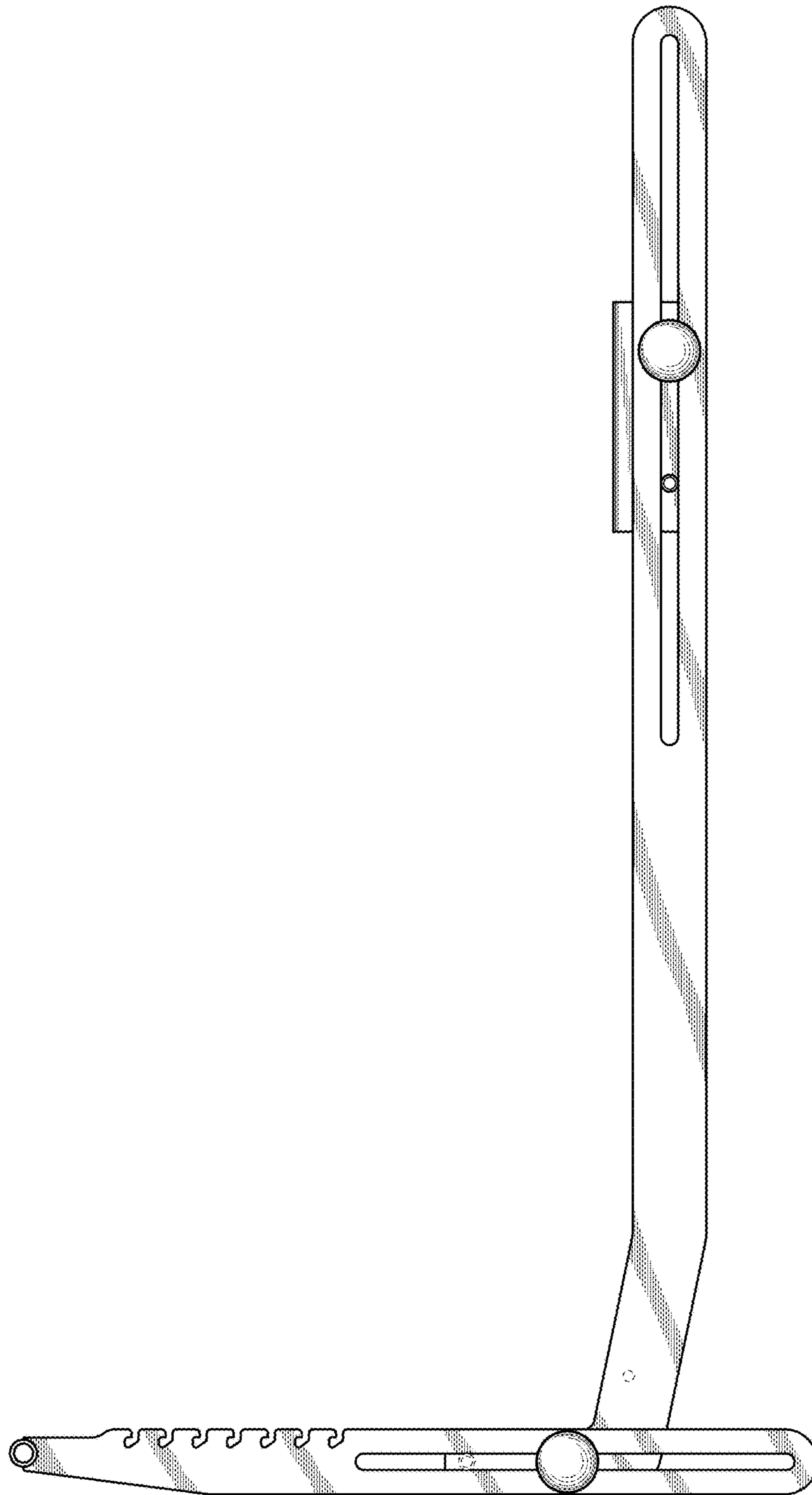


Fig.4

