

US00D800133S

(12) **United States Design Patent** (10) **Patent No.:** **US D800,133 S**  
**Wright et al.** (45) **Date of Patent:** **\*\* Oct. 17, 2017**

(54) **CASE**  
(71) Applicant: **CATALYST LIFESTYLE LIMITED,**  
North Point (CN)  
(72) Inventors: **Joshua Wright,** Hong Kong (CN);  
**June Lai,** Hong Kong (CN)  
(73) Assignee: **CATALYST LIFESTYLE LIMITED,**  
North Point, Hong Kong (CN)

D694,244 S 11/2013 Magness et al.  
D696,234 S 12/2013 Wright  
D703,211 S 4/2014 Weller et al.  
D706,272 S 6/2014 Poon  
D718,316 S \* 11/2014 Veltz ..... D14/440  
D724,094 S 3/2015 Blochinger et al.  
D725,117 S 3/2015 Melanson et al.  
D729,785 S 5/2015 Magness et al.  
(Continued)

(\*\*) Term: **15 Years**

(21) Appl. No.: **29/560,190**

(22) Filed: **Apr. 4, 2016**

(51) **LOC (10) Cl.** ..... **14-02**

(52) **U.S. Cl.**  
USPC ..... **D14/440**

(58) **Field of Classification Search**  
USPC ..... D14/440, 250, 447; 206/45.23, 320,  
206/45.2; 361/679.55; 294/25; 224/218  
CPC .... G06F 1/1628; G06F 1/1626; G06F 1/1667;  
A47B 23/044; H04B 1/3888; A45C  
11/00; A45C 3/02; H05K 5/0217  
See application file for complete search history.

(56) **References Cited**

**U.S. PATENT DOCUMENTS**

7,180,735 B2 2/2007 Thomas et al.  
7,907,394 B2 3/2011 Richardson et al.  
7,941,196 B2 5/2011 Kawasaki et al.  
D641,756 S 7/2011 Hsieh et al.  
D643,433 S 8/2011 Hsieh et al.  
D643,843 S 8/2011 Hsieh et al.  
D647,526 S 10/2011 Vandiver et al.  
8,164,899 B2 4/2012 Yamaguchi et al.  
8,269,104 B2 9/2012 Choraku et al.  
D670,702 S \* 11/2012 Zhang ..... D14/440  
D673,159 S 12/2012 McCarthy et al.  
D675,210 S 1/2013 Kim  
D679,714 S 4/2013 Smith et al.

**OTHER PUBLICATIONS**

International Search Report—Written Opinion, PCT/US15/25549,  
Dated Jul. 14, 2015, 6 pages.

(Continued)

*Primary Examiner* — Cynthia Underwood

(74) *Attorney, Agent, or Firm* — Dinsmore & Shohl LLP

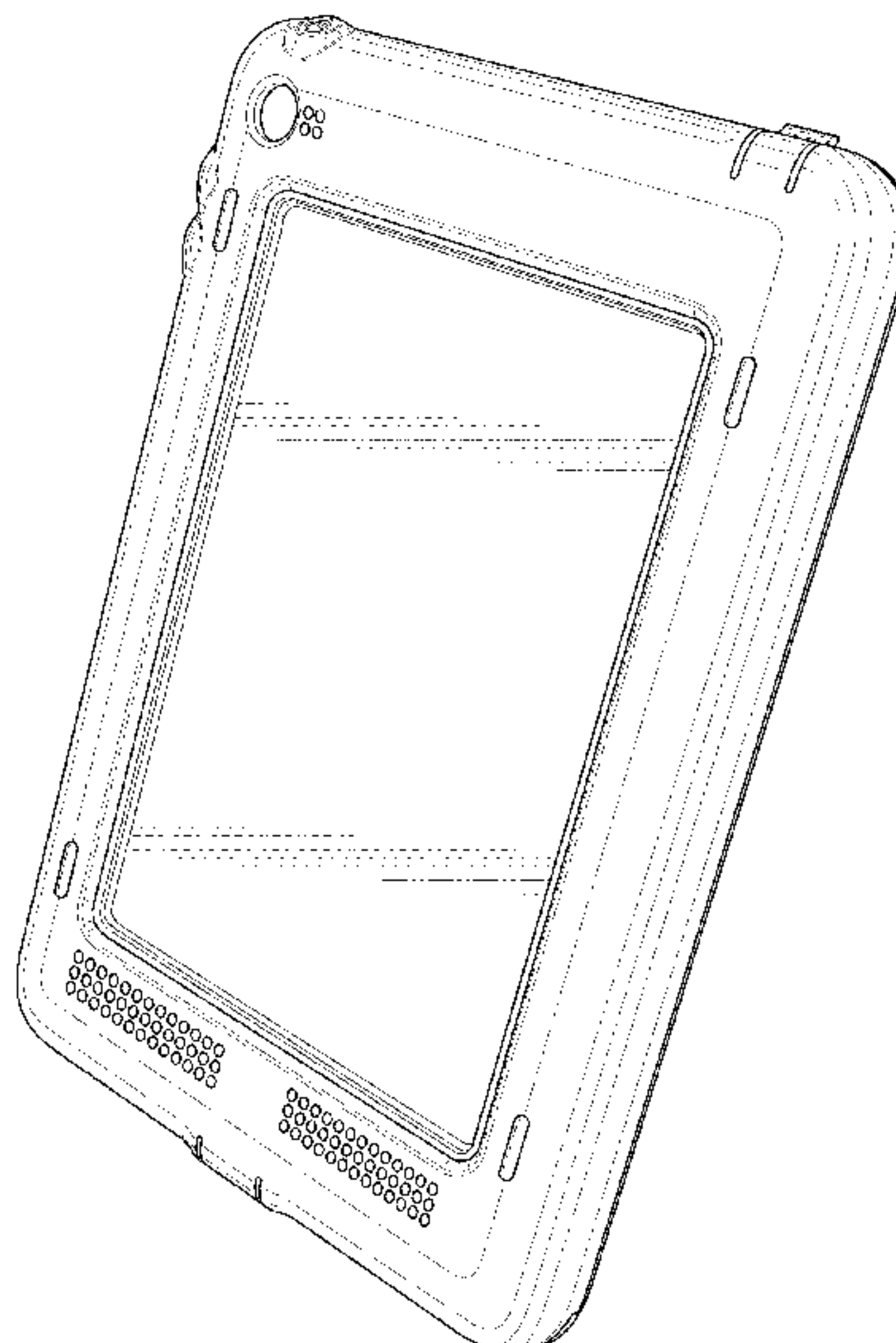
(57) **CLAIM**

The ornamental design for a case, as shown and described.

**DESCRIPTION**

FIG. 1 is a perspective view of a front, one end and one side of the case;  
FIG. 2 is a perspective view of a rear, an opposite end, and the one side of the case of FIG. 1;  
FIG. 3 is a perspective view of the front, and an opposite side of the case of FIG. 1;  
FIG. 4 is a planar view of the rear of the case of FIG. 1;  
FIG. 5 is a planar view of the front of the case of FIG. 1;  
FIG. 6 is a planar view of the opposite side of the case of FIG. 1;  
FIG. 7 is a planar view of the side of the case of FIG. 1;  
FIG. 8 is a planar view of the opposite end of the case of FIG. 1; and,  
FIG. 9 is a planar view of the end of the case of FIG. 1.  
The broken lines represent environment that forms no part of the claim.

**1 Claim, 7 Drawing Sheets**



(56)

**References Cited**

U.S. PATENT DOCUMENTS

D731,493 S 6/2015 Mills  
D732,042 S \* 6/2015 Chen ..... D14/440  
D735,207 S 7/2015 Dahlberg  
9,077,013 B2 7/2015 Huang et al.  
D736,777 S 8/2015 Rayner  
9,107,484 B2 8/2015 Chaney  
9,123,935 B2 9/2015 Huang  
9,165,550 B2 \* 10/2015 Richardson ..... G10K 11/18  
D755,187 S \* 5/2016 Shannon, III ..... D14/440  
D759,658 S 6/2016 Lai et al.  
9,444,506 B2 9/2016 Lai et al.  
D781,863 S 3/2017 Lai et al.  
2009/0009945 A1 1/2009 Johnson et al.  
2009/0215412 A1 8/2009 Liu et al.  
2010/0311475 A1 12/2010 Takatsuka et al.  
2011/0024315 A1 2/2011 Kim  
2012/0043235 A1 2/2012 Klement  
2012/0099266 A1 4/2012 Reber et al.  
2012/0118773 A1 5/2012 Rayner  
2012/0325723 A1 12/2012 Carnevali  
2013/0063004 A1 3/2013 Lai et al.  
2013/0271902 A1 10/2013 Lai et al.  
2014/0016217 A1 1/2014 Rayner

OTHER PUBLICATIONS

International Search Report, Written Opinion—PCT/US2016/  
045486, Dated Nov. 1, 2016, 10 pages.

\* cited by examiner

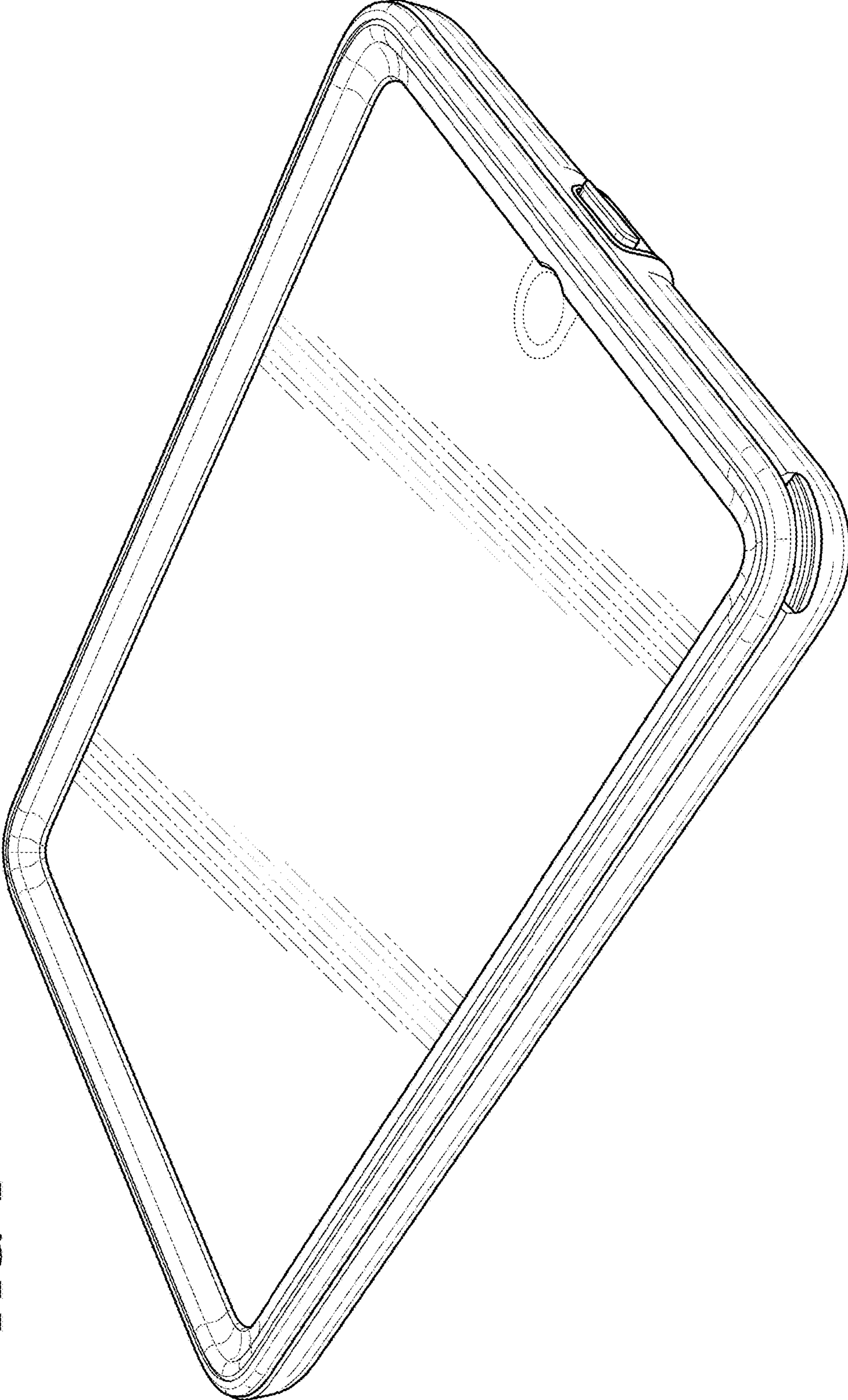
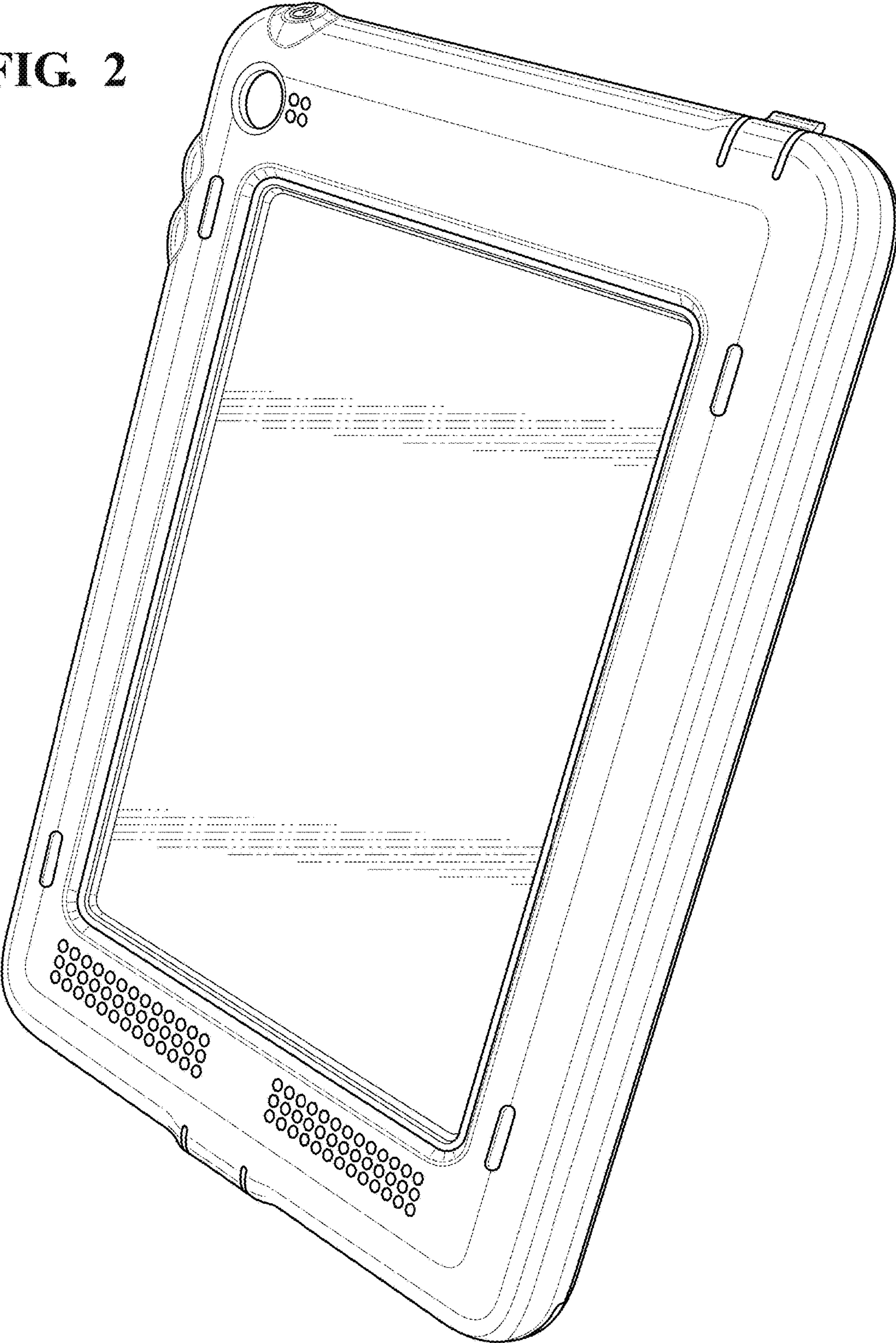


FIG. 1



FIG. 2



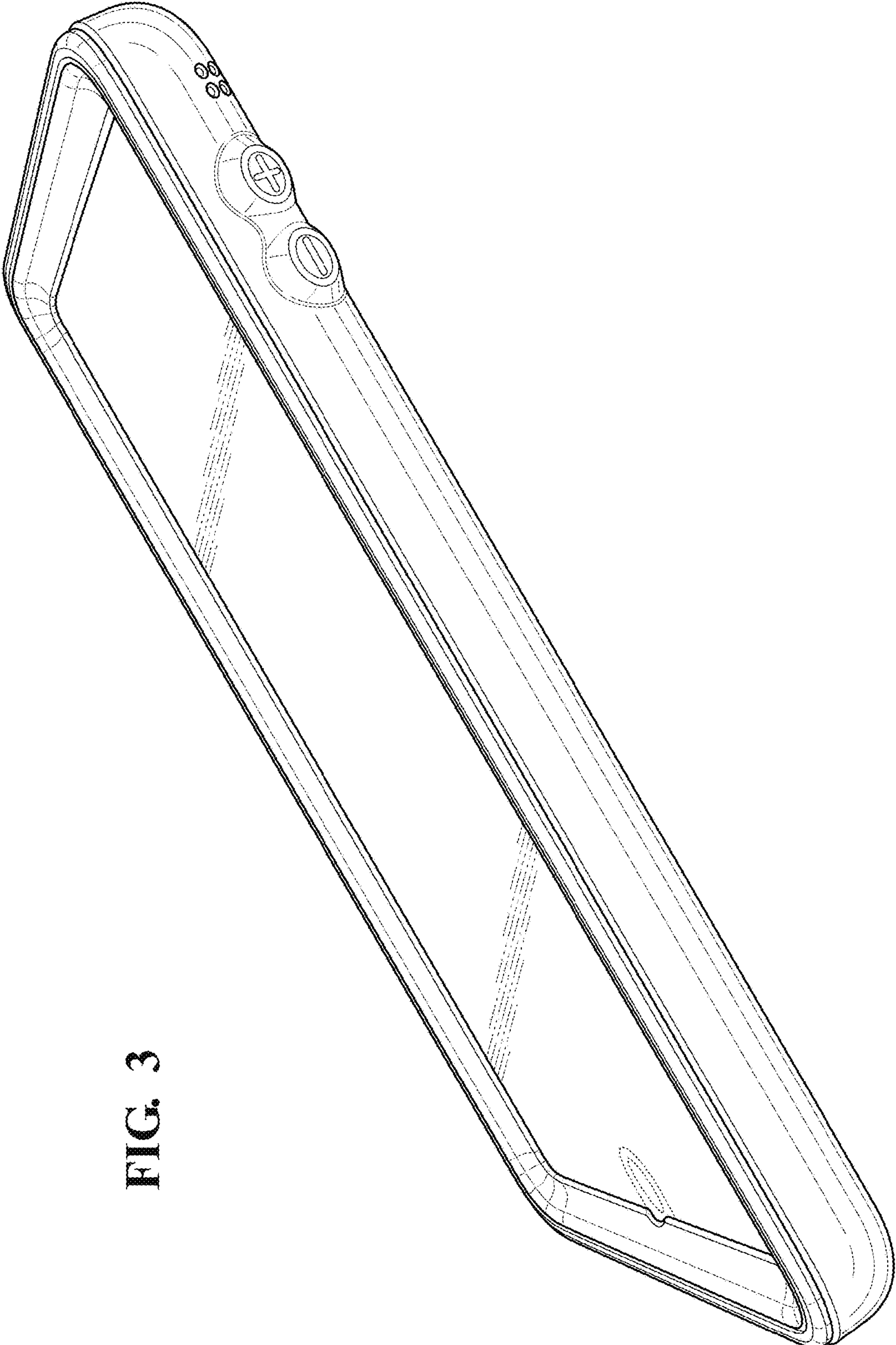


FIG. 3

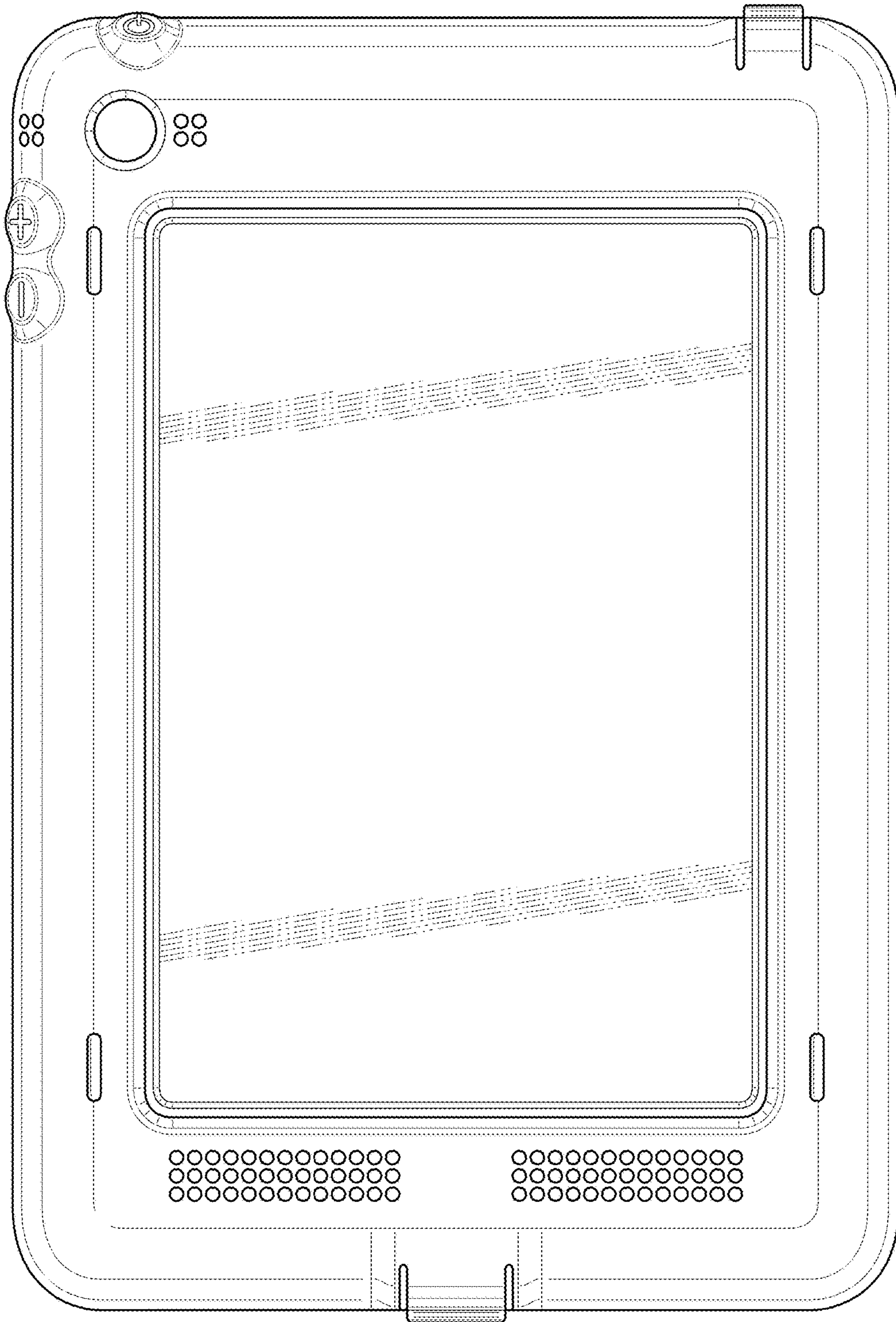


FIG. 4



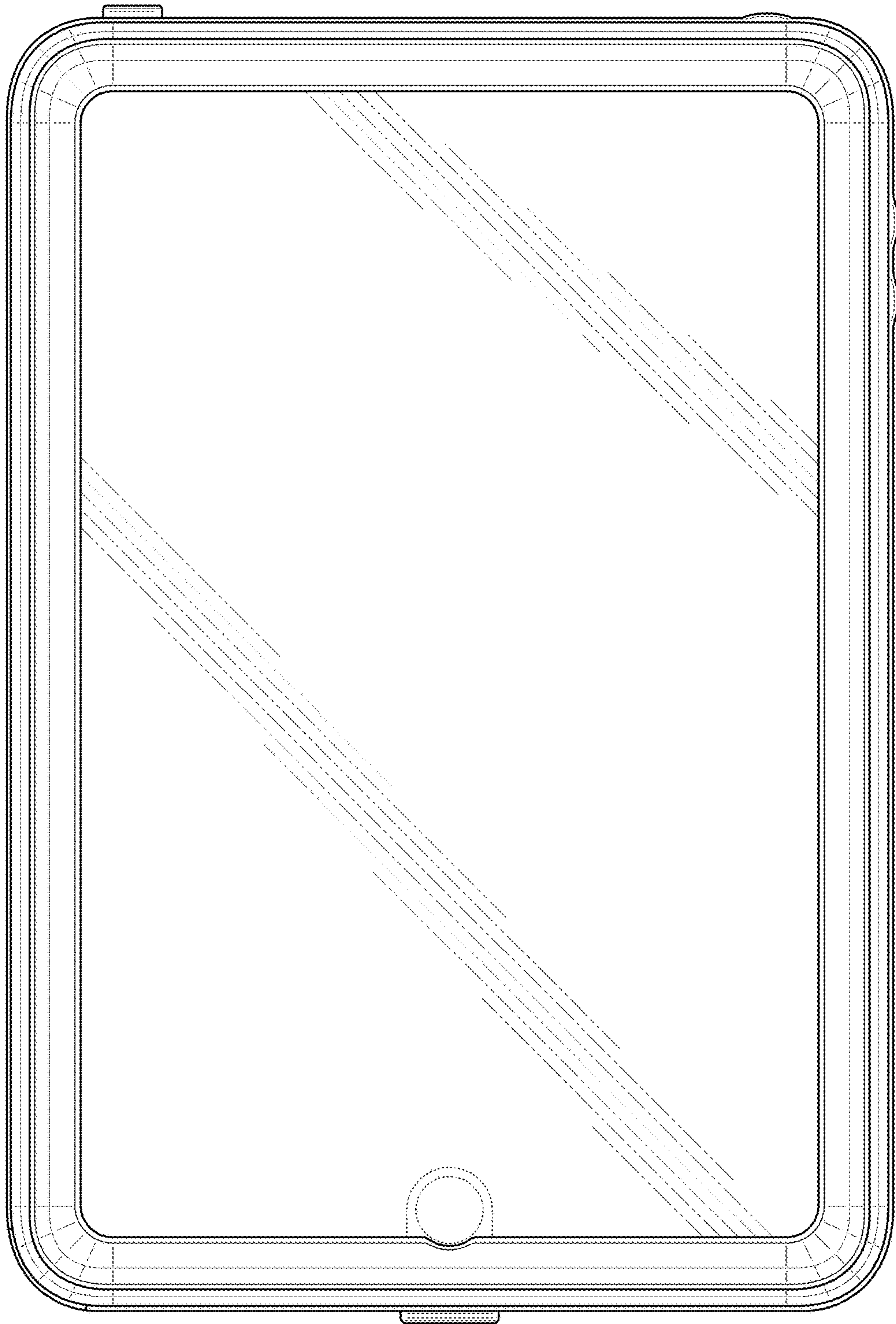
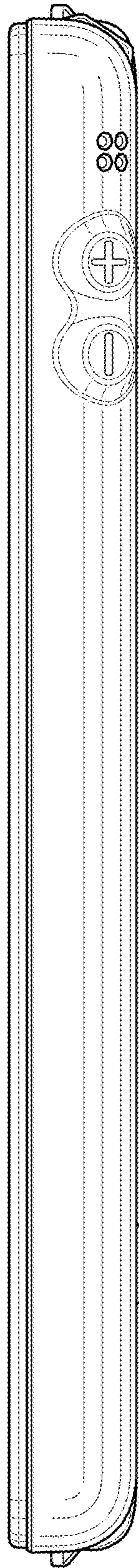
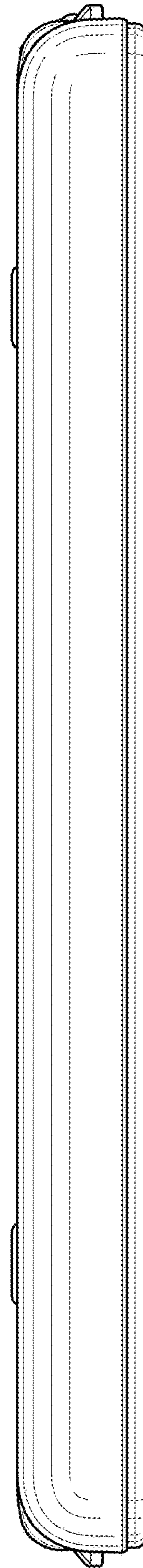


FIG. 5

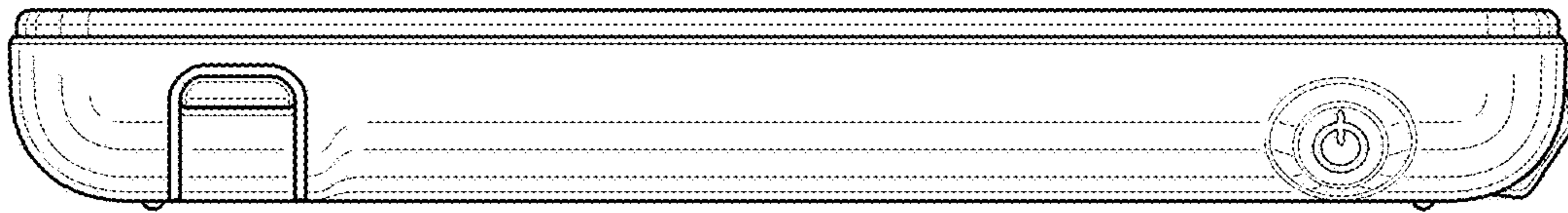
**FIG. 6**



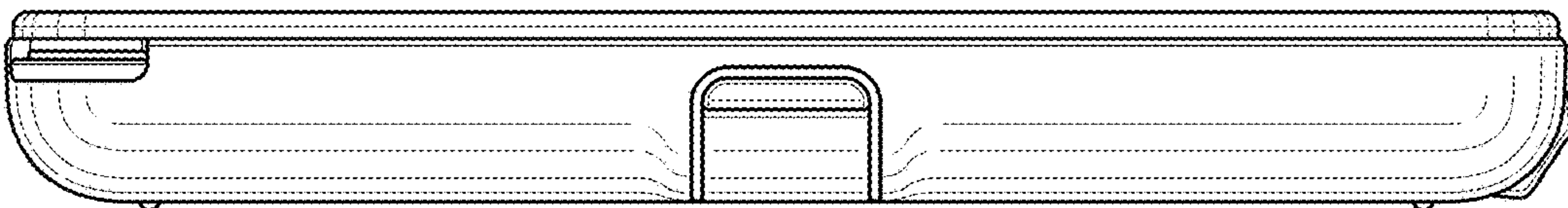
**FIG. 7**







**FIG. 8**



**FIG. 9**