



US00D800129S

(12) **United States Design Patent** (10) **Patent No.:** **US D800,129 S**
Wadsworth et al. (45) **Date of Patent:** **** Oct. 17, 2017**

(54) **OVERLAY**

(71) Applicant: **Belkin International, Inc.**, Playa Vista, CA (US)

(72) Inventors: **John F. Wadsworth**, Burbank, CA (US); **Yuhua Lin**, Changzhou (CN)

(73) Assignee: **BELKIN INTERNATIONAL, INC.**, Playa Vista, CA (US)

(**) Term: **15 Years**

(21) Appl. No.: **29/566,352**

(22) Filed: **May 27, 2016**

(51) **LOC (10) Cl.** **14-02**

(52) **U.S. Cl.**
USPC **D14/432**

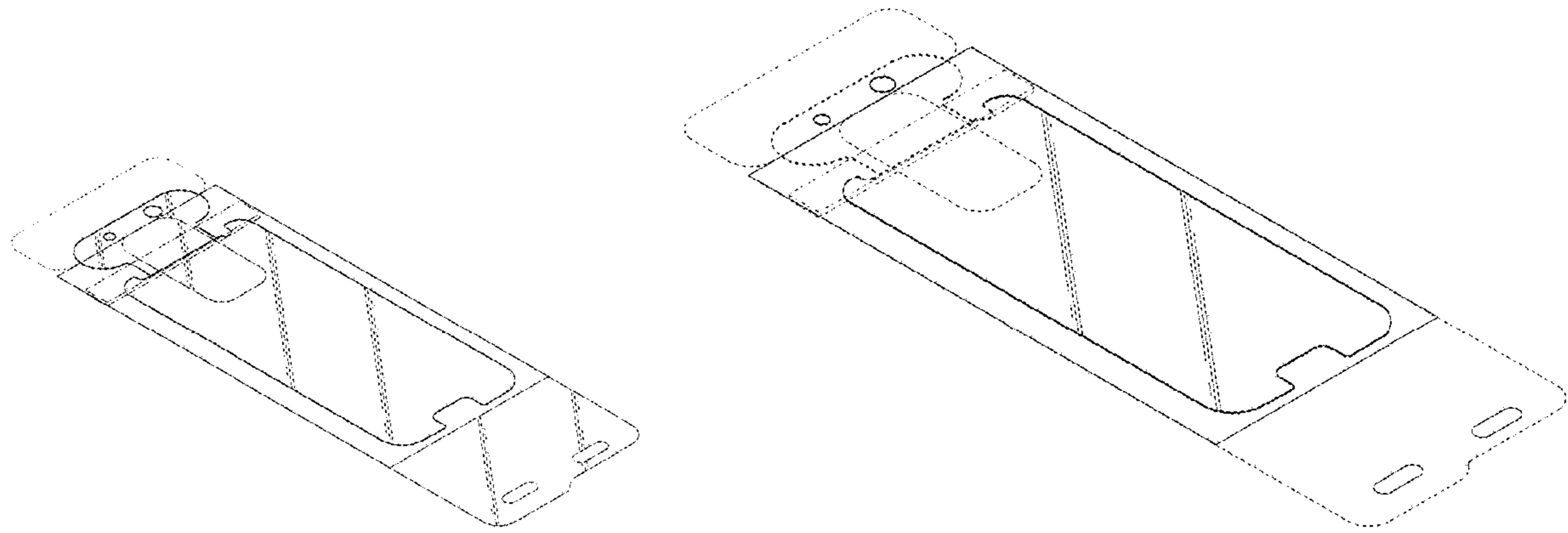
(58) **Field of Classification Search**
 USPC D14/316-319, 432-439, 442, 451-454, D14/496, 495, 391, 385, 367, 356; D8/331, 330; D18/50, 4.6, 4.5; 439/630, 439/635, 639, 160; 360/2; 235/492, 486, 235/479, 380
 CPC G06F 1/1643; G06F 1/169; H04B 1/3888
 See application file for complete search history.

(56) **References Cited**

U.S. PATENT DOCUMENTS

4,285,559 A 8/1981 Koch
 D305,648 S 1/1990 Edington
 4,895,231 A 1/1990 Yamaguchi et al.
 5,069,732 A 12/1991 Levine
 5,680,709 A 10/1997 Stone
 5,805,251 A 9/1998 Ozawa
 6,406,758 B1 6/2002 Bottari et al.
 7,084,859 B1 8/2006 Pryor
 D598,024 S 8/2009 Scott et al.
 D601,959 S 10/2009 Lee
 D601,960 S 10/2009 Dai
 7,697,827 B2 4/2010 Konicek
 7,957,524 B2 6/2011 Chipping
 7,966,861 B2 6/2011 Yee et al.
 D641,210 S * 7/2011 Hamilton D7/554.3

8,044,942 B1 10/2011 Leonhard et al.
 8,047,365 B1 11/2011 Lin
 D651,214 S 12/2011 Yoo et al.
 D651,791 S * 1/2012 Cataldo D3/218
 D665,809 S 8/2012 Wang et al.
 8,369,072 B1 2/2013 Alonzo et al.
 8,393,377 B2 3/2013 Patel et al.
 8,517,367 B1 8/2013 Napier
 D690,704 S 10/2013 Padilla et al.
 8,564,538 B2 10/2013 Wadsworth
 D694,240 S * 11/2013 Cho D14/432
 8,640,759 B2 * 2/2014 Chen B29C 63/0004 156/538
 8,675,353 B1 3/2014 Alonzo et al.
 D707,217 S 6/2014 Toulotte
 D710,843 S 8/2014 Akana
 D713,397 S 9/2014 Du et al.
 D714,053 S 9/2014 Yoo
 8,821,659 B2 9/2014 Ng et al.
 D715,301 S 10/2014 Ashcraft et al.
 D720,353 S 12/2014 Nakamura
 D721,359 S 1/2015 Kim
 8,931,770 B1 1/2015 Kaminski
 9,010,396 B2 * 4/2015 Patel B29C 63/0004 156/443
 D729,235 S 5/2015 Nagao et al.
 9,089,085 B2 7/2015 Patel et al.
 9,159,260 B2 10/2015 Oh
 D743,402 S * 11/2015 Ehara D14/432
 D751,556 S 3/2016 Conley et al.
 D751,557 S 3/2016 Lane
 D759,640 S 6/2016 Wadsworth
 D767,550 S * 9/2016 Beaupre D14/250
 D776,123 S * 1/2017 Akana D14/440
 D777,714 S * 1/2017 Akana D14/250
 D778,869 S * 2/2017 Kim D14/138 G
 D781,861 S 3/2017 Lane et al.
 D783,024 S 4/2017 Conley et al.
 9,662,860 B2 5/2017 Wadsworth
 9,688,016 B2 6/2017 Rostami
 9,701,062 B2 7/2017 Wadsworth et al.
 9,701,096 B2 7/2017 Beaupre
 2002/0054030 A1 5/2002 Murphy
 2004/0109096 A1 6/2004 Anderson et al.
 2004/0246386 A1 12/2004 Thomas et al.
 2005/0030296 A1 2/2005 Stohrer et al.
 2005/0164148 A1 7/2005 Sinclair
 2007/0013662 A1 1/2007 Fauth
 2007/0058990 A1 3/2007 Weaver et al.
 2007/0115621 A1 5/2007 Guillen
 2007/0229962 A1 10/2007 Mason, Jr.
 2007/0247793 A1 10/2007 Carnevali
 2007/0293282 A1 12/2007 Lewis et al.



US D800,129 S

2009/0015509	A1	1/2009	Gottwald et al.	EM	0024866960013	6/2004
2009/0133219	A1	5/2009	Lowry et al.	EM	0024866960014	6/2004
2009/0186181	A1	7/2009	Mase	EM	0024866960015	6/2004
2009/0314400	A1*	12/2009	Liu A45C 11/00 150/165	EM	0024866960016	6/2004
2010/0053926	A1	3/2010	Shi et al.	EM	0024867120001	6/2004
2010/0079972	A1	4/2010	Chen et al.	EM	0024867120002	6/2004
2010/0097757	A1	4/2010	Wang	EM	0024867120003	6/2004
2010/0309152	A1	12/2010	Kusuda et al.	EM	0024867120004	6/2004
2011/0206887	A1	8/2011	Kim	EM	0024867120005	6/2004
2011/0267793	A1	11/2011	Cohen	EM	0024867120006	6/2004
2011/0279383	A1*	11/2011	Wilson G06F 3/041 345/173	EM	0024867120007	6/2004
2011/0309608	A1	12/2011	Flynn et al.	EM	0024867120008	6/2004
2012/0043015	A1	2/2012	Feller	EM	0024867120009	6/2004
2012/0063077	A1	3/2012	Tomobe et al.	EM	0024867120010	6/2004
2012/0076967	A1	3/2012	Muramatsu	EM	0024867120011	6/2004
2012/0087072	A1	4/2012	McGuire et al.	EM	0024867120012	6/2004
2012/0110868	A1*	5/2012	Abbondanzio B29C 63/0004 33/645	EM	0024867120013	6/2004
2012/0183712	A1	7/2012	Leonhard et al.	EM	0024867120014	6/2004
2012/0211168	A1	8/2012	Patel et al.	EM	0024867120015	6/2004
2012/0261930	A1*	10/2012	Bethea A45F 5/00 294/25	EM	0024867120016	6/2004
2012/0268394	A1	10/2012	Hsu et al.	JP	10199422	7/1998
2012/0276318	A1	11/2012	Franke	JP	2002049327	2/2002
2013/0020005	A1	1/2013	Koblick et al.	JP	2002057764	2/2002
2013/0020020	A1	1/2013	Liu	JP	2003066419	3/2003
2013/0040088	A1	2/2013	Hirayama et al.	JP	2006145918	6/2006
2013/0048203	A1*	2/2013	Yau B32B 7/06 156/230	JP	2006155452	6/2006
2013/0156999	A1*	6/2013	Braesch B29C 63/02 428/99	JP	3124275	8/2006
2013/0184845	A1	7/2013	Hales	JP	3180690	12/2012
2013/0237296	A1	9/2013	Chen	KR	200454225	6/2011
2013/0264235	A1	10/2013	Lin	KR	101080018	11/2011
2014/0047708	A1	2/2014	Chae	KR	101135144	4/2012
2014/0055927	A1	2/2014	Wang	KR	101176316	8/2012
2014/0124146	A1	5/2014	Patel et al.	KR	1020130043720	5/2013
2014/0250964	A1	9/2014	Dai et al.	KR	300704457	8/2013
2014/0338829	A1	11/2014	Peng et al.	KR	300704458	8/2013
2015/0000831	A1	1/2015	Wang	KR	300704459	8/2013
2015/0041069	A1*	2/2015	Wadsworth B29C 63/024 156/535	KR	300704460	8/2013
2015/0047773	A1*	2/2015	Wadsworth B29C 63/0047 156/182	KR	1020130092713	8/2013
2015/0107767	A1*	4/2015	Wadsworth B32B 37/0046 156/324	KR	1020130092804	8/2013
2015/0121691	A1	5/2015	Wang	KR	300720375	12/2013
				KR	300720376	12/2013
				KR	101408663	6/2014
				KR	1020140070046	6/2014
				KR	1020140076245	6/2014
				KR	101468710	12/2014
				KR	200475419	12/2014
				KR	200475420	12/2014
				KR	1020140136596	12/2014
				KR	1020140142904	12/2014
				KR	1020140143262	12/2014
				KR	1020150006910	1/2015
				KR	200476916	4/2015
				KR	1020150039292	4/2015
				KR	2020150001663	5/2015
				KR	300804459	7/2015
				KR	1020160022665	3/2016
				KR	1020160022755	3/2016
				KR	1020160061078	5/2016
				KR	1020160088067	7/2016
				KR	1020160091491	8/2016
				KR	2020170000128	1/2017
				TW	1401223	7/2013
				WO	2004005141	1/2004
				WO	2005058705	6/2005
				WO	WO2011065796	6/2011
				WO	2011163151	12/2011
				WO	2012074802	6/2012

FOREIGN PATENT DOCUMENTS

CN	201456516	5/2010
CN	102632674	8/2012
CN	202623469	12/2012
CN	202896928	4/2013
CN	202967060	6/2013
CN	203077741	7/2013
EM	0024866540001	6/2004
EM	0024866540002	6/2004
EM	0024866540003	6/2004
EM	0024866540004	6/2004
EM	0024866540005	6/2004
EM	0024866540006	6/2004
EM	0024866540007	6/2004
EM	0024866540008	6/2004
EM	0024866540009	6/2004
EM	0024866960001	6/2004
EM	0024866960002	6/2004
EM	0024866960003	6/2004
EM	0024866960004	6/2004
EM	0024866960005	6/2004
EM	0024866960006	6/2004
EM	0024866960007	6/2004
EM	0024866960008	6/2004
EM	0024866960009	6/2004
EM	0024866960010	6/2004
EM	0024866960011	6/2004
EM	0024866960012	6/2004

OTHER PUBLICATIONS

International Search Report and Written Opinion for PCT/US2014/071767 dated Apr. 24, 2015.

International Search Report and Written Opinion for PCT/US2014/060300 dated Jan. 27, 2015.

AMZER—Kristal Screen Protectors—<http://www.amzer.com/kristal/>, Mar. 21, 2014.

MyScreenPROTECTOR—<https://www.myscreenprotector.com/?lng=3&view=cms&txt=about-my-screen-protector>, Mar. 21, 2014.

PureGear—PureTek Roll-On Kit—<http://www.pure-gear.com/shop-by-category/screen/puretek-roll-on-kit-antibacterial-antiglare-anti-fingerprint.html>, Mar. 21, 2014.

TYLT ALIN Perfect Alignment Screen Protection—<http://www.tylt.com/alin/>, Mar. 21, 2014.

ZAGG Introduces invisibleSHIELD On Demand and invisible Shield Glass at CES 2—<http://investors.zagg.com/releasedetail.cfm?ReleaseID=817526>, Mar. 21, 2014.

International Search Report and Written Opinion for PCT/US2014/050420 dated Nov. 19, 2014.

International Search Report and Written Opinion for PCT/US 09/61553, dated Dec. 17, 2009.

Protrusion on “F” key of computer keyboard; 1 page; picture taken Oct. 20, 2008.

Protrusion on “5” key of telephone; 1 page; picture taken Oct. 20, 2008.

Systech Displays, Inc.; Home page; <http://www.systechdisplays.com/>; Oct. 21, 2008; 2 pages.

Translation of KR-10-1135144, retrieved from the Internet on Jun. 9, 2017.

* cited by examiner

Primary Examiner — Austin Murphy

(74) *Attorney, Agent, or Firm* — Bryan Cave LLP

(57) **CLAIM**

We claim the ornamental design for the overlay, substantially as shown.

DESCRIPTION

FIG. 1 is a top perspective view of an overlay, according to a first embodiment;

FIG. 2 is a bottom perspective view of the overlay, according to the first embodiment;

FIG. 3 is a top plan view of the overlay, according to the first embodiment;

FIG. 4 is a bottom plan view of the overlay, according to the first embodiment;

FIG. 5 is a side elevational view of the overlay, according to the first embodiment;

FIG. 6 is an opposite side elevational view of the overlay, according to the first embodiment;

FIG. 7 is an enlarged side elevational view of a portion of the overlay, as identified in FIG. 5, according to the first embodiment;

FIG. 8 is a top perspective view of an overlay, according to a second embodiment;

FIG. 9 is a bottom perspective view of the overlay, according to the second embodiment;

FIG. 10 is a top plan view of the overlay, according to the second embodiment;

FIG. 11 is a bottom plan view of the overlay, according to the second embodiment;

FIG. 12 is a side elevational view of the overlay, according to the second embodiment;

FIG. 13 is an opposite side elevational view of the overlay, according to the second embodiment;

FIG. 14 is an enlarged side elevational view of a portion of the overlay, as identified in FIG. 12, according to the second embodiment;

FIG. 15 is a top perspective view of an overlay, according to a third embodiment;

FIG. 16 is a bottom perspective view of the overlay, according to the third embodiment;

FIG. 17 is a top plan view of the overlay, according to the third embodiment;

FIG. 18 is a bottom plan view of the overlay, according to the third embodiment;

FIG. 19 is a side elevational view of the overlay, according to the third embodiment;

FIG. 20 is an opposite side elevational view of the overlay, according to the third embodiment; and,

FIG. 21 is an enlarged side elevational view of a portion of the overlay, as identified in FIG. 19, according to the third embodiment.

The evenly dashed broken lines of the various embodiments of the overlay are directed to environment and are for illustrative purposes only; the evenly dashed broken lines form no part of the claimed design.

1 Claim, 9 Drawing Sheets

FIG. 1

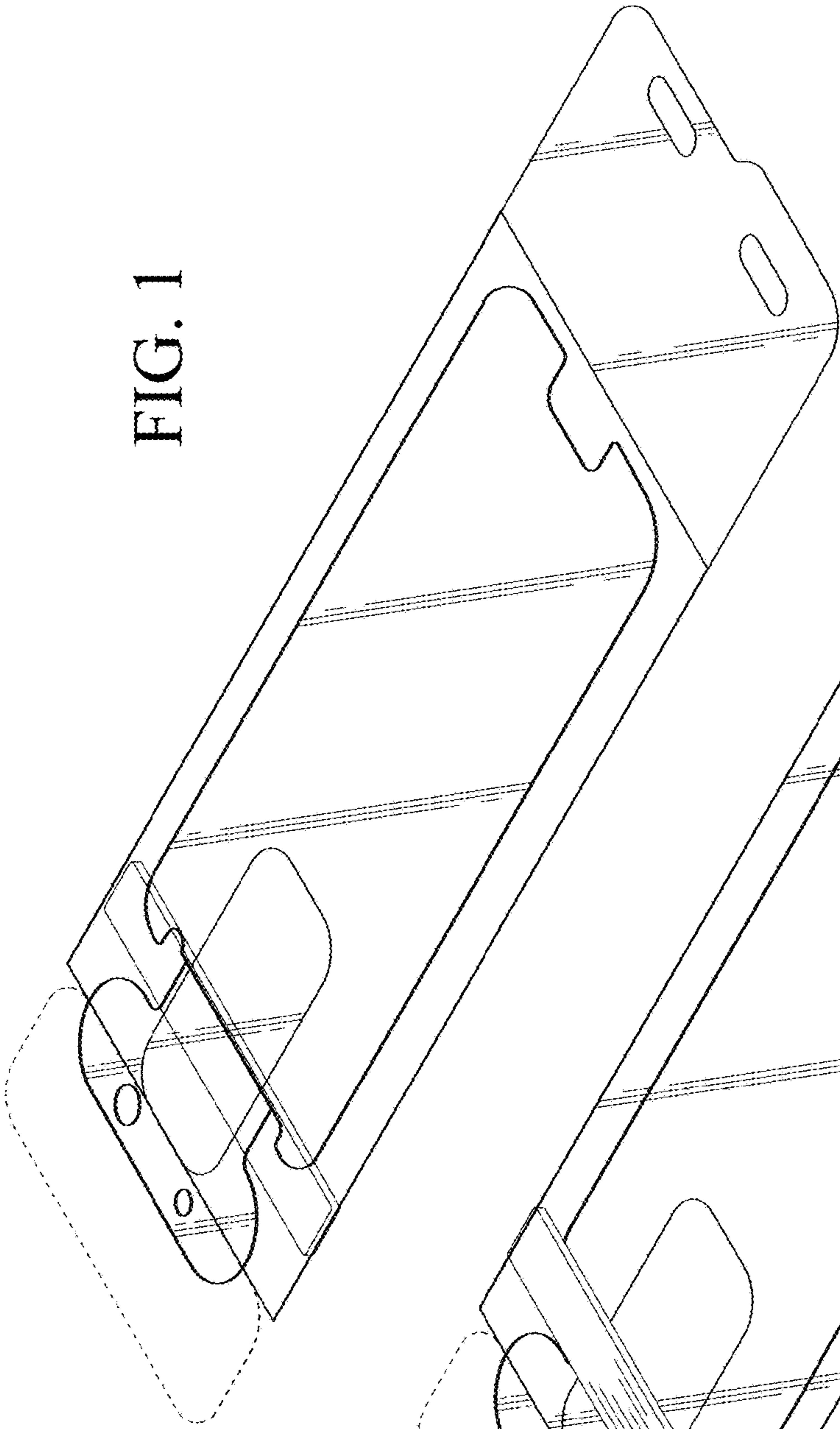
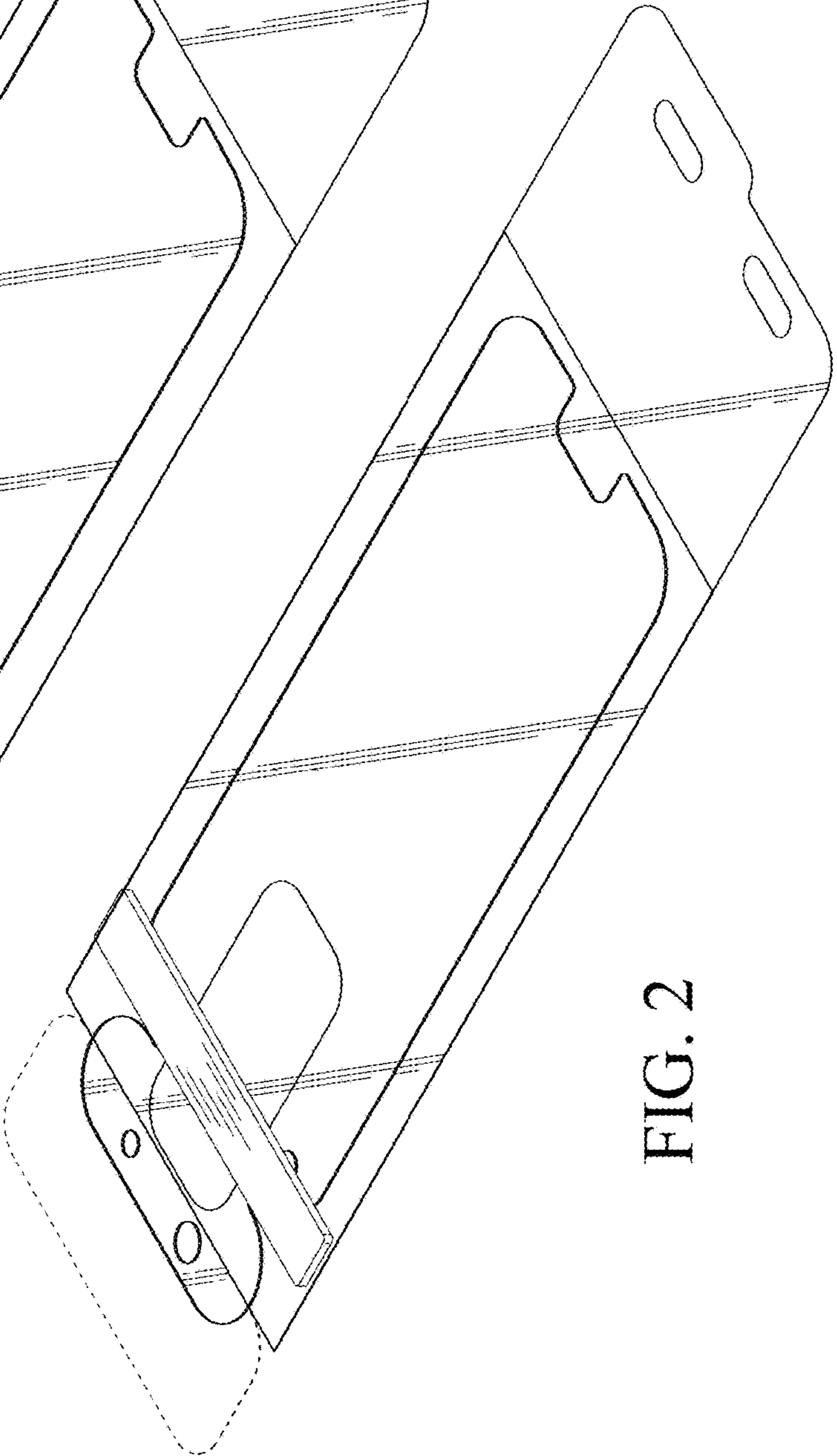


FIG. 2



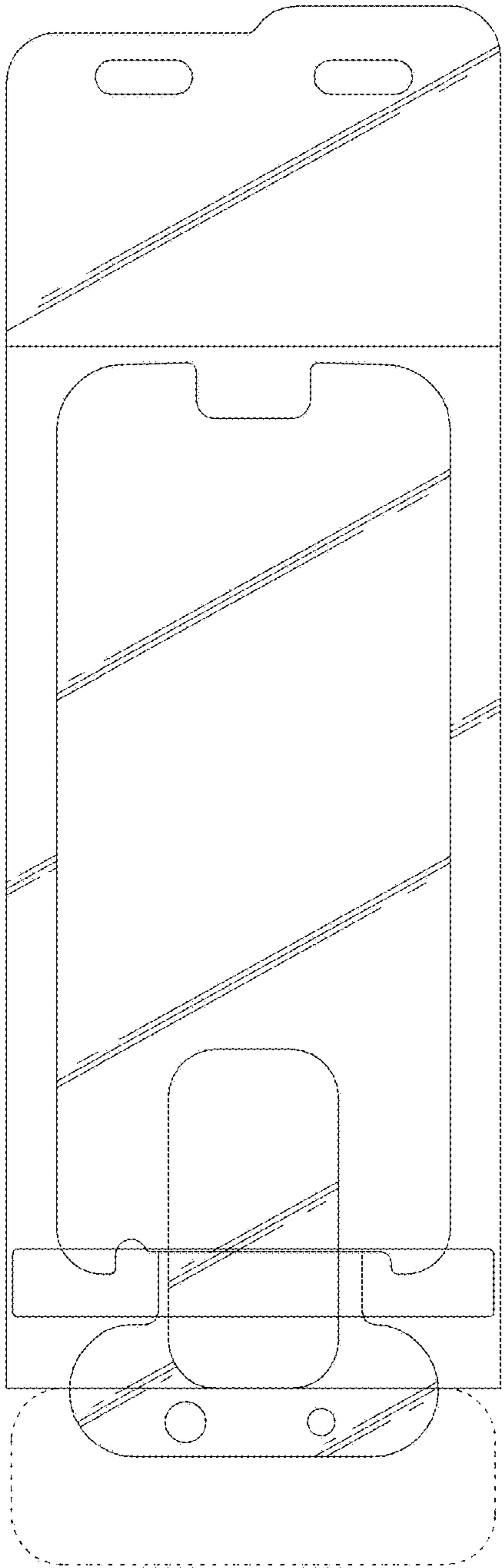


FIG. 3

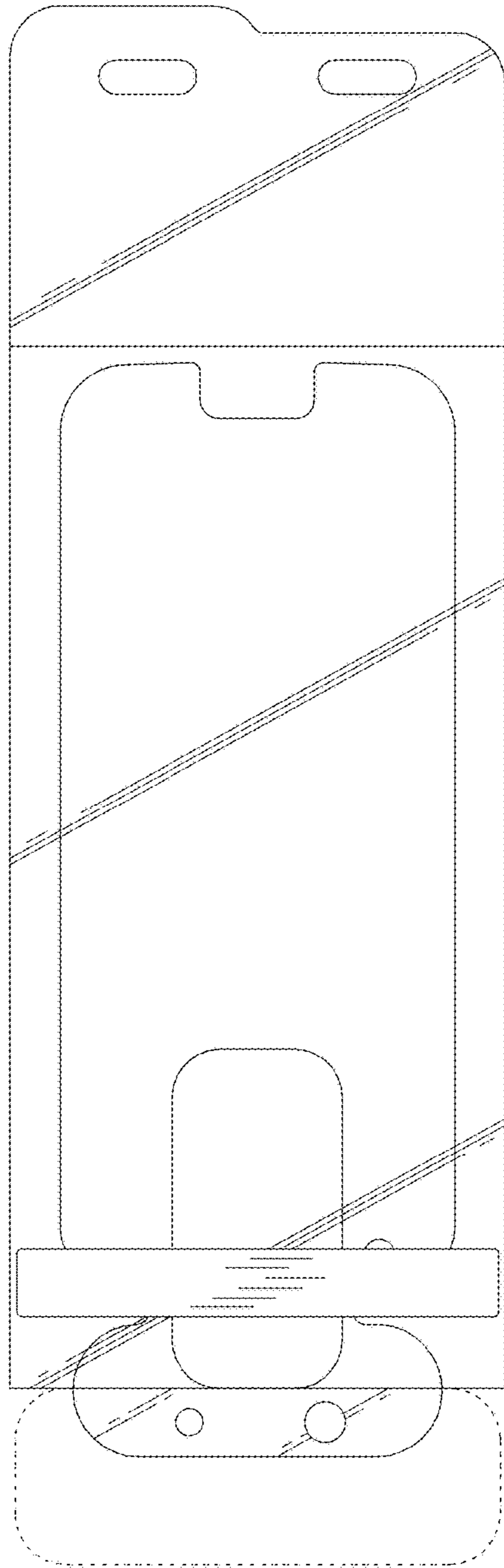


FIG. 4

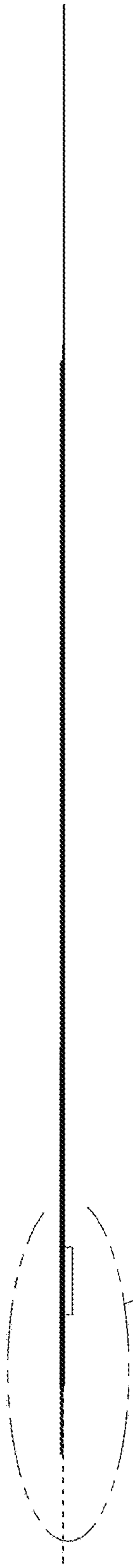


FIG. 5

FIG. 7



FIG. 6

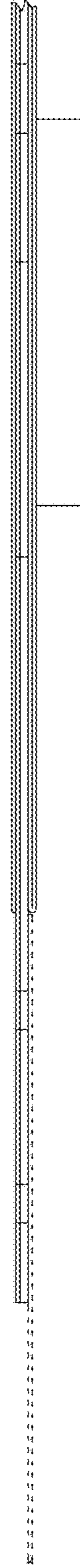


FIG. 7

FIG. 8

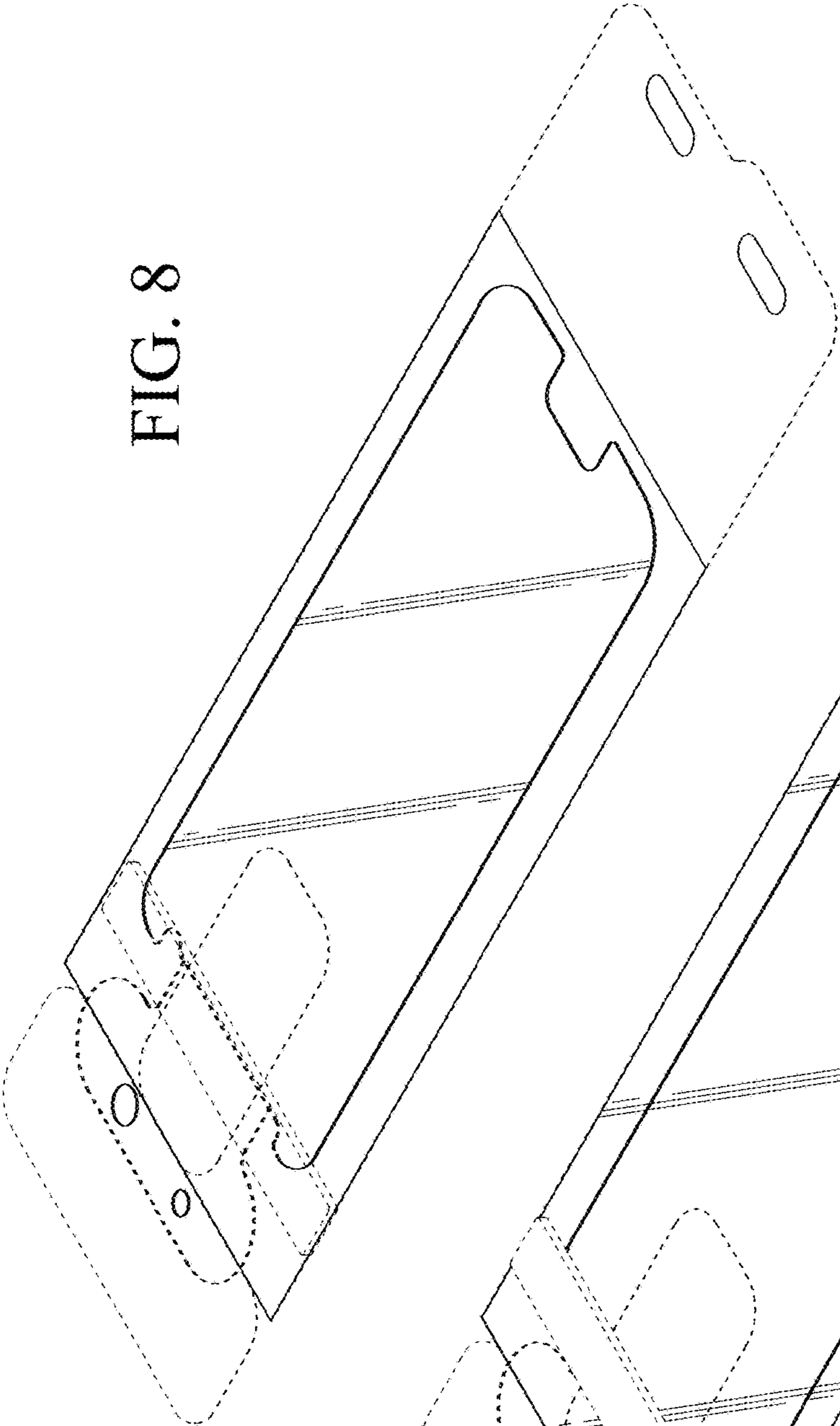
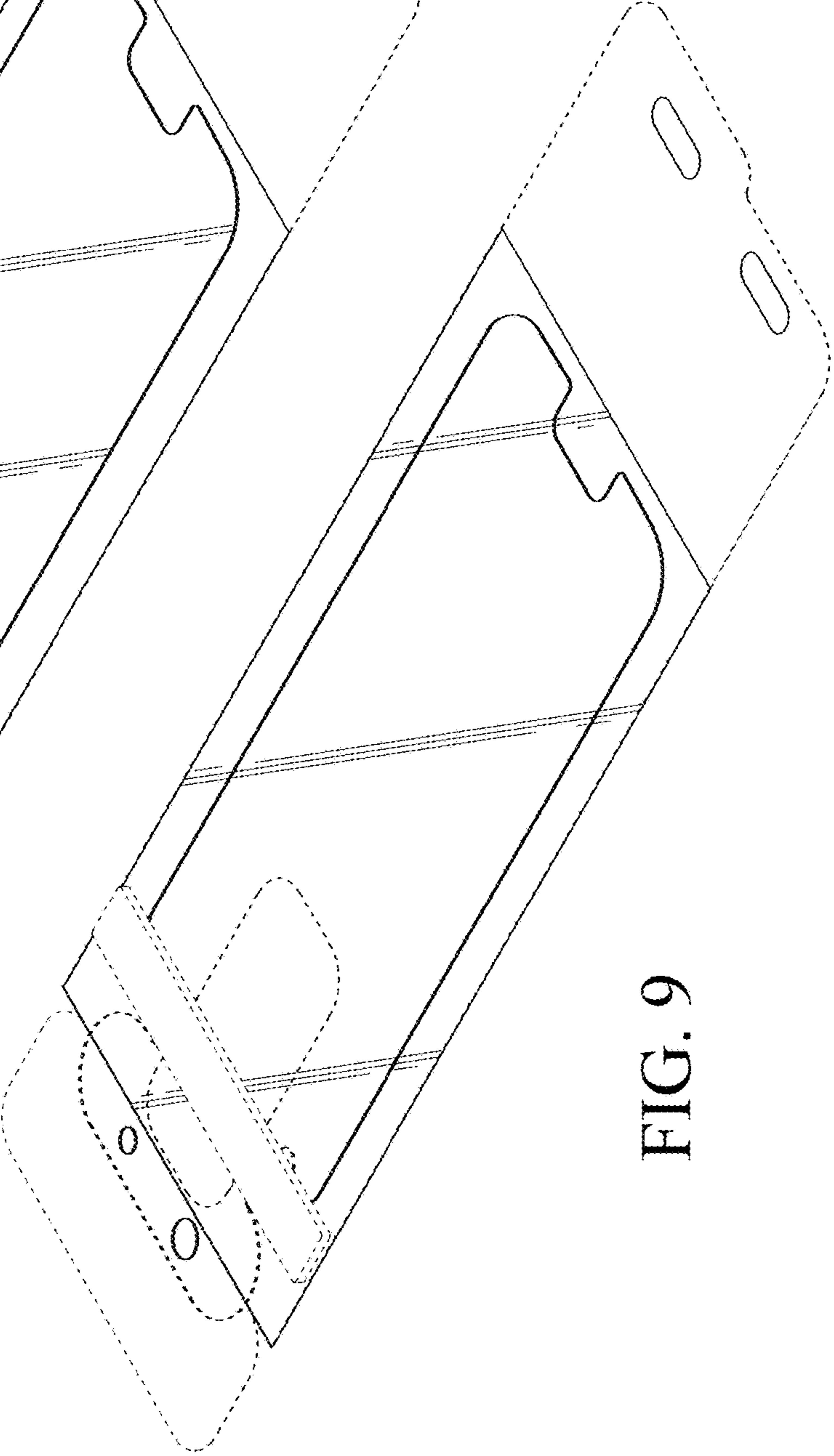


FIG. 9



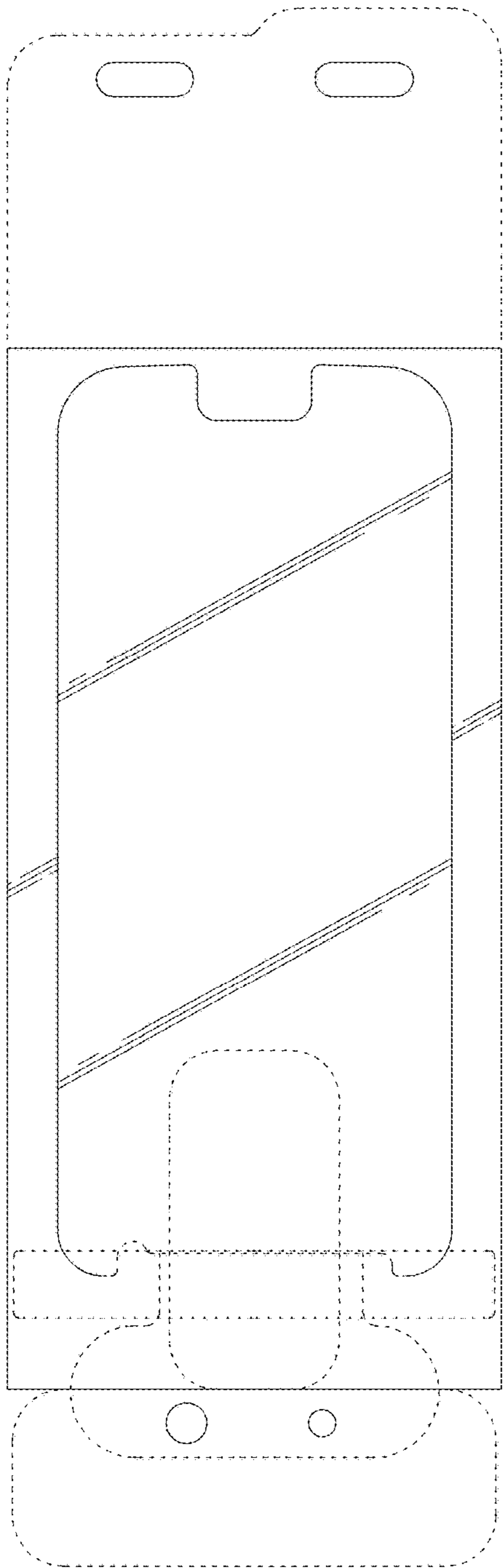


FIG. 10

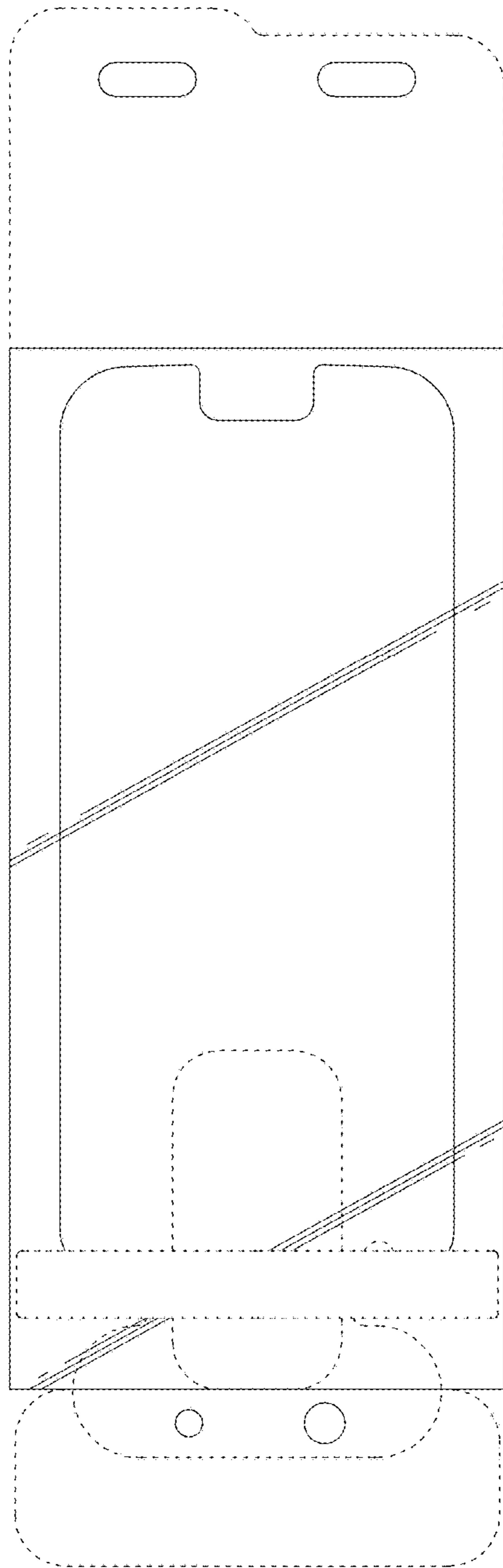


FIG. 11

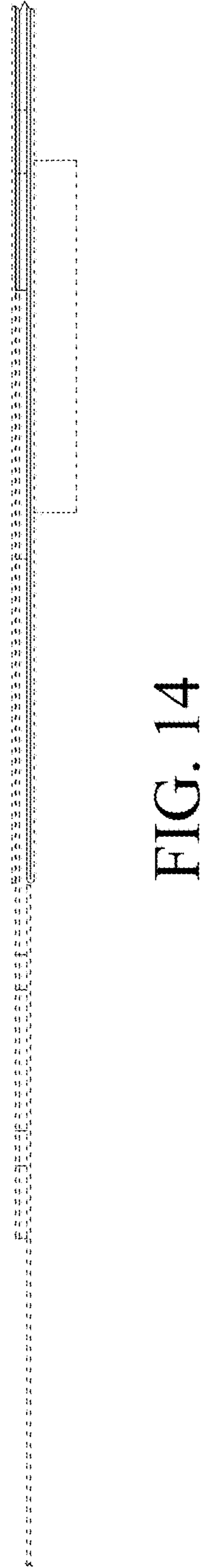
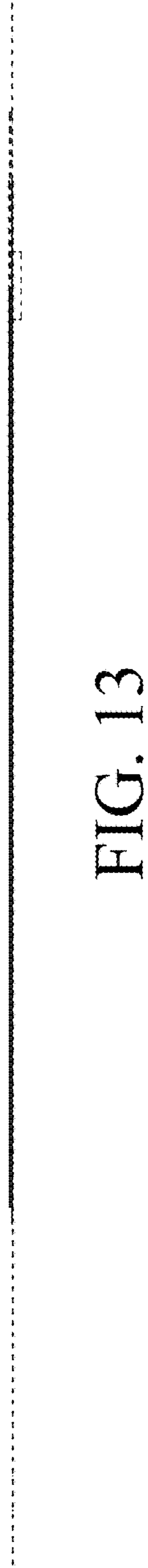
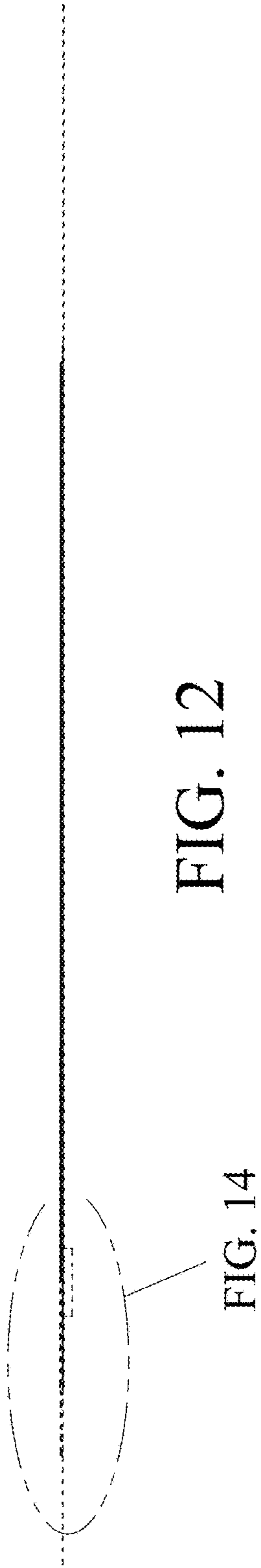


FIG. 15

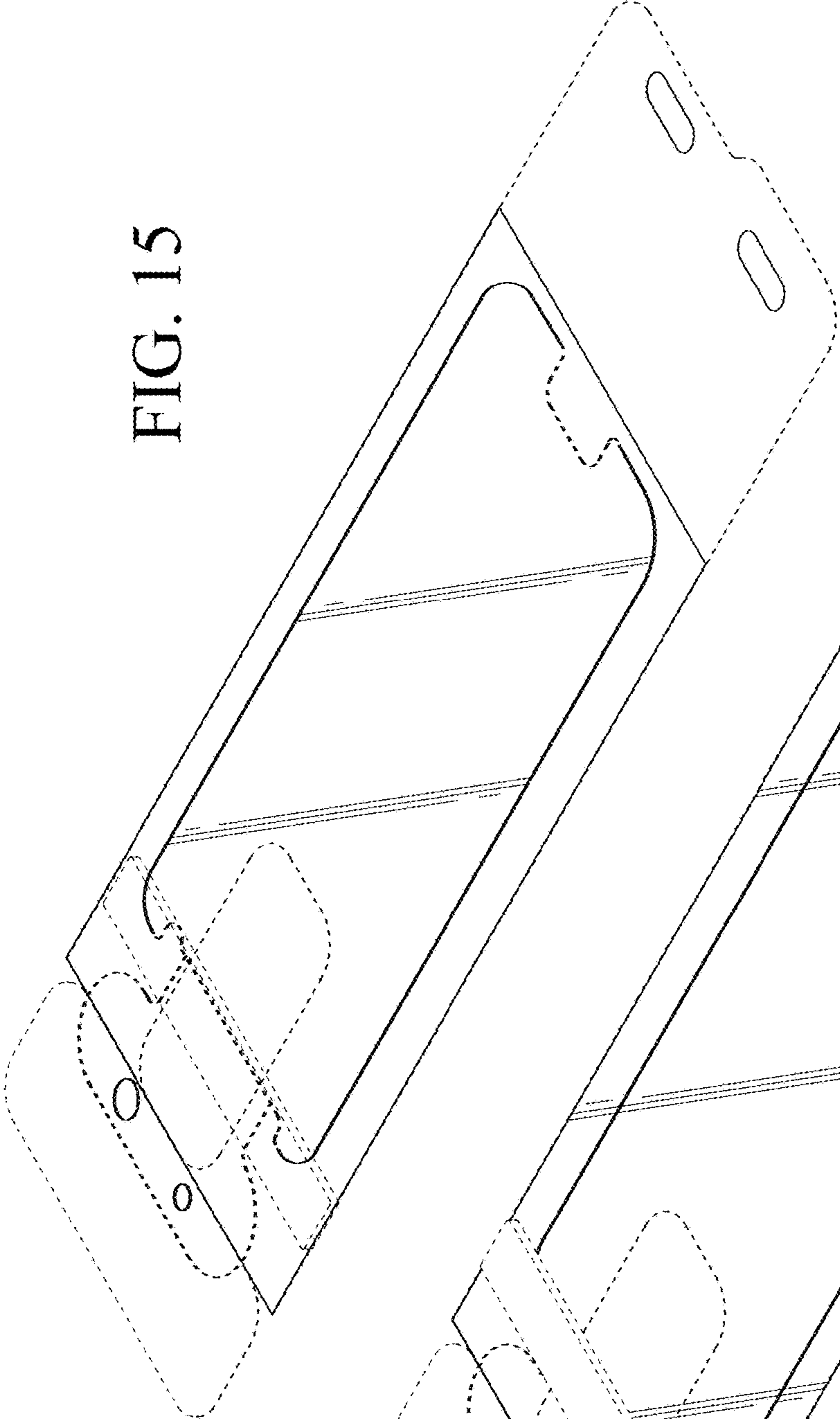
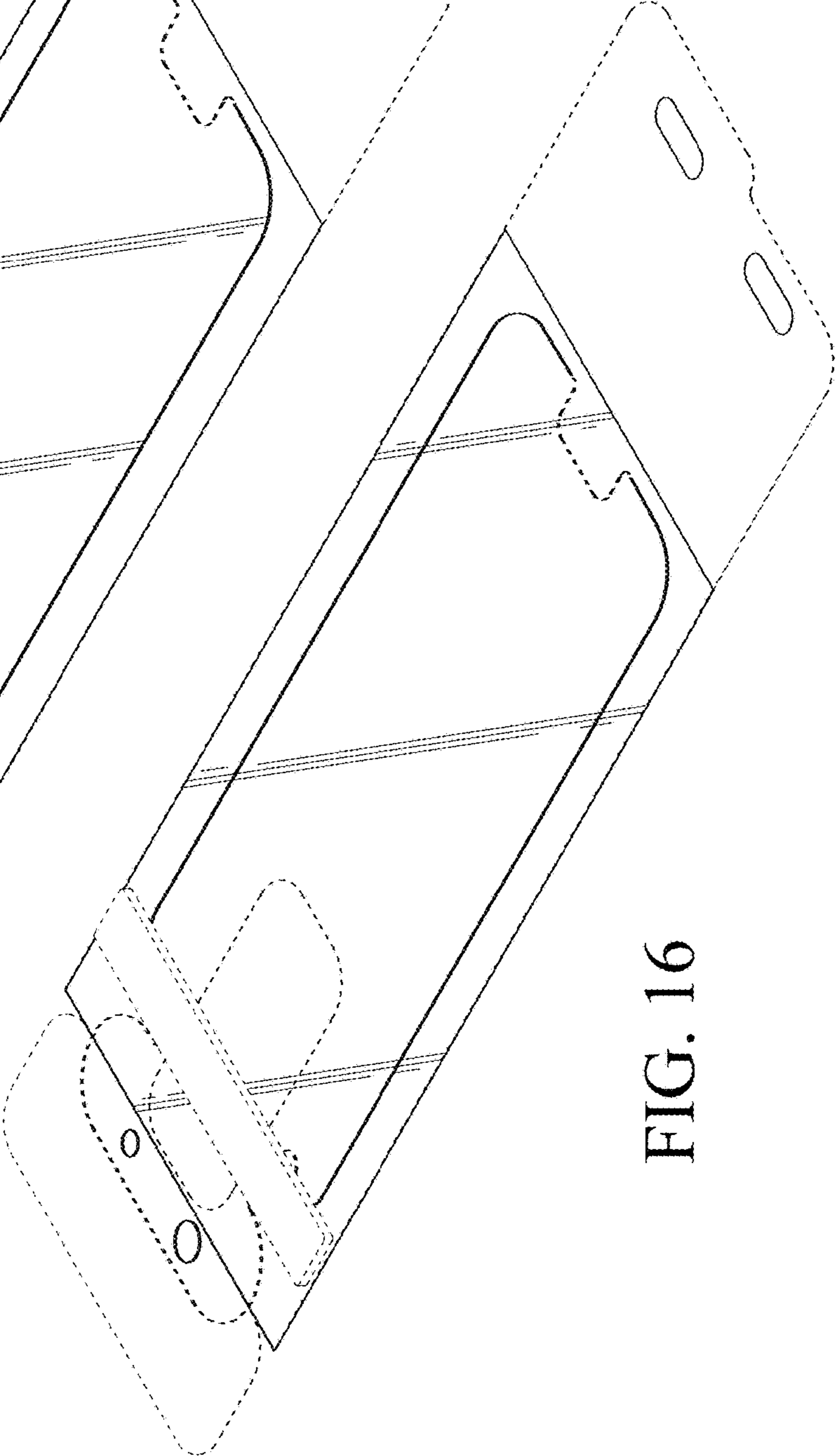


FIG. 16



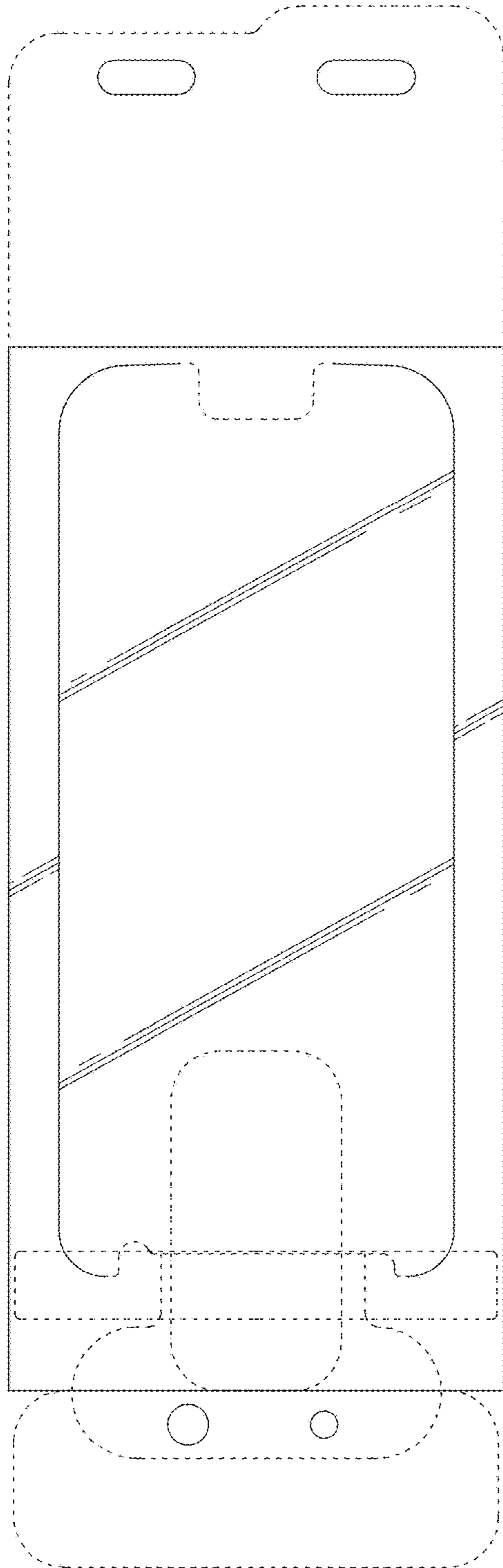


FIG. 17

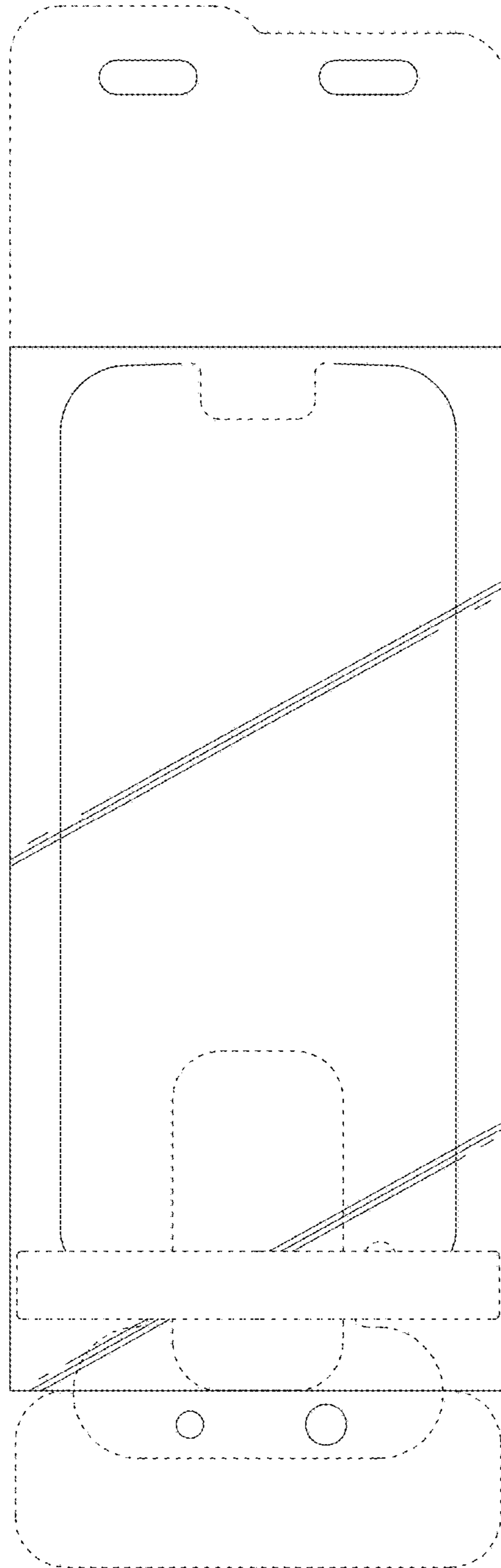


FIG. 18

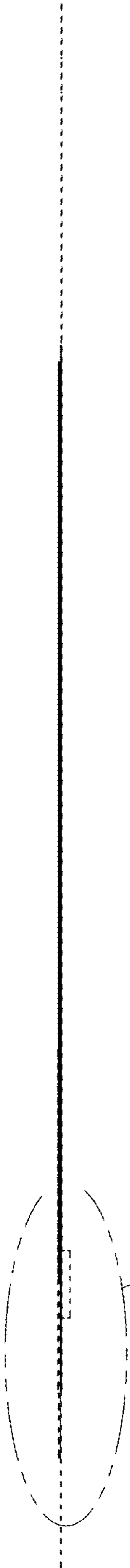


FIG. 19

FIG. 21



FIG. 20

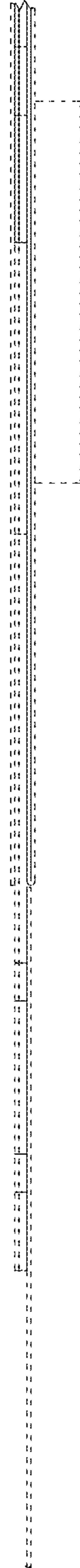


FIG. 21