



US00D800124S

(12) **United States Design Patent** (10) **Patent No.:** **US D800,124 S**  
**Asano et al.** (45) **Date of Patent:** **\*\* Oct. 17, 2017**

(54) **SCANNER**

(71) Applicant: **BROTHER INDUSTRIES, LTD.**,  
Nagoya-shi, Aichi-ken (JP)

(72) Inventors: **Masahide Asano**, Nagoya (JP); **Jihoon Kil**, Nagoya (JP)

(73) Assignee: **BROTHER INDUSTRIES, LTD.**,  
Nagoya (JP)

(\*\*) Term: **15 Years**

(21) Appl. No.: **29/576,221**

(22) Filed: **Sep. 1, 2016**

(30) **Foreign Application Priority Data**

Mar. 4, 2016 (JP) ..... 2016-4895

(51) **LOC (10) Cl.** ..... **14-02**

(52) **U.S. Cl.**  
USPC ..... **D14/421**

(58) **Field of Classification Search**

USPC ..... D14/421-425; D18/55, 49, 46, 40,  
D18/36-39, 41, 44, 45, 47, 48, 50-54,  
D18/56; 235/462, 455, 470, 462.43, 482,  
235/483; 358/474, 486, 488, 496, 497,  
358/498, 452, 449, 451, 453, 1.13, 471,  
358/401, 377; 318/685, 696; 355/81, 75;  
399/405, 367, 379, 380, 377; 382/217;  
715/209, 222, 226, 274; 400/613,  
400/613.1-613.4, 690.1-690.4, 691-694

CPC ..... H04N 1/00; H04N 1/12; H04N 1/00013;  
H04N 1/00015; H04N 1/00018; H04N  
1/00026; H04N 1/00557; H04N 1/00564;  
H04N 1/00567; H04N 1/0057; H04N  
1/00572; H04N 1/00586; H04N 1/00588;  
H04N 1/00591; H04N 1/00594; H04N  
1/00596; H04N 1/00604; H04N 1/00519;  
H04N 1/00559; H04N 1/1013; H04N  
1/10; H04N 1/00551; H04N 1/00278;  
H04N 2201/0456; H04N 2201/0446;  
H04N 2201/00; H04N 2201/0094; H04N

1/1008; H04N 1/017; H04N 1/1065;  
H04N 1/107; H04N 1/192; H04N 1/193;  
H04N 1/1938; H04N 1/19505; H04N  
1/0083; H04N 1/2032; H04N 2201/0013;  
H04N 2201/0063; H04N 2201/0081;  
H04N 2201/0082; H04N 2201/0086;  
H04N 2201/0434; G03G 15/0142; G03G  
15/605; G03G 15/602; G03G 15/607;  
G03G 15/65; B65H 5/26; B65H 5/30;  
B65H 5/36; B65H 7/00; B65H 2402/515;  
B65H 2402/31; B65H 2511/20; B65H  
2511/414; B65H 2513/42; B65H 2801/39;  
B65H 2801/31; B65H 2215/00189; B65H  
2215/00194;

(Continued)

(56) **References Cited**

U.S. PATENT DOCUMENTS

D550,768 S \* 9/2007 Hoshiya ..... D14/421  
D556,257 S \* 11/2007 Yamaguchi ..... D18/55

(Continued)

*Primary Examiner* — Susan Moon Lee

(74) *Attorney, Agent, or Firm* — Oliff PLC

(57) **CLAIM**

The ornamental design for a scanner, as shown and described.

**DESCRIPTION**

FIG. 1 is a perspective view of a scanner;

FIG. 2 is a front view thereof;

FIG. 3 is a top view thereof;

FIG. 4 is a right-side view thereof;

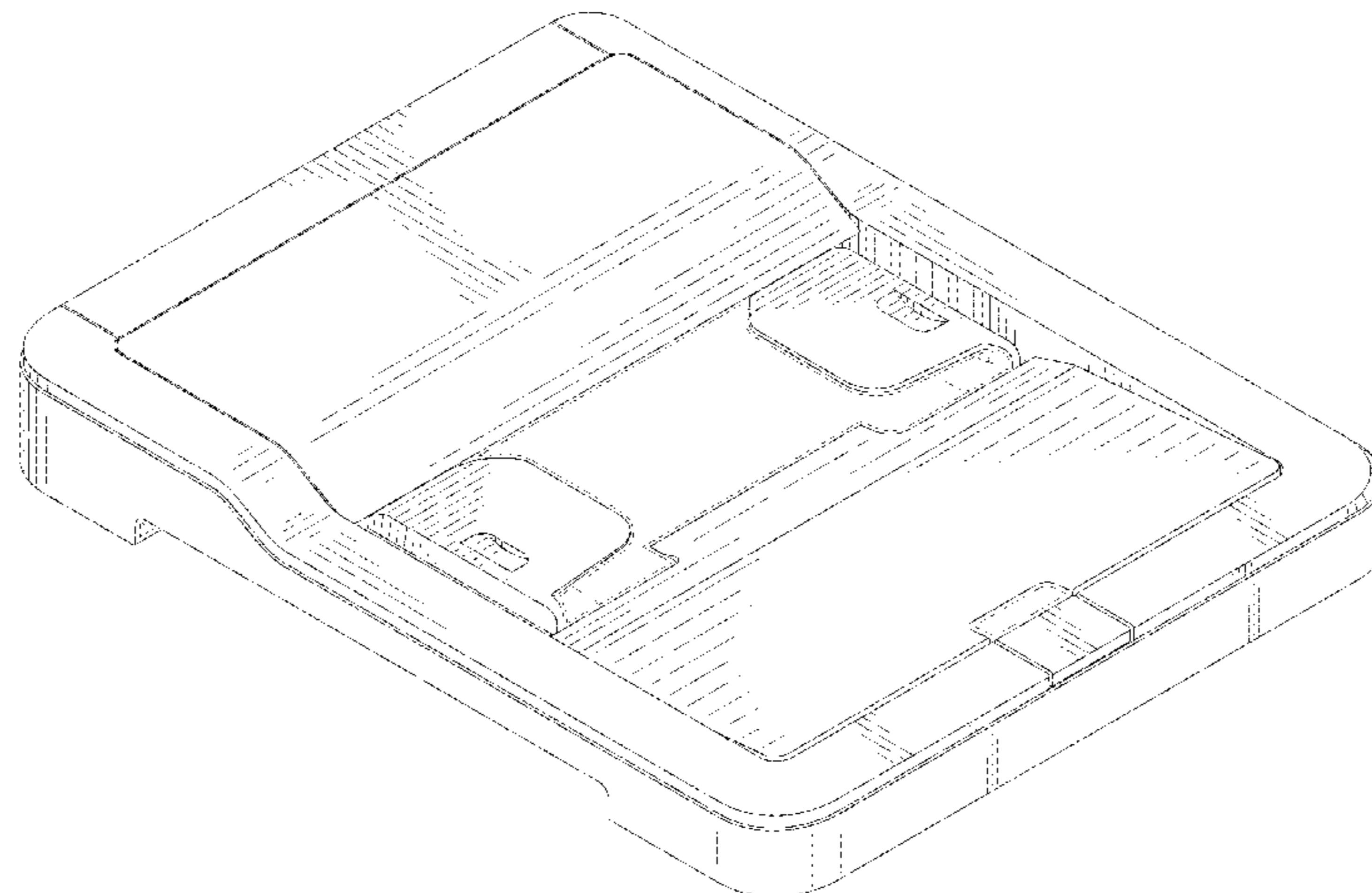
FIG. 5 is a left-side view thereof;

FIG. 6 is a rear view thereof; and,

FIG. 7 is a bottom view thereof.

The broken lines depict environmental subject matter only and form no part of the claimed design.

**1 Claim, 5 Drawing Sheets**



US D800,124 S

(58) Field of Classification Search

CPC ..... B65H 2215/00198; B65H 2215/00202;  
B65H 2215/00206; B65H 2215/20; B65H  
2301/00; B65H 2220/04; B65H 3/5261;  
B65H 2402/30; B65H 2402/32-2402/34;  
B65H 2402/40; B65H 2402/44; B65H  
2402/341; B65H 9/08; B65H 31/02

See application file for complete search history.

(56) References Cited

U.S. PATENT DOCUMENTS

D561,250 S \* 2/2008 Smith ..... D18/55  
D584,344 S \* 1/2009 Lee ..... D18/43  
D609,270 S \* 2/2010 Kato ..... D18/55  
D611,091 S \* 3/2010 Ishikawa ..... D18/55  
7,686,302 B2 \* 3/2010 Tanahashi ..... B65H 3/06  
271/10.05  
7,722,026 B2 \* 5/2010 Hirate ..... B65H 5/062  
271/10.02  
D626,587 S \* 11/2010 Ishio ..... D18/39  
D626,588 S \* 11/2010 Kim ..... D18/39  
D661,345 S \* 6/2012 Asano ..... D18/50  
D665,013 S \* 8/2012 Ishikawa ..... D18/50  
D680,581 S \* 4/2013 Nakata ..... D18/50  
D682,928 S \* 5/2013 Kim ..... D18/55  
D688,742 S \* 8/2013 Kim ..... D18/55  
D689,543 S \* 9/2013 Seki ..... D18/50  
D694,316 S \* 11/2013 Jihoon ..... D18/50  
D695,339 S \* 12/2013 Fukasawa ..... D18/53  
8,619,273 B2 \* 12/2013 Mukai ..... G03G 15/605  
358/1.13  
D697,550 S \* 1/2014 Nanno ..... D18/50  
D697,966 S \* 1/2014 Fukasawa ..... D18/55  
D697,967 S \* 1/2014 Fukasawa ..... D18/55  
D698,389 S \* 1/2014 Fukasawa ..... D18/55  
D699,725 S 2/2014 Sato et al.  
D705,781 S \* 5/2014 Yin ..... D14/421

8,941,892 B2 \* 1/2015 Fujiwara ..... H04N 1/00551  
271/164  
D724,142 S \* 3/2015 Kim ..... D18/55  
D726,250 S \* 4/2015 Kim ..... D18/55  
D726,251 S \* 4/2015 Kim ..... D18/55  
9,019,574 B2 \* 4/2015 Ohta ..... H04N 1/00519  
271/109  
D730,356 S 5/2015 Sato et al.  
D733,711 S 7/2015 Nakagawa et al.  
9,131,092 B2 \* 9/2015 Ito ..... H04N 1/00554  
D742,960 S \* 11/2015 Lee ..... D18/50  
9,204,001 B2 \* 12/2015 Shiomi ..... H04N 1/00907  
D755,286 S \* 5/2016 Kim ..... D18/55  
D756,361 S \* 5/2016 Huang ..... D14/421  
D767,677 S \* 9/2016 Kim ..... D18/56  
D780,839 S \* 3/2017 Kim ..... D18/55  
D785,702 S \* 5/2017 Sato ..... D18/56  
D788,216 S \* 5/2017 Kim ..... D18/56  
2005/0025541 A1 \* 2/2005 Terae ..... G03G 15/605  
399/380  
2005/0212195 A1 \* 9/2005 Ohama ..... H04N 1/04  
271/4.01  
2006/0245013 A1 \* 11/2006 Ikeno ..... H04N 1/00814  
358/487  
2006/0250661 A1 \* 11/2006 Susaki ..... H04N 1/4076  
358/461  
2007/0007716 A1 \* 1/2007 Tanaka ..... B65H 31/02  
271/207  
2007/0201109 A1 \* 8/2007 Osakabe ..... H04N 1/00519  
358/474  
2007/0287566 A1 \* 12/2007 Osakabe ..... H04N 1/00519  
475/162  
2010/0020370 A1 \* 1/2010 Ishikawa ..... H04N 1/00413  
358/498  
2010/0245948 A1 \* 9/2010 Takeuchi ..... H04N 1/0057  
358/498  
2013/0114116 A1 \* 5/2013 Ikeno ..... H04N 1/04  
358/474  
2016/0037012 A1 \* 2/2016 Okado ..... H04N 1/1013  
358/474

\* cited by examiner



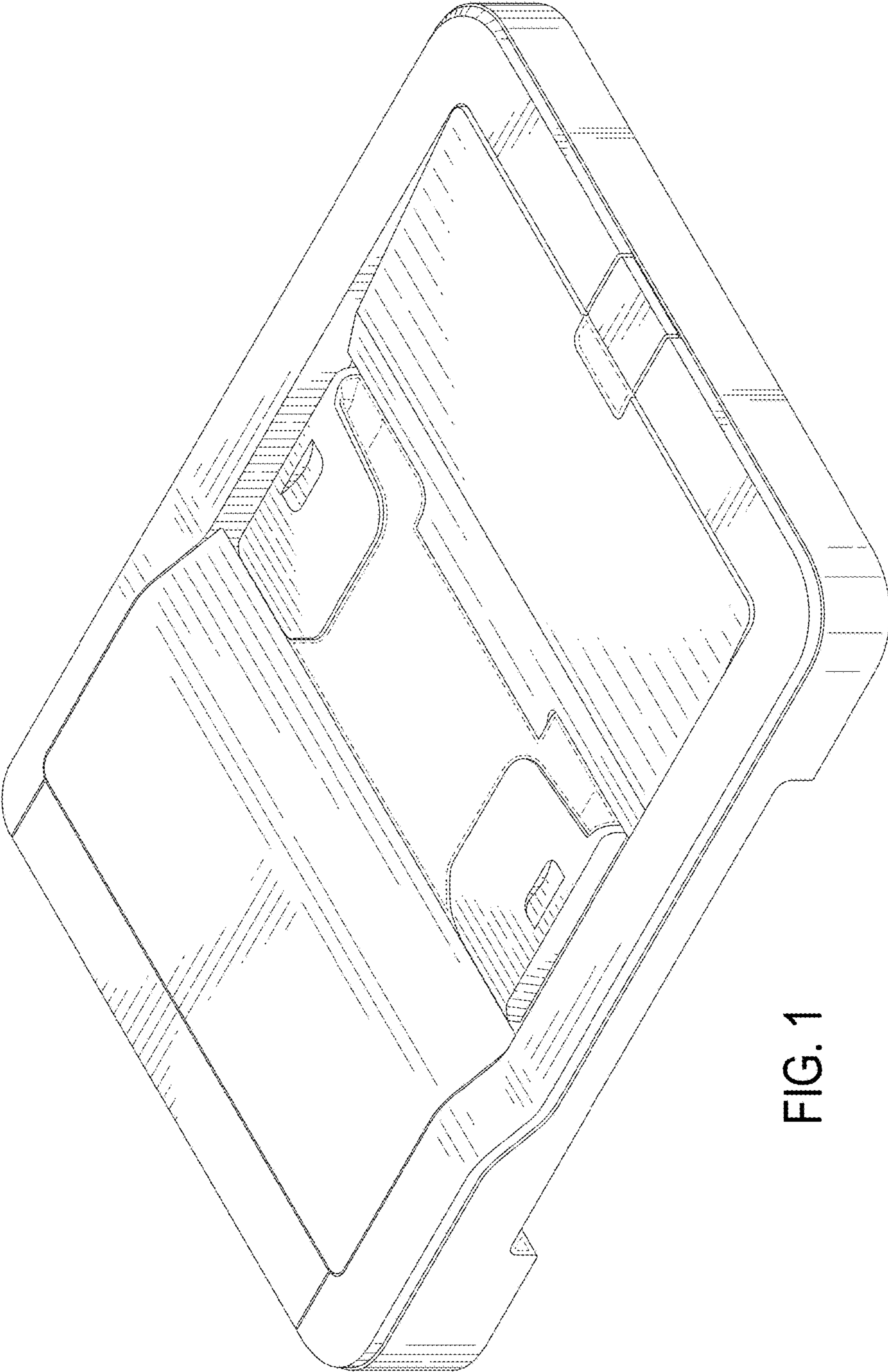


FIG. 1

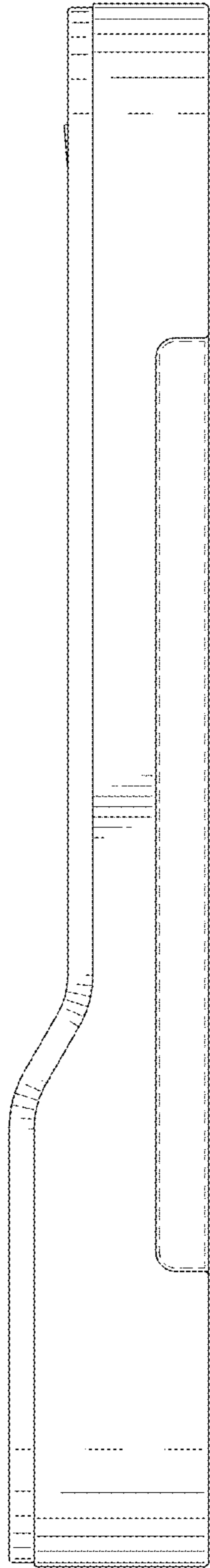


FIG. 2

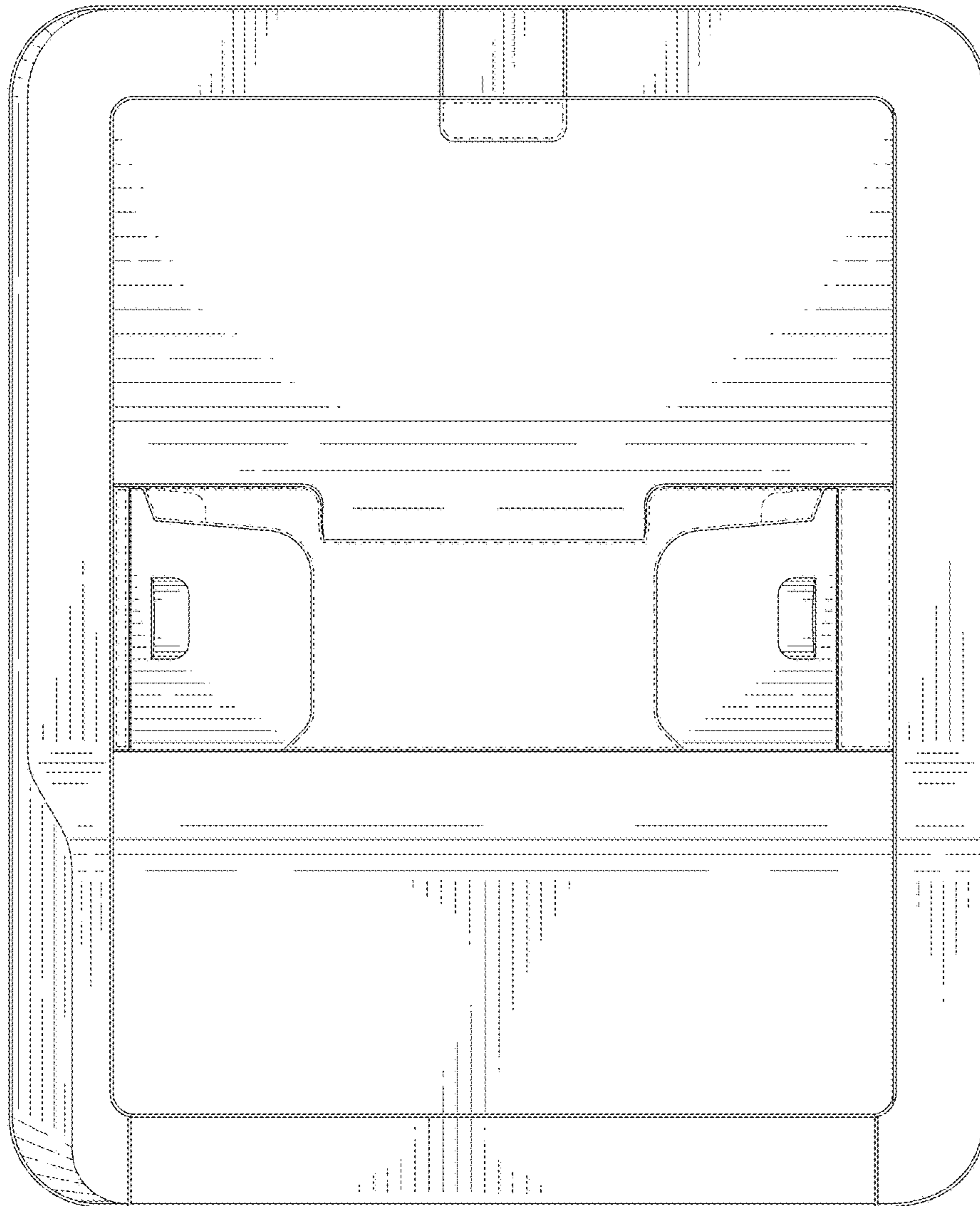


FIG. 3

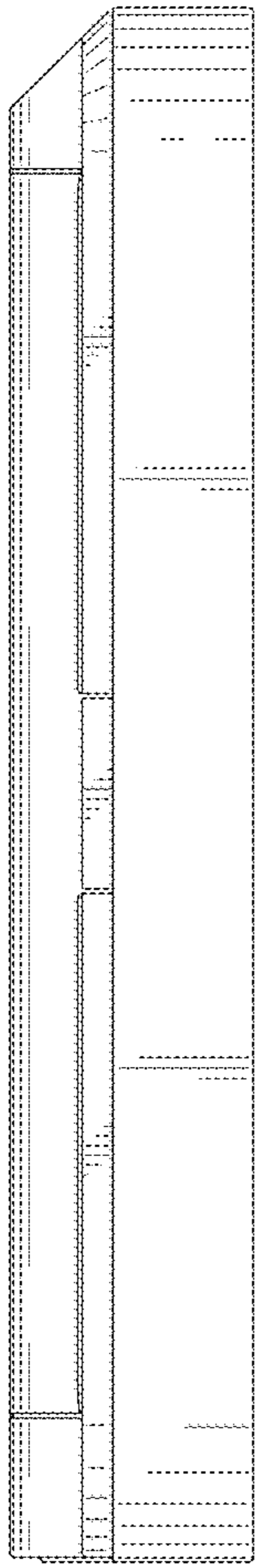


FIG. 4

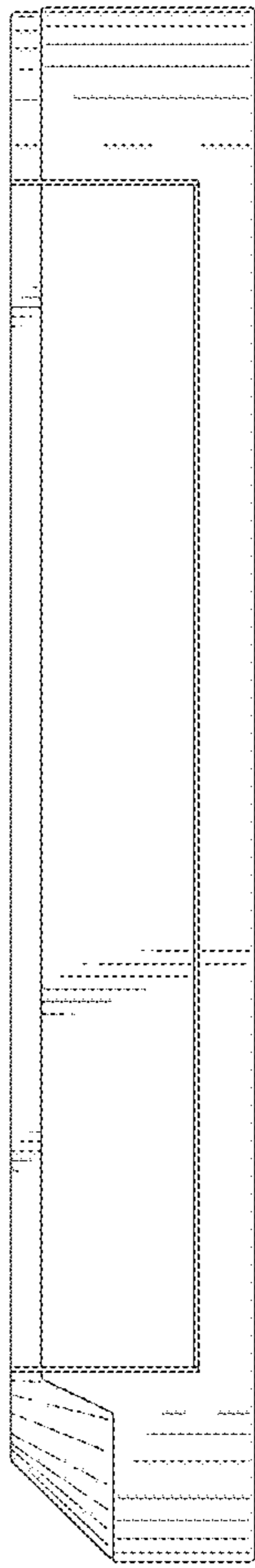


FIG. 5

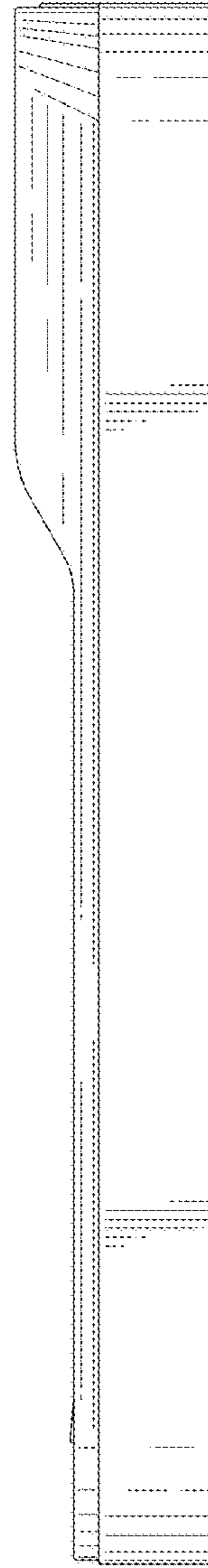


FIG. 6

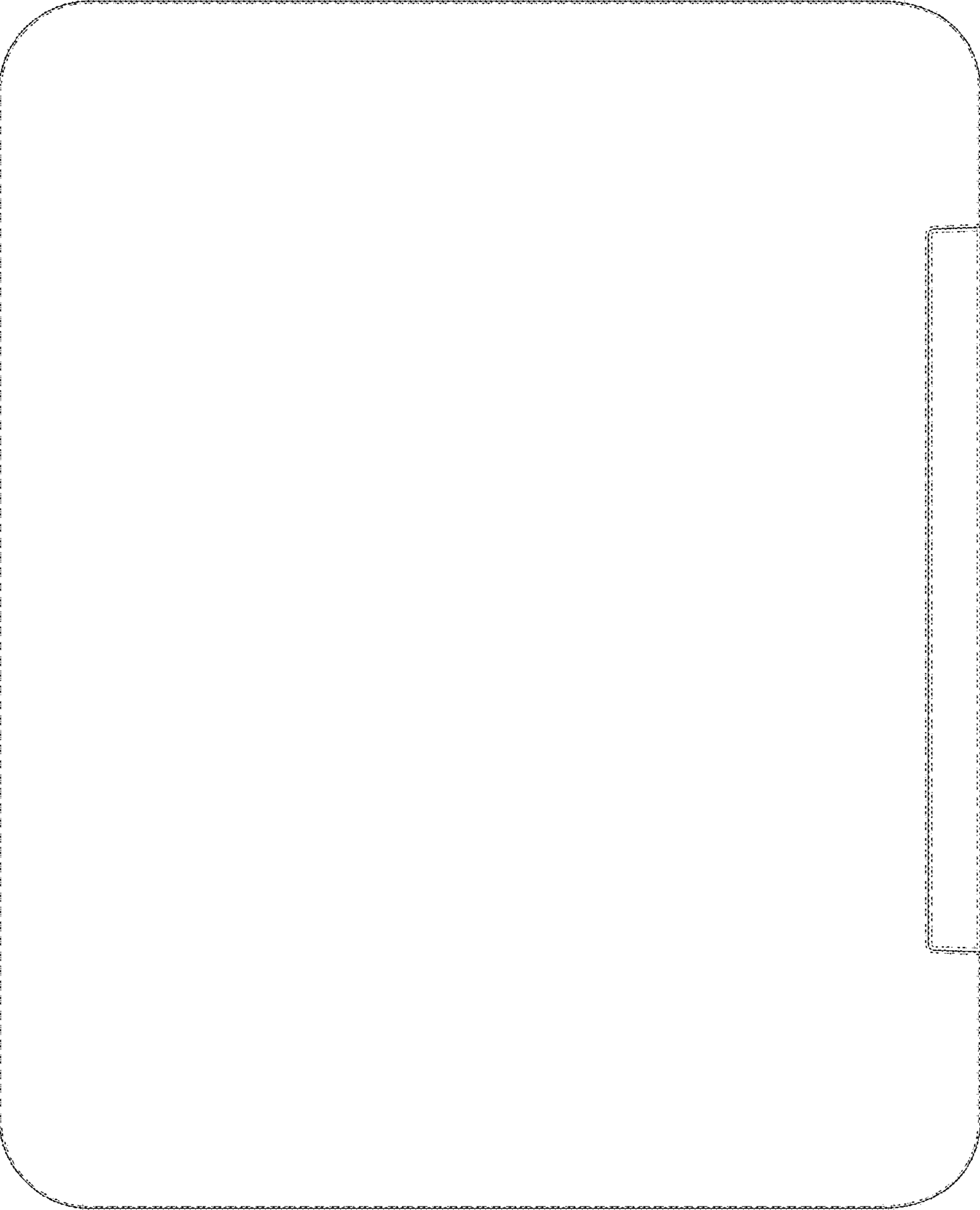


FIG. 7