



US00D800123S

(12) **United States Design Patent** (10) **Patent No.:** **US D800,123 S**  
**Tashima et al.** (45) **Date of Patent:** **\*\* Oct. 17, 2017**

(54) **SCANNER**

(71) Applicant: **BROTHER INDUSTRIES, LTD.**,  
Nagoya-shi, Aichi-ken (JP)

(72) Inventors: **Kazuhisa Tashima**, Nagoya (JP);  
**Yukihiko Sato**, Nagoya (JP)

(73) Assignee: **BROTHER INDUSTRIES, LTD.**,  
Nagoya-shi (JP)

(\*\*) Term: **15 Years**

(21) Appl. No.: **29/571,094**

(22) Filed: **Jul. 14, 2016**

(30) **Foreign Application Priority Data**

Jan. 14, 2016 (JP) ..... 2016-570

(51) **LOC (10) Cl.** ..... **14-02**

(52) **U.S. Cl.**  
USPC ..... **D14/421**; D18/56; D18/55; D18/40

(58) **Field of Classification Search**

USPC ..... D14/421-425; D18/55, 49, 46, 40,  
D18/36-39, 41, 44, 45, 47, 48, 50-54,  
D18/56; 235/462, 455, 470, 462.43, 482,  
235/483; 358/474, 486, 488, 496, 497,  
358/498, 452, 449, 451, 453, 1.13, 471,  
358/401; 318/685, 696; 355/81, 75;  
399/405, 367, 379, 380, 377; 382/217;  
715/209, 222, 226, 274; 400/613,  
400/613.1-613.4, 690.1-690.4, 691-694

CPC ..... H04N 1/00; H04N 1/12; H04N 1/00013;  
H04N 1/00015; H04N 1/00018; H04N  
1/00026; H04N 1/00557; H04N 1/00564;  
H04N 1/00567; H04N 1/0057; H04N  
1/00572; H04N 1/00586; H04N 1/00588;  
H04N 1/00591; H04N 1/00594; H04N  
1/00596; H04N 1/00604; H04N 1/00519;  
H04N 1/00559; H04N 1/1013; H04N  
1/10; H04N 1/00551; H04N 1/00278;  
H04N 2201/0456; H04N 2201/0446;  
H04N 2201/00; H04N 2201/0094; H04N

1/00907; H04N 1/0464; H04N 1/00554;  
H04N 1/1008; H04N 1/017; H04N  
1/1065; H04N 1/107; H04N 1/192; H04N  
1/193; H04N 1/1938; H04N 1/19505;  
H04N 1/0083; H04N 1/2032; H04N  
2201/0013; H04N 1/0063; H04N 1/0081;  
H04N 1/0082; H04N 1/0086; H04N  
1/0434; H04N 271/01; H04N 271/207;  
H04N 271/209; G03G 15/0142; G03G  
15/605; G03G 15/602; G03G 15/607;  
G03G 15/65; B65H 5/26; B65H 5/30;  
B65H 5/36; B65H 7/00; B65H 2402/515;  
(Continued)

(56) **References Cited**

U.S. PATENT DOCUMENTS

D528,154 S \* 9/2006 Hattori ..... D18/54  
D561,251 S \* 2/2008 Tjin Wong Joe ..... D18/55

(Continued)

*Primary Examiner* — Susan Moon Lee

(74) *Attorney, Agent, or Firm* — Oliff PLC

(57) **CLAIM**

The ornamental design for a scanner, as shown and described.

**DESCRIPTION**

FIG. 1 is a perspective view of a scanner;

FIG. 2 is a front view thereof;

FIG. 3 is a top view thereof;

FIG. 4 is a right-side view thereof;

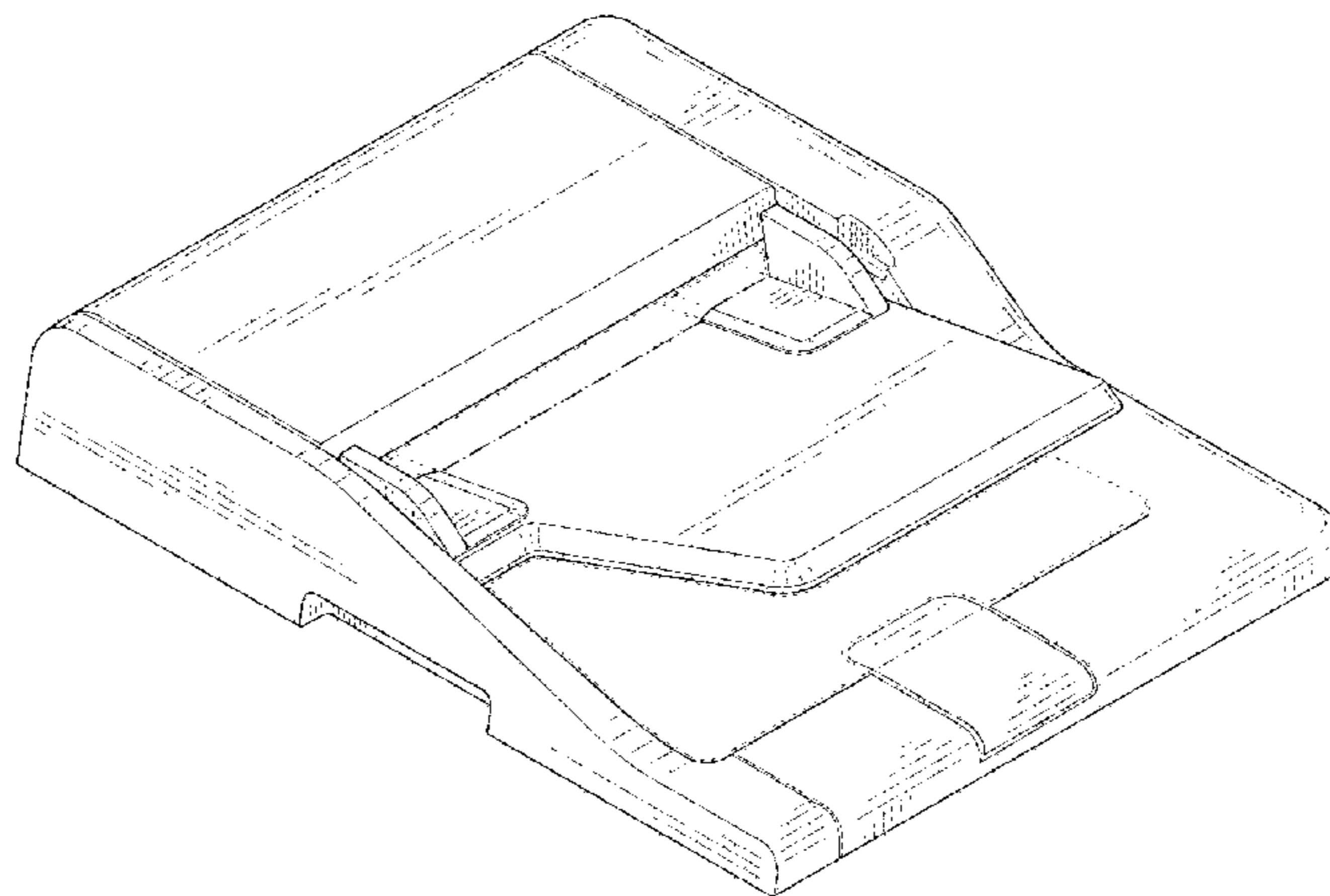
FIG. 5 is a left-side view thereof;

FIG. 6 is a rear view thereof; and,

FIG. 7 is a bottom view thereof.

The broken lines depict environmental subject matter only and form no part of the claimed design. The dot-dash chain lines depict a boundary of the claimed subject matter and form no part of the claimed design.

**1 Claim, 6 Drawing Sheets**



(58) **Field of Classification Search**

CPC ..... B65H 2402/31; B65H 2511/20; B65H 2511/414; B65H 2513/42; B65H 2801/39; B65H 2801/31; B65H 2215/00189; B65H 2215/00194; B65H 2215/00198; B65H 2215/00202; B65H 2215/00206; B65H 2215/20; B65H 2301/00; B65H 2220/04; B65H 3/5261; B65H 2402/30; B65H 2402/32-2402/34; B65H 2402/40; B65H 2402/44; B65H 2402/341; B65H 9/08; B65H 32/02

See application file for complete search history.

(56) **References Cited**

U.S. PATENT DOCUMENTS

D589,550 S \* 3/2009 Clark, III ..... D18/39  
 D611,091 S \* 3/2010 Ishikawa ..... D18/55  
 D626,588 S \* 11/2010 Kim ..... D18/39  
 D639,849 S \* 6/2011 Sato ..... D18/50  
 D650,834 S \* 12/2011 Brown ..... D18/39  
 D688,742 S \* 8/2013 Kim ..... D18/55  
 D689,543 S \* 9/2013 Seki ..... D18/50  
 D691,570 S \* 10/2013 Fleischer  
 D694,316 S \* 11/2013 Jihoon ..... D18/50  
 D695,339 S \* 12/2013 Fukasawa ..... D18/53  
 8,619,273 B2 \* 12/2013 Mukai ..... G03G 15/605  
 358/1.13  
 D697,966 S \* 1/2014 Fukasawa ..... D18/55  
 D697,967 S \* 1/2014 Fukasawa ..... D18/55  
 D699,725 S 2/2014 Sato et al.

D702,760 S \* 4/2014 Kim ..... D18/55  
 D724,142 S \* 3/2015 Kim ..... D18/55  
 D726,249 S \* 4/2015 Kim ..... D18/53  
 D726,250 S \* 4/2015 Kim ..... D18/55  
 D726,251 S \* 4/2015 Kim ..... D18/55  
 D730,356 S 5/2015 Sato et al.  
 D733,711 S 7/2015 Nakagawa et al.  
 D733,712 S 7/2015 Nakagawa  
 D734,338 S 7/2015 Nakagawa  
 D742,960 S \* 11/2015 Lee ..... D18/50  
 9,204,001 B2 \* 12/2015 Shiomi ..... H04N 1/00907  
 D755,286 S \* 5/2016 Kim ..... D18/55  
 D756,361 S \* 5/2016 Huang ..... D14/421  
 D763,958 S \* 8/2016 Kim ..... D18/53  
 D767,676 S \* 9/2016 So ..... D18/56  
 D769,968 S \* 10/2016 So ..... D18/56  
 D778,984 S \* 2/2017 Kim ..... D18/56  
 D780,839 S \* 3/2017 Kim ..... D18/55  
 D780,841 S \* 3/2017 Kim ..... D18/55  
 D785,702 S \* 5/2017 Sato ..... D18/56  
 D788,216 S \* 5/2017 Kim ..... D18/56  
 2003/0164957 A1 \* 9/2003 Komaki ..... G06F 17/214  
 358/1.6  
 2010/0265537 A1 \* 10/2010 Park ..... G06F 13/409  
 358/1.15  
 2012/0038955 A1 \* 2/2012 Ooshio ..... H04N 1/00384  
 358/474  
 2012/0081761 A1 \* 4/2012 Nakamura ..... H04N 1/00803  
 358/474  
 2016/0037012 A1 \* 2/2016 Okado ..... H04N 1/1013  
 358/474  
 2016/0309046 A1 \* 10/2016 Xie ..... H04N 1/0032

\* cited by examiner

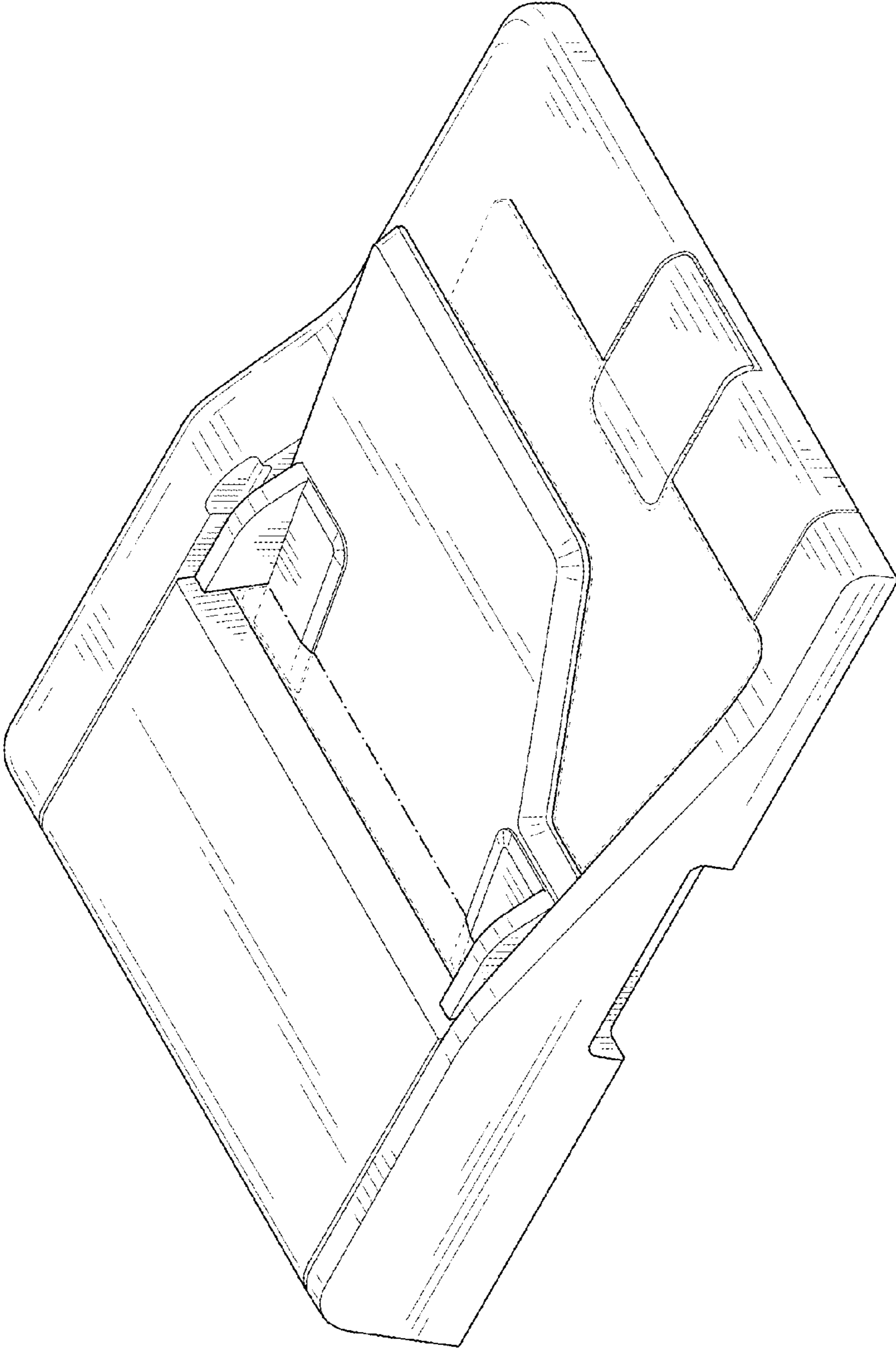


FIG. 1

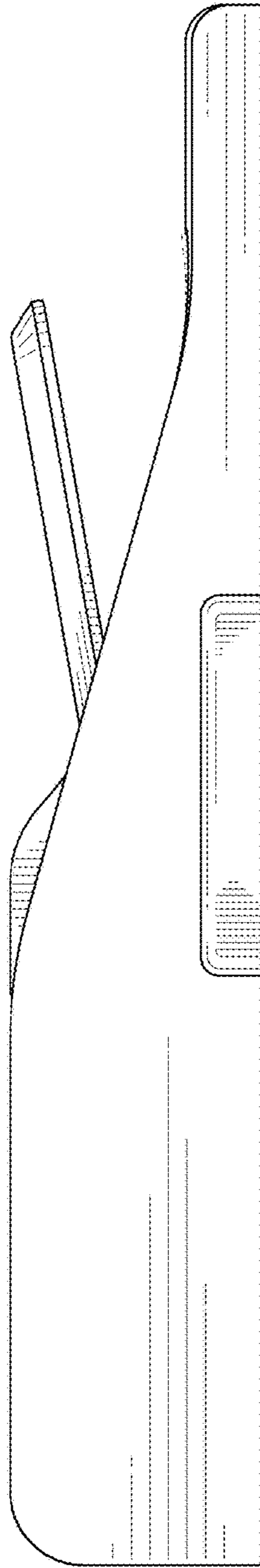


FIG. 2

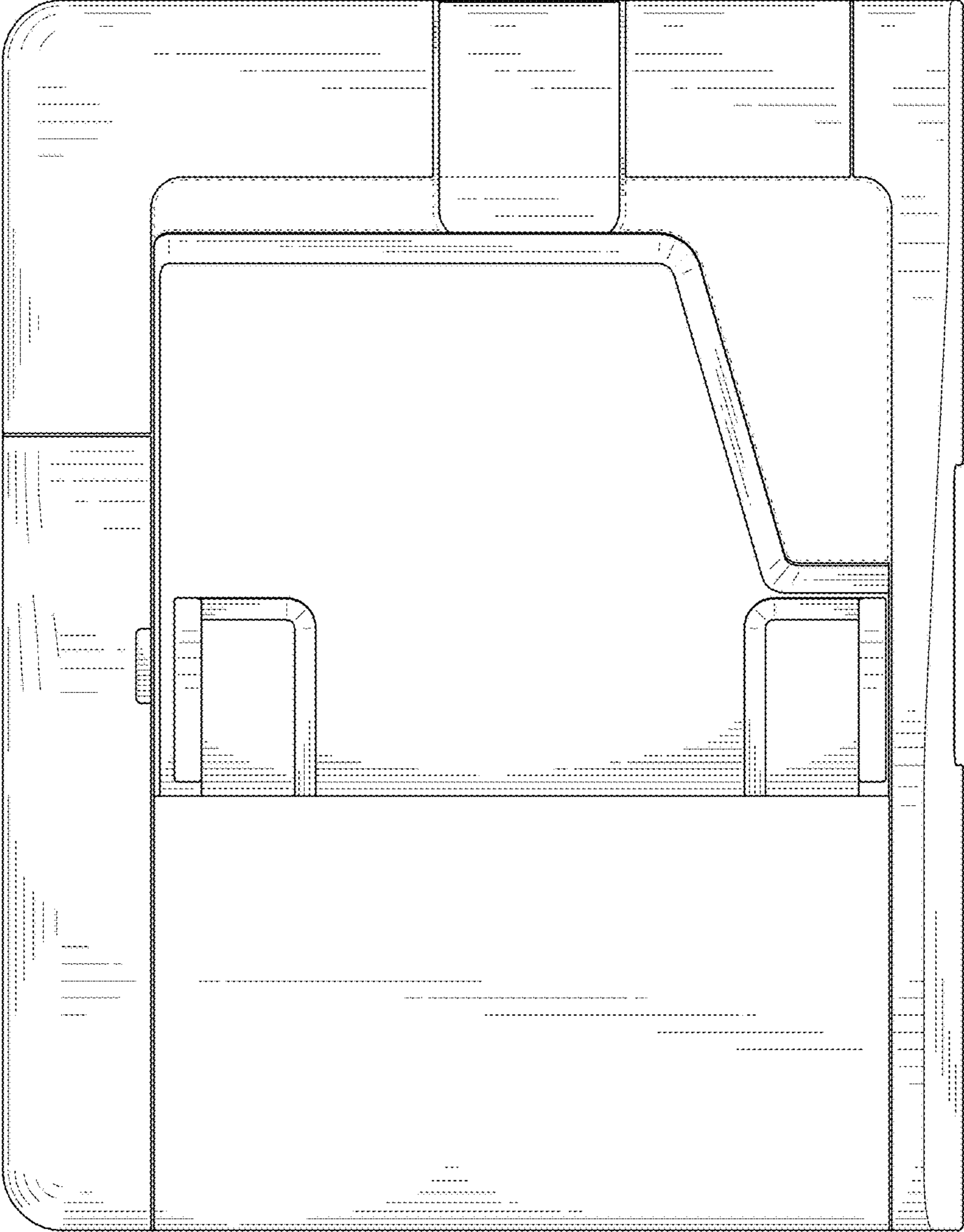


FIG. 3

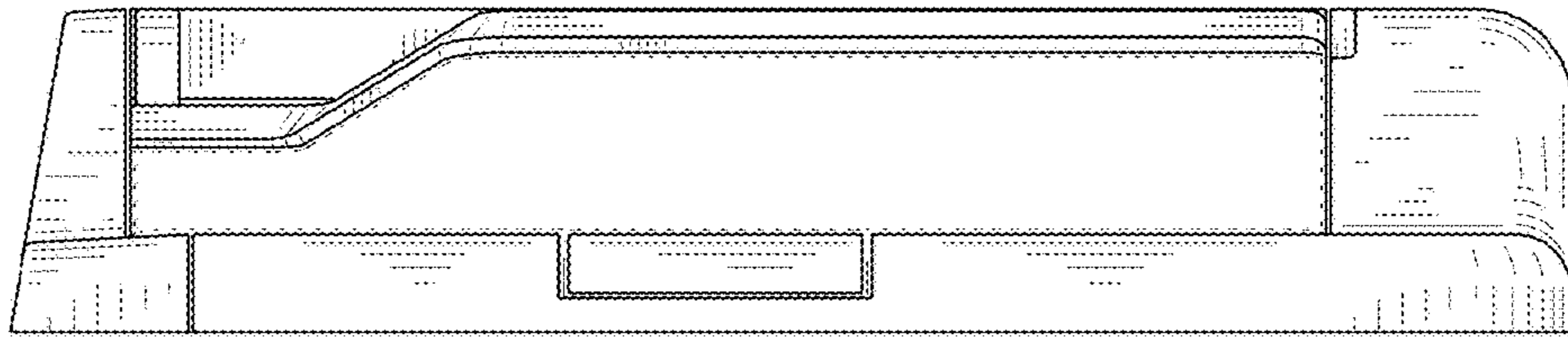


FIG. 4

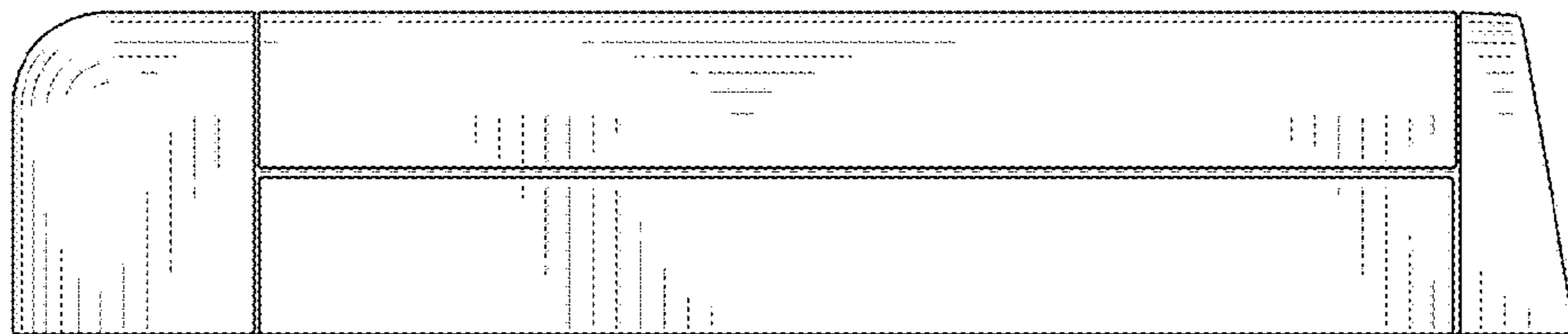


FIG. 5

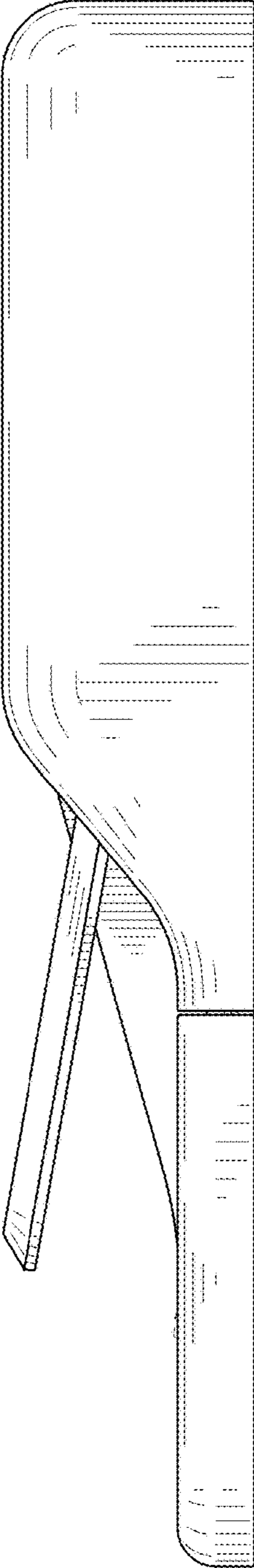


FIG. 6

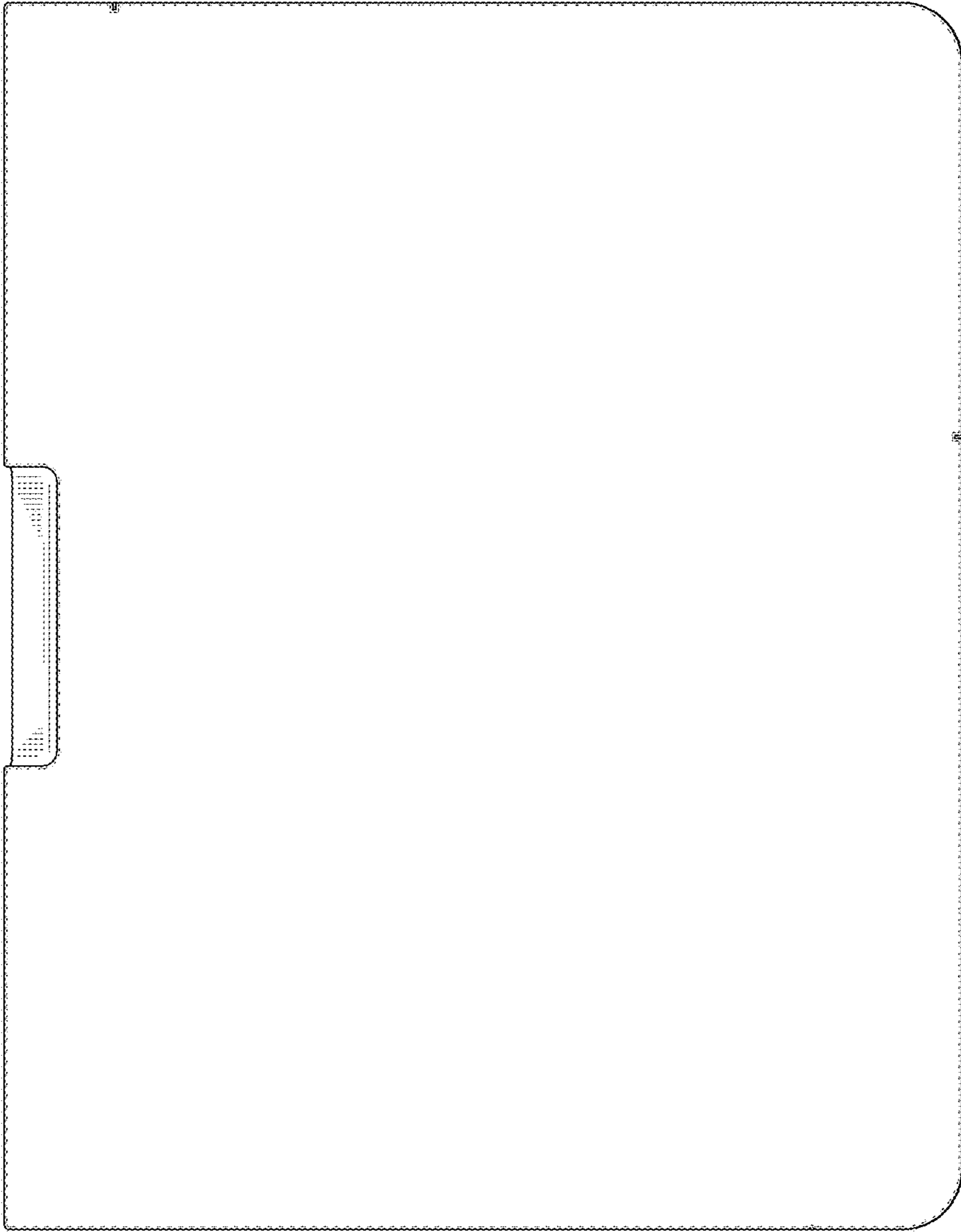


FIG. 7