

US00D800121S

(12) **United States Design Patent** (10) **Patent No.:** **US D800,121 S**  
**Akers, Jr. et al.** (45) **Date of Patent:** **\*\* Oct. 17, 2017**

(54) **OPTICAL SCANNING DEVICE**

(71) Applicant: **Akers BioSciences, Inc.**, Thorofare, NJ (US)

(72) Inventors: **Raymond F. Akers, Jr.**, Sewell, NJ (US); **Richard E. McKee**, Pilesgrove, NJ (US); **Michael Alan Feldman**, Pottstown, PA (US)

(73) Assignee: **Akers Biosciences, Inc.**, Thorofare, NJ (US)

(\*\*) Term: **15 Years**

(21) Appl. No.: **29/564,404**

(22) Filed: **May 12, 2016**

(51) **LOC (10) Cl.** ..... **14-02**

(52) **U.S. Cl.**  
USPC ..... **D14/420**; D24/107; D14/421

(58) **Field of Classification Search**  
USPC ..... D14/420, 421; D18/36; D16/246-248, D16/250; D24/107, 216, 217, 219, 232; 399/378; 358/474, 473, 403, 442, 444, 358/468, 296; 250/234-236, 339.12, 250/339.13; 382/305, 306, 312, 313; 348/231.2, 231.3, 231.99, 231.1, 207.2; 702/24; 600/532, 259, 543, 476; 73/23.3, 23.35, 23.36, 23.37; 436/900, 436/43, 45, 47, 48, 62, 63, 127, 164, 165, 436/174, 181; 356/437, 440, 444; 422/50, 400, 402, 403, 404, 84  
CPC ..... A61B 5/08; A61B 5/083; A61B 5/0833; A61B 5/0836; A61B 5/0935; A61B 5/091; A61B 5/0059; A61B 5/082; A61B 5/0803; A61B 5/0816; A61B 5/097; A61B 2010/0087; A61B 2010/009; A61B 2010/0083; A61B 2576/00; A61B 2562/00; A61B 2562/0285; A61B 2562/08; A61B 2562/085; A61B 2562/16; A61B 10/0096; A61B 2560/0443; A61B 2560/04; A61B 2560/0406; A61B 2560/0462; A61B 2560/0233; A61B

2560/0425; B01L 3/50; G01N 33/497; G01N 33/483; G01N 33/4875; G01N 33/48778; G01N 33/48785; G01N 33/48792; G01N 33/50; G01N 21/783; G01N 21/84; G01N 2021/8405; G01N 30/00; G01N 35/00; G01N

(Continued)

(56) **References Cited**

U.S. PATENT DOCUMENTS

D127,730 S \* 6/1941 Tuttle et al. .... D16/246  
D147,106 S \* 7/1947 Bradstock et al. .... D13/184  
(Continued)

OTHER PUBLICATIONS

Office Action dated Feb. 28, 2017 in JP Application No. 2016-024531.

*Primary Examiner* — Susan Moon Lee  
(74) *Attorney, Agent, or Firm* — Panitch Schwarze Belisario & Nadel LLP

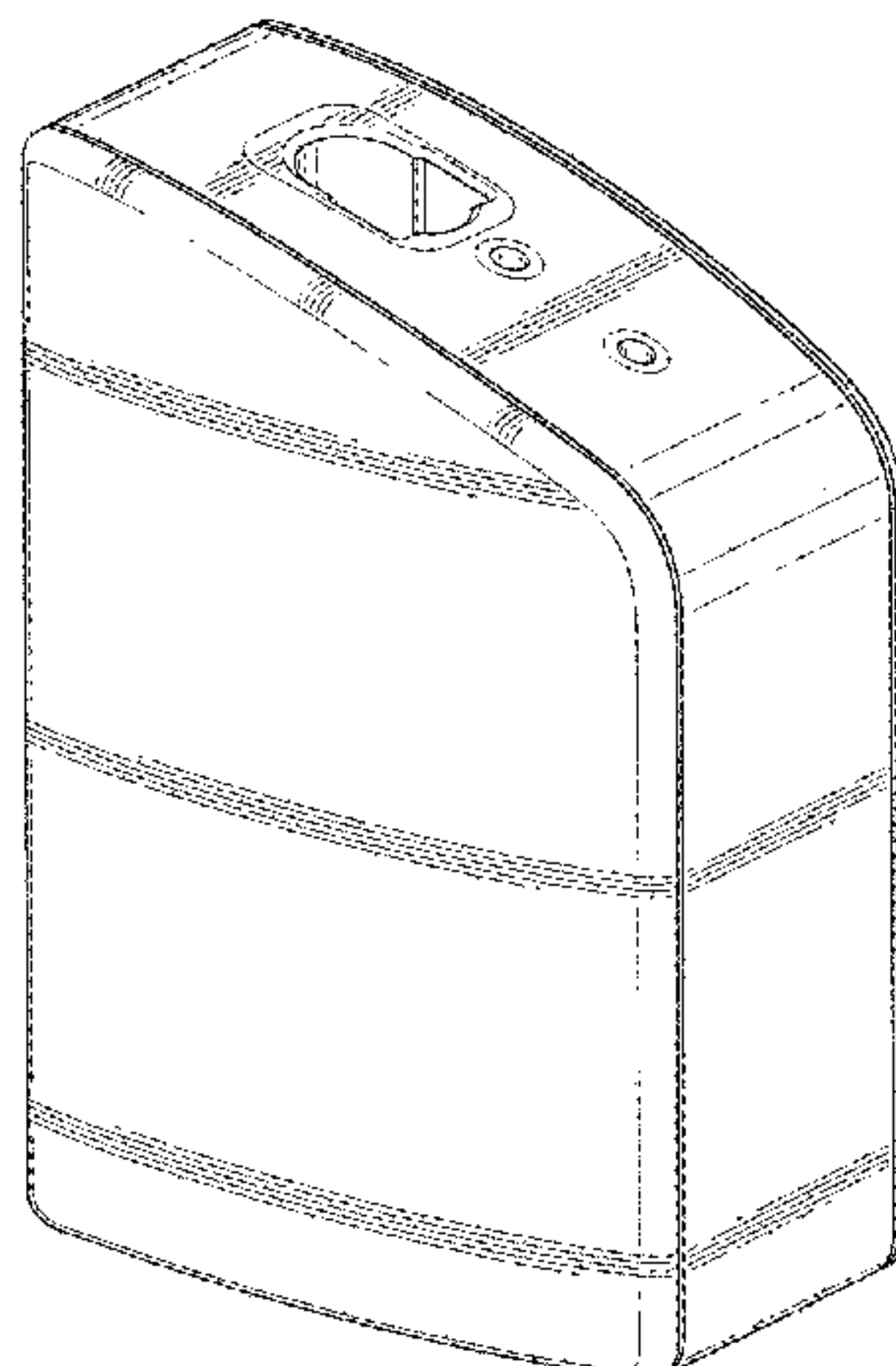
(57) **CLAIM**

The ornamental design for an optical scanning device, as shown and described.

**DESCRIPTION**

FIG. 1 is a front and left side perspective view of an optical scanning device in accordance with our new design; FIG. 2 is a front elevational view thereof; FIG. 3 is a rear elevational view thereof; FIG. 4 is a left side elevational view thereof; a right side elevational view being a mirror image thereof; FIG. 5 is a top plan view thereof; and, FIG. 6 is a bottom plan view thereof. The broken lines in the figures are directed to environment and are for illustrative purposes only; the broken lines form no part of the claimed design.

**1 Claim, 4 Drawing Sheets**





# US D800,121 S

(58) **Field of Classification Search**  
 CPC ..... 2033/4975; G01N 2033/4977; H01J  
 49/0409; H01J 49/0413; H01J 49/0422;  
 Y10S 436/90  
 See application file for complete search history.

(56) **References Cited**

U.S. PATENT DOCUMENTS

2,542,180 A \* 2/1951 Chemlinski ..... A24F 27/14  
 206/45.2  
 2,801,000 A \* 7/1957 Busch ..... B65D 83/0858  
 206/354  
 3,823,865 A \* 7/1974 Mechnick ..... B65D 5/6623  
 206/264  
 D242,258 S \* 11/1976 McPherson ..... D14/453  
 D247,092 S \* 1/1978 Evangelista ..... D9/526  
 D249,931 S \* 10/1978 Russert ..... D9/417  
 D250,573 S \* 12/1978 Evangelista ..... D9/526  
 D252,558 S \* 8/1979 Beck ..... D27/184  
 D264,127 S \* 4/1982 Peterson ..... D24/224  
 D308,863 S \* 6/1990 Soren ..... D14/384  
 4,971,243 A \* 11/1990 Lisiecki ..... B65D 11/105  
 229/122.23  
 D326,869 S \* 6/1992 Steckler ..... D19/86  
 D328,431 S \* 8/1992 Skidmore ..... D9/417  
 D329,381 S \* 9/1992 Klapwald ..... D9/529  
 D337,052 S \* 7/1993 Anderson ..... D3/203.2  
 D340,642 S \* 10/1993 Detzel ..... D9/417  
 5,279,791 A \* 1/1994 Aldrich ..... B01L 3/502715  
 422/404  
 D347,479 S \* 5/1994 Hansen ..... D24/121  
 D354,939 S \* 1/1995 Jensen ..... D13/133  
 5,402,933 A \* 4/1995 Behrmann ..... B65D 5/705  
 229/219  
 D359,361 S \* 6/1995 Swift ..... D24/121  
 D369,923 S \* 5/1996 Crane, Jr. .... D14/302  
 D379,363 S \* 5/1997 Nelson ..... D16/247  
 D382,862 S \* 8/1997 Nakayama ..... D14/384  
 5,663,762 A \* 9/1997 Nishiyama ..... H04N 1/195  
 348/240.3  
 D393,837 S \* 4/1998 Umetsu ..... D14/384  
 D397,683 S \* 9/1998 Sakamoto ..... D14/384  
 5,829,637 A \* 11/1998 Takemura ..... B65D 77/065  
 222/105  
 D421,653 S \* 3/2000 Purcell ..... D24/216  
 D423,665 S \* 4/2000 Herbst ..... D24/107  
 D425,881 S \* 5/2000 Borza ..... D14/384  
 D427,594 S \* 7/2000 Lai ..... D14/349  
 D430,025 S \* 8/2000 Kelsey ..... D9/432  
 D433,941 S \* 11/2000 Kelsey ..... D9/432  
 6,146,217 A \* 11/2000 Osada ..... H01R 4/4836  
 439/441  
 D435,788 S \* 1/2001 Bunning ..... D8/382  
 D439,519 S \* 3/2001 Ruble ..... D9/523  
 D443,504 S \* 6/2001 Benz ..... D8/382  
 6,254,547 B1 \* 7/2001 Phillips ..... G01N 33/497  
 436/64  
 D458,253 S \* 6/2002 Wei ..... D14/349  
 D459,348 S \* 6/2002 Wei ..... D14/349  
 D459,349 S \* 6/2002 Wei ..... D14/349  
 6,419,151 B1 \* 7/2002 Urtubey ..... B65D 5/745  
 229/125.42  
 D474,280 S \* 5/2003 Niedbala ..... D24/231  
 D478,069 S \* 8/2003 Beck ..... D14/240  
 D478,078 S \* 8/2003 Miao ..... D14/349  
 6,689,955 B2 \* 2/2004 Doutaz ..... H01R 4/4836  
 174/135  
 D490,155 S \* 5/2004 Nakamura ..... D24/164  
 D490,802 S \* 6/2004 Beck ..... D14/240  
 D494,574 S \* 8/2004 Schmidt ..... D14/240  
 D495,329 S \* 8/2004 Peng ..... D14/352  
 D497,908 S \* 11/2004 Poole ..... D14/349  
 D501,203 S \* 1/2005 Brown ..... D14/240  
 D502,097 S \* 2/2005 Holthaus ..... D9/430  
 D502,704 S \* 3/2005 Cervantes ..... D14/349

D510,438 S \* 10/2005 Kondo ..... D14/441  
 D512,712 S \* 12/2005 Brown ..... D14/240  
 D515,086 S \* 2/2006 Diamond ..... D14/356  
 D518,481 S \* 4/2006 Chen ..... D14/349  
 D522,505 S \* 6/2006 Sun ..... D14/349  
 D524,309 S \* 7/2006 Zhang ..... D14/349  
 D527,043 S \* 8/2006 Borne ..... D18/19  
 D535,653 S \* 1/2007 Chen ..... D14/349  
 D537,951 S \* 3/2007 Okamoto ..... D24/233  
 D538,437 S \* 3/2007 Yue ..... D24/217  
 D545,307 S \* 6/2007 Lauffer ..... D14/349  
 D545,308 S \* 6/2007 Lauffer ..... D14/349  
 D556,035 S \* 11/2007 Peeters ..... D9/417  
 D566,265 S \* 4/2008 Hochman ..... D24/107  
 D568,724 S \* 5/2008 Schwartz ..... D8/356  
 D573,889 S \* 7/2008 Short ..... D9/417  
 D573,951 S \* 7/2008 Schwartz ..... D13/139.1  
 D573,952 S \* 7/2008 Schwartz ..... D13/139.1  
 D579,540 S \* 10/2008 Hochman ..... D24/107  
 D581,823 S \* 12/2008 Mori ..... D10/81  
 D586,221 S \* 2/2009 Shaikh ..... D9/523  
 D595,330 S \* 6/2009 Hsu ..... D16/246  
 D600,990 S \* 9/2009 Schrader ..... D13/120  
 D604,732 S \* 11/2009 Sun ..... D14/349  
 D607,569 S \* 1/2010 Yukikado ..... D10/81  
 D610,435 S \* 2/2010 Schwartz ..... D13/139.4  
 D610,698 S \* 2/2010 Laudo ..... D24/216  
 D610,699 S \* 2/2010 Laudo ..... D24/216  
 D611,040 S \* 3/2010 Neu ..... D14/240  
 D614,620 S \* 4/2010 Haase ..... D14/349  
 D615,975 S \* 5/2010 Lin ..... D14/356  
 D617,198 S \* 6/2010 Lee ..... D9/453  
 D628,469 S \* 12/2010 Taylor ..... D9/420  
 D637,074 S \* 5/2011 Maki ..... D9/417  
 D639,298 S \* 6/2011 Bouthillier ..... D14/357  
 D640,647 S \* 6/2011 Juan ..... D14/125  
 D646,162 S \* 10/2011 Taylor ..... D9/420  
 D647,523 S \* 10/2011 Su ..... D14/349  
 8,088,333 B2 \* 1/2012 Ahmad ..... A61B 5/083  
 422/50  
 D658,981 S \* 5/2012 Taylor ..... D9/434  
 D660,143 S \* 5/2012 Stowe ..... D9/417  
 D665,917 S \* 8/2012 TerMaat ..... D24/216  
 D670,999 S \* 11/2012 Stowe ..... D9/416  
 D673,035 S \* 12/2012 Betzig ..... D9/420  
 D684,042 S \* 6/2013 Betzig ..... D9/420  
 D684,270 S \* 6/2013 Chang ..... D24/216  
 D689,864 S \* 9/2013 Vaughan ..... D14/421  
 D692,115 S \* 10/2013 Ramberg ..... D23/365  
 D701,898 S \* 4/2014 Nakata ..... D18/19  
 D707,226 S \* 6/2014 DePaula ..... D14/357  
 D712,066 S \* 8/2014 Noda ..... D24/216  
 D715,356 S \* 10/2014 Nakagawa ..... D18/19  
 D715,426 S \* 10/2014 Oonuma ..... D24/186  
 D715,658 S \* 10/2014 Callaghan ..... D9/416  
 D724,128 S \* 3/2015 Muraoka ..... D16/131  
 9,067,441 B2 \* 6/2015 Tanaka ..... B41J 15/044  
 9,174,472 B2 \* 11/2015 Kawai ..... B41J 15/00  
 D745,598 S \* 12/2015 Nakayama ..... D18/19  
 D752,137 S \* 3/2016 Mita ..... D18/19  
 D765,263 S \* 8/2016 Nelson ..... D24/217  
 9,469,140 B2 \* 10/2016 Tanaka ..... B41J 15/042  
 D772,086 S \* 11/2016 Schueren ..... D10/81  
 9,518,991 B2 \* 12/2016 Ahmad ..... G01N 33/497  
 9,597,860 B2 \* 3/2017 Zheng ..... B32B 7/12  
 D783,303 S \* 4/2017 Roche ..... D6/515  
 D786,872 S \* 5/2017 Akers, Jr. .... D14/411  
 2005/0211754 A1 \* 9/2005 Fulcher ..... B65D 77/065  
 229/117.3  
 2007/0178747 A1 \* 8/2007 Schrader ..... H01R 4/4827  
 439/441  
 2008/0006680 A1 \* 1/2008 Hernandez ..... B65D 5/563  
 229/125.15  
 2009/0167854 A1 \* 7/2009 Hsu ..... H04N 1/00241  
 348/96  
 2010/0019022 A1 \* 1/2010 Ryan ..... B65D 5/563  
 229/122  
 2011/0098590 A1 \* 4/2011 Garbutt ..... A61B 5/0059  
 600/532

(56)

**References Cited**

U.S. PATENT DOCUMENTS

2011/0315585 A1\* 12/2011 Meyer ..... A61F 13/5511  
206/440  
2012/0231548 A1\* 9/2012 Akers, Jr. .... B01L 3/502  
436/128  
2012/0308990 A1\* 12/2012 TerMaat ..... B01L 7/52  
435/3  
2014/0084103 A1\* 3/2014 Tanaka ..... B41J 15/044  
242/538  
2014/0276100 A1\* 9/2014 Satterfield ..... A61B 5/082  
600/476  
2015/0053351 A1\* 2/2015 Tanaka ..... B65H 37/002  
156/538  
2016/0242674 A1\* 8/2016 Ahmad ..... A61B 5/082  
2016/0345910 A1\* 12/2016 Ahmad ..... A61B 5/082  
2017/0119280 A1\* 5/2017 Ahmad ..... A61B 5/097

\* cited by examiner

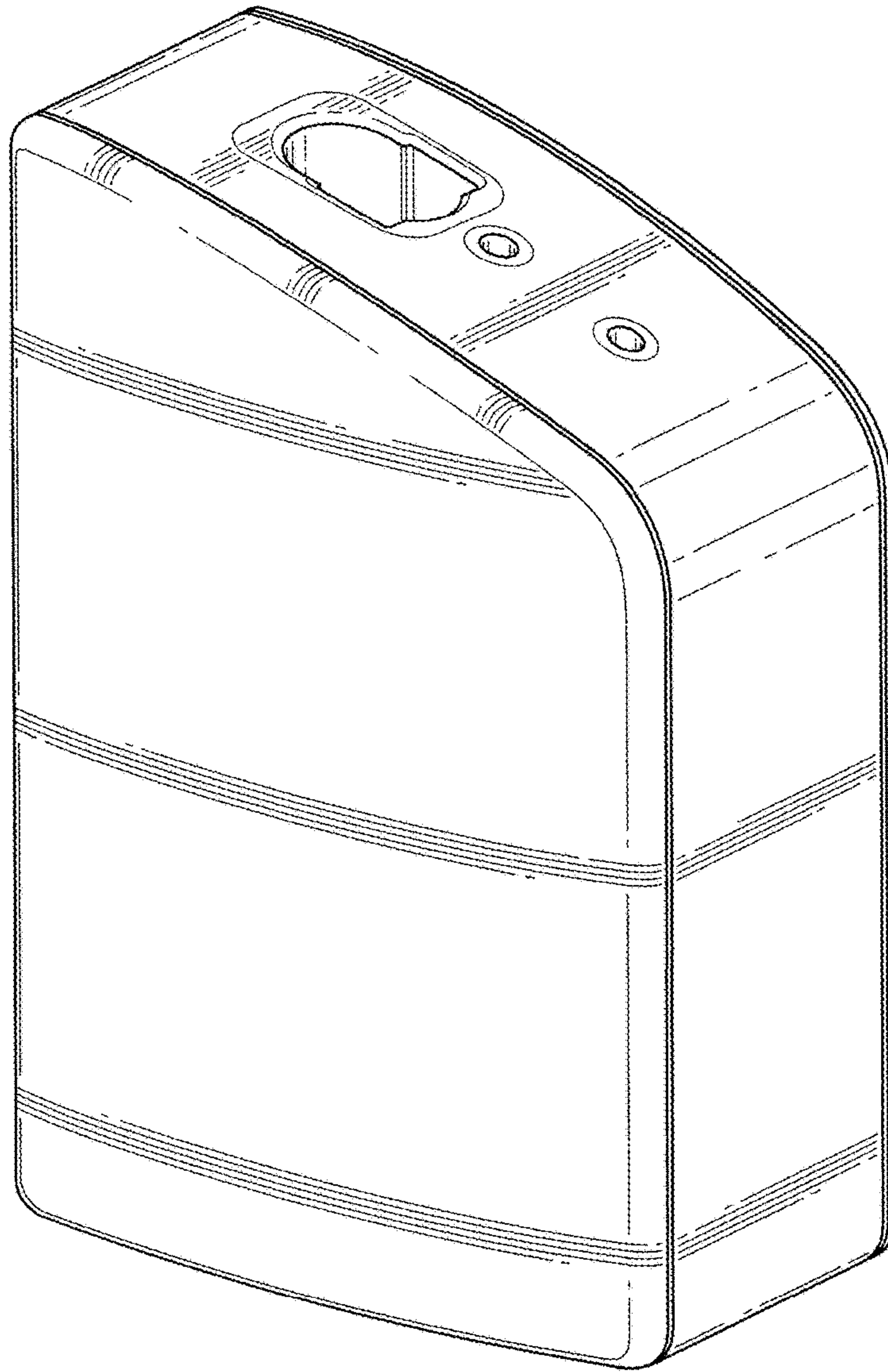
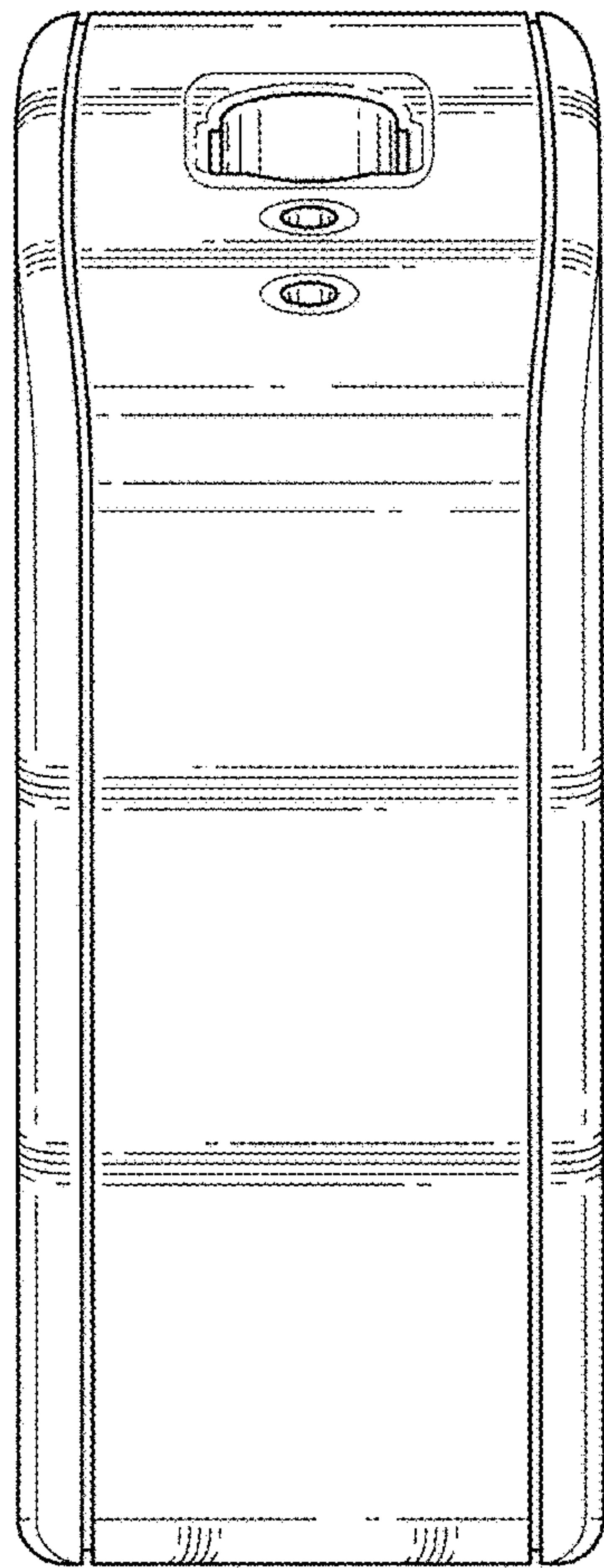
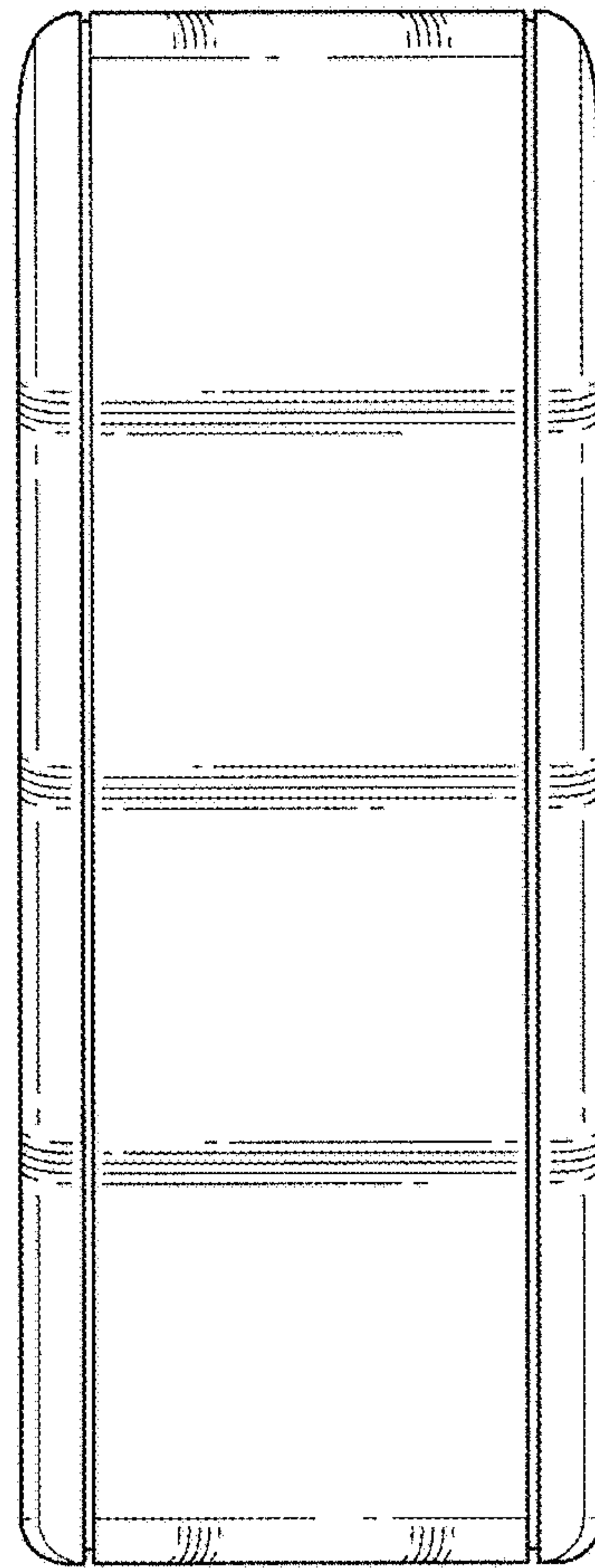


FIG. 1





**FIG. 2**



**FIG. 3**

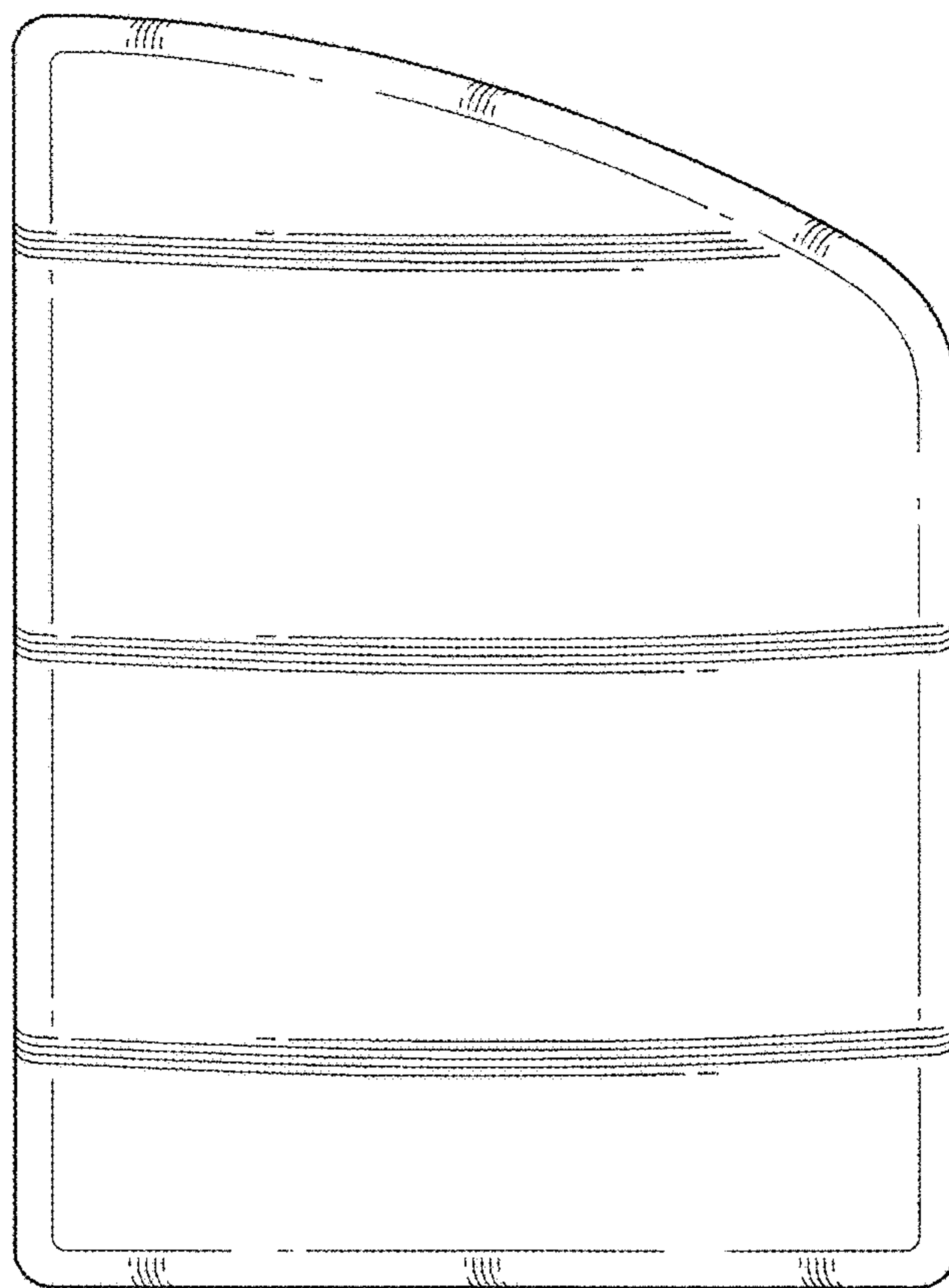


FIG. 4

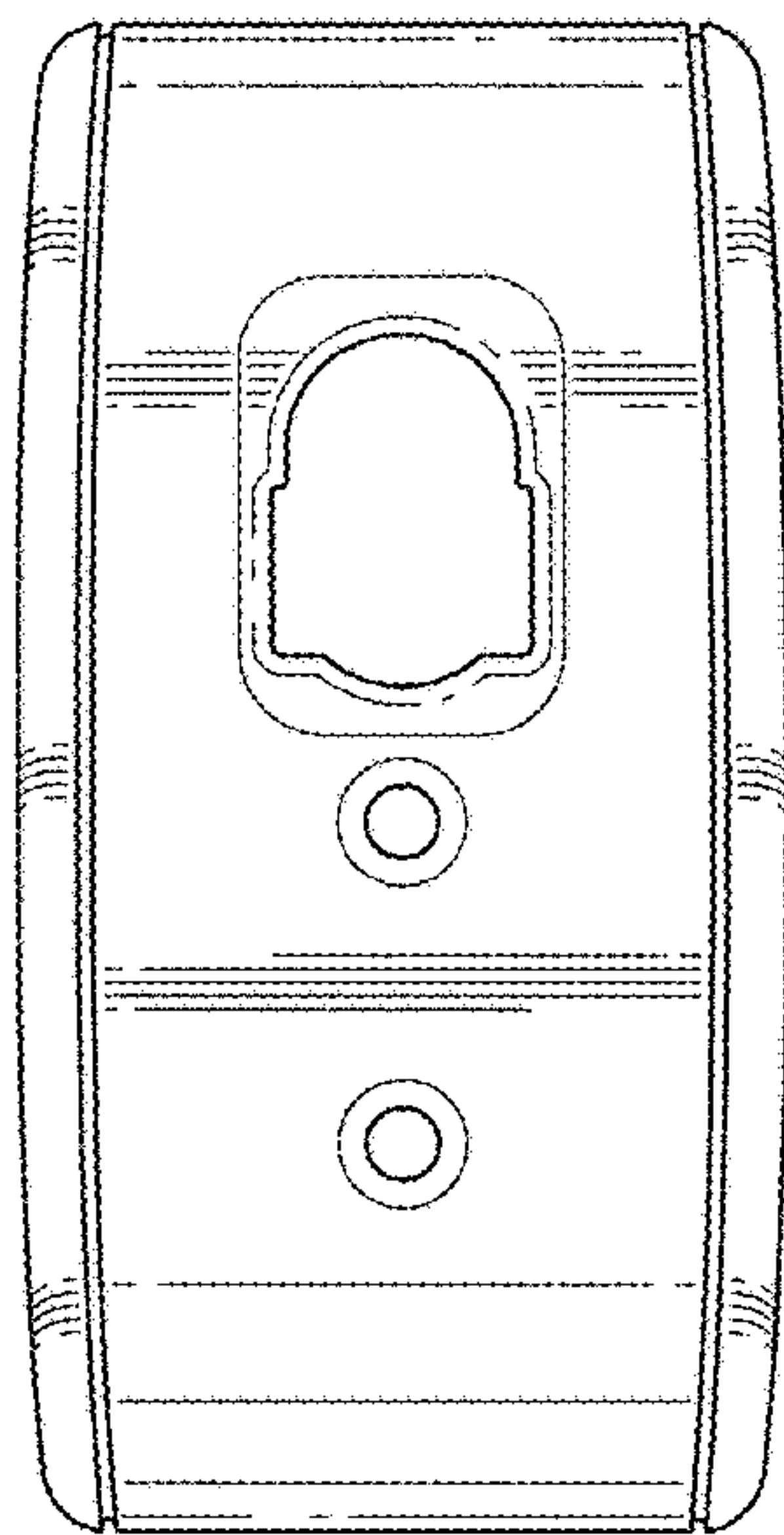


FIG. 5

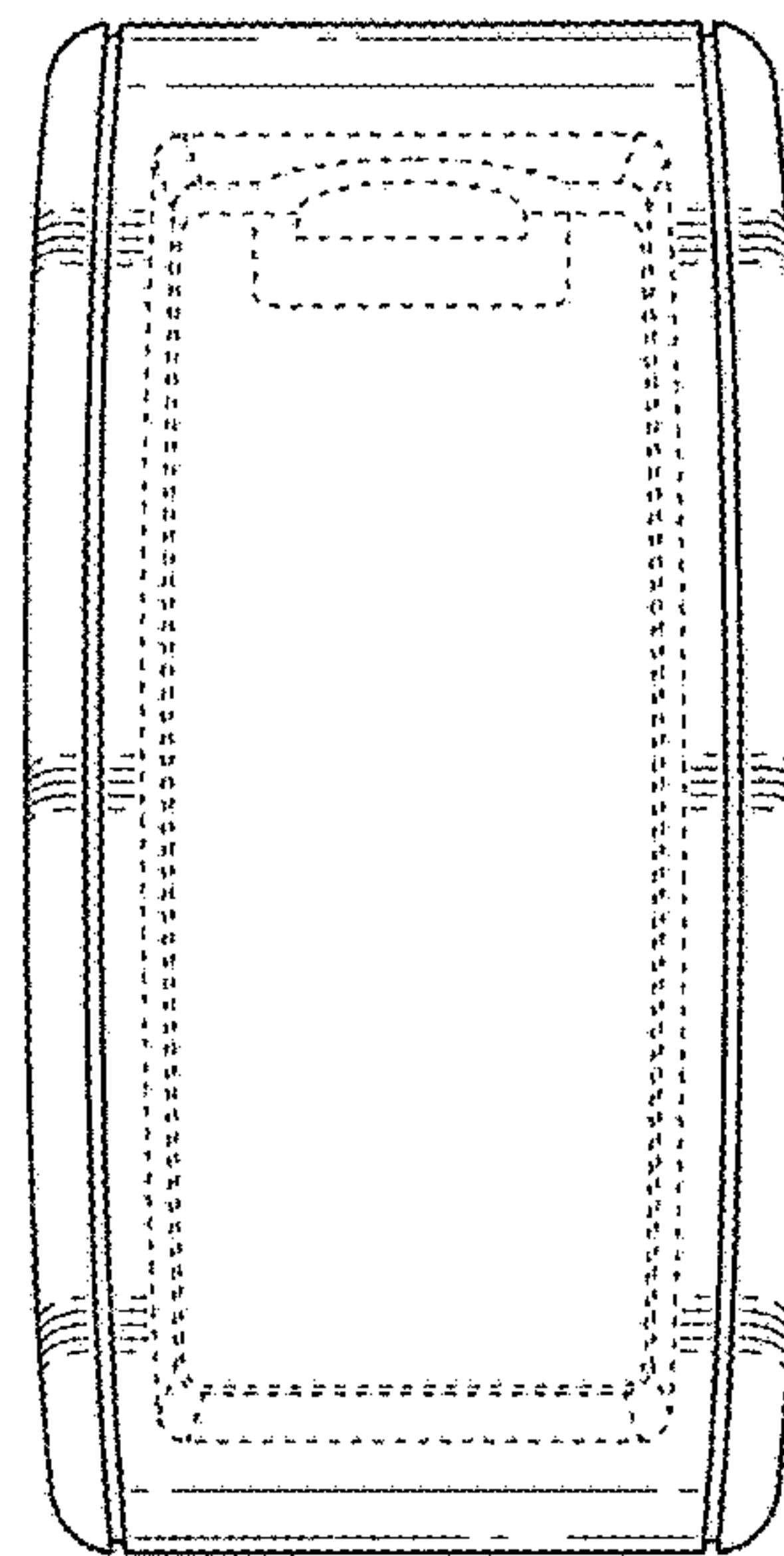


FIG. 6