



US00D800120S

(12) **United States Design Patent** (10) **Patent No.:** **US D800,120 S**
Ciabattoni (45) **Date of Patent:** **** Oct. 17, 2017**

(54) **OPTICAL SCANNER**

- (71) Applicant: **Datalogic IP Tech S.r.l.**, Lippo di Calderara di Reno (IT)
- (72) Inventor: **Stefano Ciabattoni**, Ozzano dell'Emilia (IT)
- (73) Assignee: **DATALOGIC IP TECH S.R.L.**, Lippo di Calderara di Reno (Bologna) (IT)
- (**) Term: **15 Years**
- (21) Appl. No.: **29/542,265**
- (22) Filed: **Oct. 13, 2015**

Related U.S. Application Data

- (62) Division of application No. 29/510,776, filed on Dec. 3, 2014, now Pat. No. Des. 743,397.

(30) **Foreign Application Priority Data**

- Jun. 20, 2014 (EM) 002486514
- (51) **LOC (10) Cl.** **14-02**
- (52) **U.S. Cl.**
USPC **D14/420**
- (58) **Field of Classification Search**
USPC D14/420, 426-430, 453; 235/462.01, 235/462.11, 462.43, 462.45, 462.49,
(Continued)

(56) **References Cited**

U.S. PATENT DOCUMENTS

- D295,413 S 4/1988 Nakamura et al.
 - D314,187 S 1/1991 Richards et al.
- (Continued)

FOREIGN PATENT DOCUMENTS

- EM 002197715-0001 3/2013
 - EM 002197715-0002 3/2013
- (Continued)

OTHER PUBLICATIONS

Datalogic Matrix 300™ barcode reader product information, Datalogic S.p. A.—Vat No. 01835711209 Copyright 2008-2014, <http://www.datalogic.com/eng/products/industrial-automation/fixed-industrial-barcode-readers/matrix-300-pd-609.html>, accessed on Dec. 4, 2014.

Primary Examiner — Susan Moon Lee
(74) *Attorney, Agent, or Firm* — Duane Morris LLP

(57) **CLAIM**

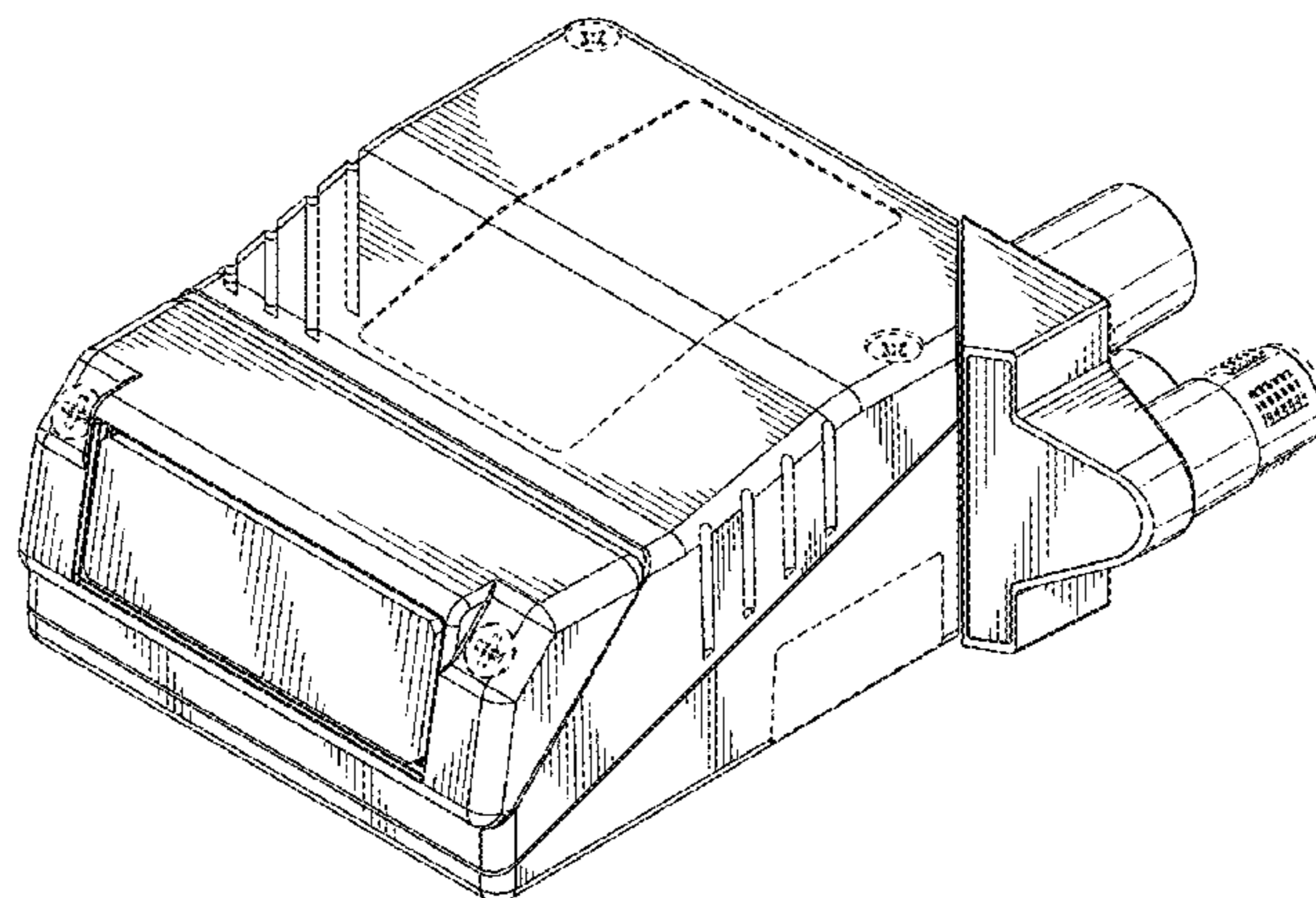
I claim the ornamental design for an optical scanner, as shown and described.

DESCRIPTION

FIG. 1 is a perspective front view of an optical scanner according to the present invention.
 FIG. 2 is a top view of the optical scanner of FIG. 1.
 FIG. 3 is a bottom view of the optical scanner of FIG. 1.
 FIG. 4 is a right side elevation view of the optical scanner of FIG. 1.
 FIG. 5 is a left side elevation view of the optical scanner of FIG. 1.
 FIG. 6 is a front elevation view of the optical scanner of FIG. 1.
 FIG. 7 is a rear elevation view of the optical scanner of FIG. 1.
 FIG. 8 is a perspective front view of another embodiment of an optical scanner according to the present invention.
 FIG. 9 is a top view of the optical scanner of FIG. 8.
 FIG. 10 is a bottom view of the optical scanner of FIG. 8.
 FIG. 11 is a right side elevation view of the optical scanner of FIG. 8.
 FIG. 12 is a left side elevation view of the optical scanner of FIG. 8.
 FIG. 13 is a front elevation view of the optical scanner of FIG. 8; and,
 FIG. 14 is a rear elevation view of the optical scanner of FIG. 8.

Broken lines and unshaded portions contained within broken lines depict either parts of the optical scanner that form no part of the present claimed design or exemplary elements

(Continued)



that might be used in conjunction with the optical scanner that are shown for illustrative purposes only and that form no part of the claimed design.

1 Claim, 14 Drawing Sheets

(58) Field of Classification Search

USPC .. 235/472.01, 385, 454, 435, 439-441, 375, 235/444, 456, 459, 462.14, 462.17, 462.2, 235/462.21, 490, 494, 476, 462.22, 235/462.32, 462.35; 382/313, 321, 318; 358/473; 250/215, 216, 566; D26/37-50, 24; 362/157, 158, 171-174, 362/183-208; 396/427; D24/158
 CPC G06K 7/10584; G06K 7/10613; G06K 7/10881; G06K 7/109; G06K 7/10693; G06K 7/10871; G06K 7/1096; G06K 7/10; G06K 7/10564; G06K 7/10594; G06K 7/10603; G06K 7/10663; G06K 7/10673; G06K 7/10702; G06K 7/10792; G06K 7/10633; G06K 7/10653; G06K 7/10891; G06K 7/14; G06K 7/1443; G06K 7/10801; G06K 7/10811; G06K 7/10851; G06K 7/10861; G06K 2207/1011; G06K 2207/1012; G06K 2207/1013; G06K 2207/1016; G06K 2207/1017; G06K 2207/1018; G06K 2207/10534; G06K 17/0022; G06K 7/04; G06K 7/1404; G06K 7/1447; G06K 7/10623; G06K 7/10683; G06K 7/10821; A47F 9/046; A47F 9/047; G07G 1/0045; G04N 5/23238; G04N 5/2252; G04N 5/2251; G03B 17/02; B25H 5/00; B66F 7/28; G02B 26/10; G02B 26/106; G07F 11/002; G07F 11/02; G06Q 20/343; G06F 2203/0331

See application file for complete search history.

(56) References Cited

U.S. PATENT DOCUMENTS

D324,244 S 2/1992 Stamper et al.
 D335,661 S 5/1993 Sheppard
 D335,662 S 5/1993 Sheppard
 D342,245 S 12/1993 Krichever et al.
 5,342,210 A 8/1994 Trine et al.
 5,343,029 A 8/1994 Katoh et al.
 5,448,050 A 9/1995 Kostizak et al.
 D372,234 S 7/1996 LaManna et al.
 D372,708 S 8/1996 Hetherington

5,548,106 A * 8/1996 Liang G06K 7/10851
 235/454
 D375,090 S 10/1996 Lambert et al.
 D391,250 S 2/1998 Swift et al.
 5,745,794 A 4/1998 Poloniewicz et al.
 5,751,431 A 5/1998 Taka et al.
 5,779,499 A 7/1998 Sette et al.
 D407,376 S 3/1999 Copeland et al.
 6,149,463 A 11/2000 Hashizawa et al.
 D438,510 S 3/2001 Leen
 6,318,635 B1 * 11/2001 Stoner G06K 7/10722
 235/462.32
 6,328,579 B1 12/2001 Mori et al.
 D462,688 S 9/2002 Schieffers et al.
 D462,724 S 9/2002 Sugino
 D462,964 S 9/2002 Croley et al.
 D483,373 S 12/2003 Huang
 D507,273 S 7/2005 Ibuki
 D519,085 S 4/2006 Gull et al.
 7,090,514 B2 8/2006 Lu
 7,094,076 B2 8/2006 Hatakeyama
 7,198,495 B1 4/2007 Youtsey
 D547,761 S 7/2007 Hui
 7,393,218 B1 7/2008 Pavlovic et al.
 D585,066 S 1/2009 Morris et al.
 D608,286 S 1/2010 Stutz
 D689,440 S 9/2013 Lee et al.
 D689,495 S 9/2013 Bentley et al.
 D708,142 S 7/2014 Luther et al.
 D714,940 S * 10/2014 Kim D24/158
 8,951,071 B2 2/2015 Tziviskos et al.
 D726,118 S 4/2015 Petrick et al.
 D730,833 S 6/2015 Lewis et al.
 D743,397 S * 11/2015 Ciabattoni D14/420
 2002/0089675 A1 7/2002 Kamon et al.
 2004/0149829 A1 8/2004 Boucher et al.
 2007/0125864 A1 6/2007 Hayakawa
 2008/0185440 A1 8/2008 Kawasaki
 2008/0245982 A1 * 10/2008 Vonmetz G06K 7/10613
 250/566
 2009/0230194 A1 9/2009 Calderon
 2010/0133344 A1 6/2010 Yamanouchi et al.
 2013/0038985 A1 2/2013 Powell et al.
 2013/0314485 A1 11/2013 Ohnishi
 2013/0341495 A1 12/2013 Fabbri et al.
 2014/0319218 A1 10/2014 Harbison et al.
 2015/0371071 A1 * 12/2015 Ciabattoni G06K 9/20
 235/454
 2016/0285216 A1 * 9/2016 Bury H01R 9/26
 2016/0365686 A1 * 12/2016 Lu H01R 24/38
 2016/0365687 A1 * 12/2016 Lu H01R 24/38

FOREIGN PATENT DOCUMENTS

EM 002197715-0003 3/2013
 EM 002197715-0004 3/2013
 EM 002197715-0005 3/2013
 EM 002197715-0006 3/2013
 EM 002197715-0007 3/2013

* cited by examiner

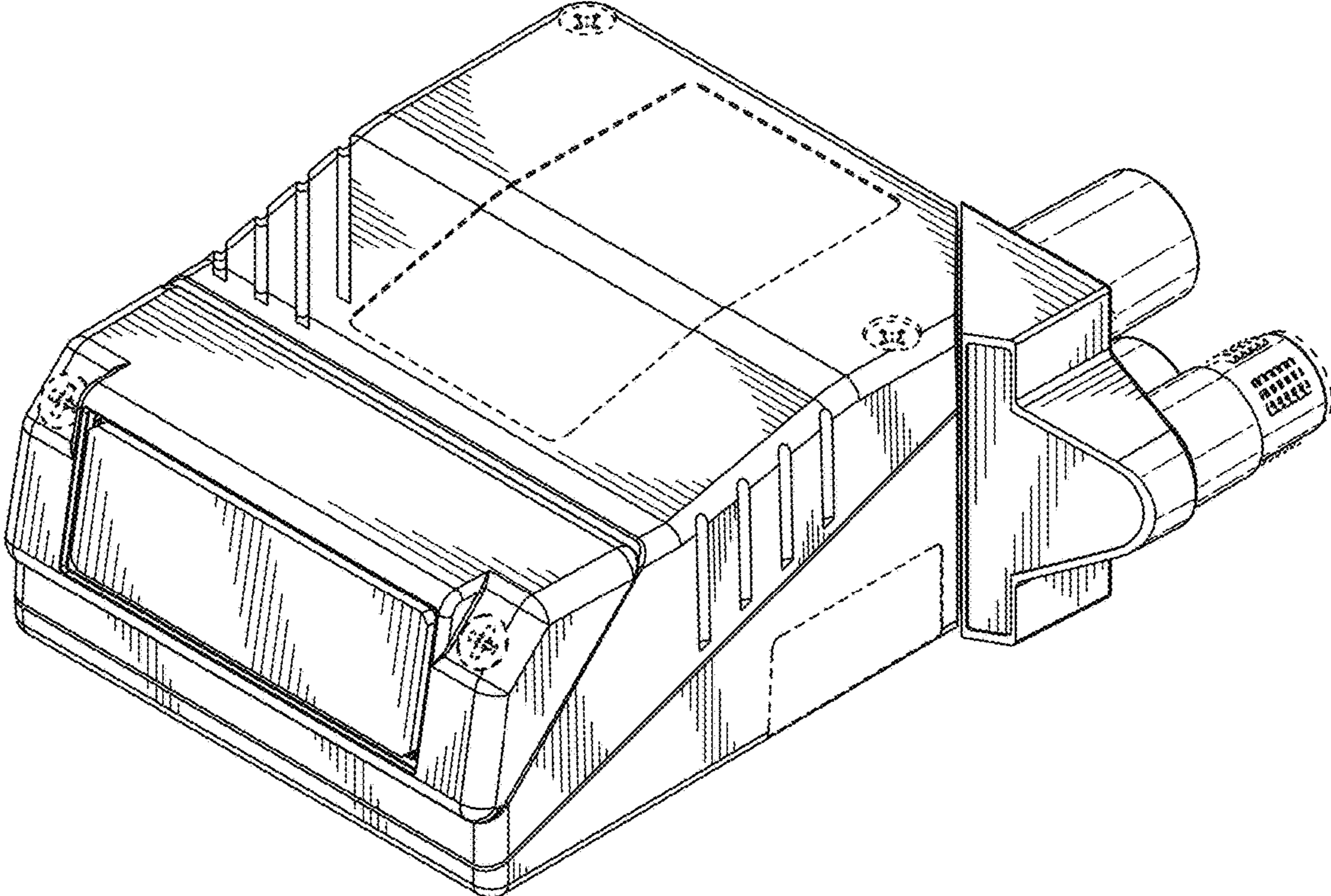


FIG. 1

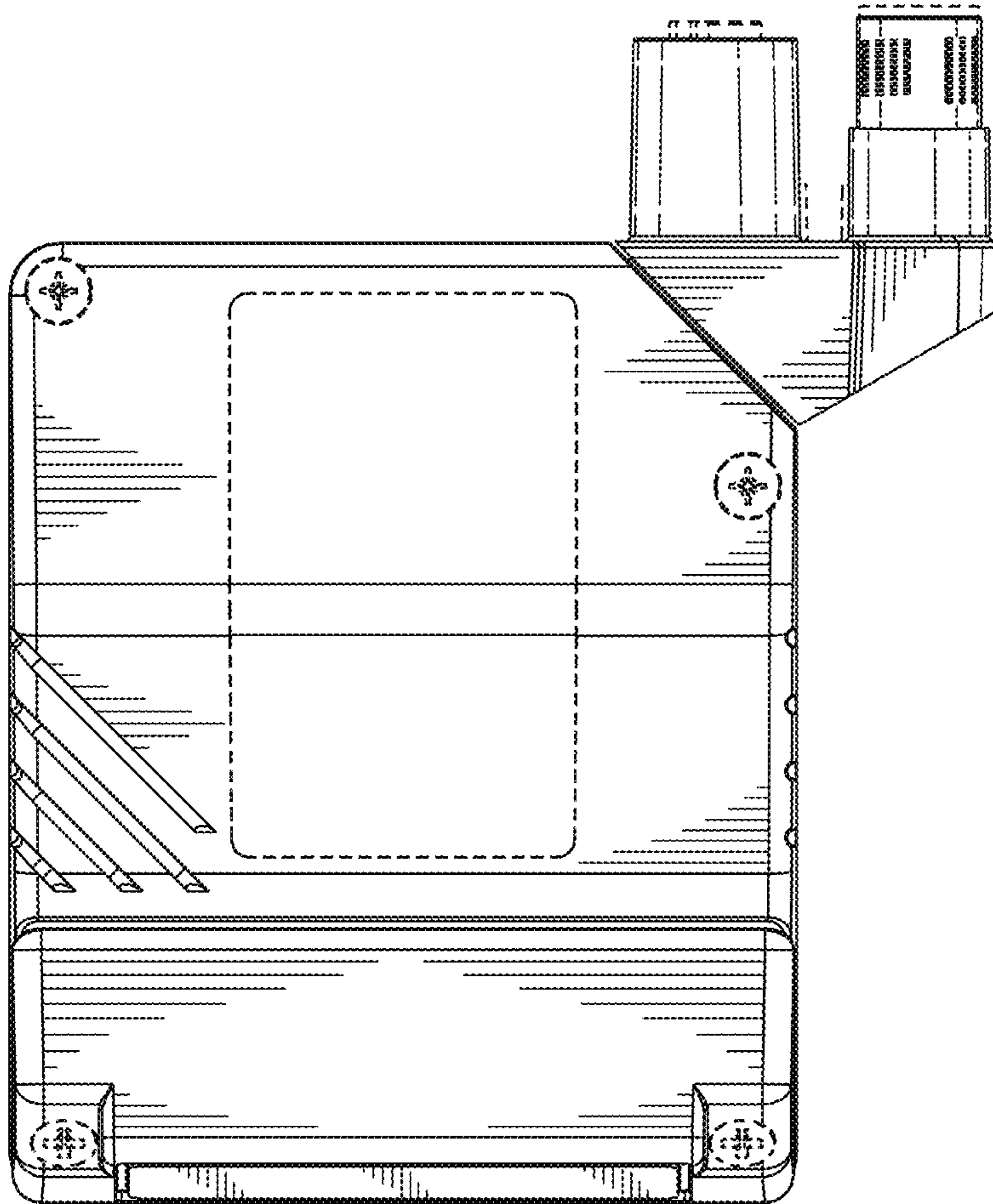


FIG. 2

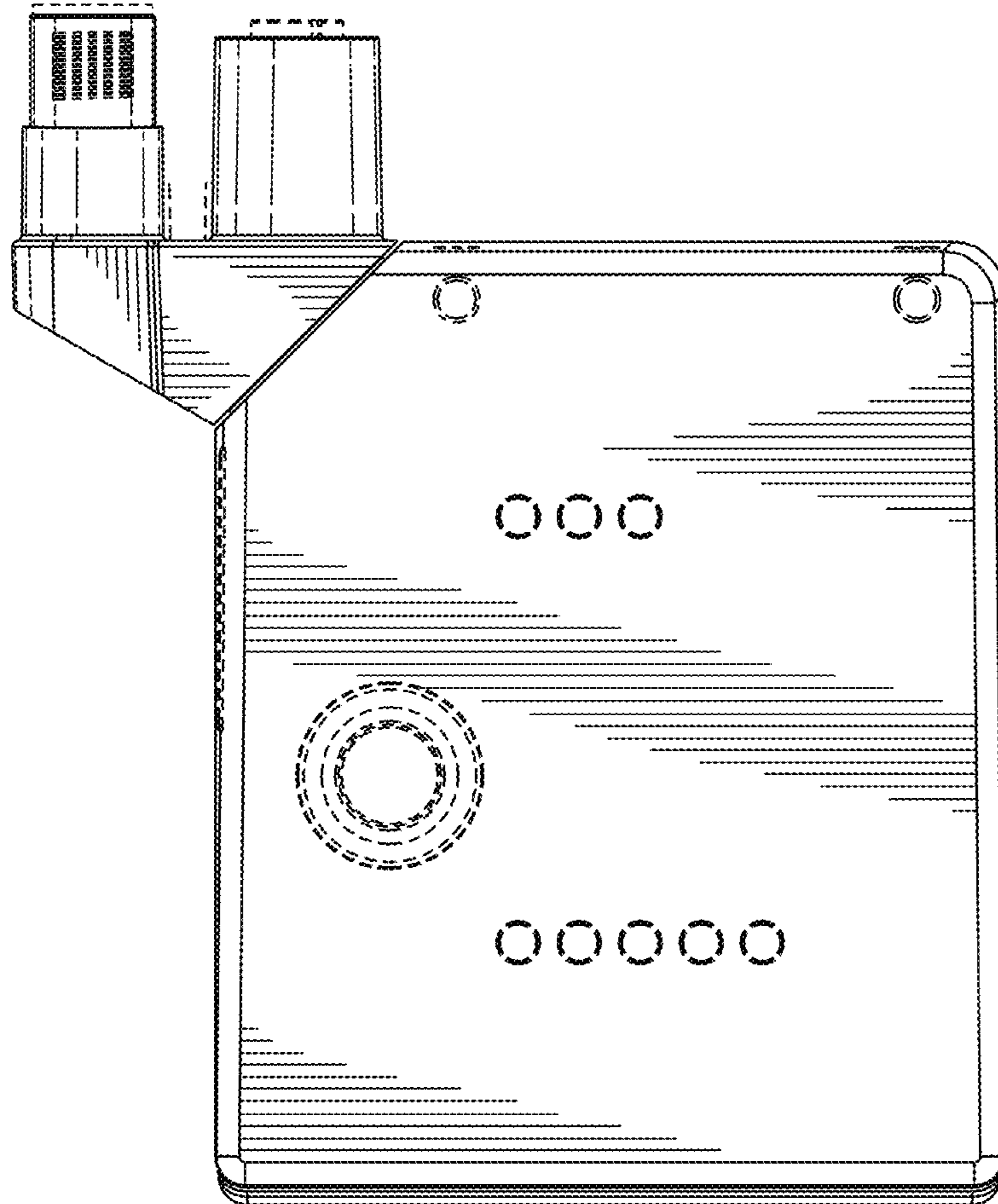


FIG. 3

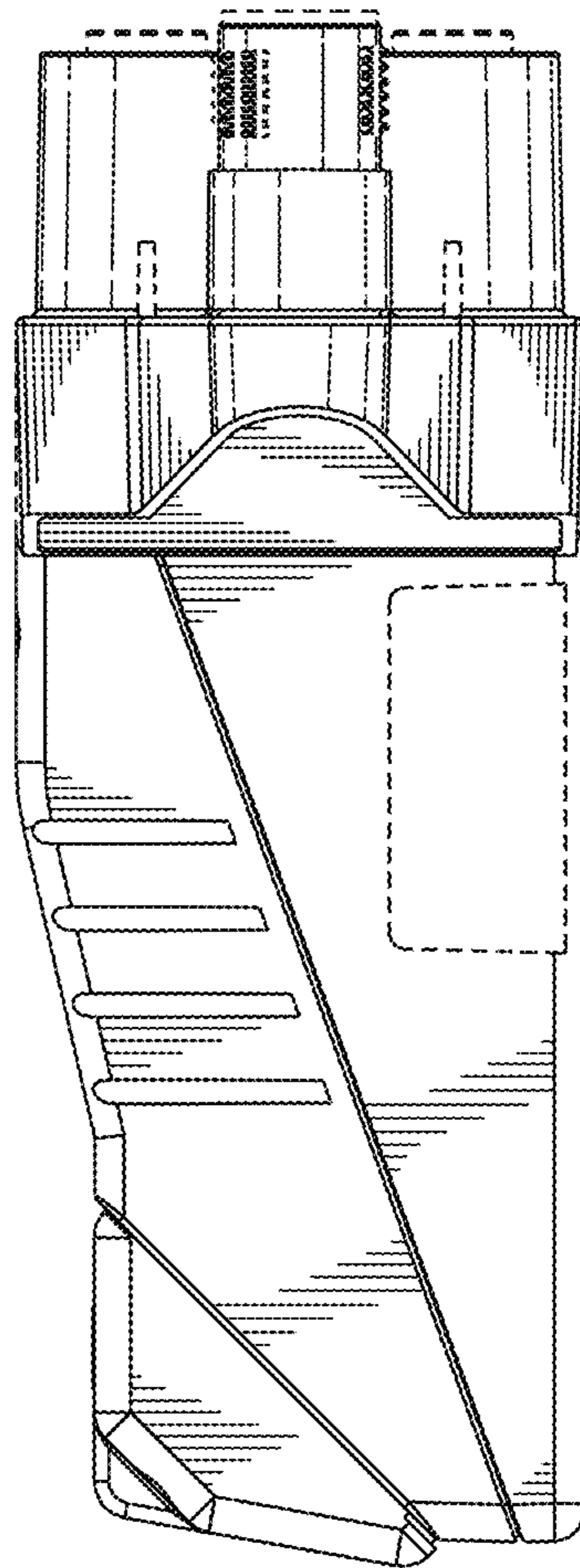


FIG. 4

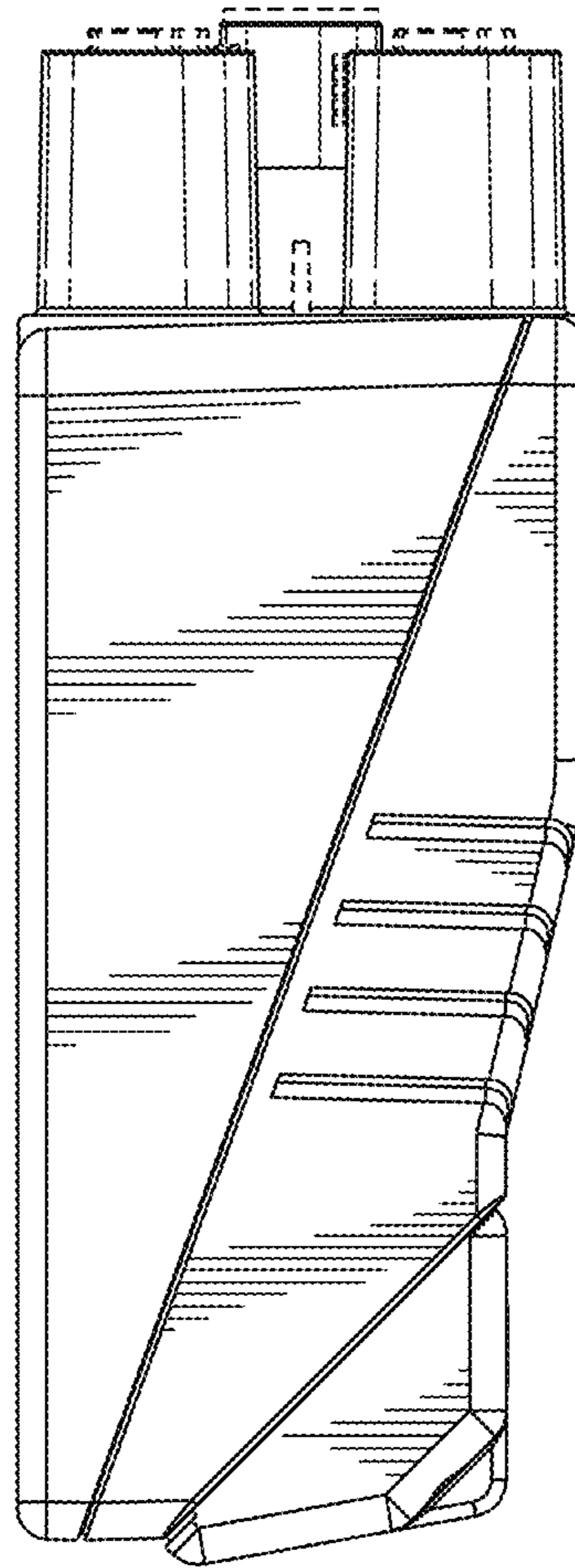


FIG. 5

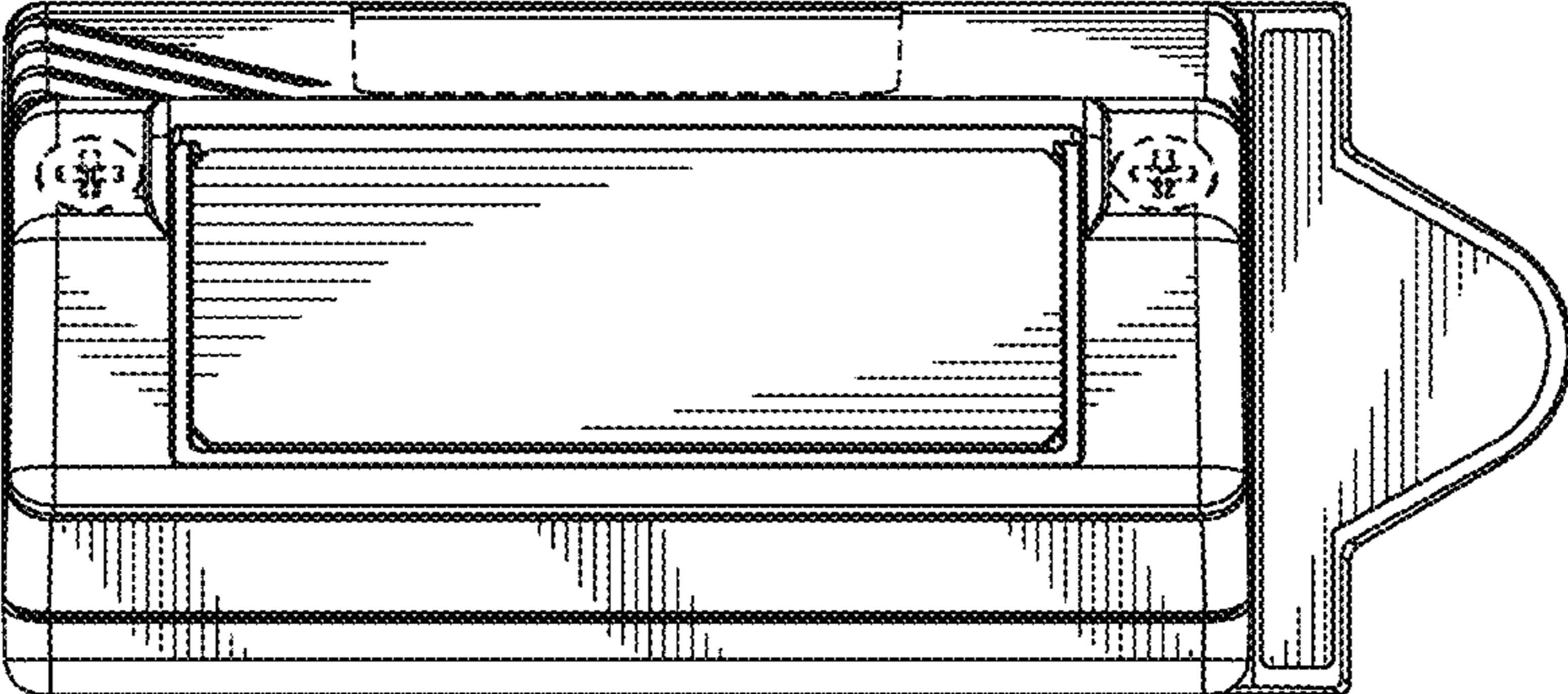


FIG. 6

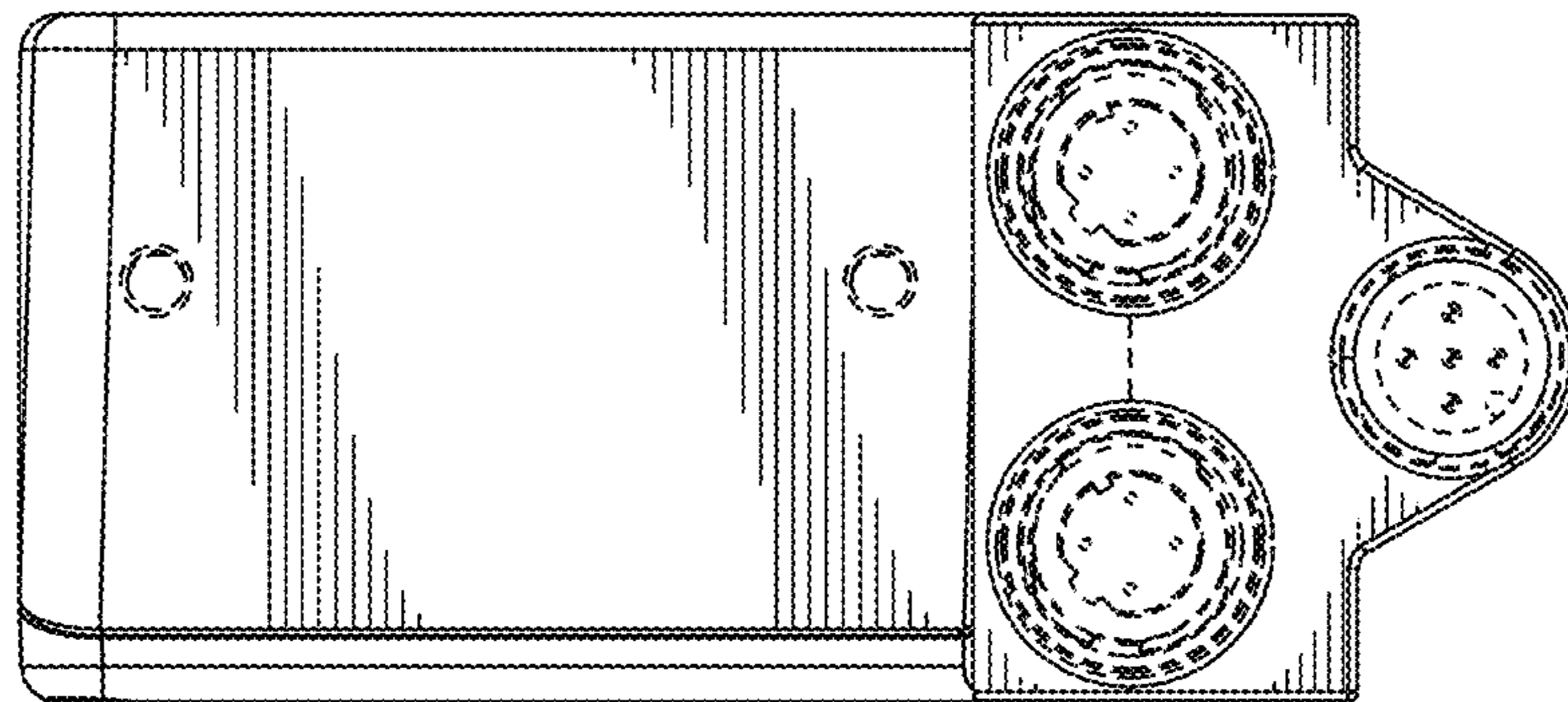


FIG. 7

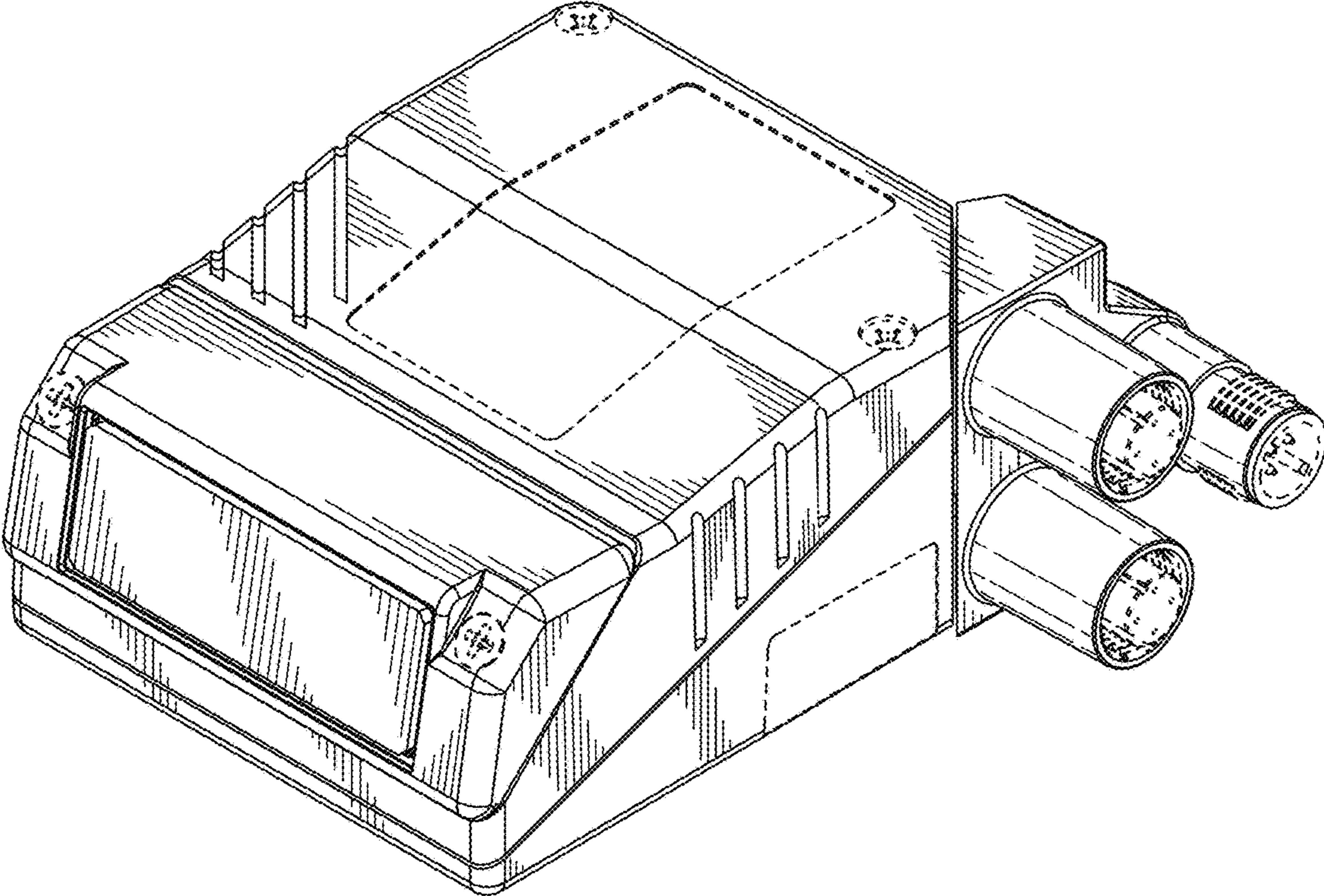


FIG. 8

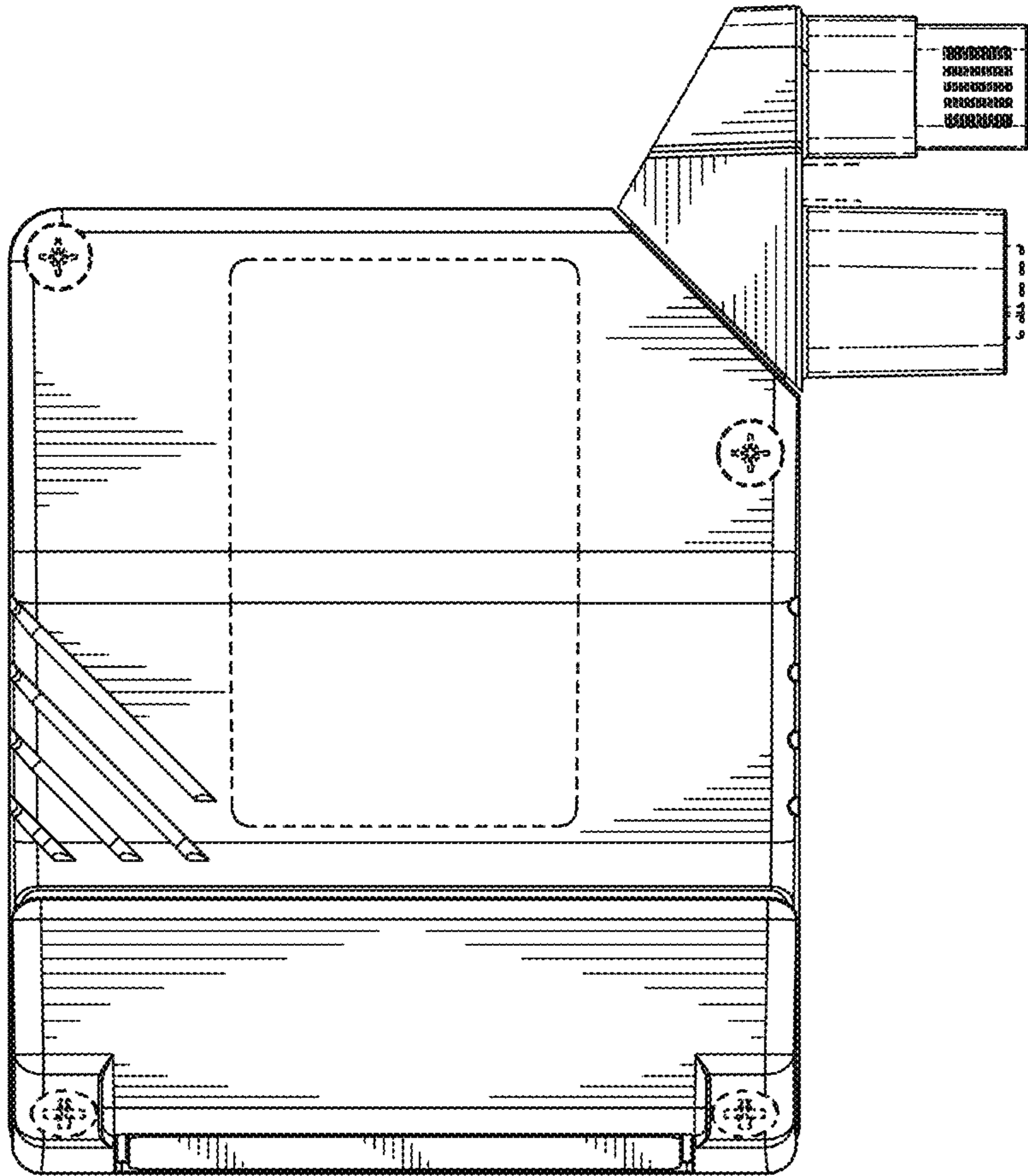


FIG. 9

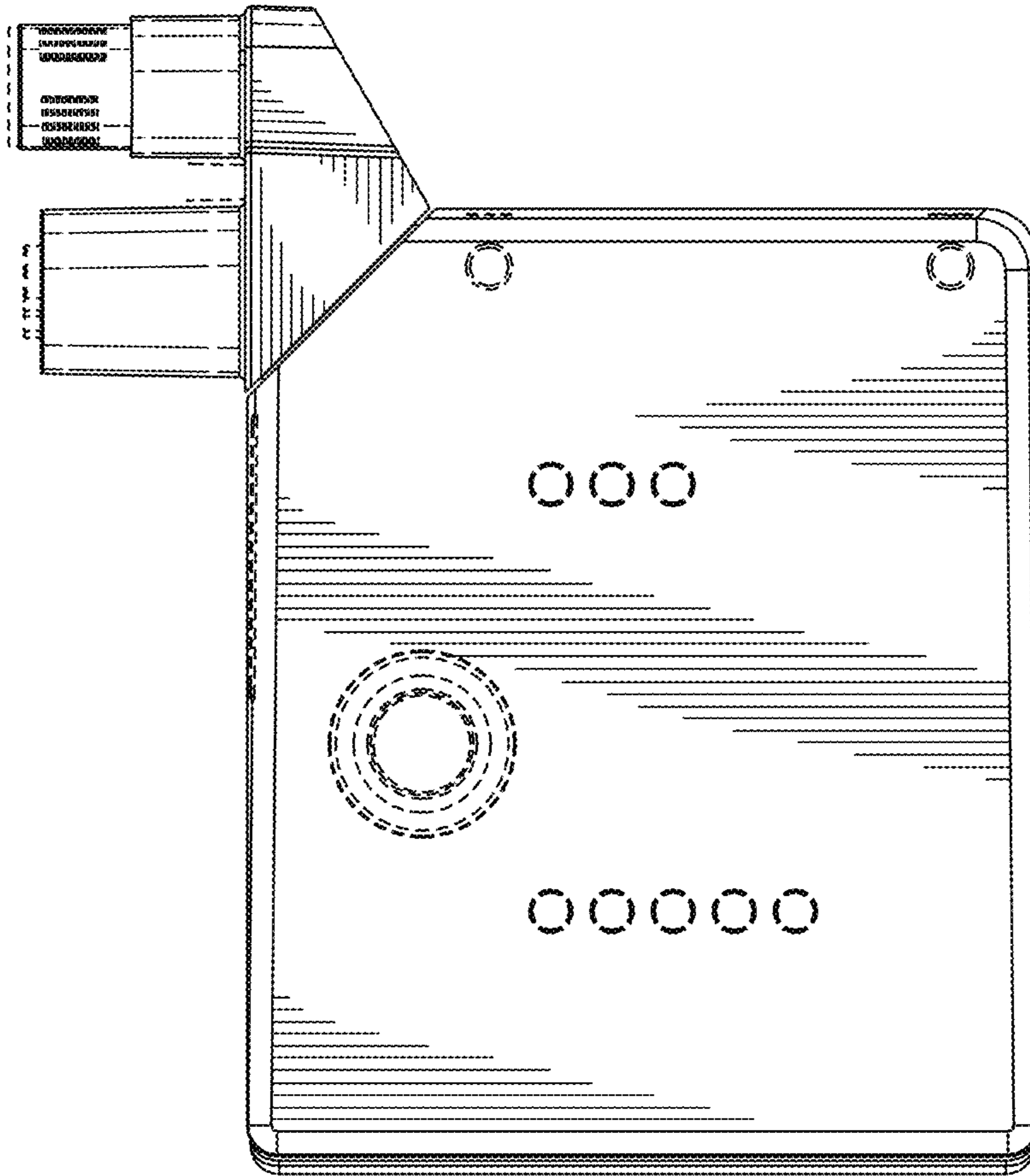


FIG. 10

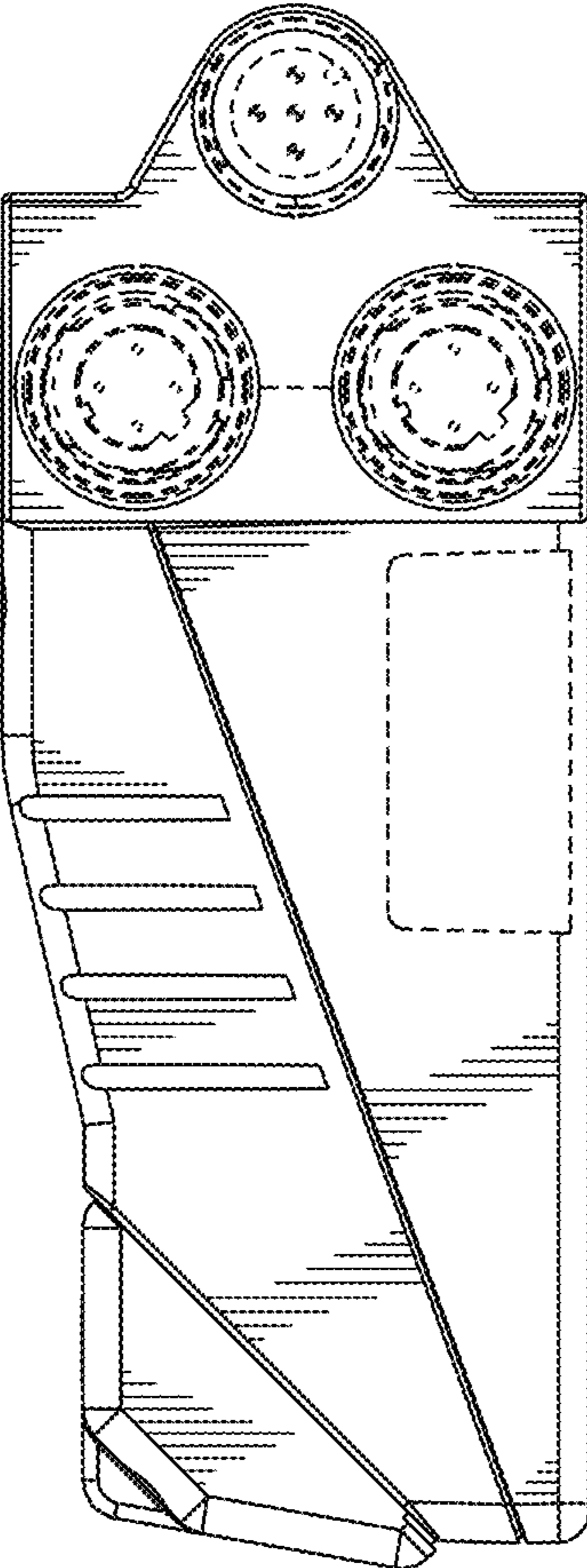


FIG. 11

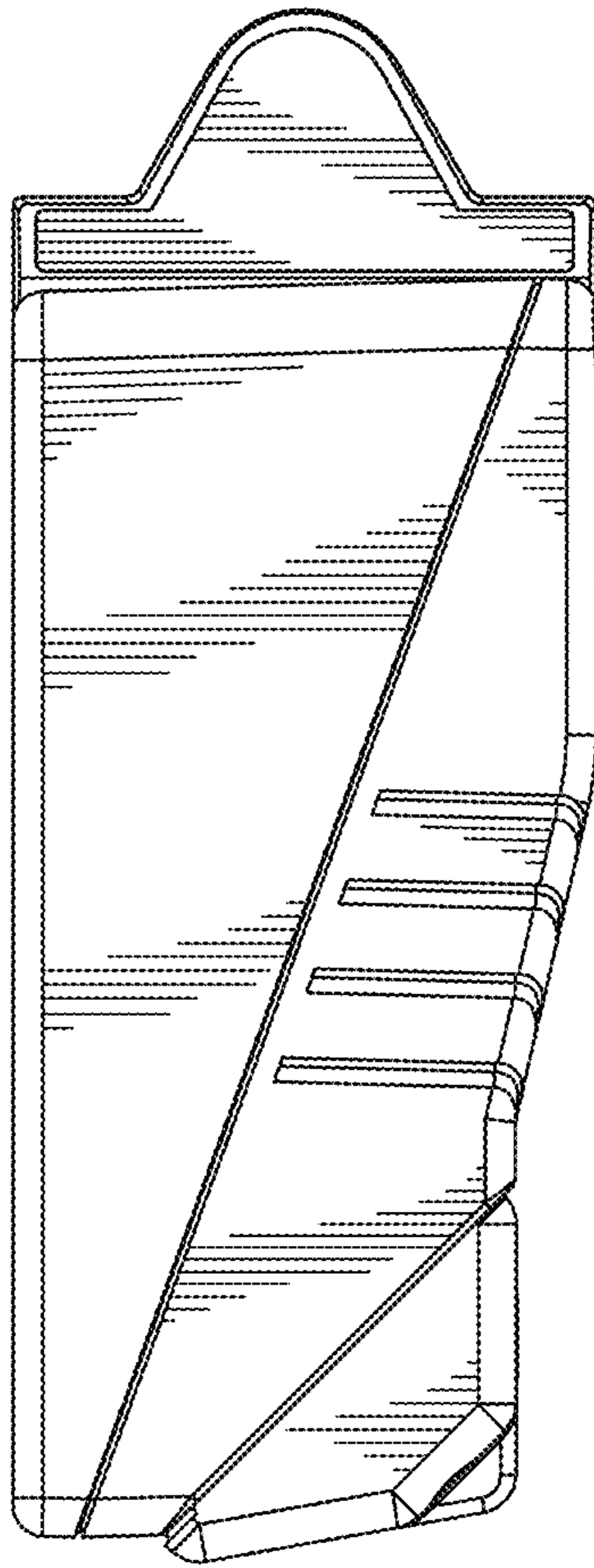


FIG. 12

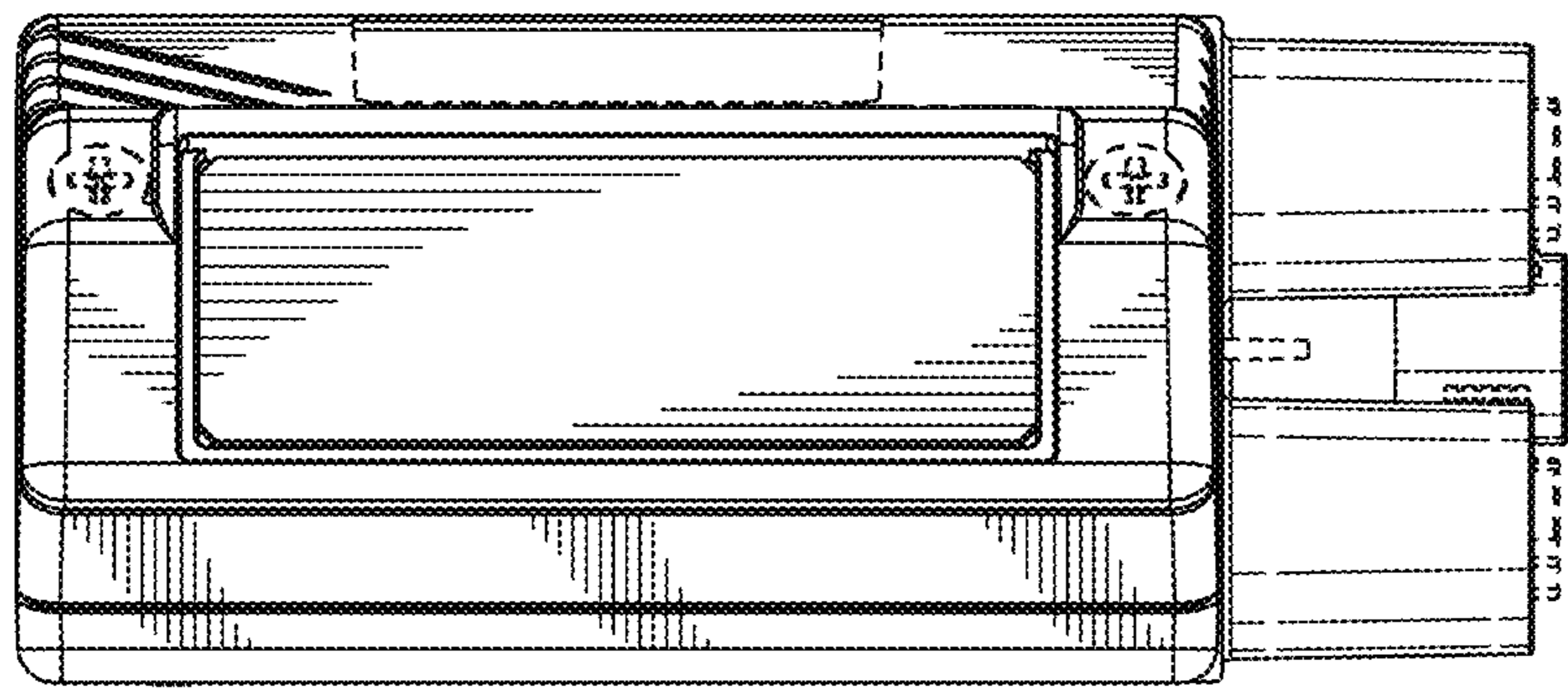


FIG. 13

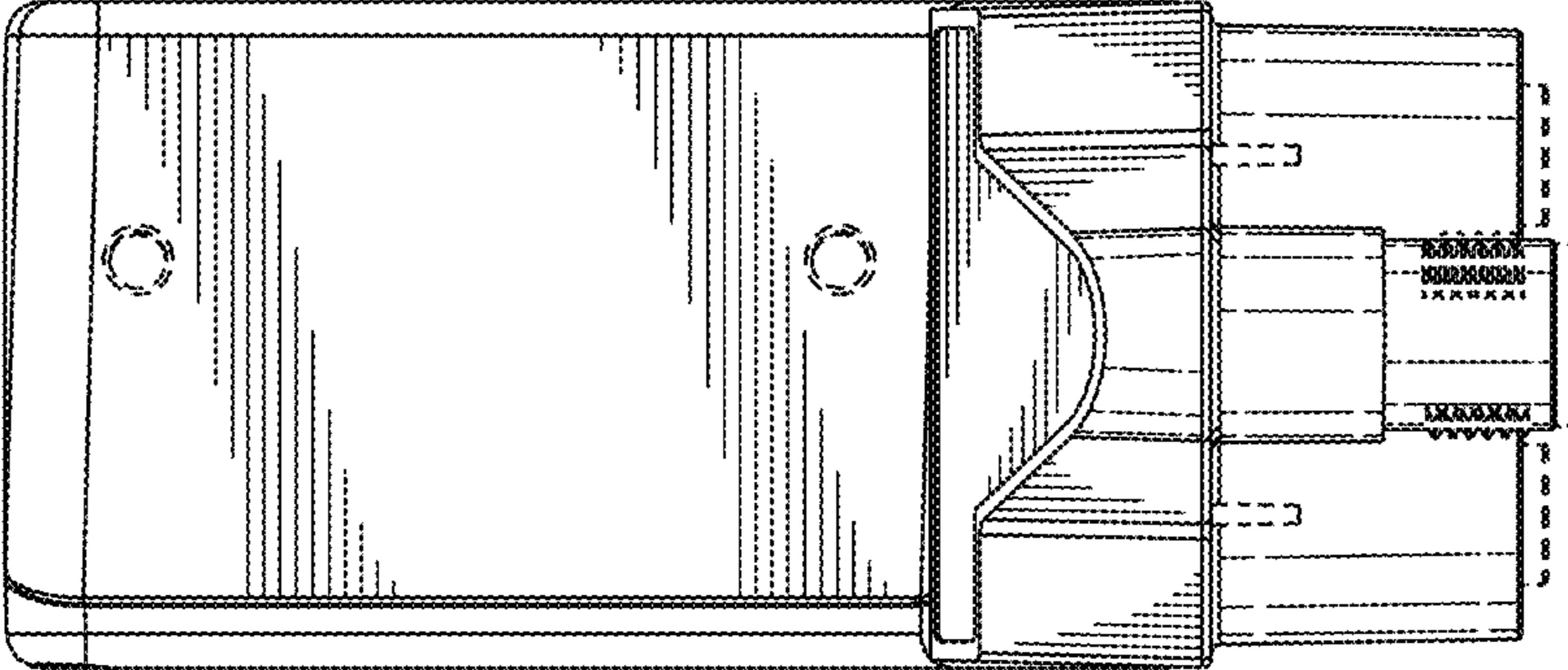


FIG. 14