



US00D800117S

(12) **United States Design Patent**
Yee et al.

(10) **Patent No.:** **US D800,117 S**
(45) **Date of Patent:** **** Oct. 17, 2017**

(54) **HEAD MOUNTED DISPLAY WITH FLEX CABLE**

D722,054 S 2/2015 Serota
D727,896 S 4/2015 Lалуque et al.
D732,028 S 6/2015 Kim et al.

(Continued)

(71) Applicant: **Oculus VR, LLC**, Menlo Park, CA (US)

FOREIGN PATENT DOCUMENTS

(72) Inventors: **Phillip Yee**, San Francisco, CA (US);
Julian James Hammerstein, Atherton, CA (US);
Quintin Morris, Issaquah, WA (US);
Joseph Patrick Sullivan, Issaquah, WA (US)

JP 1175394 A 3/1999

OTHER PUBLICATIONS

(73) Assignee: **Oculus VR, LLC**, Menlo Park, CA (US)

“Oculus Rift Virtual Reality Headset,” Uncrate, May 8, 2015, 2 pages.

(Continued)

(**) Term: **15 Years**

Primary Examiner — Austin Murphy

(74) *Attorney, Agent, or Firm* — Perkins Coie LLP

(21) Appl. No.: **29/579,890**

(57) **CLAIM**

The ornamental design for a head mounted display with flex cable, as shown and described.

(22) Filed: **Oct. 4, 2016**

DESCRIPTION

(51) **LOC (10) Cl.** **14-02**

(52) **U.S. Cl.**
USPC **D14/372**

(58) **Field of Classification Search**
USPC D14/372, 496, 432, 371, 125, 126, 129,
D14/299; D16/300–342; 351/158, 153,
351/144; 345/7–9, 905; 455/344;
348/115, 53, 121, 739
CPC G02B 27/017; G02B 27/0158; G02B
27/0161; G02B 27/0181; G02B 27/0185;
G02B 27/0189

See application file for complete search history.

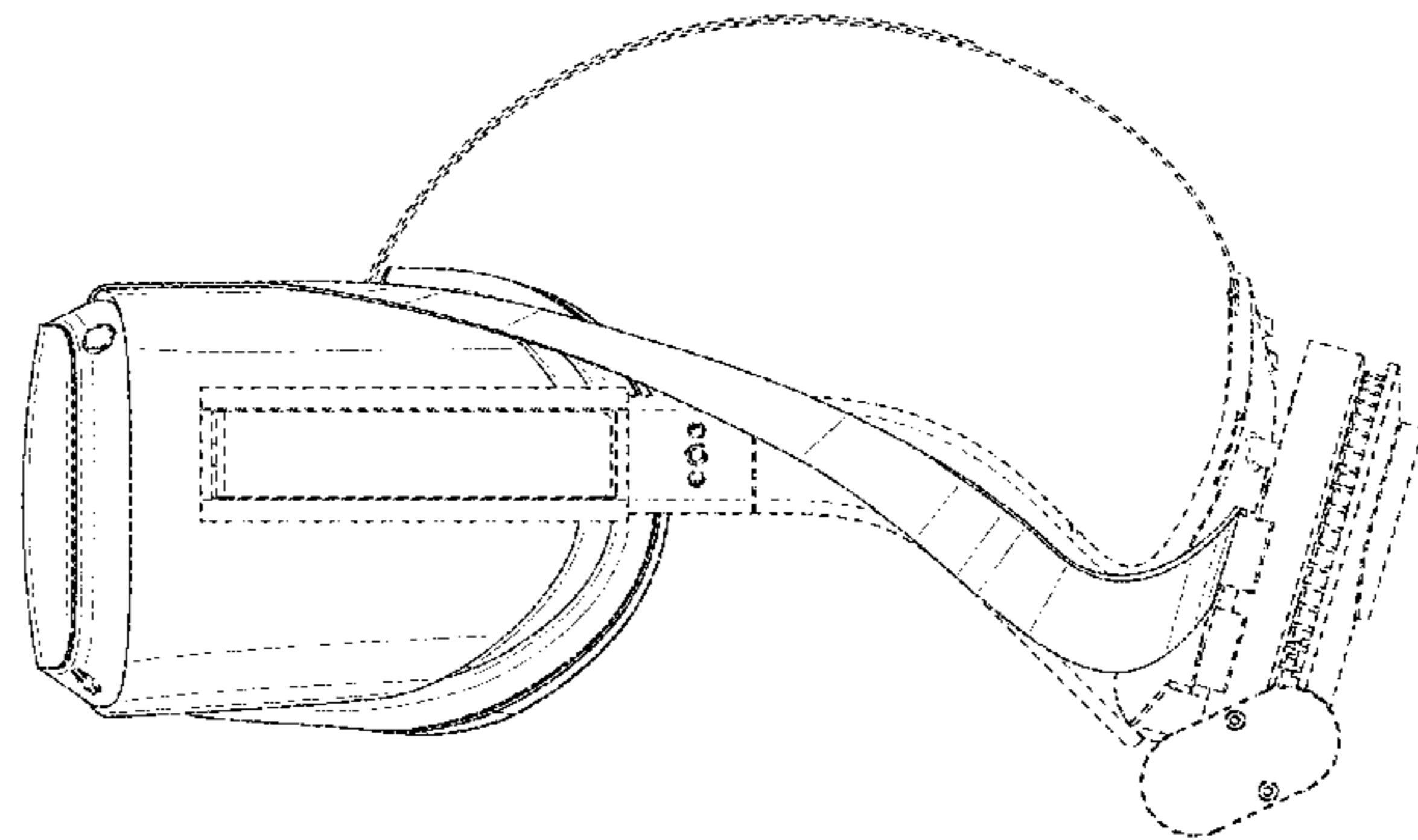
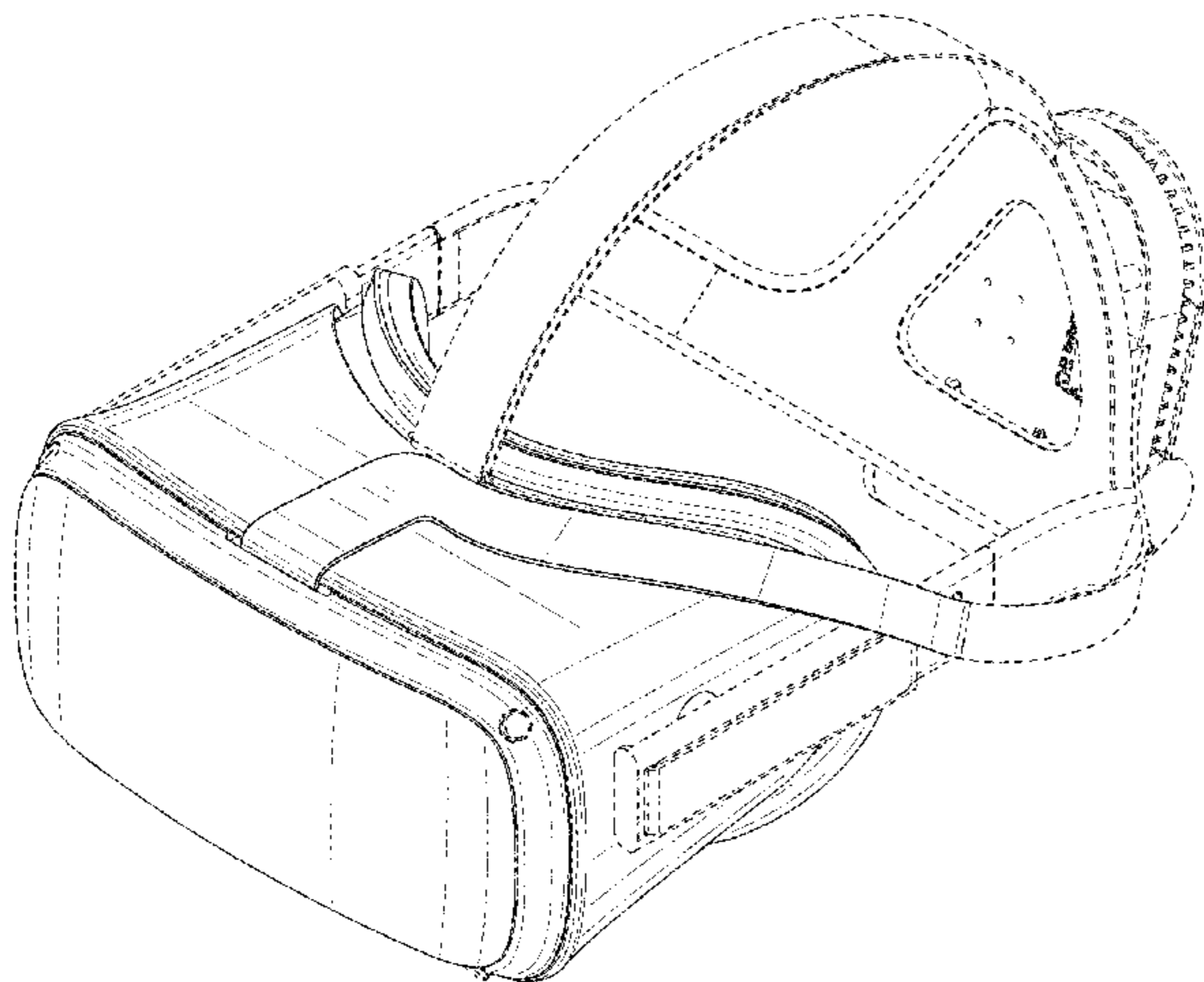
FIG. 1 is an isometric view of a first embodiment of a head mounted display with flex cable showing the new design. FIG. 2 is a left side elevation view thereof. FIG. 3 is a right side elevation view thereof. FIG. 4 is a front elevation view thereof. FIG. 5 is a rear elevation view thereof. FIG. 6 is a top plan view thereof. FIG. 7 is a bottom plan view thereof. FIG. 8 is an isometric view of a second embodiment of a head mounted display with flex cable showing the new design. FIG. 9 is a left side elevation view thereof. FIG. 10 is a right side elevation view thereof. FIG. 11 is a front elevation view thereof. FIG. 12 is a rear elevation view thereof. FIG. 13 is a top plan view thereof; and, FIG. 14 is a bottom plan view thereof. Any broken lines in the Figures are for illustrative purposes only and form no part of the claimed design.

(56) **References Cited**

U.S. PATENT DOCUMENTS

5,003,300 A 3/1991 Wells
D427,982 S 7/2000 Ishii
D499,397 S 12/2004 Hlas et al.
D669,471 S * 10/2012 Hwang D14/372
D719,953 S 12/2014 Nokuo et al.

1 Claim, 14 Drawing Sheets



(56)

References Cited

U.S. PATENT DOCUMENTS

D735,691 S 8/2015 Sparks et al.
 D738,374 S 9/2015 Luckey et al.
 D739,855 S 9/2015 Bosveld et al.
 D740,810 S 10/2015 Bosveld et al.
 D740,811 S 10/2015 Bosveld et al.
 D741,324 S * 10/2015 Bosveld D14/372
 D741,327 S 10/2015 Reznik et al.
 D741,860 S 10/2015 Bosveld et al.
 D748,628 S * 2/2016 Bosveld D14/372
 D749,580 S 2/2016 Kim et al.
 D749,583 S 2/2016 Luckey et al.
 D751,072 S 3/2016 Lyons
 D753,111 S 4/2016 Fei et al.
 D753,112 S 4/2016 Fei
 D759,015 S * 6/2016 Mehin D14/372
 D759,654 S 6/2016 Sullivan et al.
 D759,655 S 6/2016 Sullivan et al.
 D760,225 S 6/2016 Passmore et al.
 D761,257 S 7/2016 Passmore et al.
 D764,437 S 8/2016 Yang et al.
 D764,466 S 8/2016 Kim et al.
 D764,467 S 8/2016 Nokuo
 D765,056 S 8/2016 Yang et al.
 D765,074 S * 8/2016 Katopis D14/372
 D771,625 S 11/2016 Pickett et al.
 D771,627 S 11/2016 Ko et al.
 D773,461 S * 12/2016 Jiang D14/372
 D776,111 S 1/2017 Baldassi et al.
 D778,909 S 2/2017 Nokuo
 D780,751 S * 3/2017 Park D14/372
 D781,288 S * 3/2017 Park D14/372
 D781,289 S 3/2017 Patel
 D783,019 S * 4/2017 Letbetter D14/372
 D785,619 S * 5/2017 Su D14/372
 9,638,921 B2 5/2017 Miller et al.
 D791,125 S 7/2017 Sullivan et al.
 D791,126 S 7/2017 Sullivan et al.
 D791,127 S 7/2017 Sullivan et al.
 D791,128 S 7/2017 Sullivan et al.
 D791,129 S 7/2017 Sullivan et al.
 D792,399 S 7/2017 Thomas
 D792,401 S * 7/2017 Tang D14/372
 9,716,932 B2 7/2017 Miller et al.
 2012/0033142 A1 2/2012 Thomson
 2016/0054571 A1 2/2016 Tazbaz et al.

OTHER PUBLICATIONS

Bishop, R., "Tested Demos the Oculus Rift 'Crescent Bay' Virtual Reality Headset Prototype at Oculus Connect," Laughing Squid, Sep. 26, 2014, 2 pages.
 Blain, L., "'Ancient' Oculus Rift concepts leak new controller and front-facing camera," gamesradar, Jun. 9, 2015, 13 pages.
 Design of Head Mounted Display, Goods Press, No. 5, May 10, 2015, JPO Publicly Known Design No. HA27001471, 3 pages.
 Design of headphone, Sound & Vision, No. 3, Apr. 2014, p. 28, JPO Publicly Known Design No. HB26000843.
 Final Examination Report in Israel Patent Application No. 57744, dated Aug. 3, 2016.
 First Examination Report in India Patent Application No. 278179, dated Apr. 9, 2016, 2 pages.
 First Examination Report in India Patent Application No. 278276, dated May 4, 2016, 2 pages.
 First Examination Report in India Patent Application No. 278277, dated Mar. 28, 2016, 2 pages.
 First Examiner's Report in Australian Patent Application No. 366106, dated Feb. 26, 2016, 2 pages.
 First Examiner's Report in Australian Patent Application No. 366107, dated Feb. 26, 2016, 2 pages.
 First Examiner's Report in Australian Patent Application No. 366109, dated Feb. 26, 2016, 2 pages.

First Examiner's Report in Australian Patent Application No. 366110, dated Feb. 26, 2016, 2 pages.
 First Examiner's Report in Australian Patent Application No. 366111, dated Feb. 26, 2016, 2 pages.
 First Examiner's Report in Australian Patent Application No. 366112, dated Feb. 26, 2016, 2 pages.
 First Examiner's Report in Canadian Patent Application No. 163156, dated Nov. 24, 2015, 5 pages.
 First Examiner's Report in Canadian Patent Application No. 167487, dated Sep. 13, 2016, 4 pages.
 First Examiner's Report in Canadian Patent Application No. 167488, dated Apr. 7, 2016, 5 pages.
 First Examiner's Report in Canadian Patent Application No. 167489, dated Apr. 7, 2016, 3 pages.
 First Examiner's Report in Canadian Patent Application No. 167490, dated Apr. 7, 2016, 3 pages.
 First Examiner's Report in Canadian Patent Application No. 167491, dated Apr. 7, 2016, 3 pages.
 First Examiner's Report in Israel Patent Application No. 57744, dated Feb. 4, 2016, 3 pages.
 Further Examiner's Report in Canadian Patent Application No. 163156, dated Aug. 18, 2016, 4 pages.
 Further Examiner's Report in Canadian Patent Application No. 167488, dated Aug. 15, 2016, 4 pages.
 Further Examiner's Report in Canadian Patent Application No. 167489, dated Aug. 18, 2016, 3 pages.
 Further Examiner's Report in Canadian Patent Application No. 167490, dated Aug. 18, 2016, 3 pages.
 Further Examiner's Report in Canadian Patent Application No. 167491, dated Aug. 18, 2016, 3 pages.
 Japanese Office Action in Patent Application No. 2015-027694, dated Jul. 1, 2016, 4 pages, English Translation.
 Lang, B., "Oculus Rift Input Controller Revealed in Leaked 'Placeholder Concept,'" Jun. 9, 2015, 2 pages.
 Moynihan, T., "The Oculus Rift is Coming in Early 2016," Wired, May 6, 2015, 2 pages.
 Notice of Allowance dated Oct. 5, 2016, for U.S. Appl. No. 29/529,900, of Sullivan, J. filed Jun. 11, 2015.
 Orland, K., "Leaked images could point to Oculus controller, final Rift design," arstechnica, Jun. 9, 2015, 3 pages.
 Pro Audio Japan, "Product Information: MPC Headphones: AKAI Professional," Mar. 4, 2014, retrieved online at <<http://akai-pro.jp/mpc-headphones/>>, JPO Publicly Known Design No. HJ25065259, 3 pages.
 Restriction Requirement dated Aug. 8, 2016, for U.S. Patent Application No. 29/529,900, of Sullivan, J. filed Jun. 11, 2015.
 Second Examiner's Report in Australian Patent Application No. 366106, dated Jul. 19, 2016, 2 pages.
 Seppala, T., "Oculus Rift goes mainstream early 2016," Engadget, May 6, 2015, 9 pages.
 U.S. Appl. No. 29/529,900 by Sullivan, J. et al., filed Jun. 11, 2015.
 U.S. Appl. No. 29/575,968 by Sullivan, J. et al., filed Aug. 30, 2016.
 U.S. Appl. No. 29/575,971 by Sullivan, J. et al., filed Aug. 30, 2016.
 U.S. Appl. No. 29/575,975 by Sullivan, J. et al., filed Aug. 30, 2016.
 U.S. Appl. No. 29/575,981 by Sullivan, J. et al., filed Aug. 30, 2016.
 U.S. Appl. No. 29/575,982 by Sullivan, J., et al., filed Aug. 30, 2016.
 U.S. Appl. No. 29/579,866 by Yee, P., et al., filed Oct. 4, 2016.
 U.S. Appl. No. 29/579,868 by Yee, P., et al., filed Oct. 4, 2016.
 U.S. Appl. No. 29/579,870 by Yee, P., et al., filed Oct. 4, 2016.
 U.S. Appl. No. 29/579,873 by Yee, P., et al., filed Oct. 4, 2016.
 U.S. Appl. No. 29/579,875 by Hammerstein, J., et al., filed Oct. 4, 2016.
 U.S. Appl. No. 29/579,881 by Yee, P., et al., filed Oct. 4, 2016.
 U.S. Appl. No. 29/579,896 by Yee, P., et al., filed Oct. 4, 2016.
 First Examination Report in Israel Patent Application No. 59453, dated Apr. 19, 2017, 2 pages.
 Office Action in Mexican Patent Application No. MX/f/2015/003770, dated Apr. 18, 2017, 2 pages.
 First Examiner's Report in Canadian Patent Application No. 171,281, dated Jan. 27, 2017, 2 pages.
 Notice of Allowance dated May 1, 2017, for U.S. Appl. No. 29/575,968, of Sullivan, J. filed Aug. 30, 2016.

(56)

References Cited

OTHER PUBLICATIONS

Notice of Allowance dated May 1, 2017, for U.S. Appl. No. 29/575,971, of Sullivan, J. filed Aug. 30, 2016.
Notice of Allowance dated May 3, 2017, for U.S. Appl. No. 29/575,975, of Sullivan, J. filed Aug. 30, 2016.
Notice of Allowance dated May 3, 2017, for U.S. Appl. No. 29/575,981, of Sullivan, J. filed Aug. 30, 2016.
Notice of Allowance dated May 8, 2017, for U.S. Appl. No. 29/575,982, of Sullivan, J. filed Aug. 30, 2016.
Chinese Design Gazette, No. 15-48, (Dec. 2, 2015), CN3034793685 (JPO Publicly Known Design No. HH27008199).
EU Design Gazette, (Oct. 27, 2015), 002820712-0001 (JPO Publicly Known Design No. HH27205425).
First Examination Report in India Patent Application No. 278269, dated May 4, 2016, 2 pages.
First Examination Report in India Patent Application No. 278270, dated May 4, 2016, 2 pages.
First Examination Report in India Patent Application No. 278271, dated Apr. 21, 2016, 2 pages.
Form Zeitschrift fur Gestaltung, No. 2, vol. 258, p. 51 (JPO Publicly Known Design No. HB27000746).
Notice of Allowance in Japanese Patent Application No. 2015-027694, dated Dec. 16, 2016, 4 pages, English Translation.

Notice of Preliminary Rejection in Korean Patent Application No. 30-2015-0063428, dated May 13, 2016, 3 pages.
Examination Report in India Patent Application No. 289400, dated Jan. 2, 2017, 2 pages.
First Examination Report in India Patent Application No. 289399, dated Jan. 20, 2017, 2 pages.
First Examination Report in India Patent Application No. 289401, dated Jan. 17, 2017, 2 pages.
Office Action in Brazilian Design Patent Application No. BR302015005608-8, dated May 30, 2017, 2 pages.
Notice of Allowance dated Aug. 14, 2017, for U.S. Appl. No. 29/606,524, of Sullivan J. filed Jun. 5, 2017.
Restriction Requirement dated Aug. 14, 2017, for U.S. Appl. No. 29/579,866, of Yee, P. filed Oct. 4, 2016.
Restriction Requirement dated Aug. 14, 2017, for U.S. Appl. No. 29/579,868, of Yee, P. filed Oct. 4, 2016.
Notice of Allowance dated Aug. 8, 2017, for U.S. Appl. No. 29/579,881, of Yee, P. filed Oct. 4, 2016.
Restriction Requirement dated Aug. 14, 2017, for U.S. Appl. No. 29/579,870, of Yee, P. filed Oct. 4, 2016.
Notice of Allowance dated Aug. 15, 2017, for U.S. Appl. No. 29/579,896, of Yee, P. filed Oct. 4, 2016.

* cited by examiner

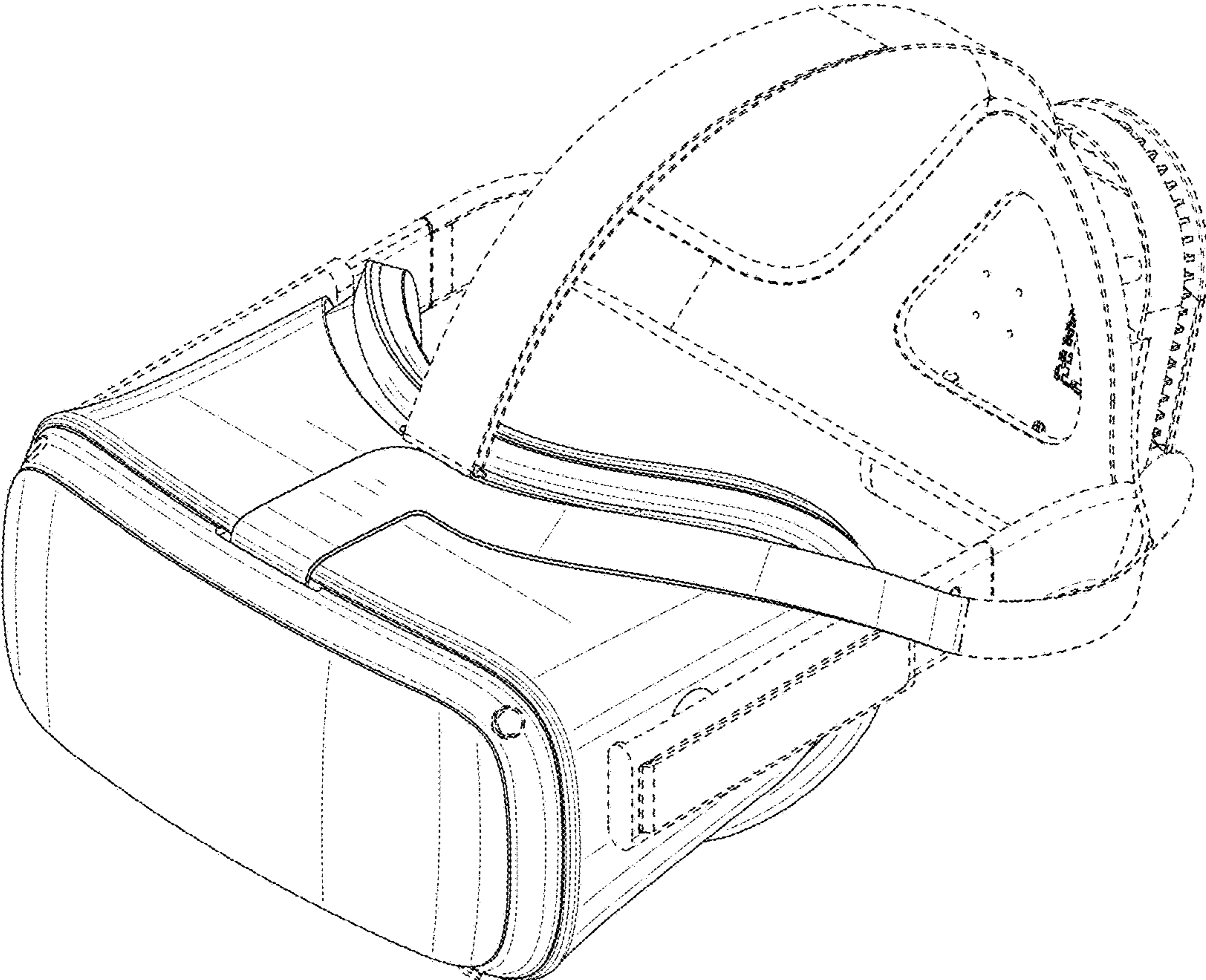


Fig. 1

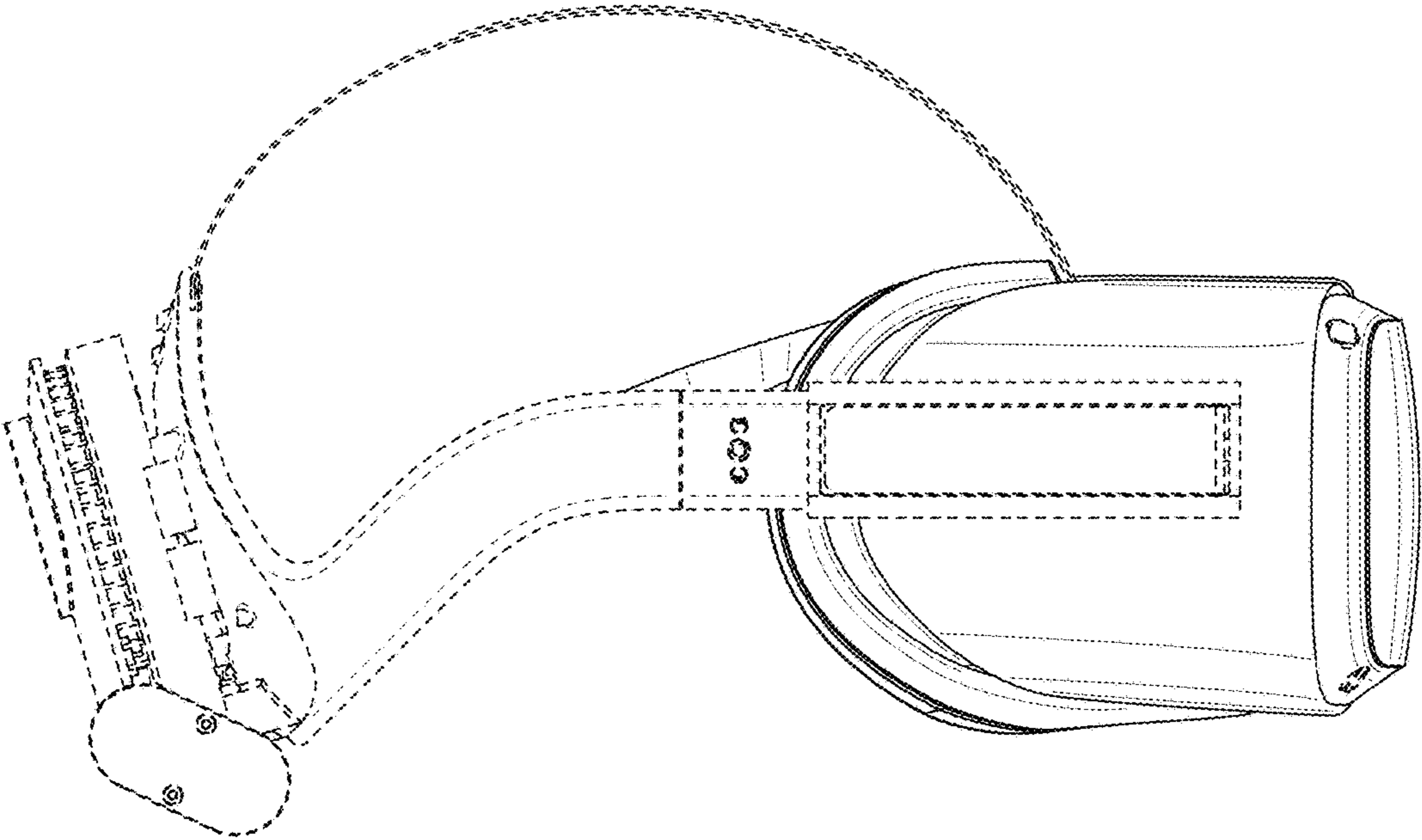


Fig. 2

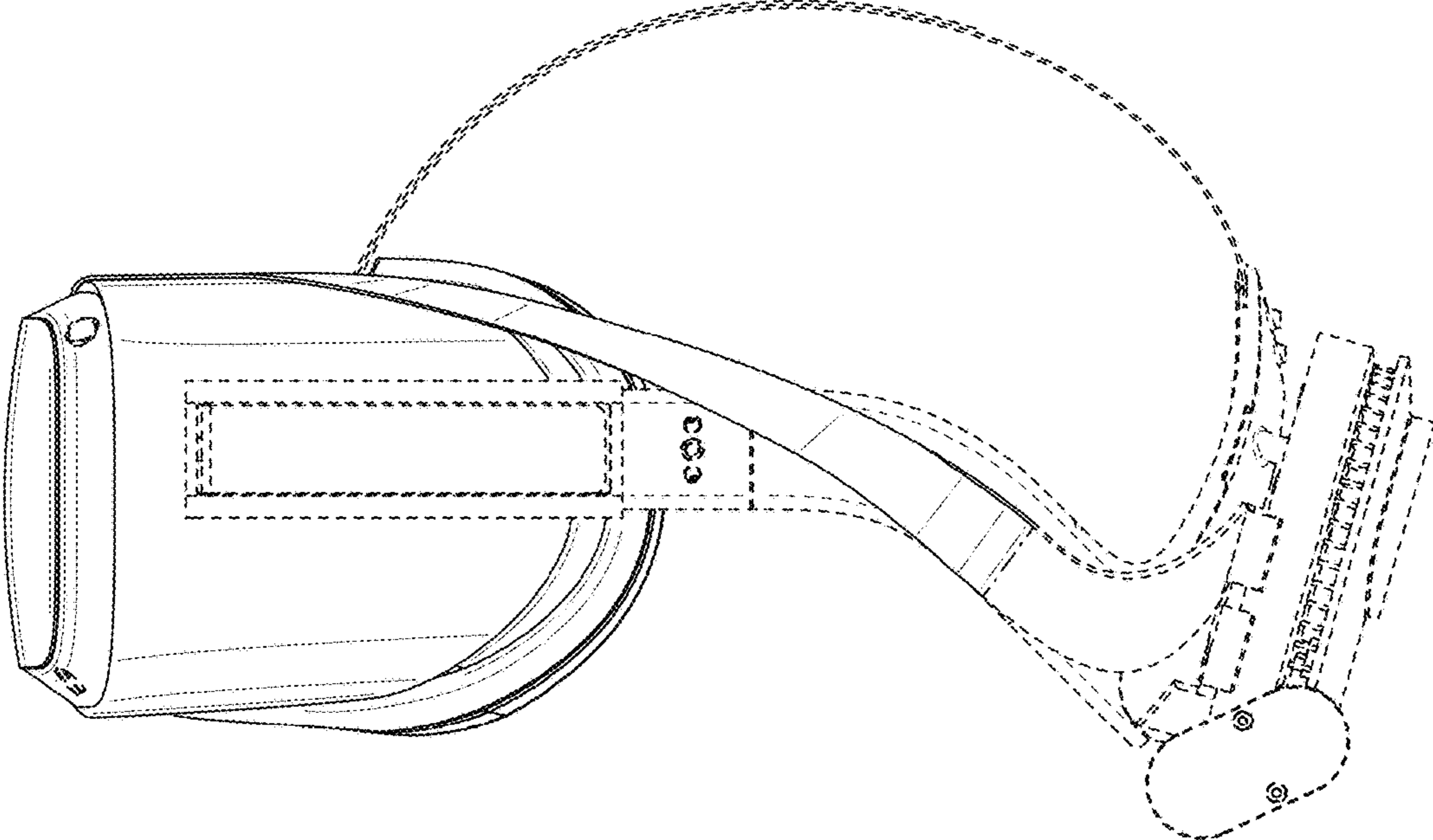


Fig. 3

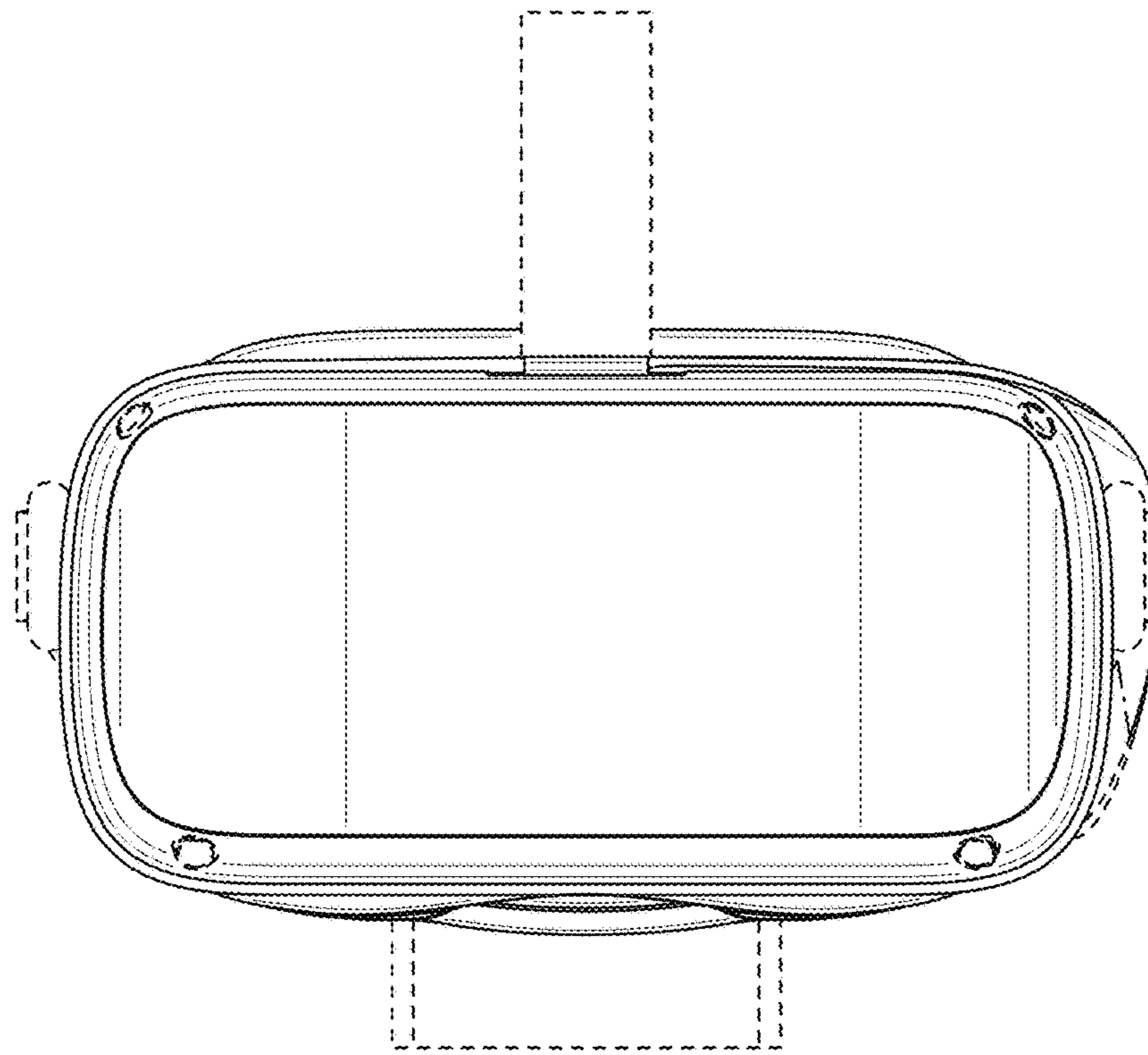


Fig. 4

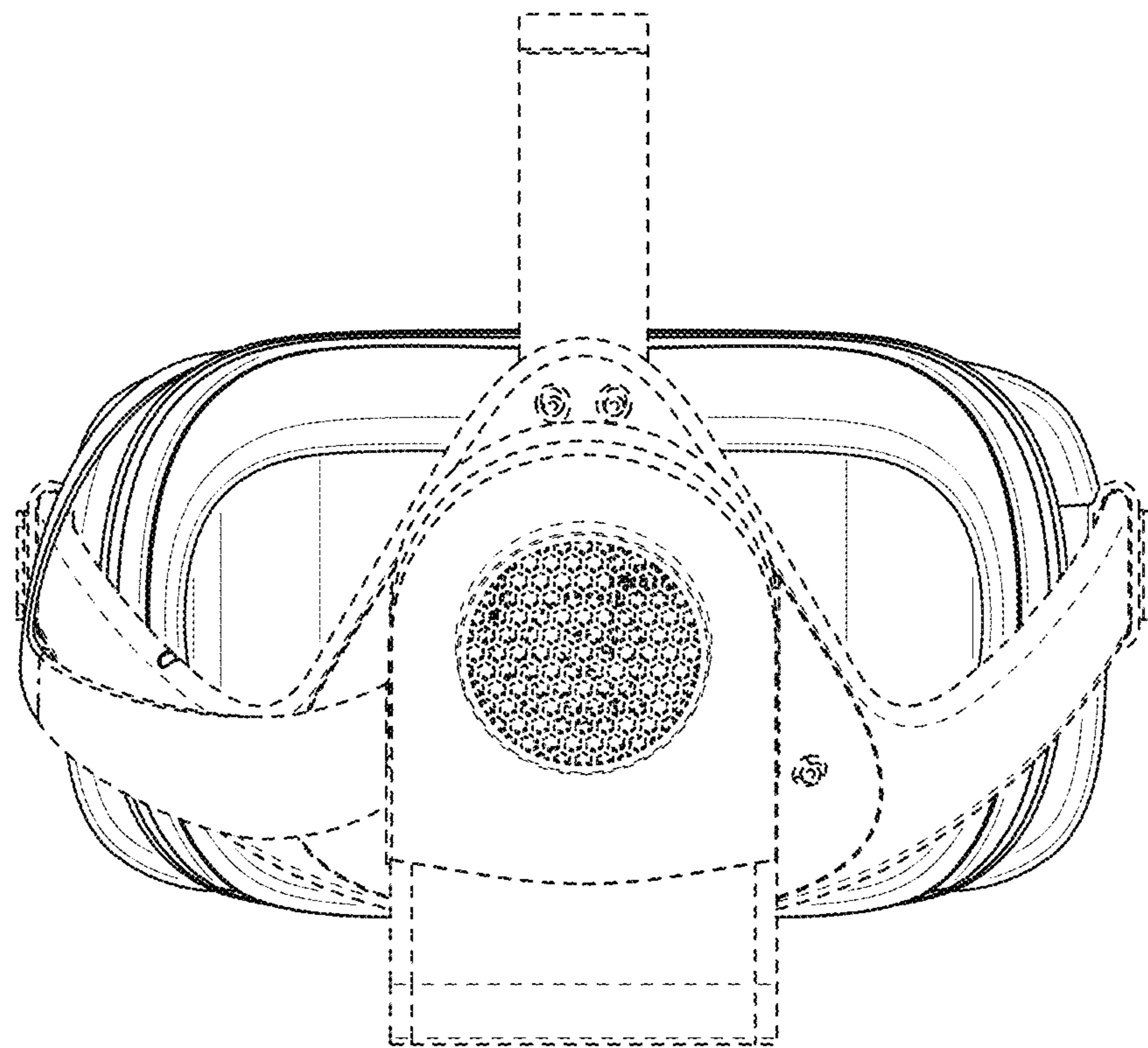


Fig. 5

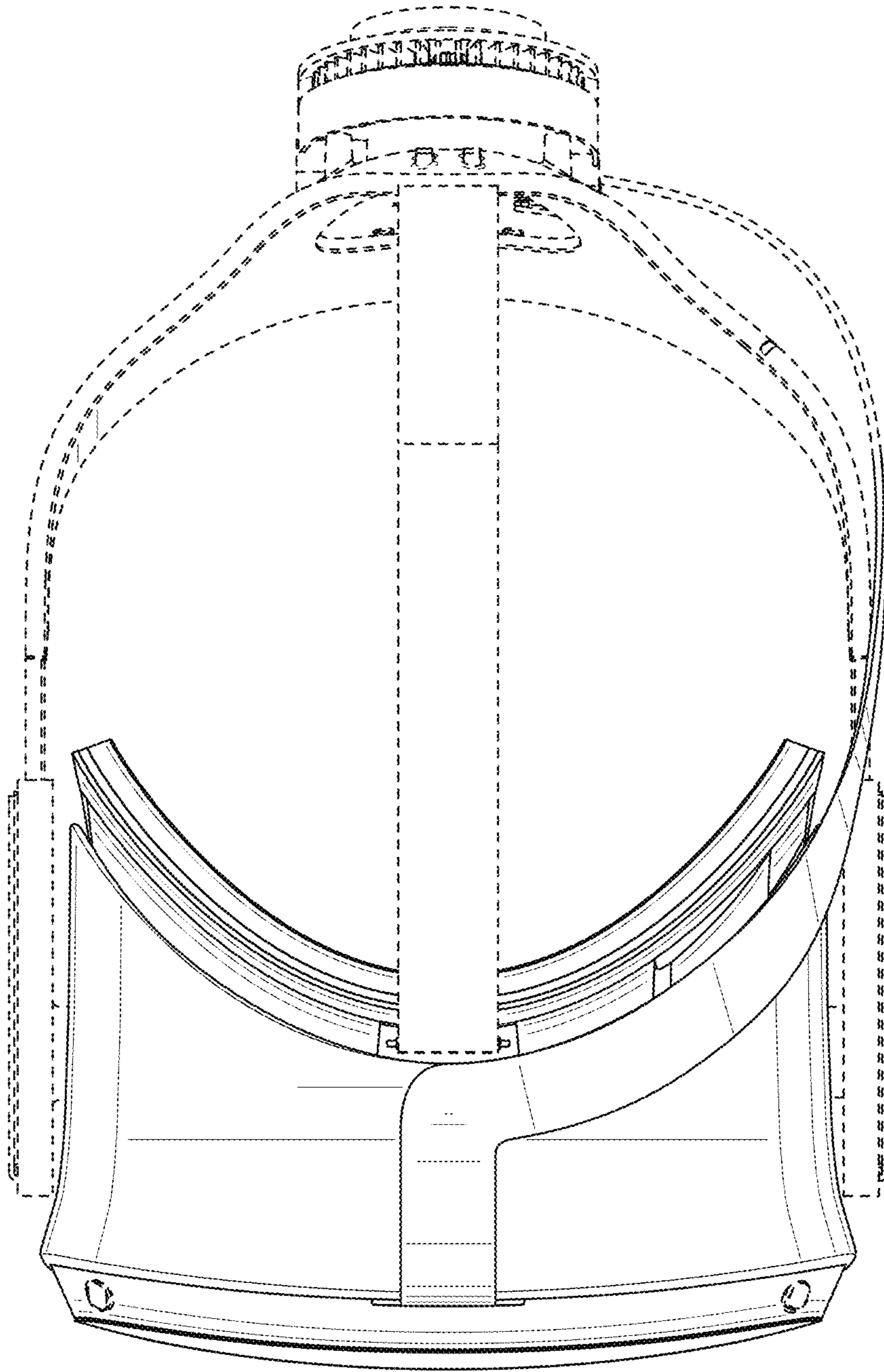


Fig. 6

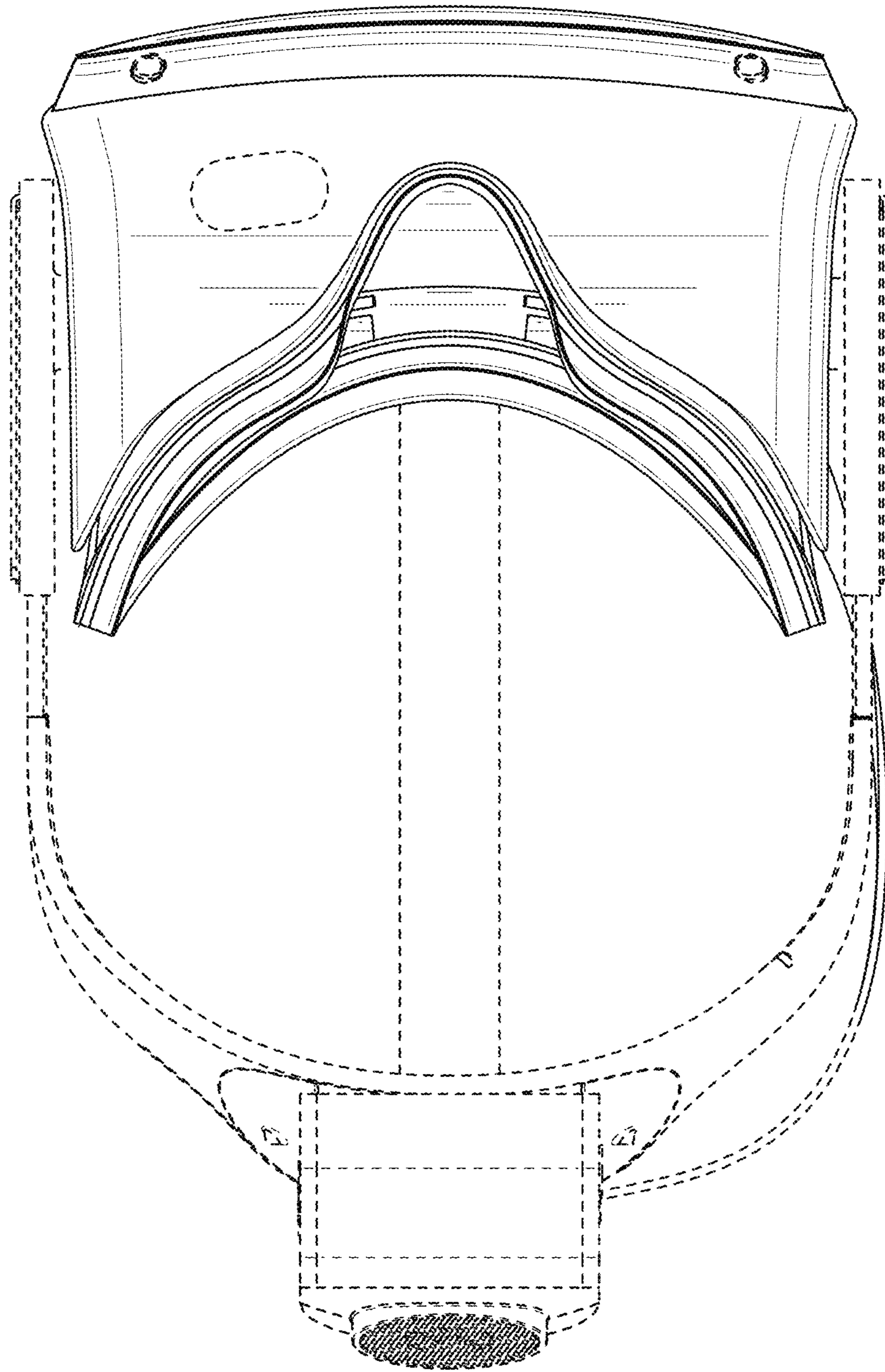


Fig. 7

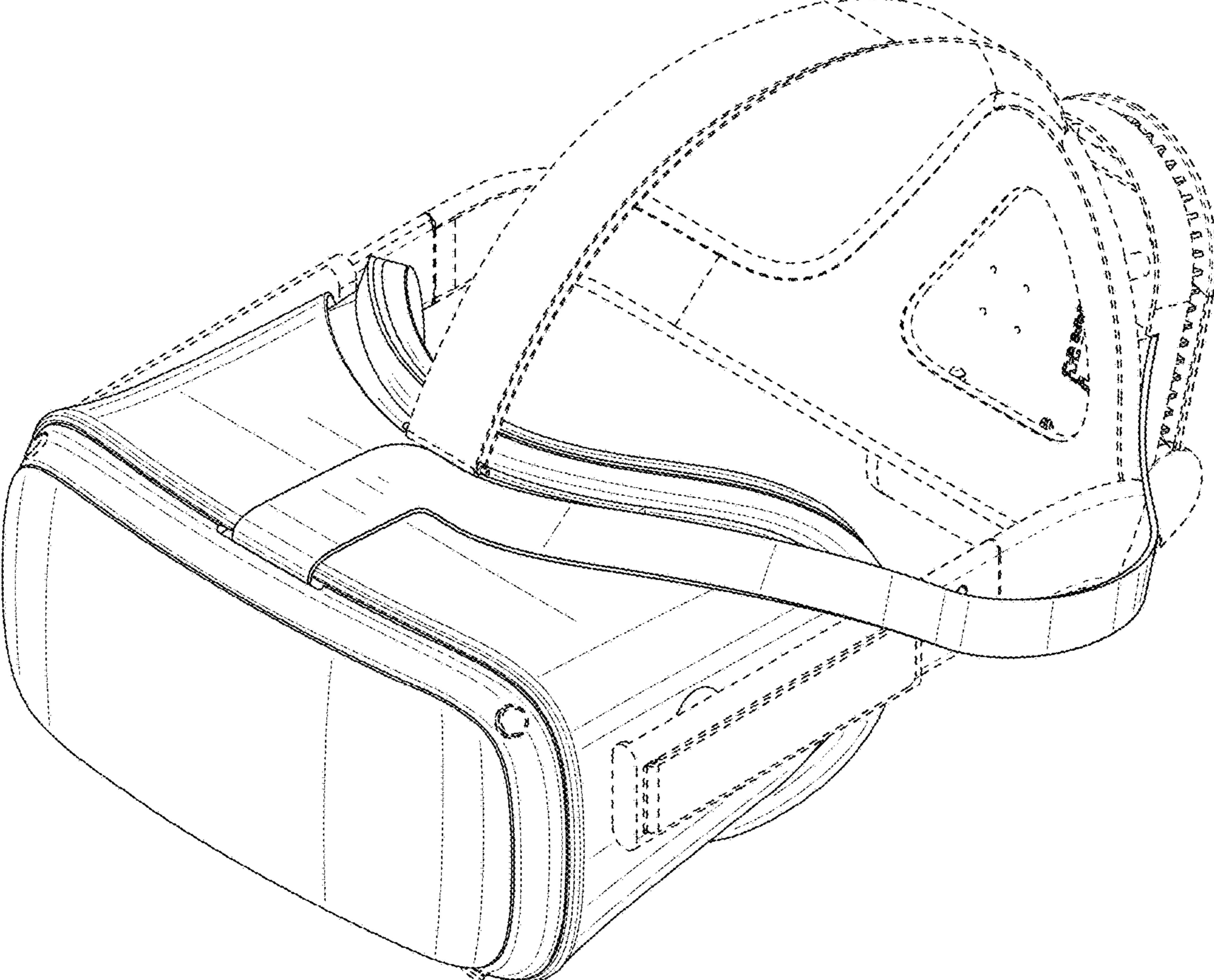


Fig. 8

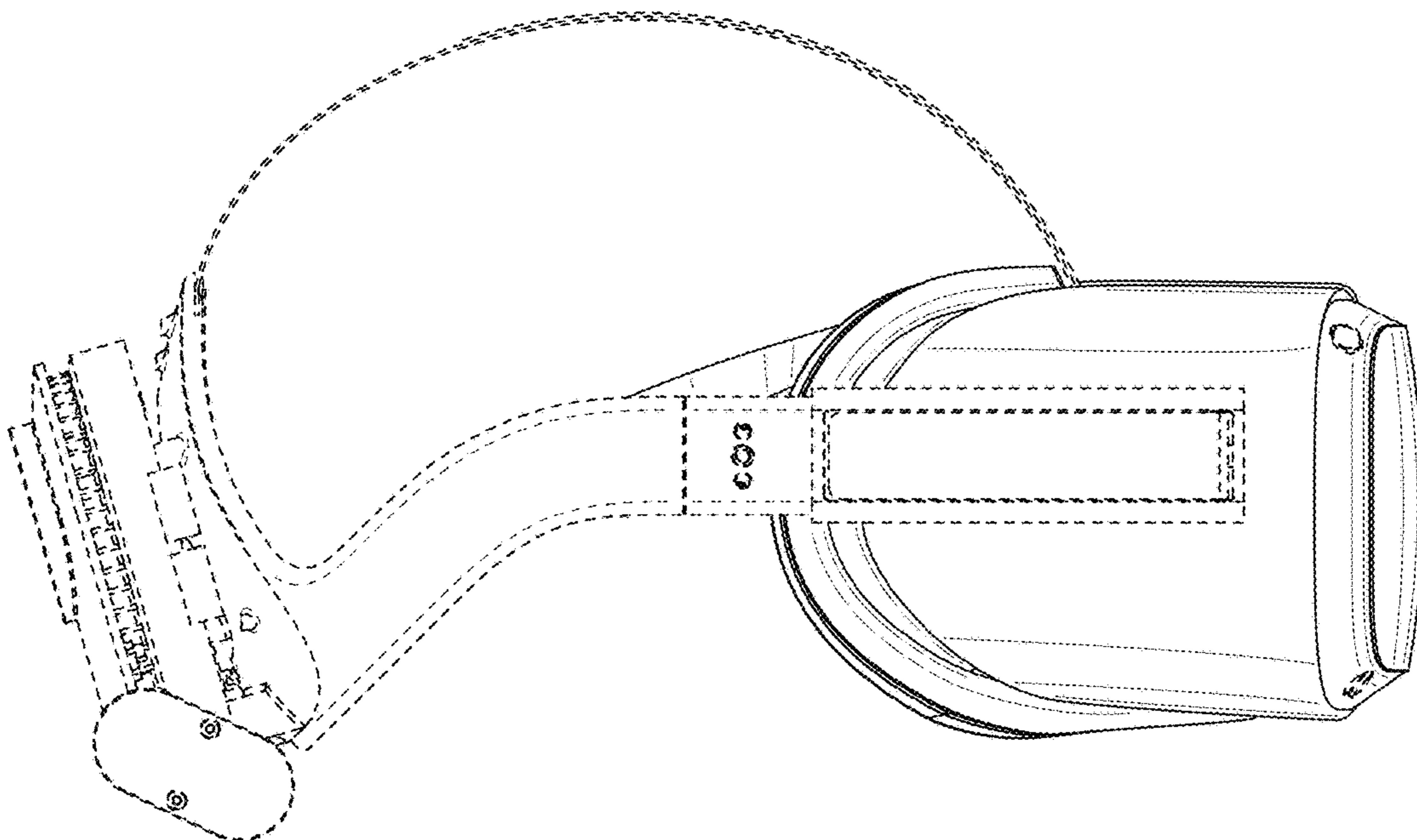


Fig. 9

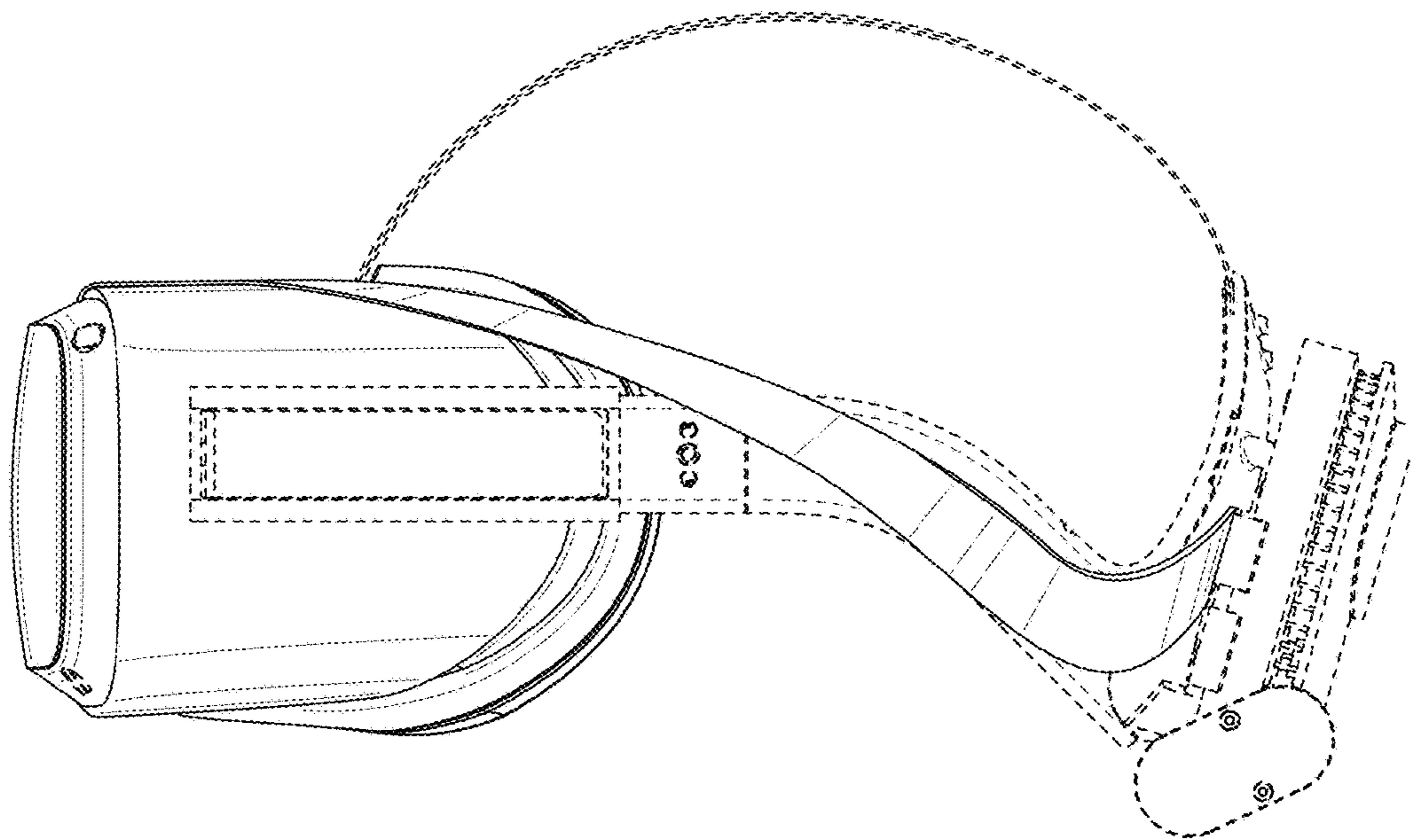


Fig. 10

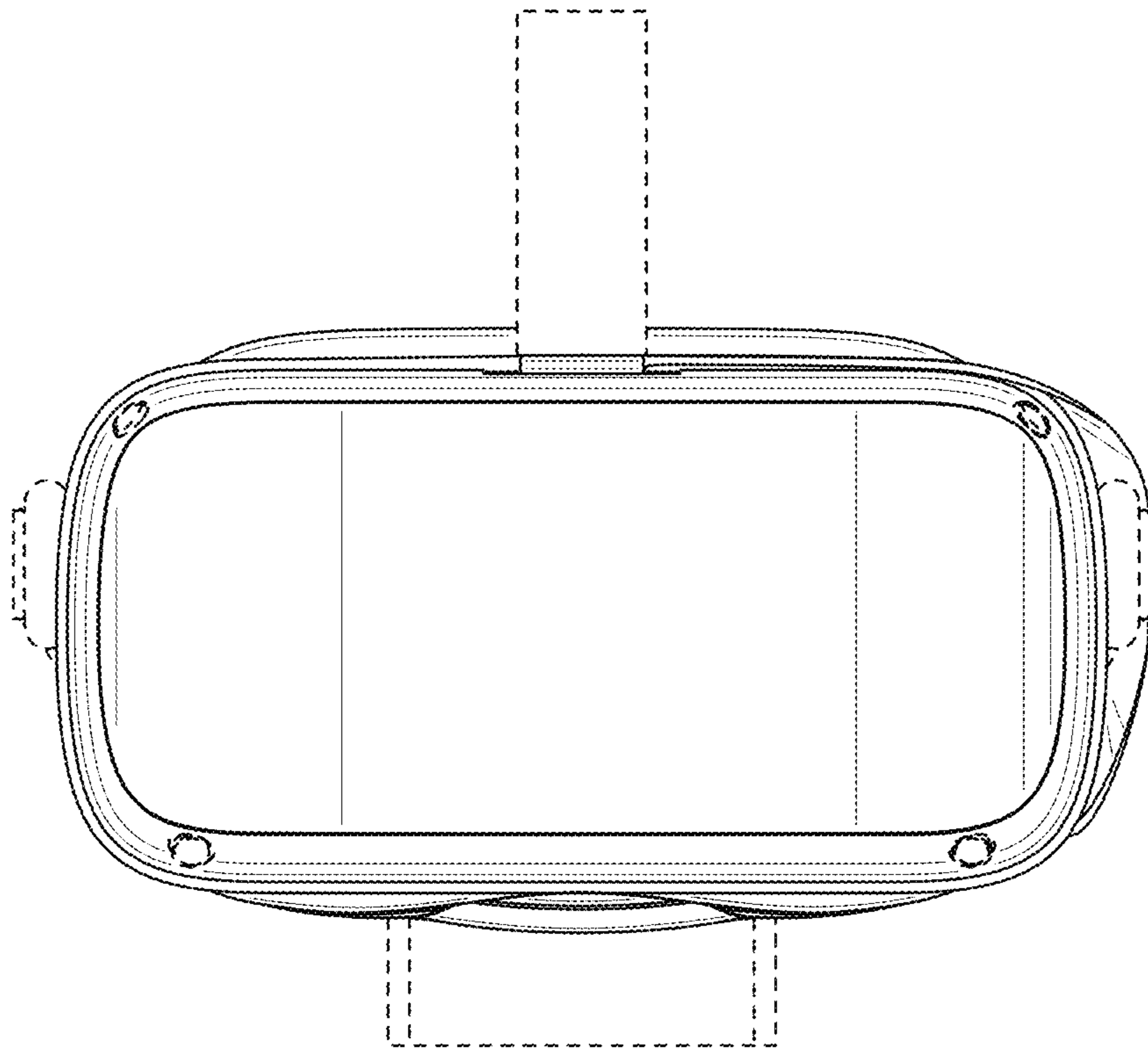


Fig. 11

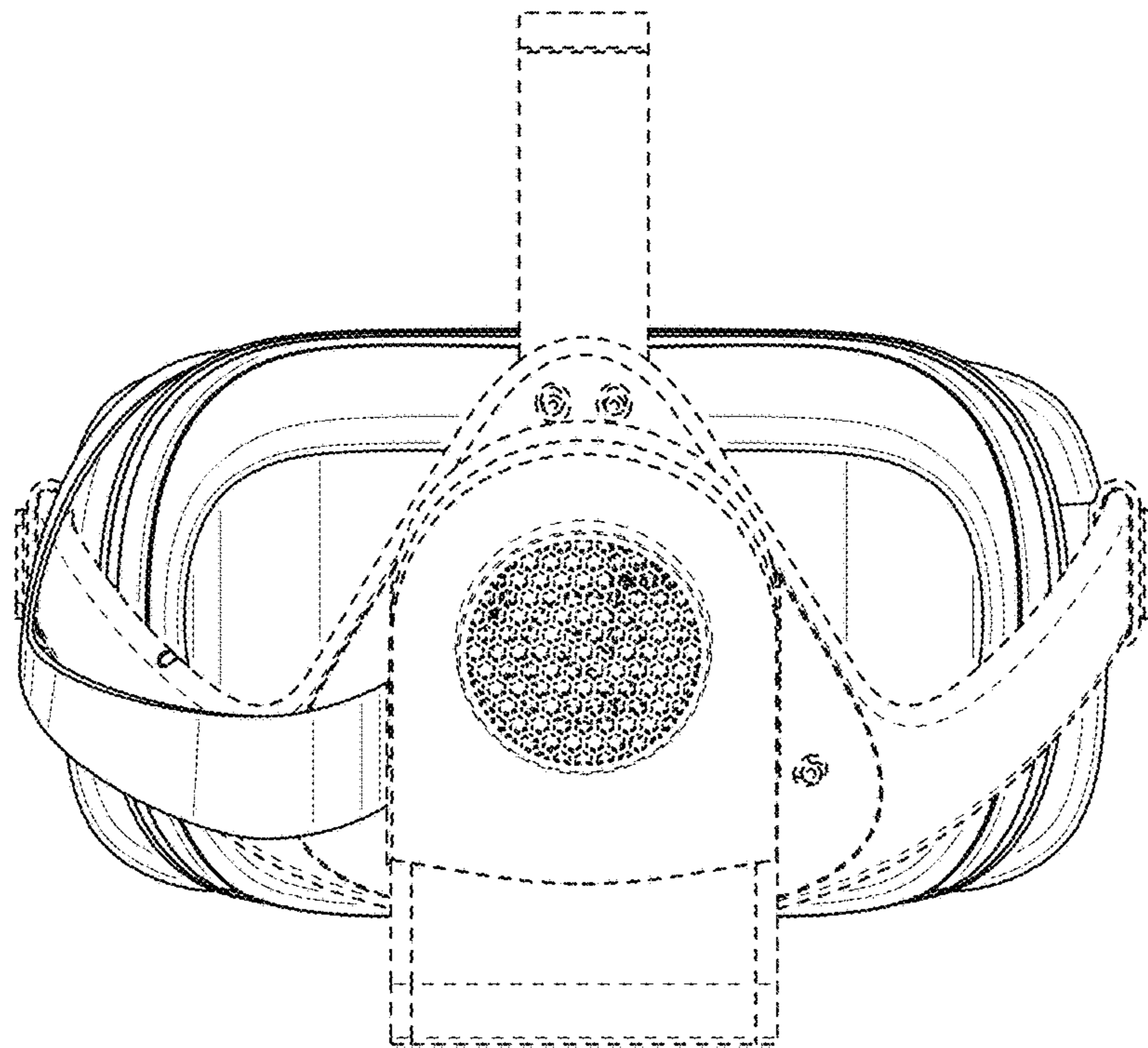


Fig. 12

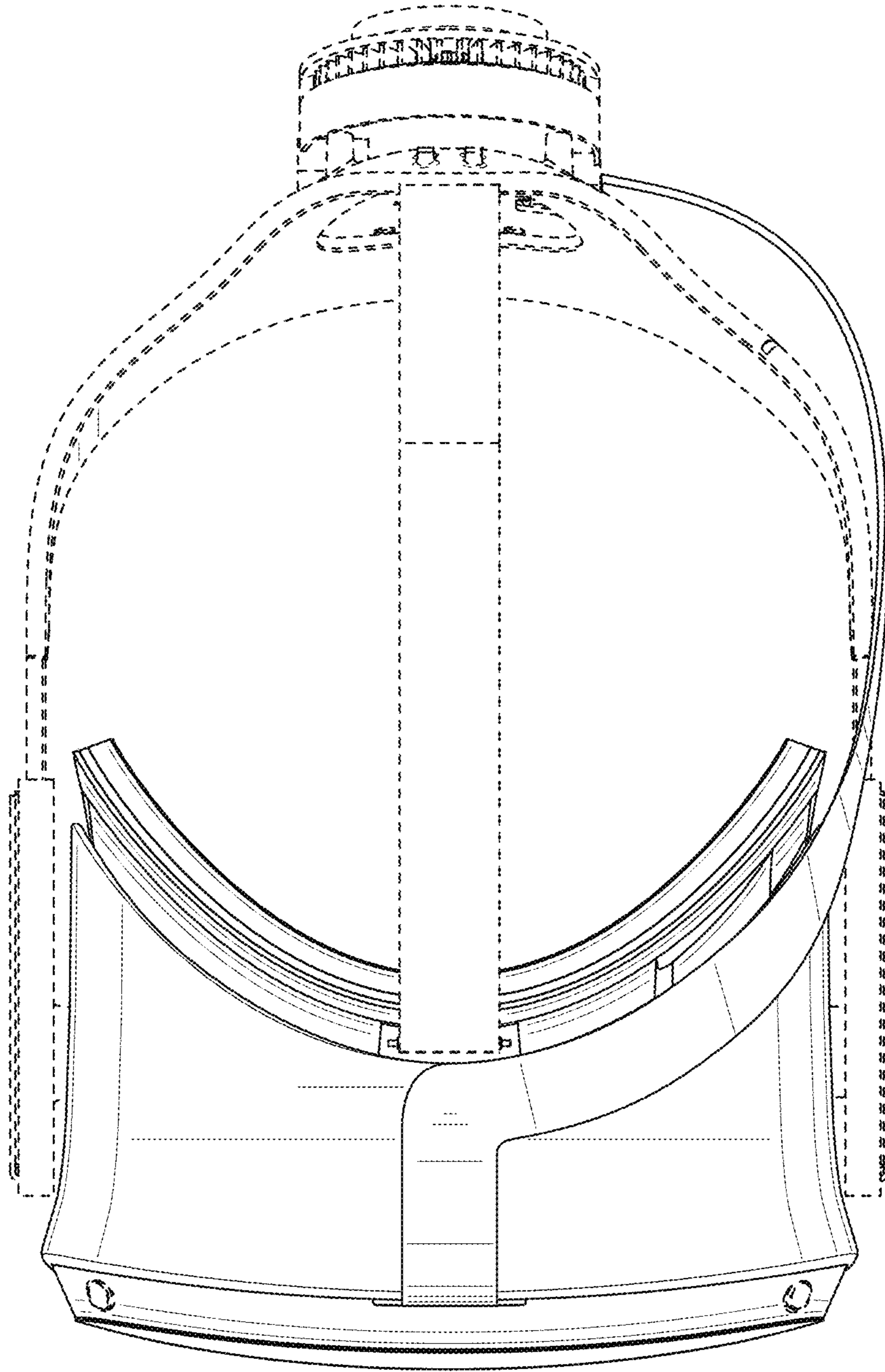


Fig. 13

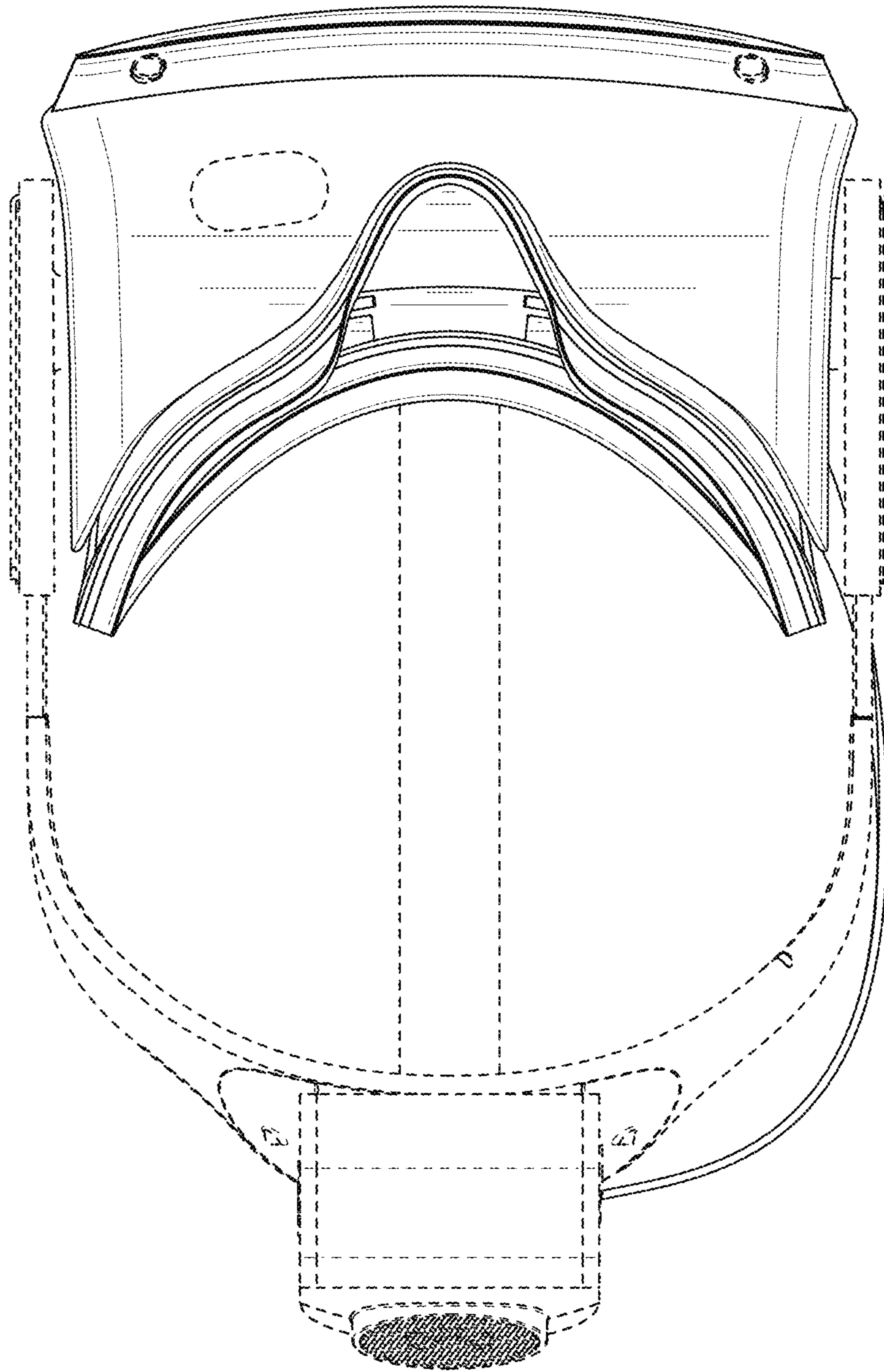


Fig. 14