



US00D800114S

(12) **United States Design Patent**  
**Woo et al.**

(10) **Patent No.:** **US D800,114 S**

(45) **Date of Patent:** **\*\* Oct. 17, 2017**

(54) **HEAD MOUNT DISPLAY**

(71) Applicant: **SAMSUNG ELECTRONICS CO., LTD.**, Suwon-si, Gyeonggi-do (KR)

(72) Inventors: **Giha Woo**, Seoul (KR); **Baekki Kim**, Seoul (KR); **Kwaneui Hong**, Yongin (KR)

(73) Assignee: **SAMSUNG ELECTRONICS CO., LTD.**, Gyeonggi-Do (KR)

(\*\*) Term: **15 Years**

(21) Appl. No.: **29/570,939**

(22) Filed: **Jul. 13, 2016**

(30) **Foreign Application Priority Data**

Jan. 15, 2016 (KR) ..... 30-2016-0002169

(51) **LOC (10) Cl.** ..... **14-02**

(52) **U.S. Cl.**  
USPC ..... **D14/372**

(58) **Field of Classification Search**  
USPC ..... D14/372, 496, 432, 371, 125, 126, 129, D14/299; D16/300-342; 351/158, 153, 351/144; 345/7-9, 905; 455/344; 348/115, 53, 121, 739  
CPC ..... G02B 27/017; G02B 27/0158; G02B 27/0161; G02B 27/0181; G02B 27/0185; G02B 27/0189

See application file for complete search history.

(56) **References Cited**

**U.S. PATENT DOCUMENTS**

D750,074 S \* 2/2016 Coz ..... D14/372  
D751,072 S \* 3/2016 Lyons ..... D14/372

D755,789 S \* 5/2016 Lyons ..... D14/372  
D757,003 S \* 5/2016 Goossens ..... D14/372  
D757,726 S \* 5/2016 Lee ..... D14/372  
D759,654 S \* 6/2016 Sullivan ..... D14/372  
D765,658 S \* 9/2016 Spio ..... D14/372  
D766,896 S \* 9/2016 Li ..... D14/372

\* cited by examiner

*Primary Examiner* — Austin Murphy

(74) *Attorney, Agent, or Firm* — Cantor Colburn LLP

(57) **CLAIM**

The ornamental design for a head mount display, as shown and described.

**DESCRIPTION**

FIG. 1 is a front perspective view of a head mount display, showing our new design;  
FIG. 2 is a front view thereof;  
FIG. 3 is a rear view thereof;  
FIG. 4 is a left-side view thereof;  
FIG. 5 is a right-side view thereof;  
FIG. 6 is a top view thereof;  
FIG. 7 is a bottom view thereof;  
FIG. 8 is a rear perspective view thereof;  
FIG. 9 is an exploded perspective view thereof in an environment of use, in which the head mount display is combined with a portable terminal;  
FIG. 10 is another perspective view thereof in an alternate position;  
FIG. 11 is another bottom view thereof in another alternate position; and,  
FIG. 12 is a perspective view thereof, as shown in FIG. 11. The broken lines illustrating portions of the head mount display form no part of the claimed design.

**1 Claim, 8 Drawing Sheets**

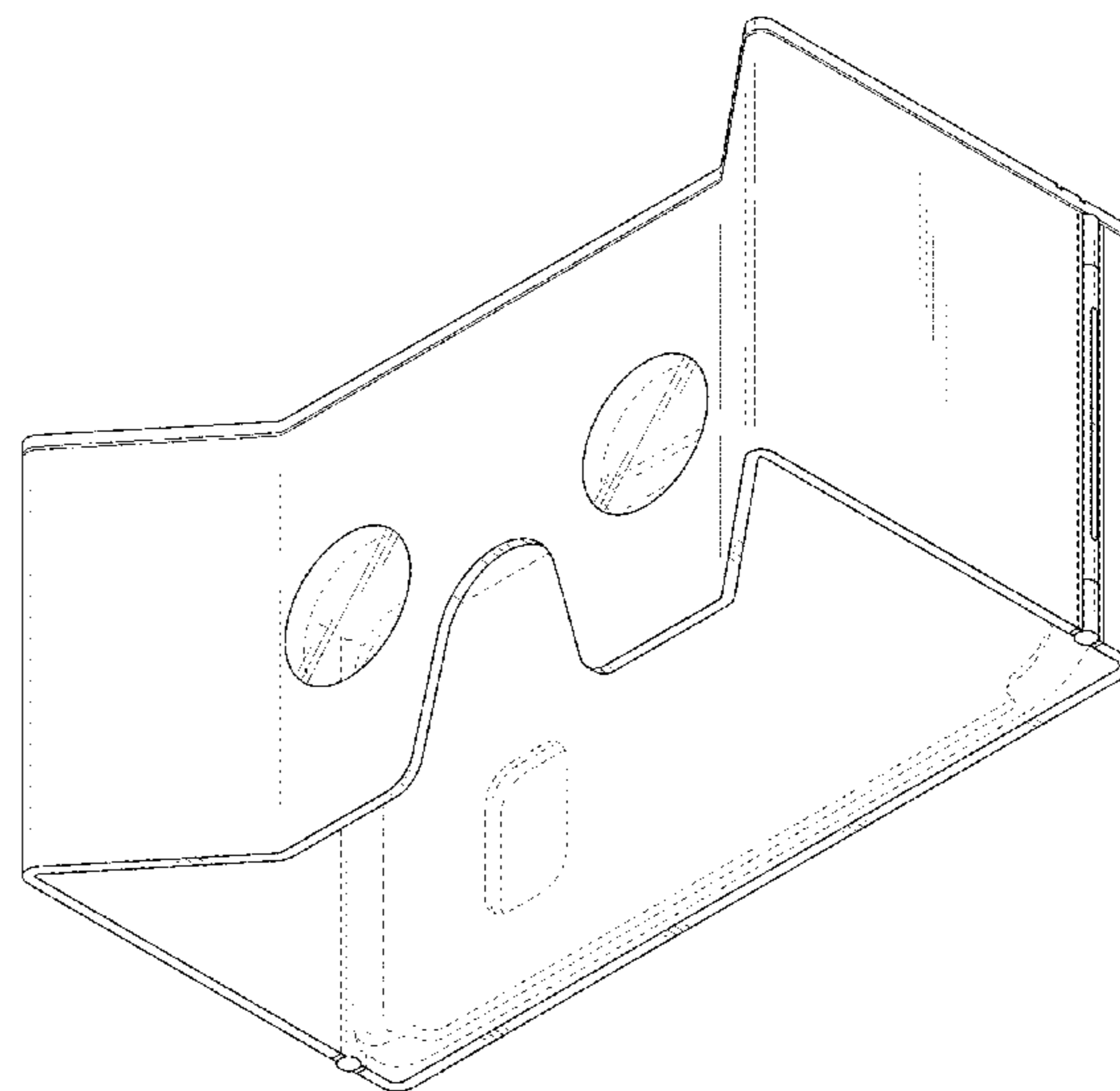
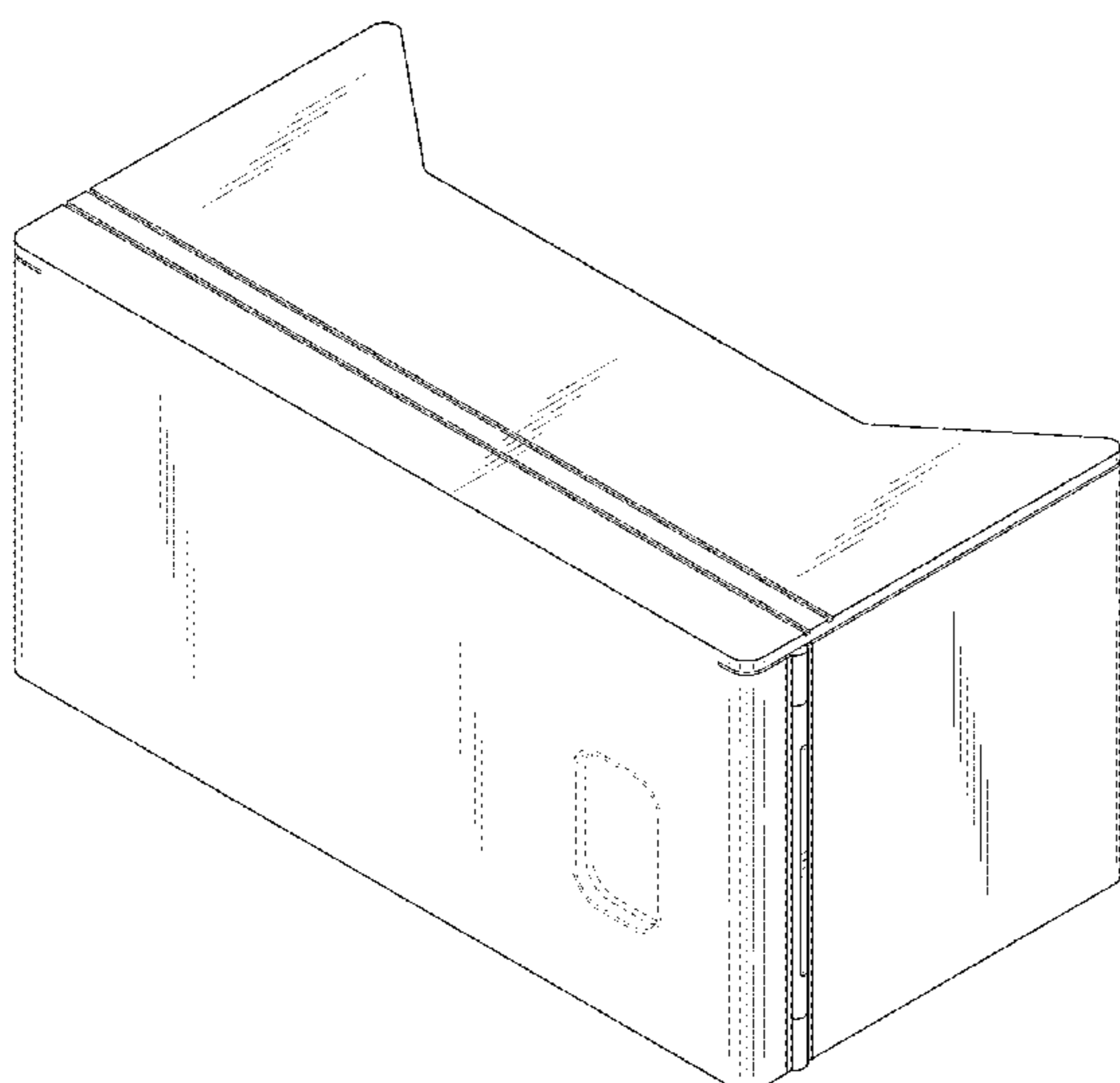


FIG.1

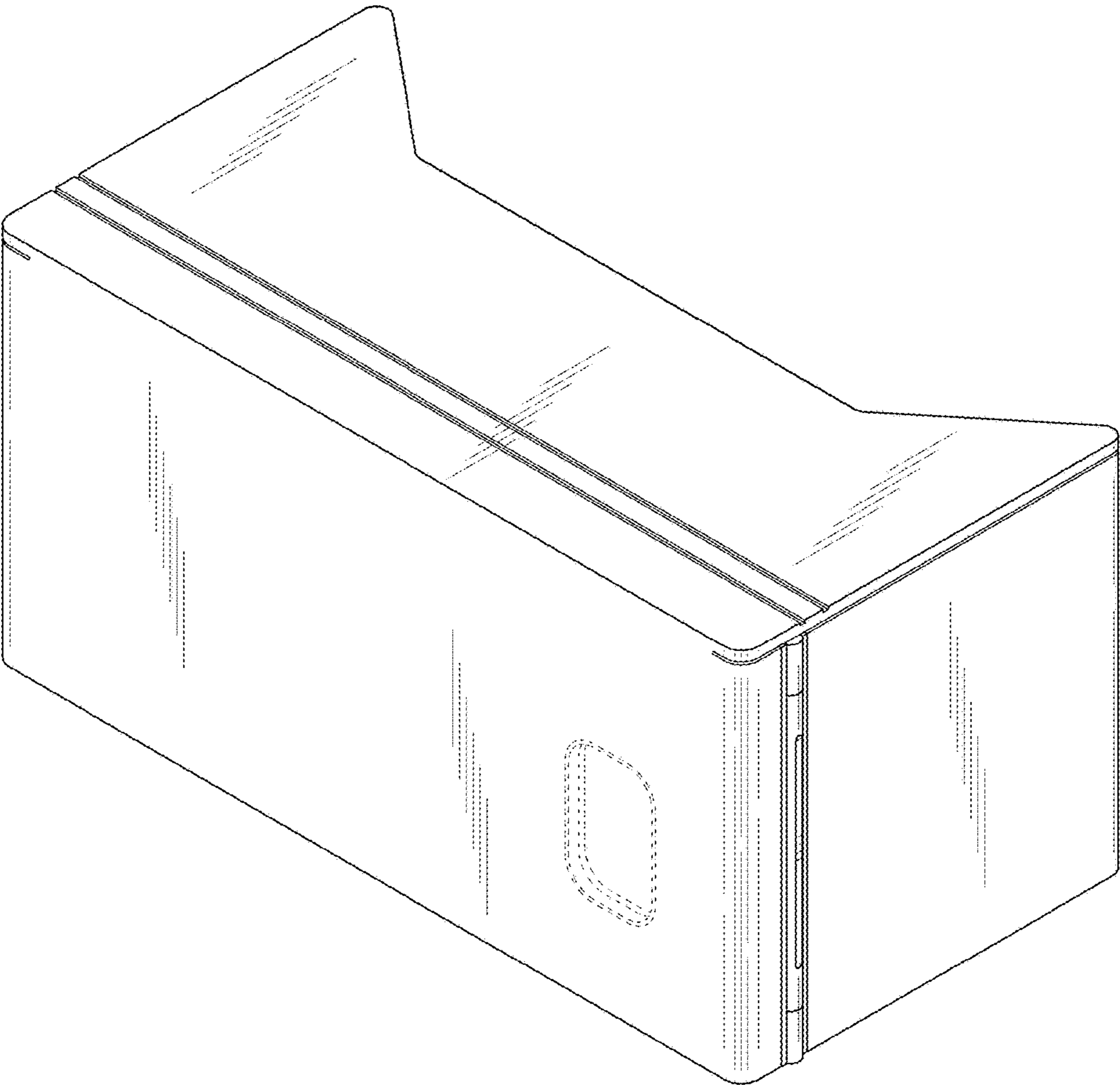


FIG.2

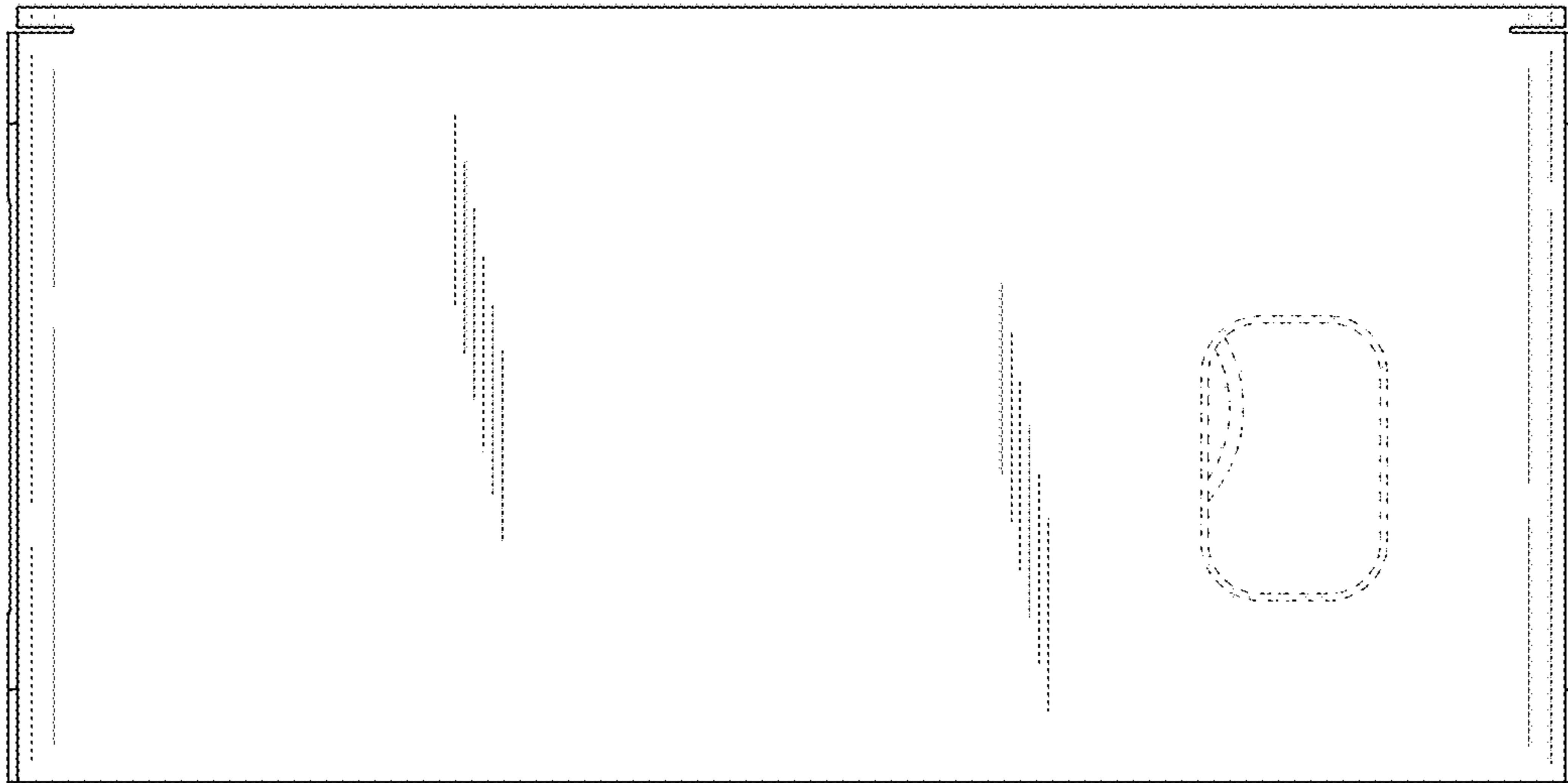


FIG.3

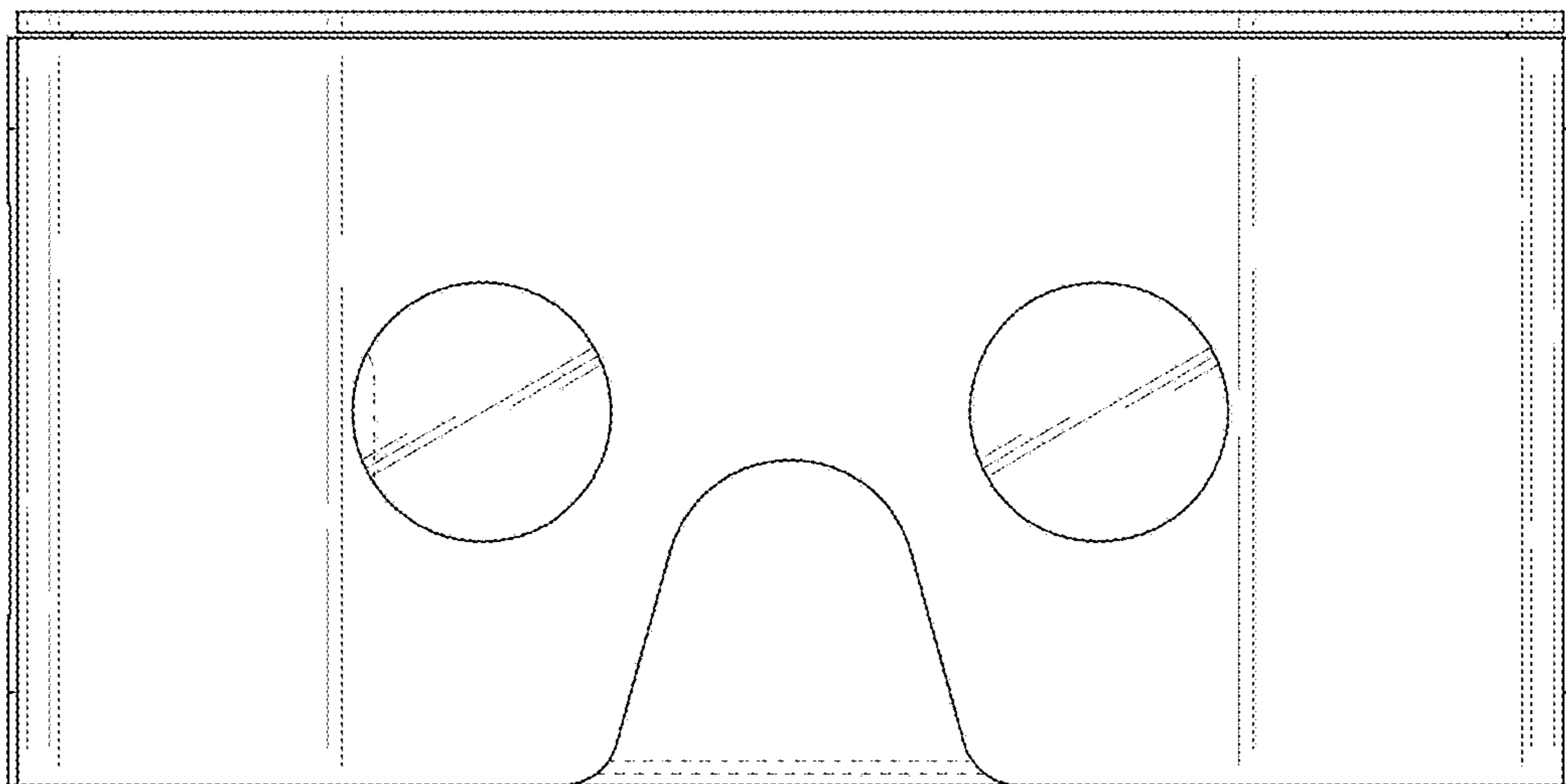


FIG.4

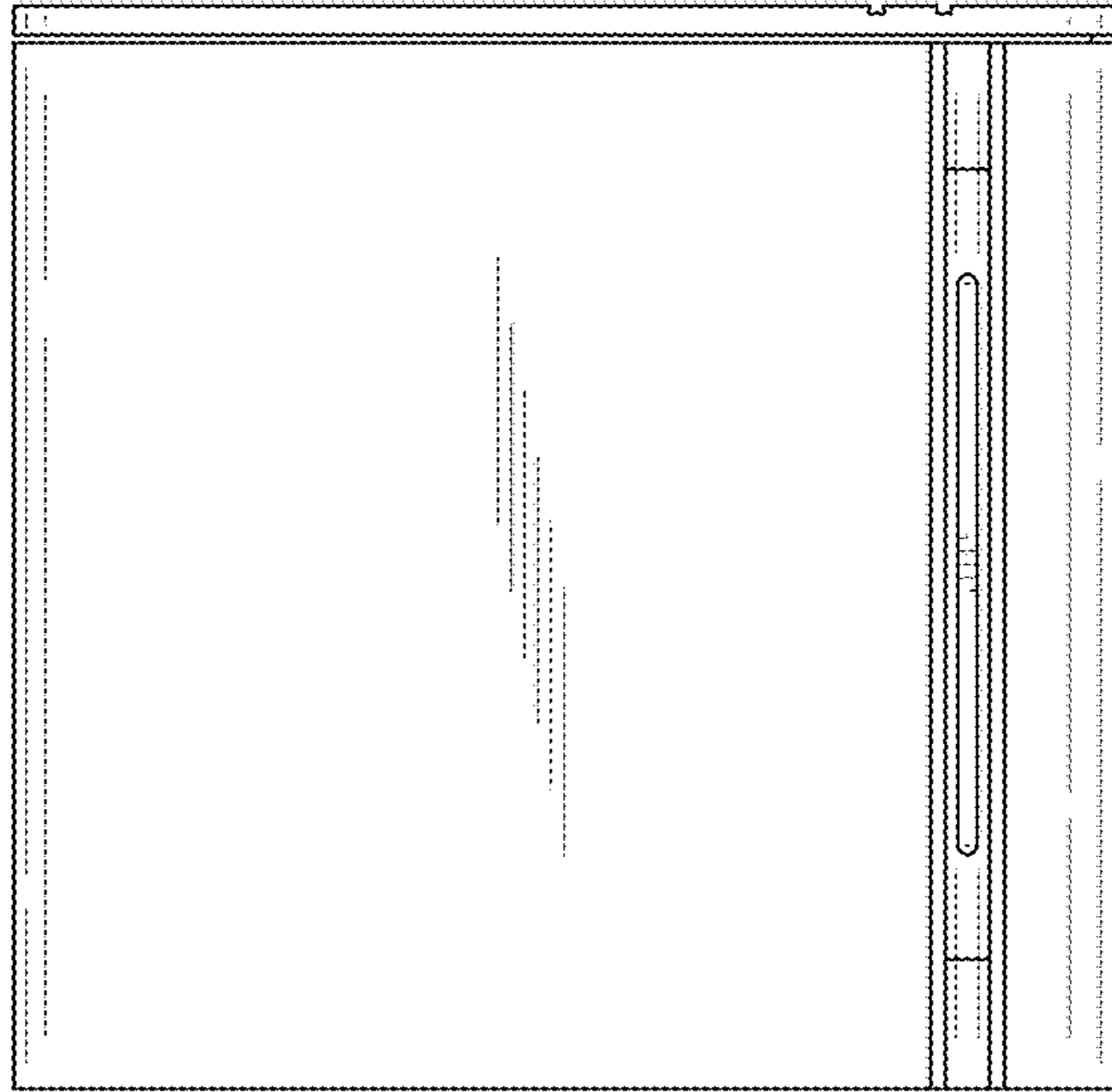


FIG.5

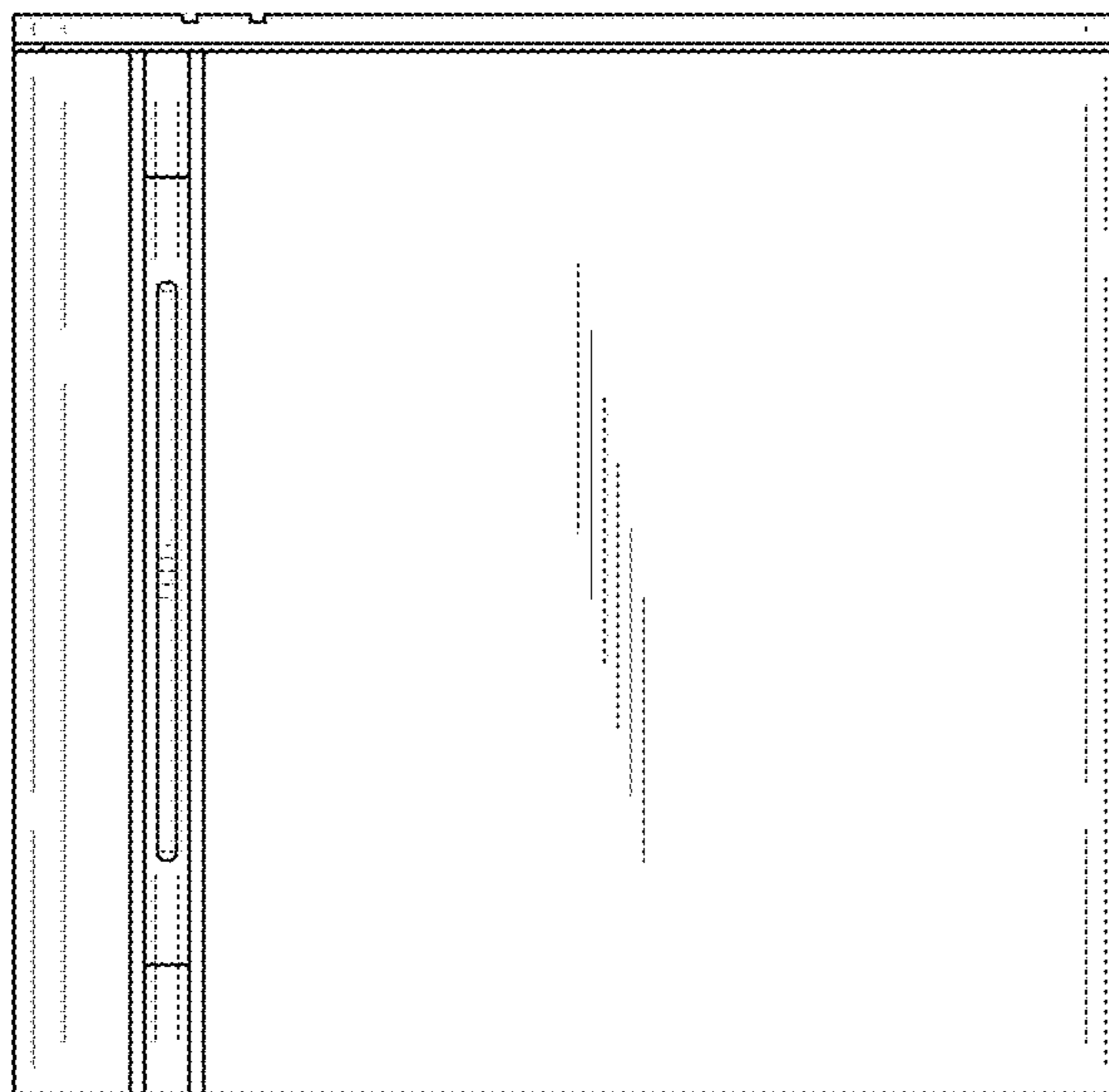


FIG.6

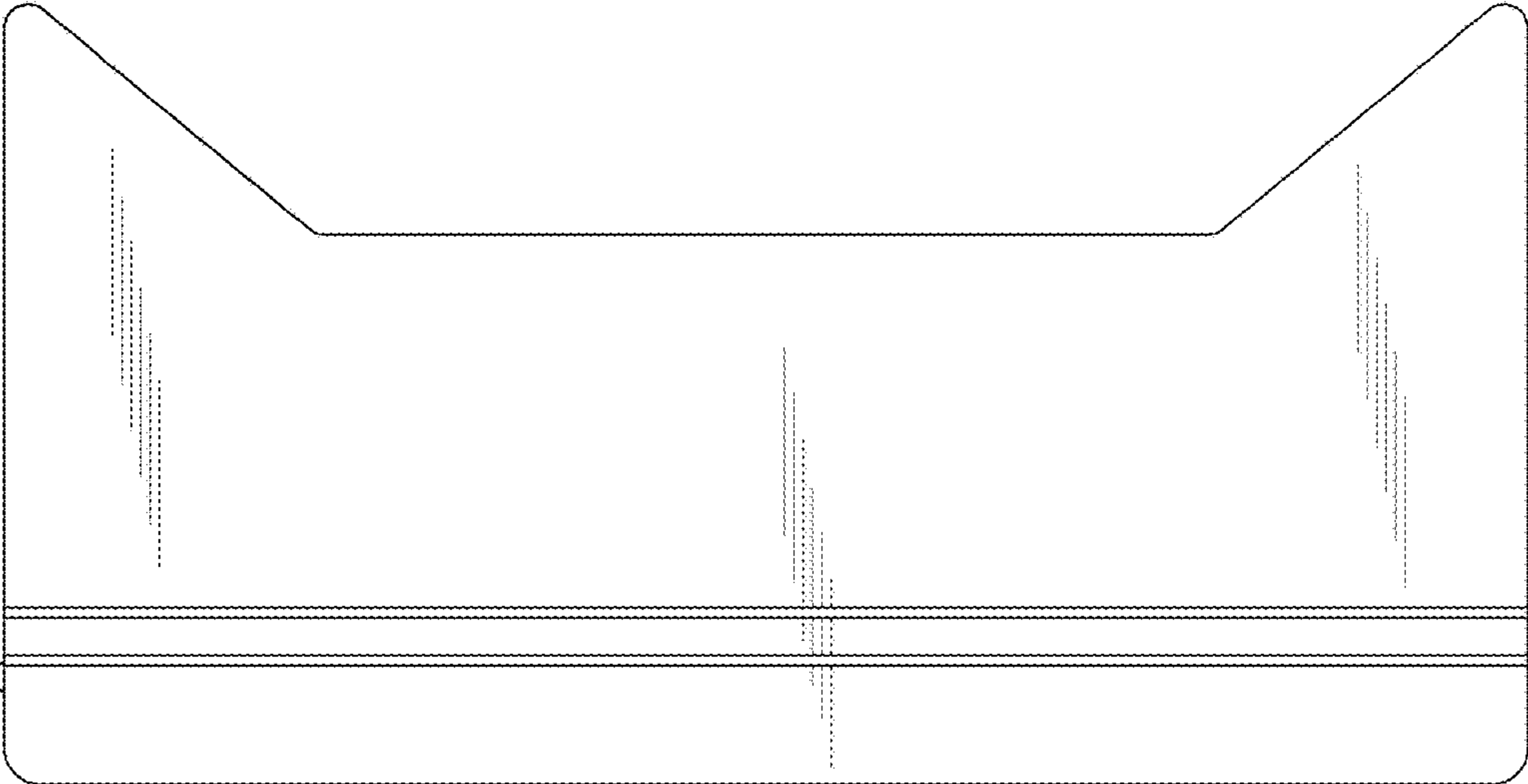


FIG.7

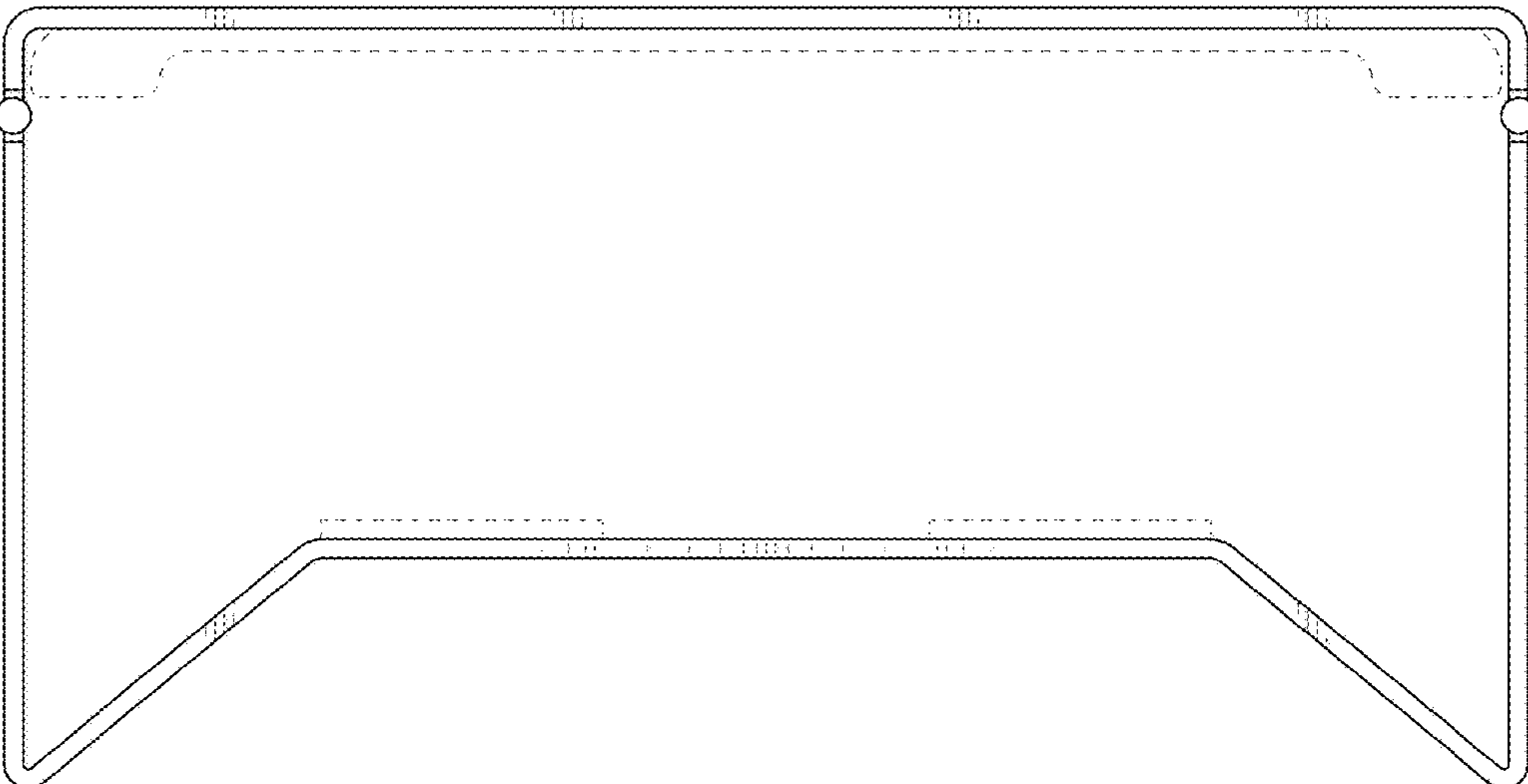


FIG.8

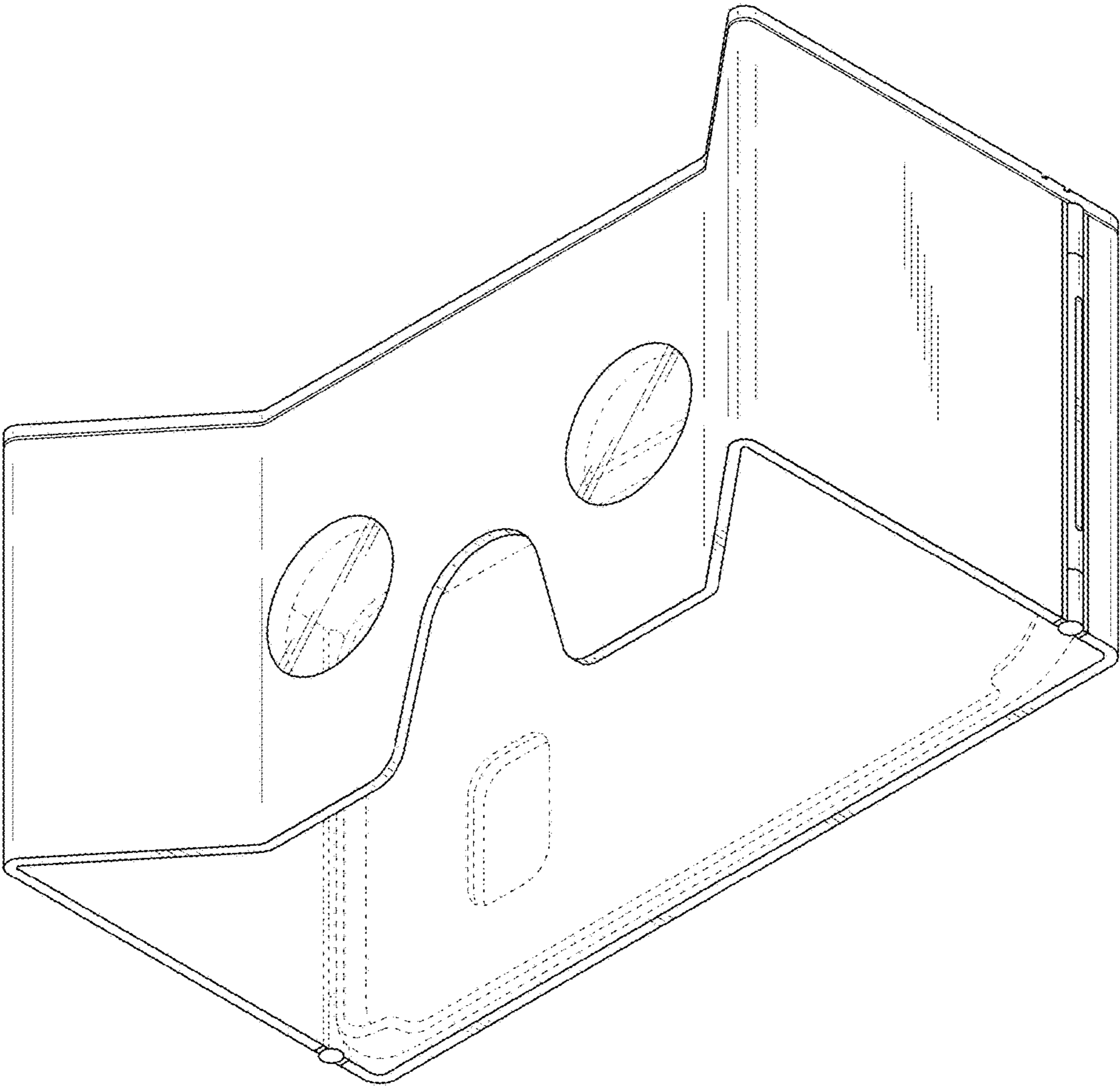


FIG.9

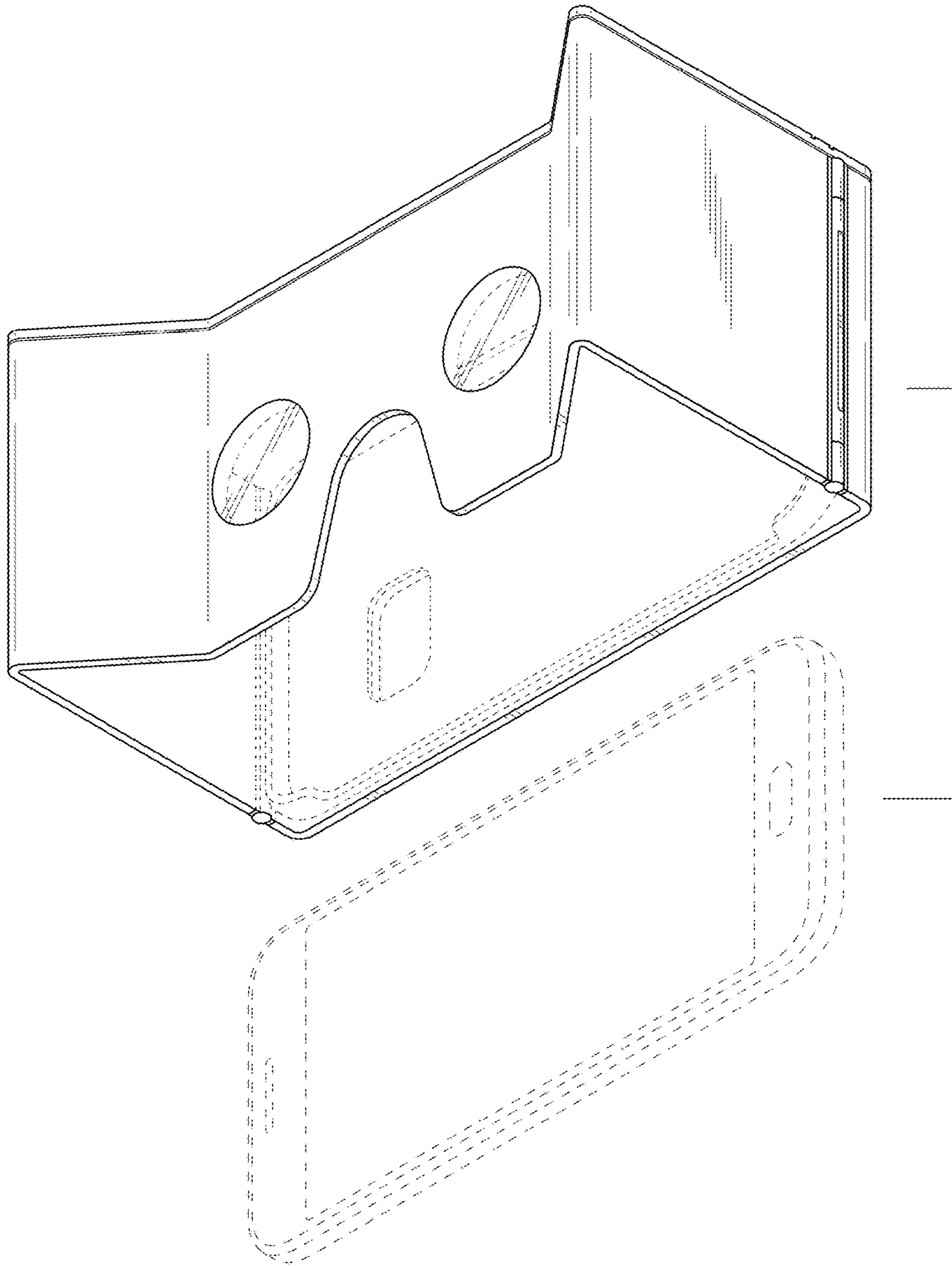


FIG.10

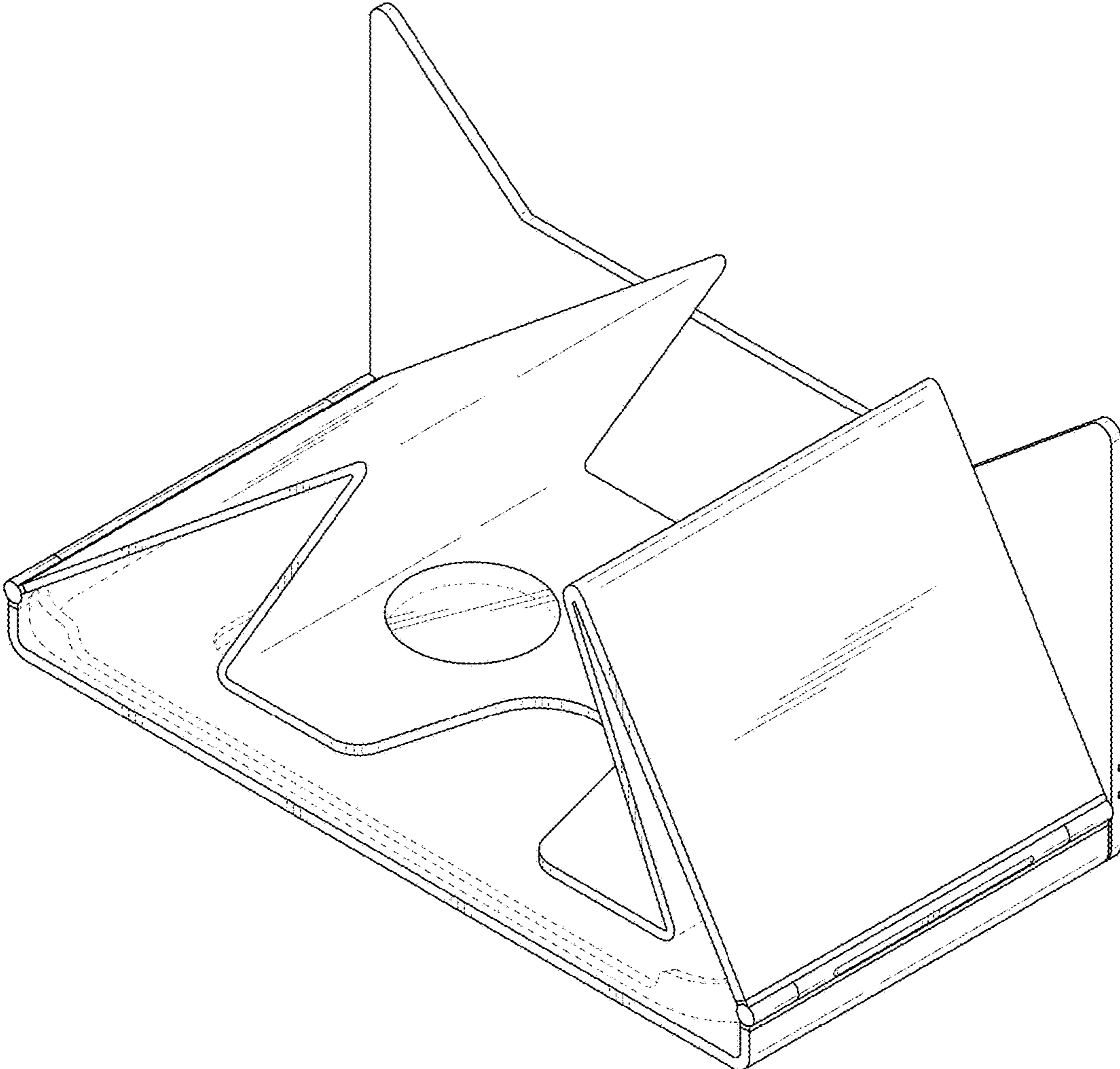




FIG.11

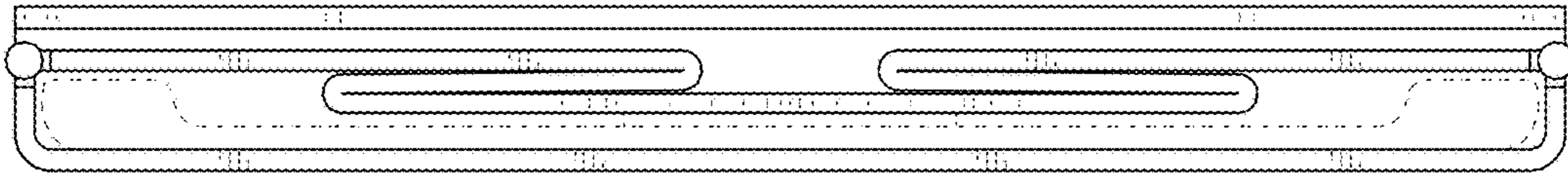


FIG.12

