



US00D800113S

(12) **United States Design Patent**  
**Wessman**

(10) **Patent No.:** **US D800,113 S**

(45) **Date of Patent:** **\*\* Oct. 17, 2017**

(54) **VIRTUAL REALITY VIEWER**

(71) Applicant: **Gregory K. Wessman**, Newport Beach, CA (US)

(72) Inventor: **Gregory K. Wessman**, Newport Beach, CA (US)

(\*\*) Term: **15 Years**

(21) Appl. No.: **29/563,130**

(22) Filed: **May 2, 2016**

(51) **LOC (10) Cl.** ..... **14-02**

(52) **U.S. Cl.**  
USPC ..... **D14/372**

(58) **Field of Classification Search**

USPC ..... D14/372, 496, 432, 371, 125, 126, 129, D14/299; D16/300-342; 351/158, 153, 351/144; 345/7-9, 905; 455/344; 348/115, 53, 121, 739  
CPC ..... G02B 27/017; G02B 27/0158; G02B 27/0161; G02B 27/0181; G02B 27/0185; G02B 27/0189

See application file for complete search history.

(56) **References Cited**

**U.S. PATENT DOCUMENTS**

D701,206 S	3/2014	Luckey et al.	
D750,074 S *	2/2016	Coz	D14/372
D751,072 S *	3/2016	Lyons	D14/372
D755,789 S *	5/2016	Lyons	D14/372
D757,003 S *	5/2016	Goossens	D14/372

(Continued)

*Primary Examiner* — Austin Murphy

(74) *Attorney, Agent, or Firm* — Stetina Brunda Garred and Brucker

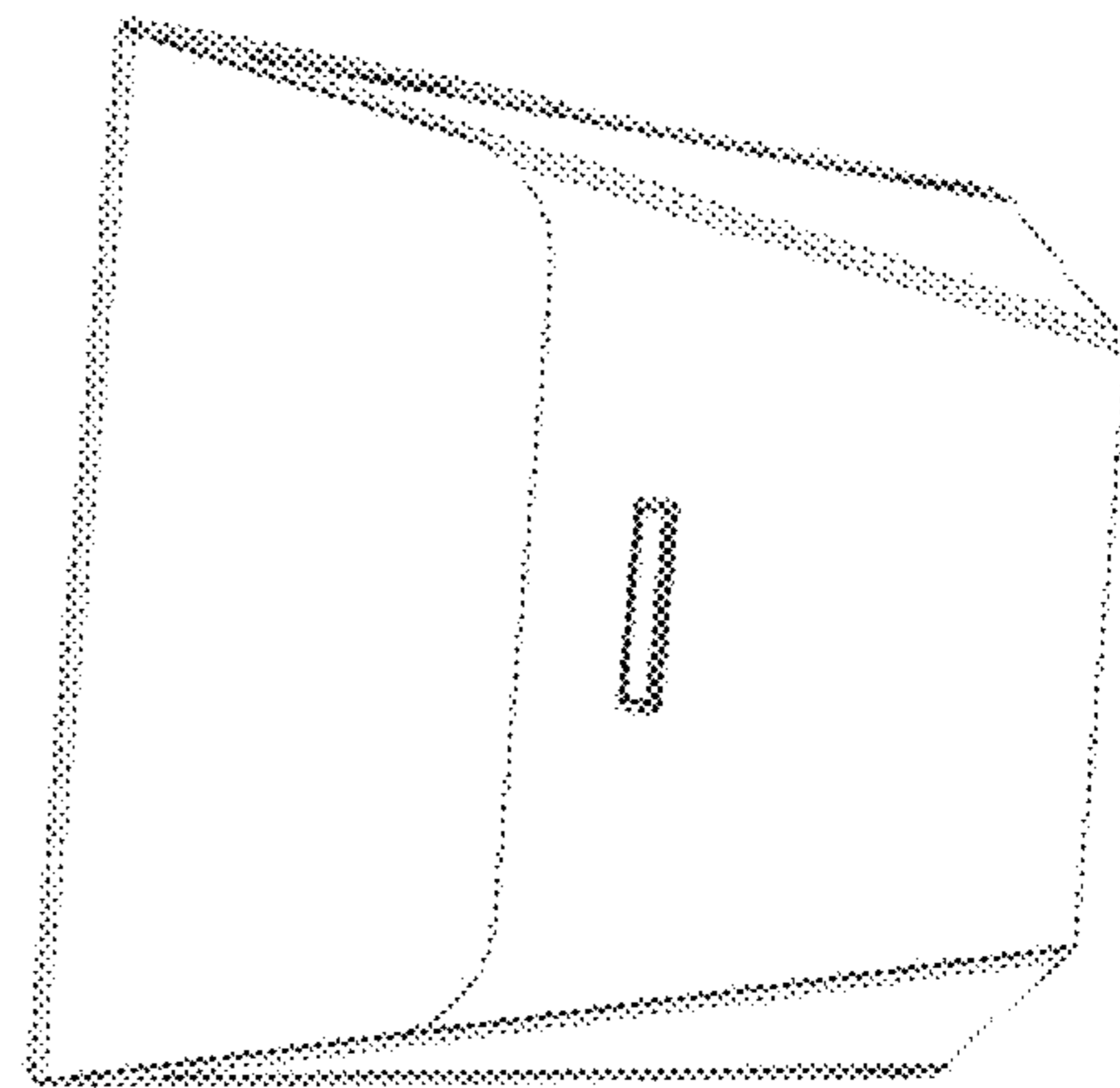
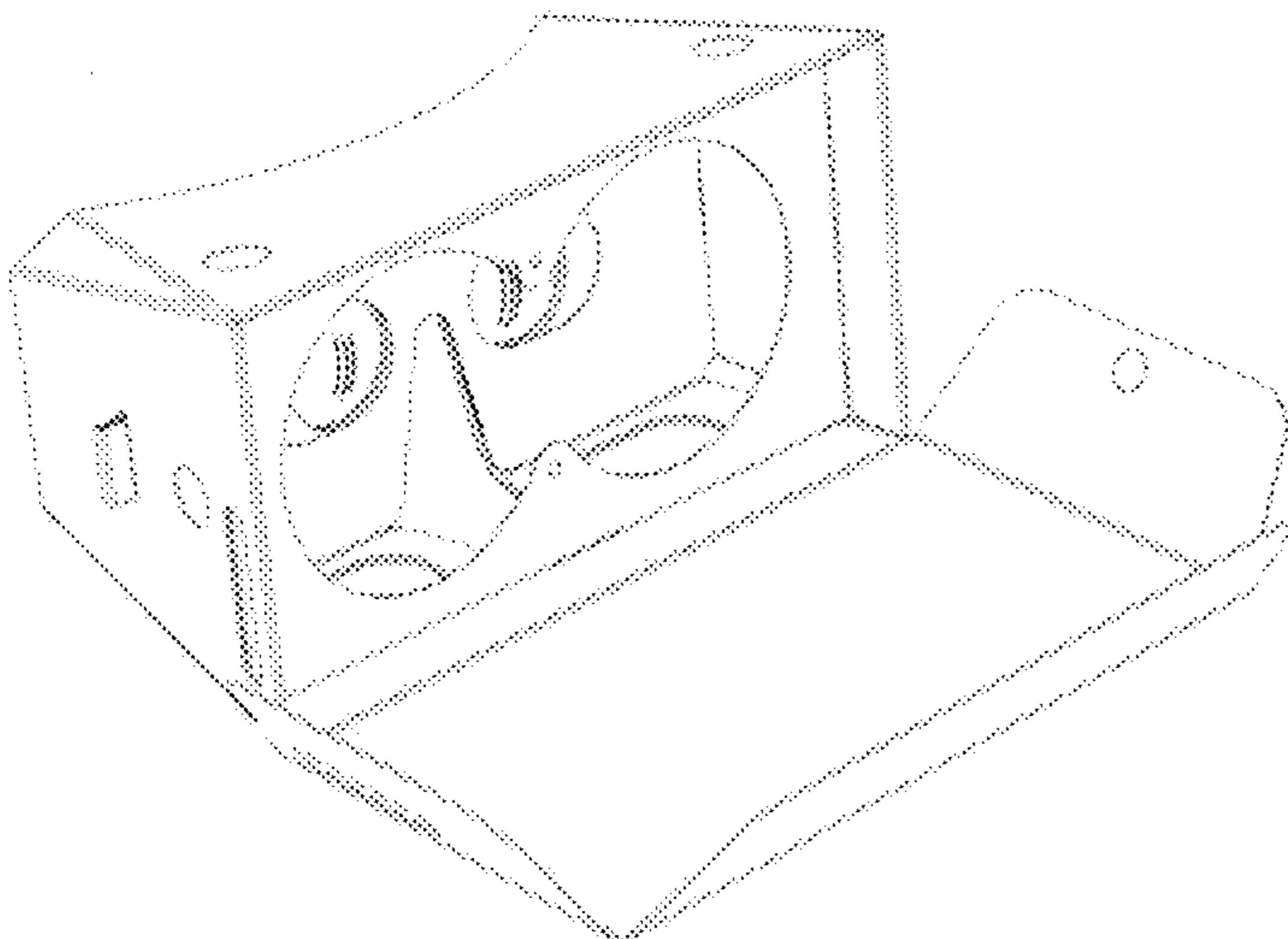
(57) **CLAIM**

The ornamental design for a virtual reality viewer, as shown and described.

**DESCRIPTION**

FIG. 1 is a front-top perspective view of a virtual reality viewer;  
 FIG. 2 is a front-top perspective view of a virtual reality viewer shown in FIG. 1 with a front cover in an opened configuration;  
 FIG. 3 is a bottom-rear perspective view of a virtual reality viewer shown in FIG. 1;  
 FIG. 4 is a rear-top perspective view of a virtual reality viewer shown in FIG. 1;  
 FIG. 5 is a top view of a virtual reality viewer shown in FIG. 1;  
 FIG. 6 is a bottom view of a virtual reality viewer shown in FIG. 1;  
 FIG. 7 is a front view of a virtual reality viewer shown in FIG. 1;  
 FIG. 8 is a rear view of a virtual reality viewer shown in FIG. 1;  
 FIG. 9 is a right-side view of a virtual reality viewer shown in FIG. 1;  
 FIG. 10 is a left-side view of a virtual reality viewer shown in FIG. 1;  
 FIG. 11 is a front perspective view of left and right adjustable lens fixtures with lenses of the virtual reality viewer shown in FIG. 1;  
 FIG. 12 is a front-bottom perspective view of the right lens fixture in a partially unfolded configuration for the virtual reality viewer shown in FIG. 1;  
 FIG. 13 is a front perspective view the lens of the right lens fixture of the virtual reality viewer shown in FIG. 11;  
 FIG. 14 is a front perspective view of a virtual reality viewer shown in FIG. 1; and,  
 FIG. 15 is a view of a die-cut pattern portion and the left and right adjustable lens fixtures of the virtual reality viewer shown in FIG. 1 as shown in an unfolded configuration.  
 Any broken lines in the drawings represent portions of the virtual reality viewer or represent environment that form no part of the claimed design.

**1 Claim, 8 Drawing Sheets**



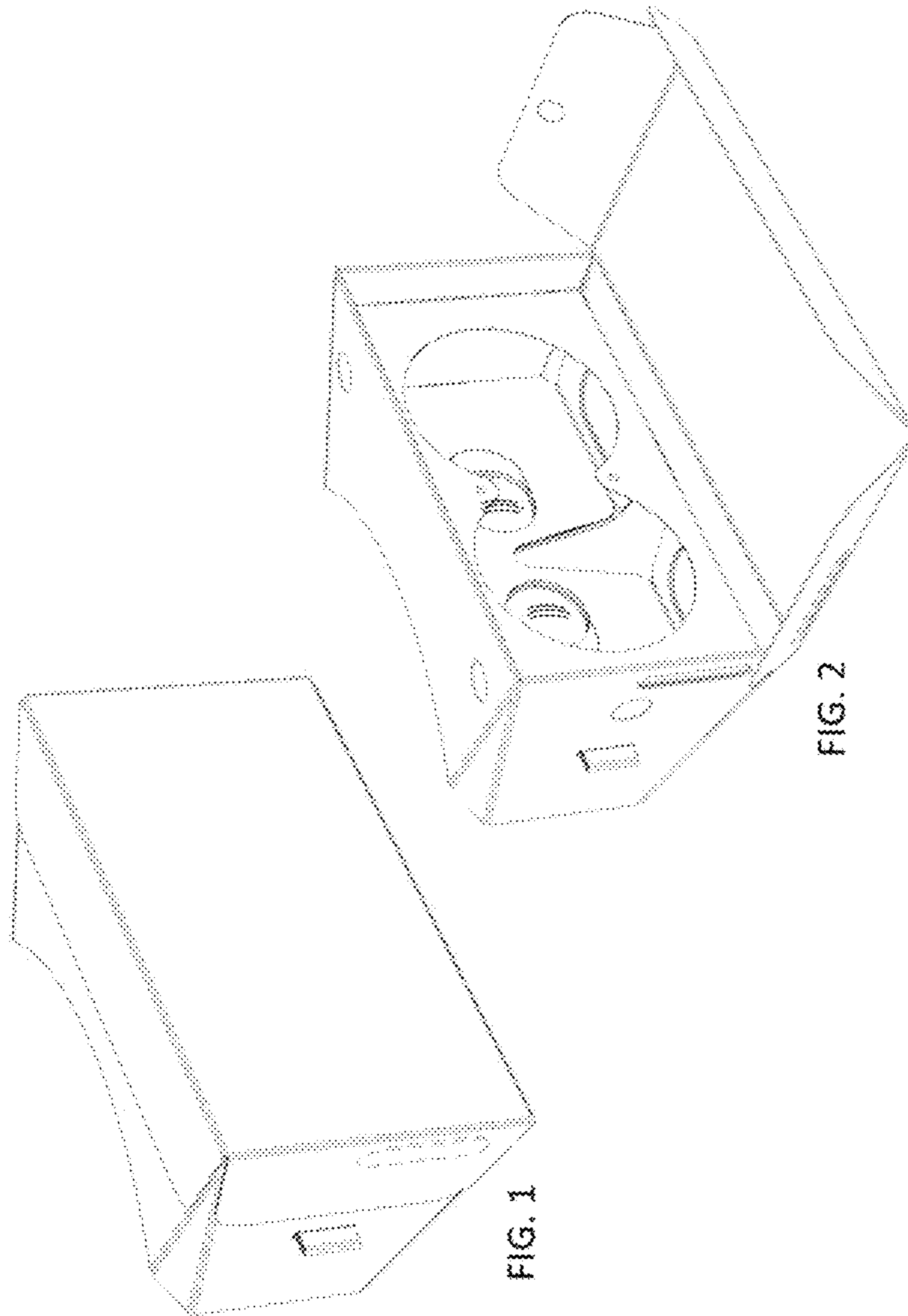
(56)

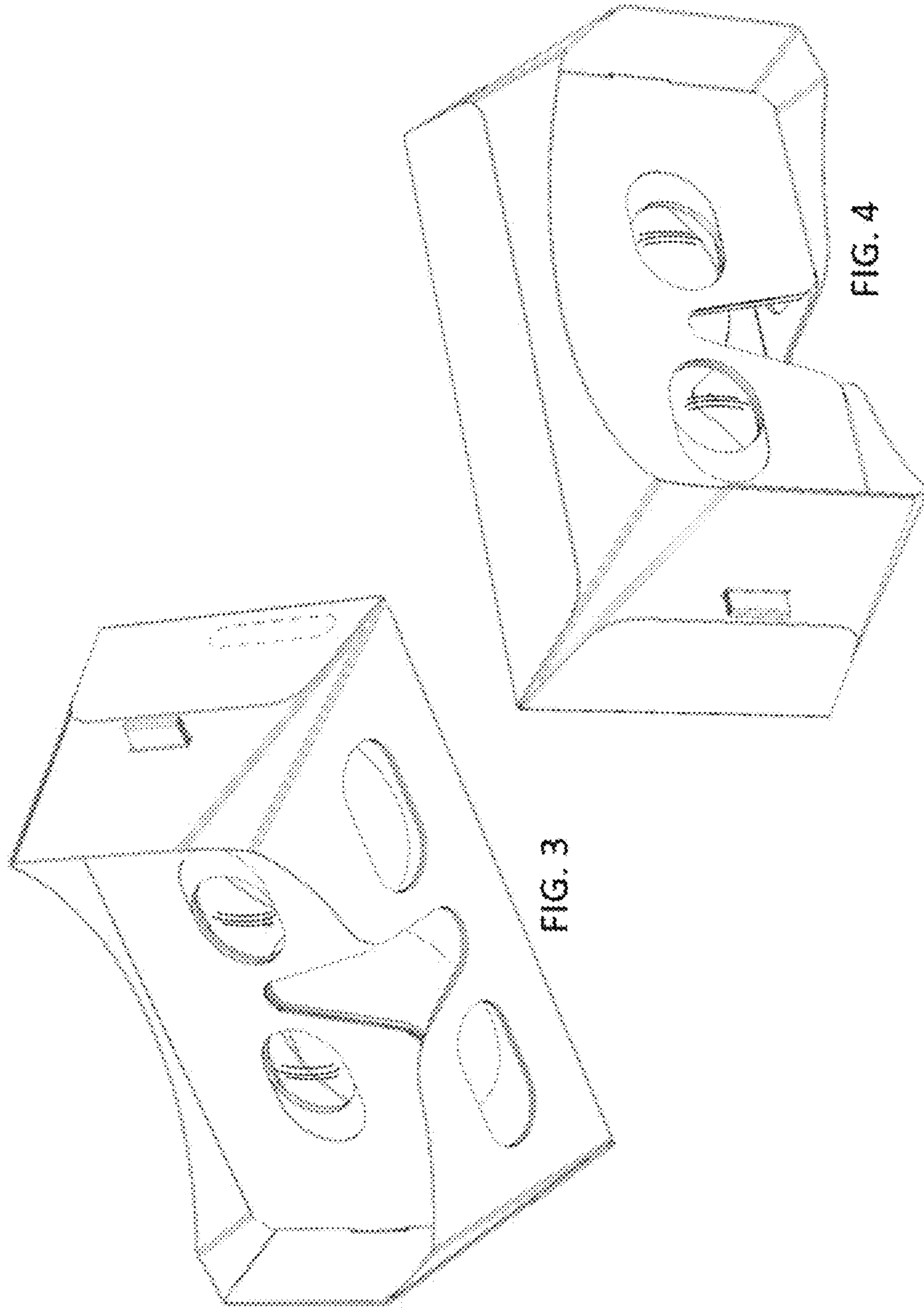
**References Cited**

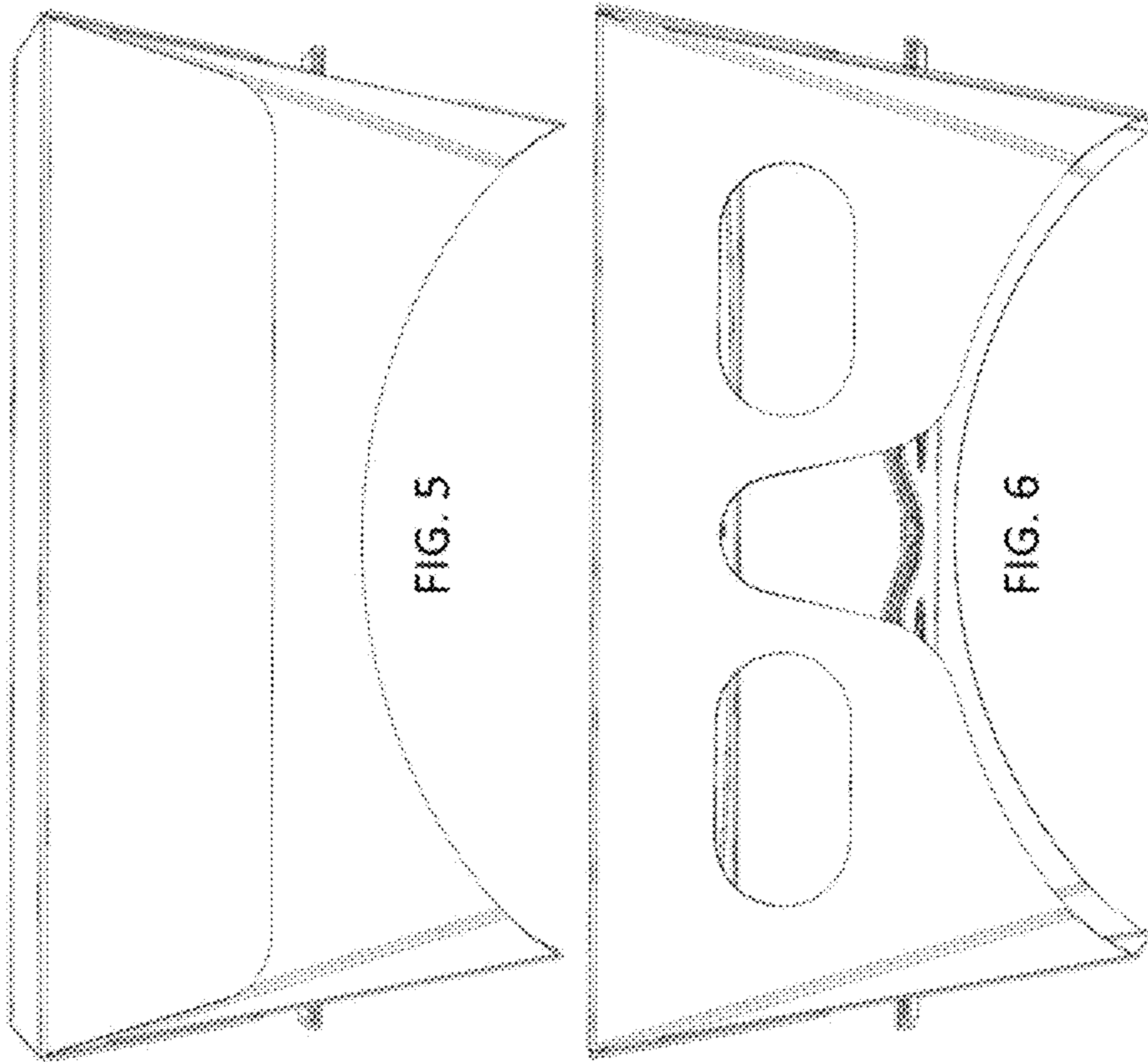
U.S. PATENT DOCUMENTS

D765,658	S *	9/2016	Spio .....	D14/372
D792,398	S *	7/2017	Costa .....	D14/372
D792,879	S *	7/2017	Nakamura .....	D14/372
D793,390	S *	8/2017	Huang .....	D14/372
2016/0180591	A1 *	6/2016	Shiu .....	G02B 27/0172
				345/633
2016/0203642	A1 *	7/2016	Thomas .....	G02B 27/017
				345/8
2016/0349836	A1 *	12/2016	Goossens .....	G06F 3/011
2017/0031164	A1 *	2/2017	Costa .....	G02B 27/028
2017/0031165	A1 *	2/2017	Costa .....	G02B 27/028

\* cited by examiner







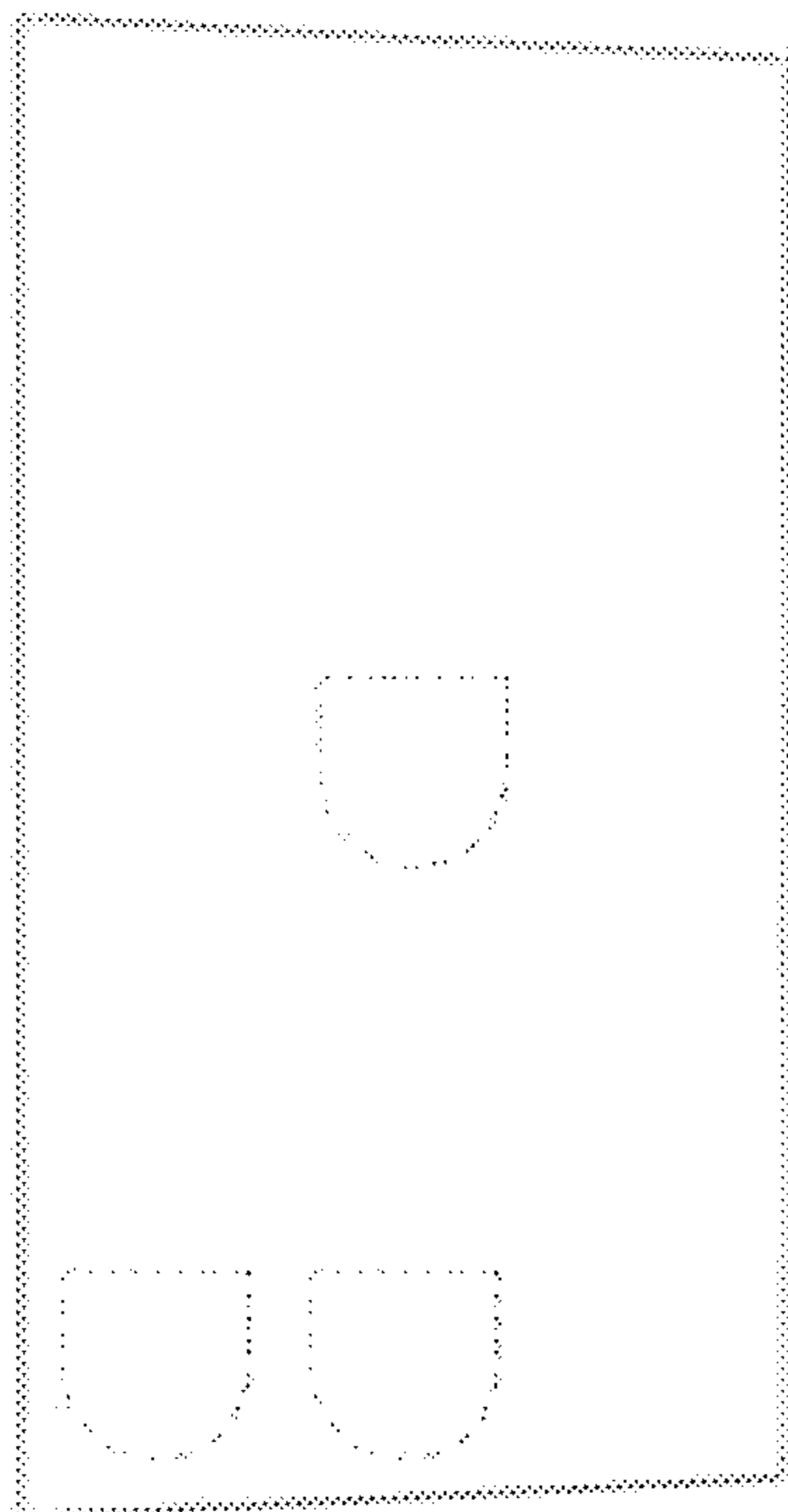


FIG. 7

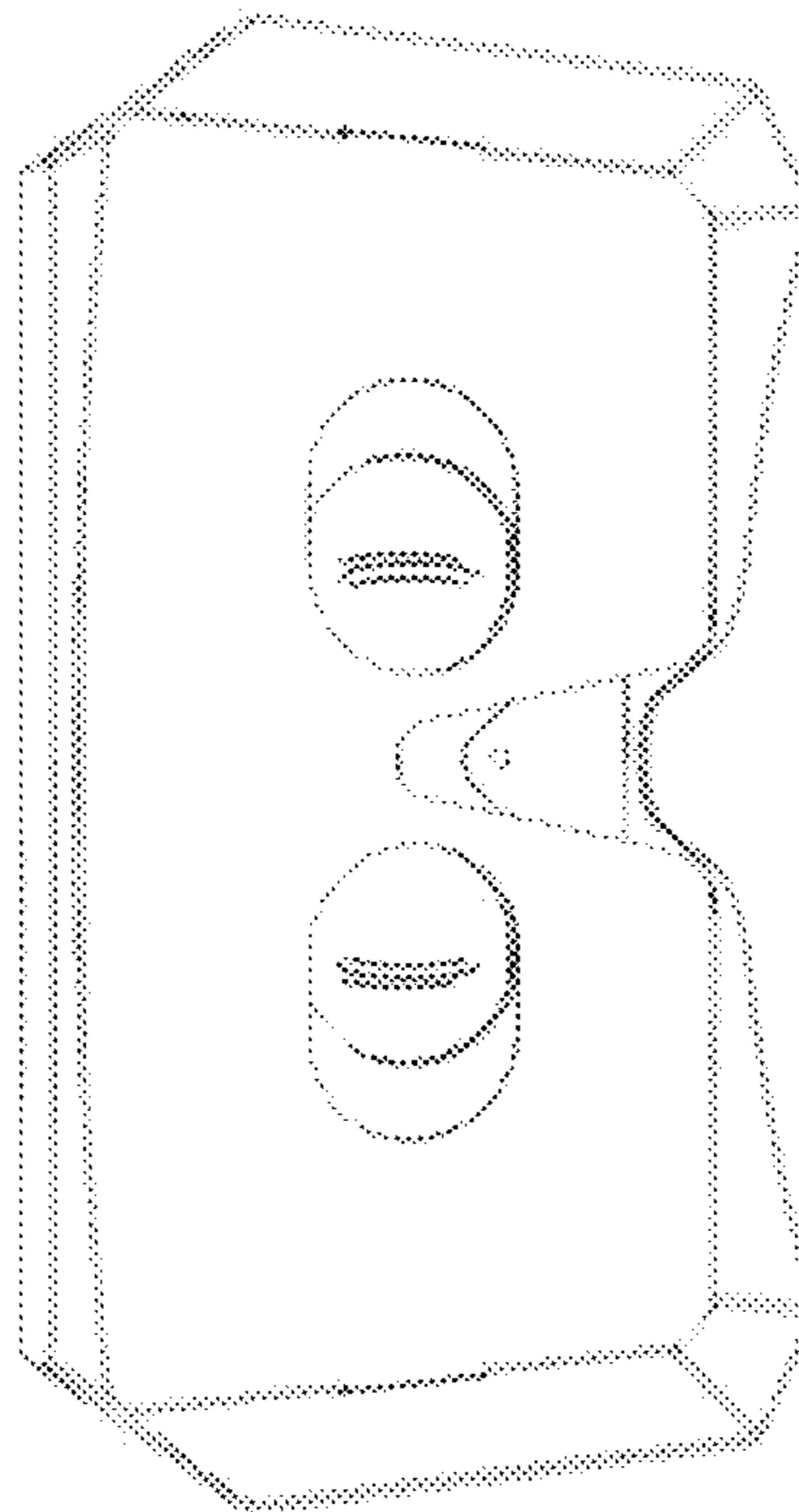


FIG. 8

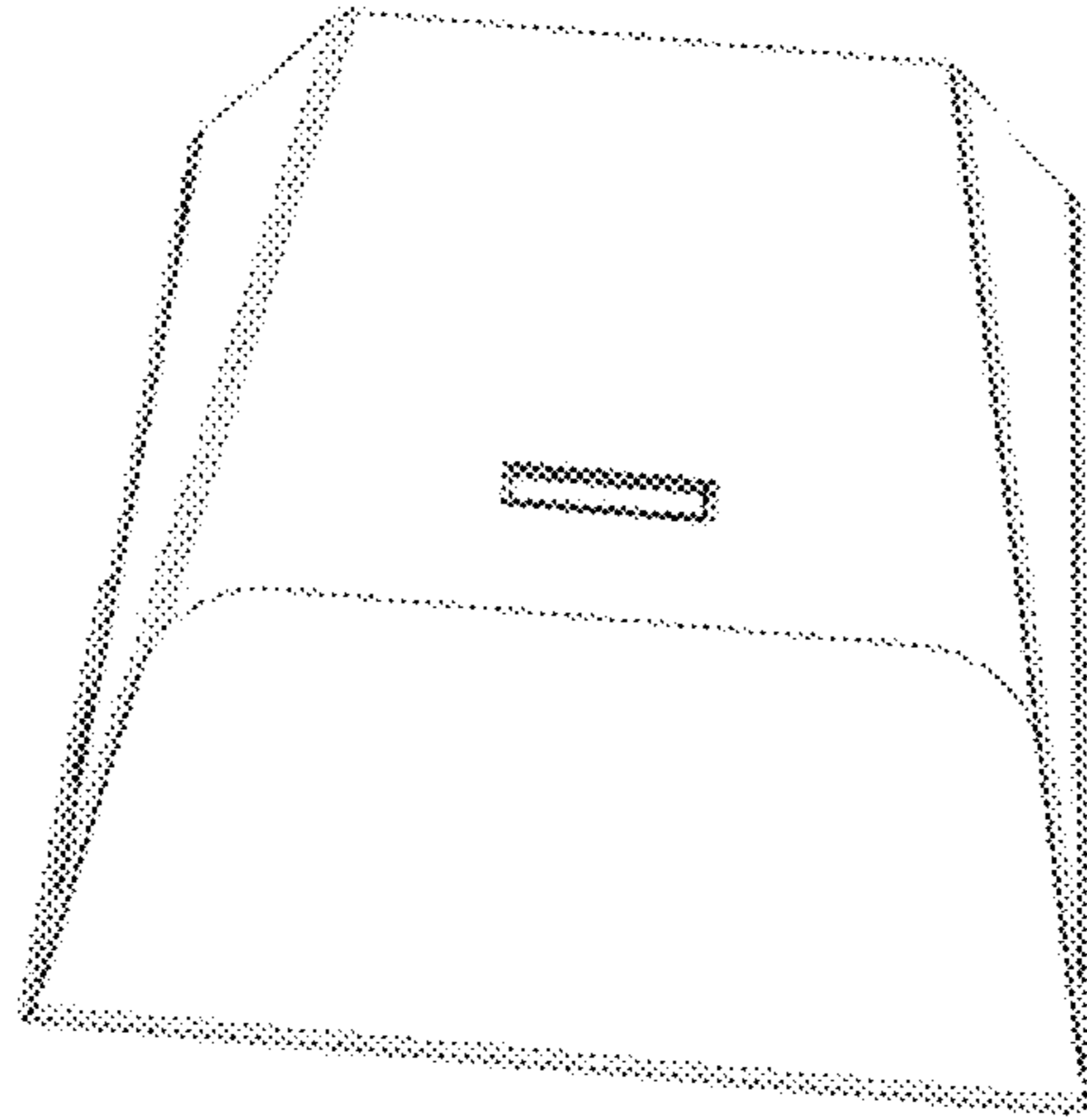


FIG. 10



FIG. 9

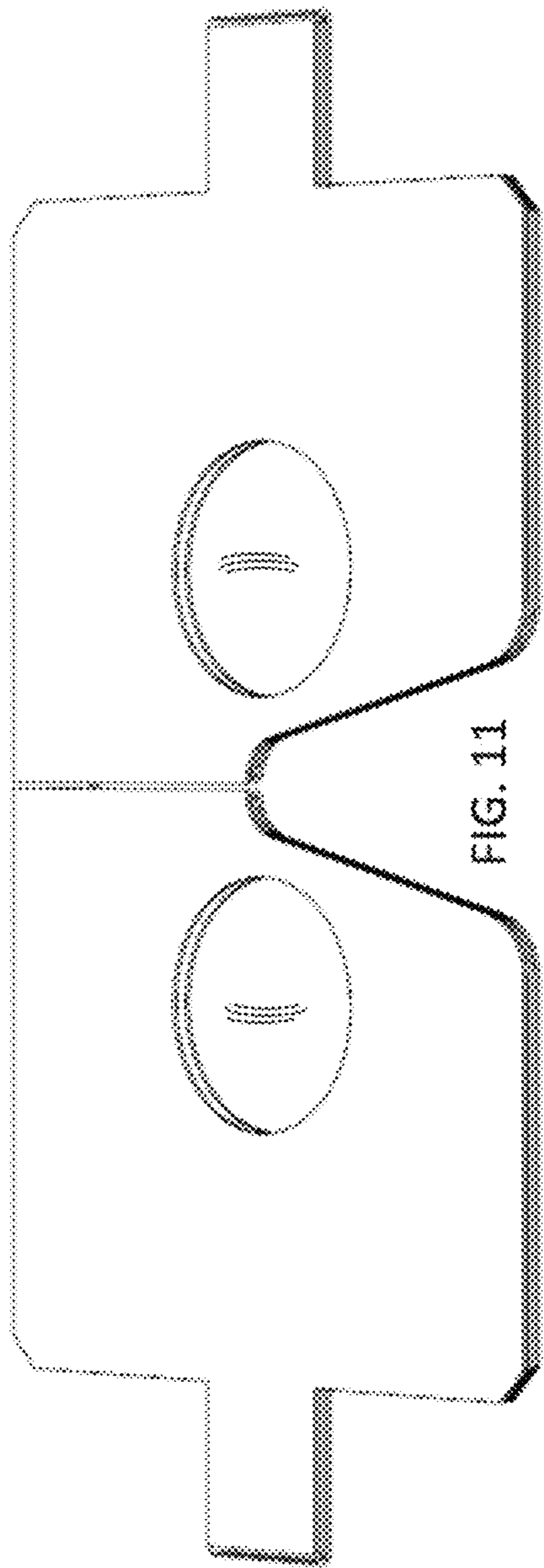


FIG. 11

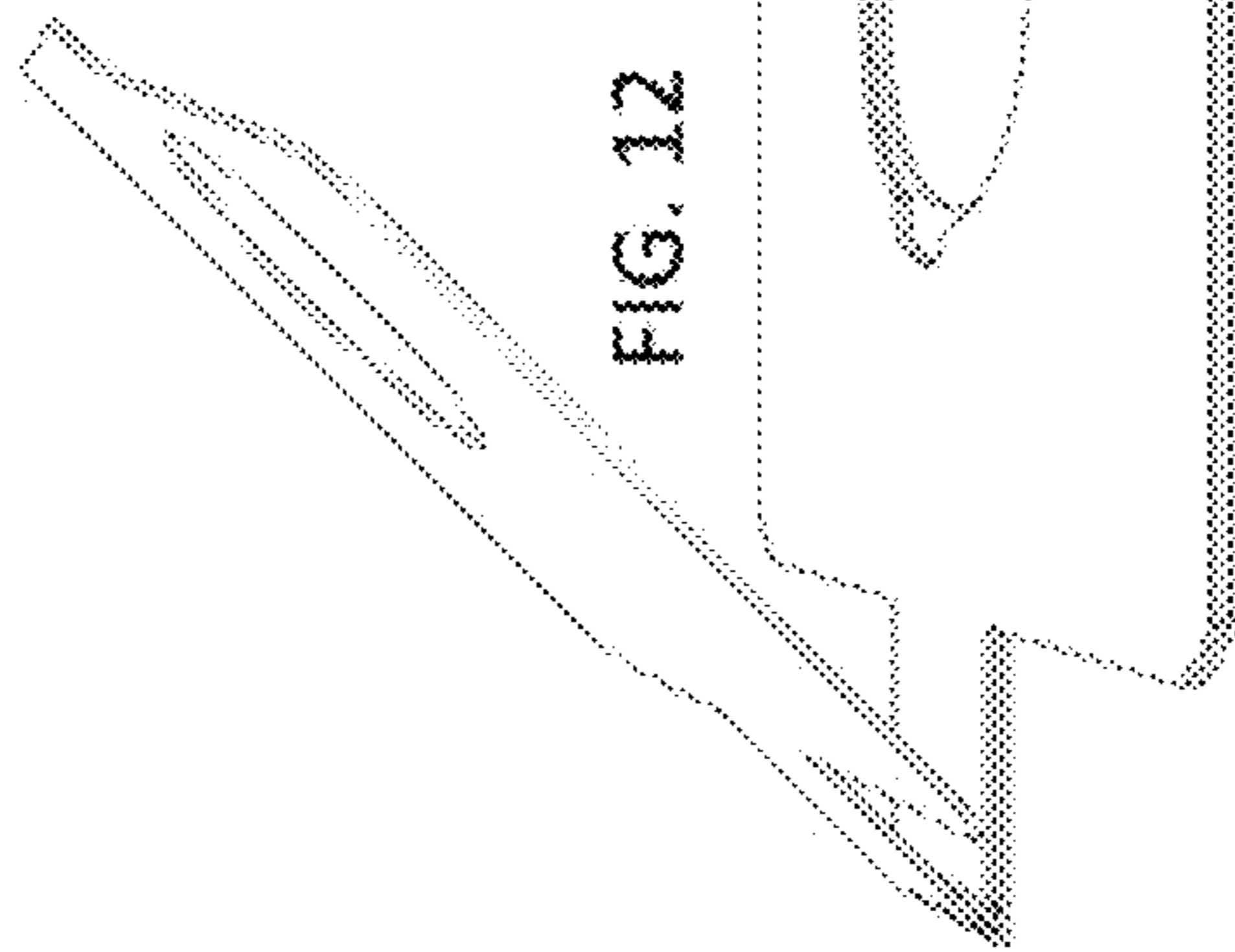


FIG. 12



FIG. 13



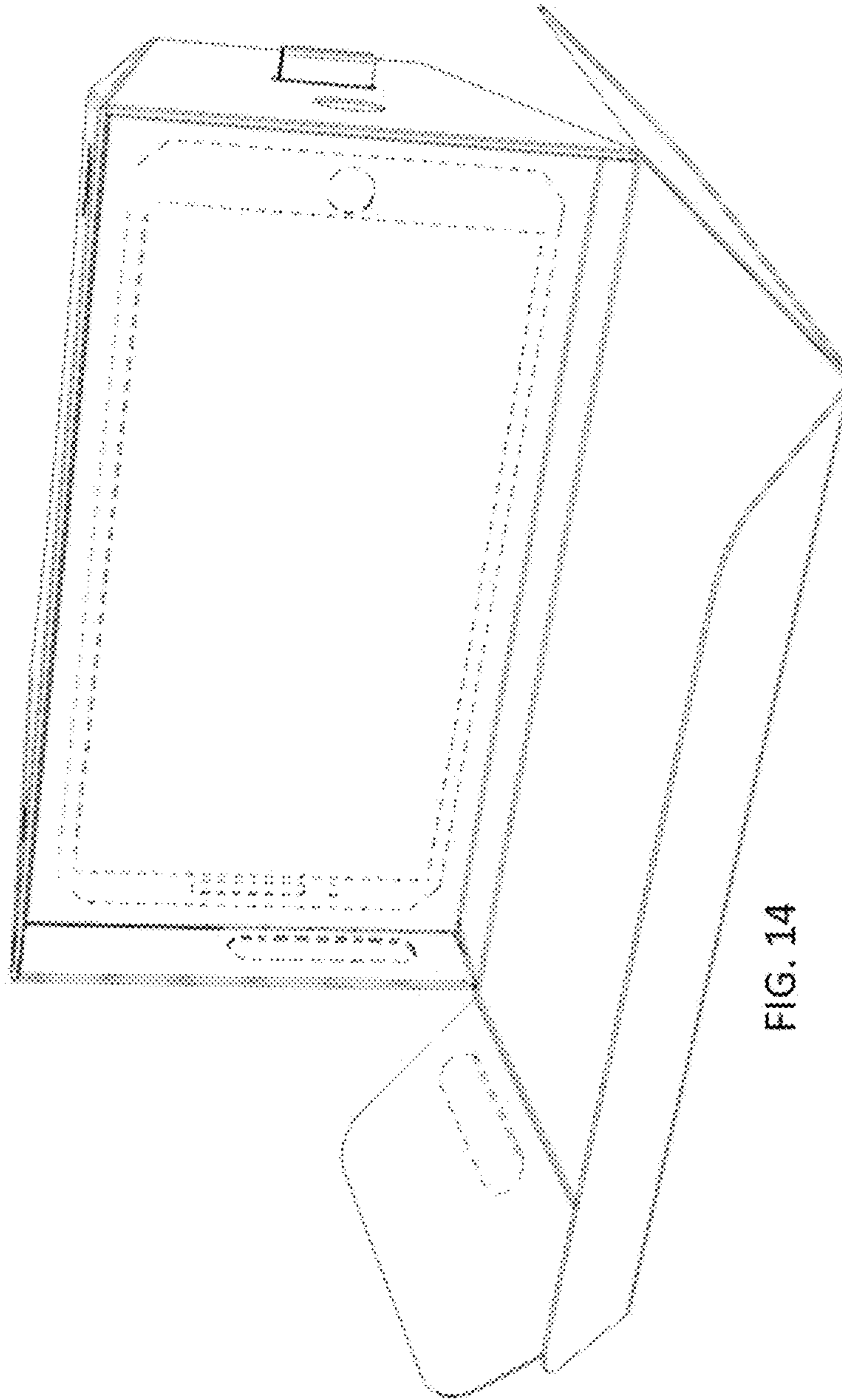


FIG. 14

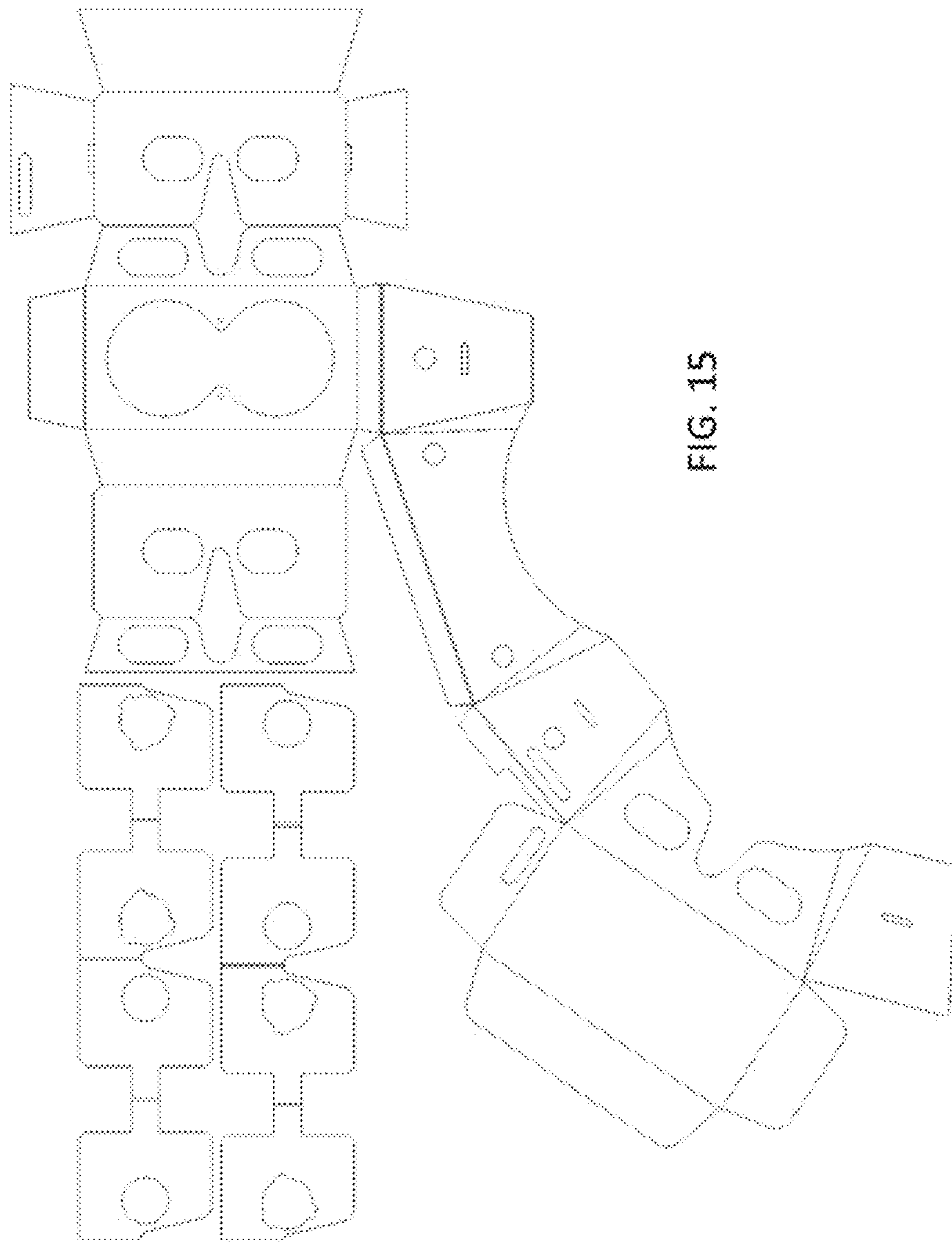


FIG. 15