



US00D800112S

(12) **United States Design Patent** (10) **Patent No.:** **US D800,112 S**
Park et al. (45) **Date of Patent:** **** *Oct. 17, 2017**

(54) **MOBILE TERMINAL**

(71) Applicant: **Samsung Electronics Co., Ltd.**,
Suwon-si (KR)

(72) Inventors: **Sang-Il Park**, Seoul (KR); **Sang-Min Hyun**, Seoul (KR); **Young-Joong Jun**, Seoul (KR); **In-Shik Kim**, Seongnam-si (KR)

(73) Assignee: **Samsung Electronics Co., Ltd.**,
Suwon-si (KR)

(*) Notice: This patent is subject to a terminal disclaimer.

(**) Term: **14 Years**

(21) Appl. No.: **29/500,182**

(22) Filed: **Aug. 22, 2014**

(30) **Foreign Application Priority Data**

Feb. 22, 2014 (KR) 30-2014-0009028

(51) **LOC (10) Cl.** **14-02**

(52) **U.S. Cl.**
USPC **D14/345**; D14/341; D14/138 AB

(58) **Field of Classification Search**
USPC D14/203.4, 341, 345, 346, 138 AD,
D14/138 R, 138 G, 138 AC, 138 C, 248,
(Continued)

(56) **References Cited**

U.S. PATENT DOCUMENTS

D523,078 S * 6/2006 Ong D19/26
D580,432 S * 11/2008 Yun D14/345
(Continued)

OTHER PUBLICATIONS

Youm Flexible OLED Display Commercial: Samsung CES 2013, Jan. 9, 2013, [online], [site visited Jan. 31, 2017]. Retrieved from <url:https://www.youtube.com/watch?v=6OYTy13ipgk>.*

Primary Examiner — Jeffrey D Asch
Assistant Examiner — Tracey J Bell
(74) *Attorney, Agent, or Firm* — NSIP Law

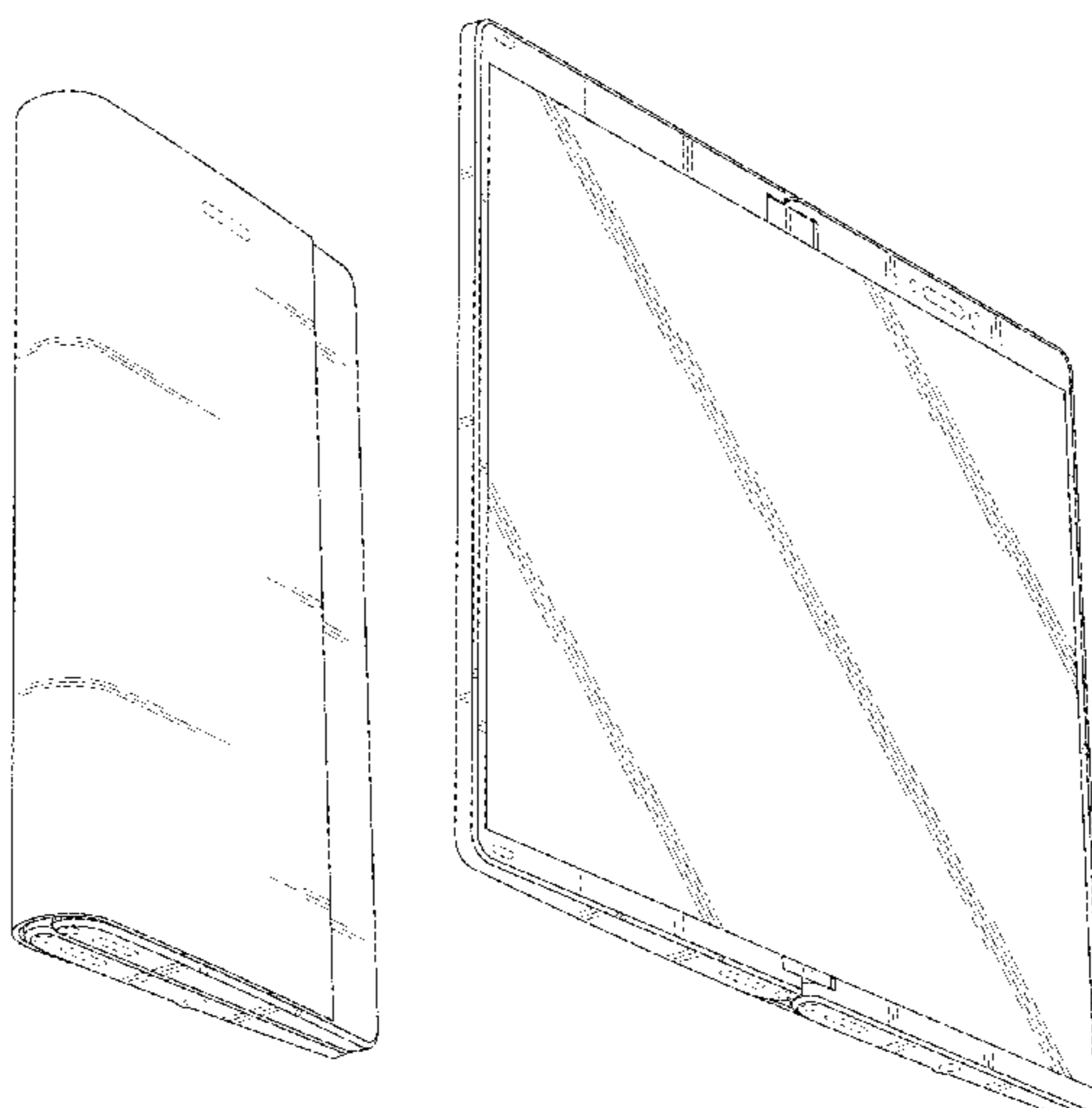
(57) **CLAIM**

We claim the ornamental design for a mobile terminal, as shown and described.

DESCRIPTION

FIG. 1 is a front perspective view of a mobile terminal showing our new design;
FIG. 2 is a front view thereof;
FIG. 3 is a rear view thereof;
FIG. 4 is a left-side view thereof;
FIG. 5 is a right-side view thereof;
FIG. 6 is a top plan view thereof;
FIG. 7 is a bottom plan view thereof;
FIG. 8 is another front perspective view, in which the mobile terminal is provided in a partially open position;
FIG. 9 is a front view thereof;
FIG. 10 is a rear view thereof;
FIG. 11 is a left-side view thereof;
FIG. 12 is a right-side view thereof;
FIG. 13 is a top view thereof;
FIG. 14 is a bottom view thereof;
FIG. 15 is another front perspective view, in which the mobile terminal is provided in an open position;
FIG. 16 is a front view thereof;
FIG. 17 is a rear view thereof;
FIG. 18 is a left-side view thereof;
FIG. 19 is a right-side view thereof;
FIG. 20 is a top view thereof;
FIG. 21 is a bottom plan view thereof; and,
FIG. 22 is a rear perspective view thereof.
The broken lines in the figures show portions of the mobile terminal which form no part of the claimed design.

1 Claim, 17 Drawing Sheets



US D800,112 S

Page 2

(58) **Field of Classification Search**

USPC D14/203.7, 496, 315-318, 330, 342, 250,
D14/138 AB; 361/676.27; D19/26
CPC G06F 1/1626; G06F 1/1652; H04M 1/027;
H04M 1/0202; H04M 1/0279; H04M
1/0235; H04M 1/0237; H04M 1/0239;
H04M 1/0266; H04M 1/0268; H04M
1/0295; B42D 3/00

See application file for complete search history.

(56)

References Cited

U.S. PATENT DOCUMENTS

D681,000 S * 4/2013 Koh D14/203.4
8,630,408 B2 * 1/2014 Harata G06F 1/1628
379/433.13
D708,180 S * 7/2014 Lee D14/345
D708,609 S * 7/2014 Lee D14/345
D716,751 S * 11/2014 Lee D14/138 AB
D719,540 S * 12/2014 Lee D14/138 AB

D719,541 S * 12/2014 Lee D14/138 AB
D746,285 S * 12/2015 Okabe D14/345
D749,571 S * 2/2016 Park D14/203.4
D749,573 S * 2/2016 Park D14/203.4
D749,574 S * 2/2016 Park D14/203.4
D749,575 S * 2/2016 Park D14/203.4
D749,576 S * 2/2016 Park D14/203.4
D754,657 S * 4/2016 Kim D14/345
D757,717 S * 5/2016 Park D14/341
9,424,790 B2 * 8/2016 Cho G06F 1/3265
9,442,530 B2 * 9/2016 Maatta G06F 1/1656
D770,445 S * 11/2016 Hong D14/341
D774,496 S * 12/2016 Kim D14/250
D775,598 S * 1/2017 Kim D14/138 AB
D778,253 S * 2/2017 Kwak D14/138 AB
D778,866 S * 2/2017 Lee D14/138 AB
D781,854 S * 3/2017 Park D14/203.4
D783,608 S * 4/2017 Park D14/203.4
D786,210 S * 5/2017 Lee D14/138 AB
2013/0307816 A1 * 11/2013 Lee G06F 1/1652
345/174

* cited by examiner

FIG. 1

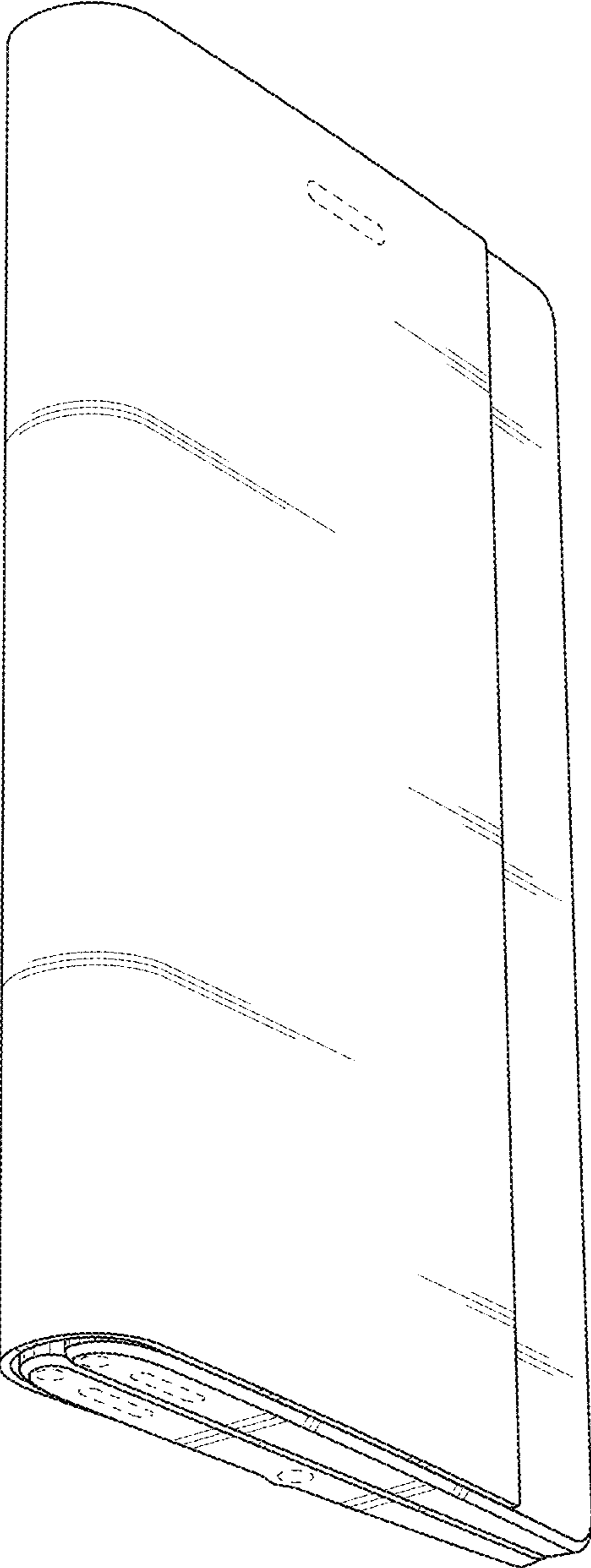


FIG. 2

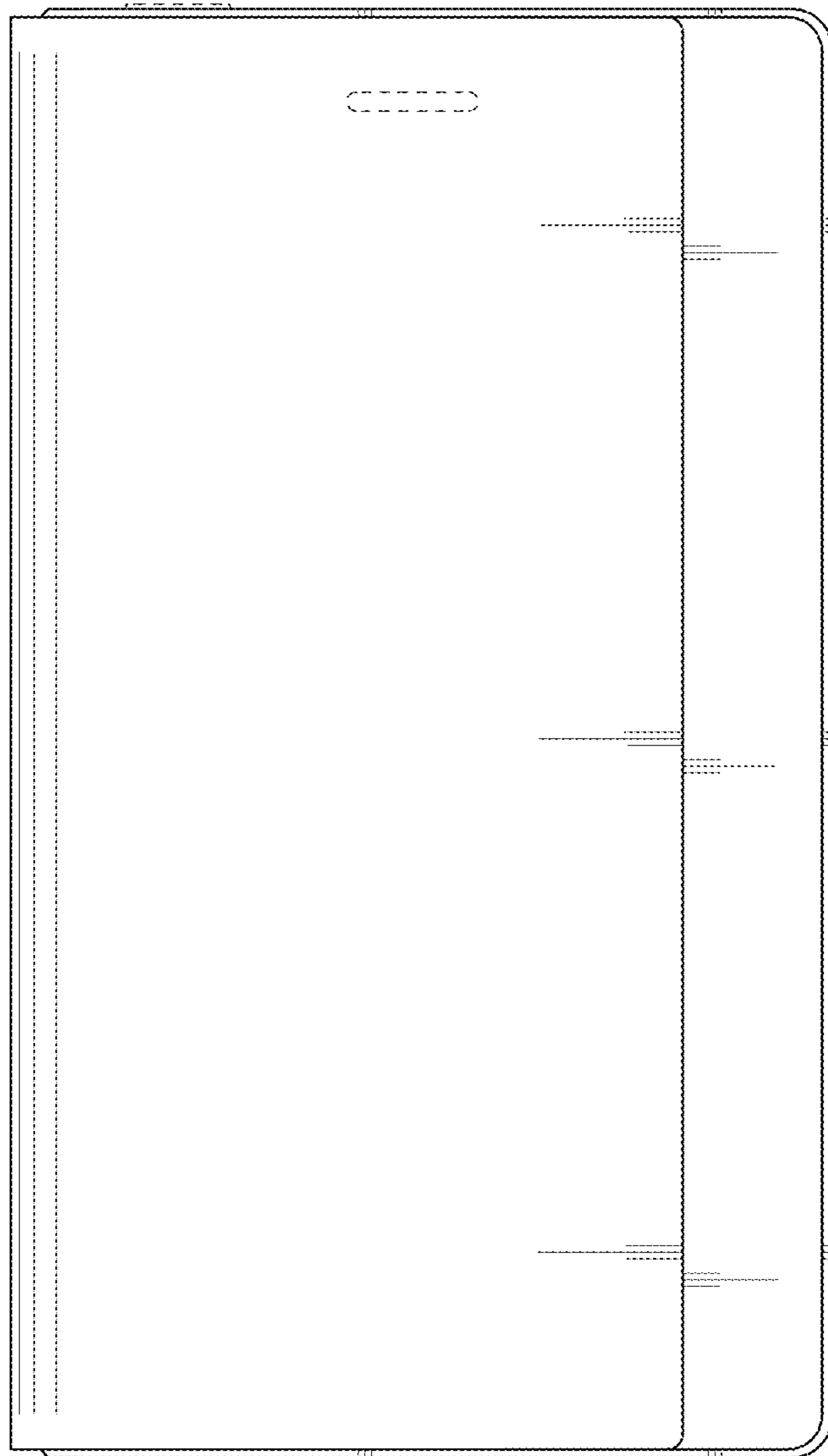


FIG. 3

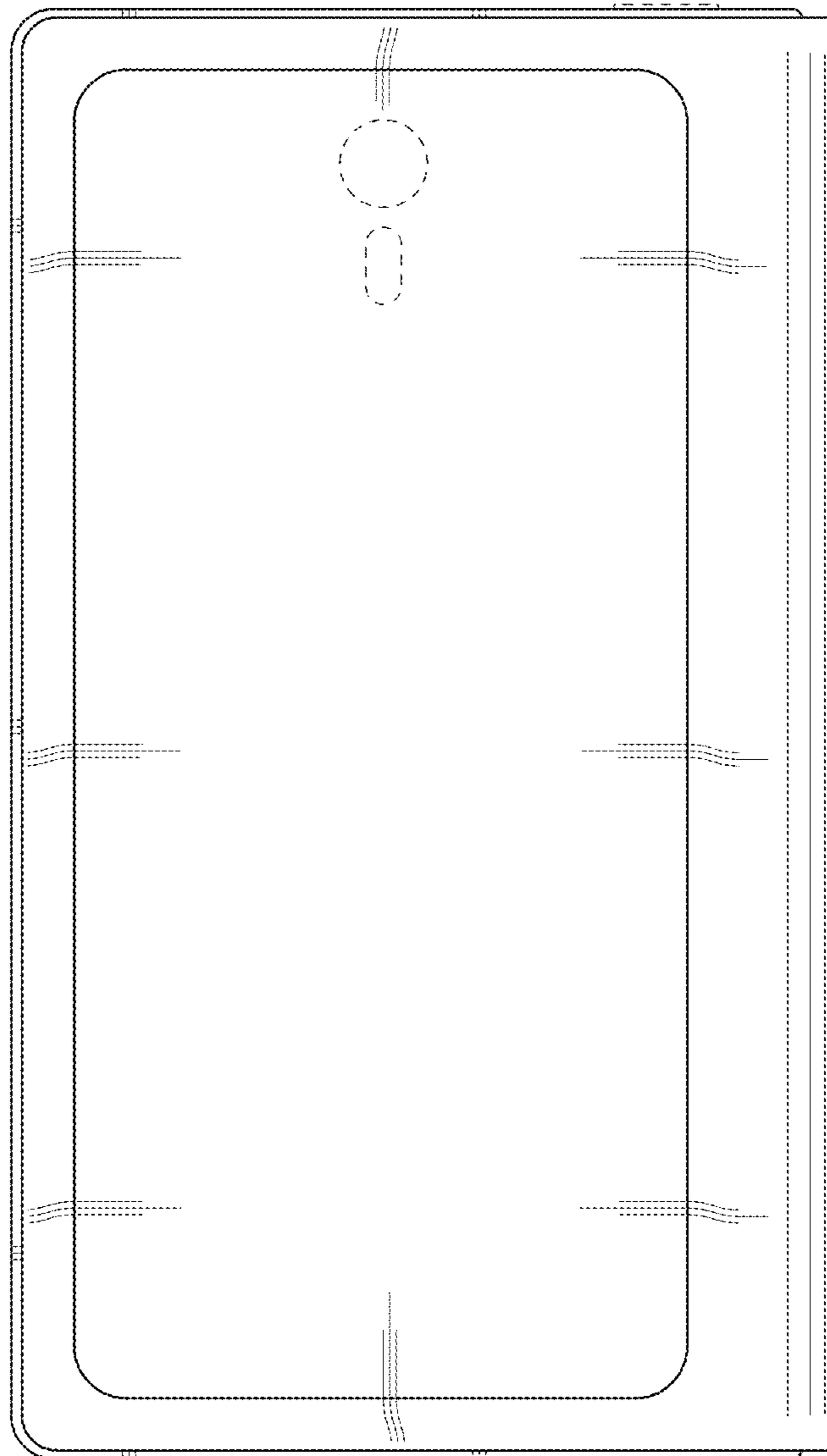


FIG. 4

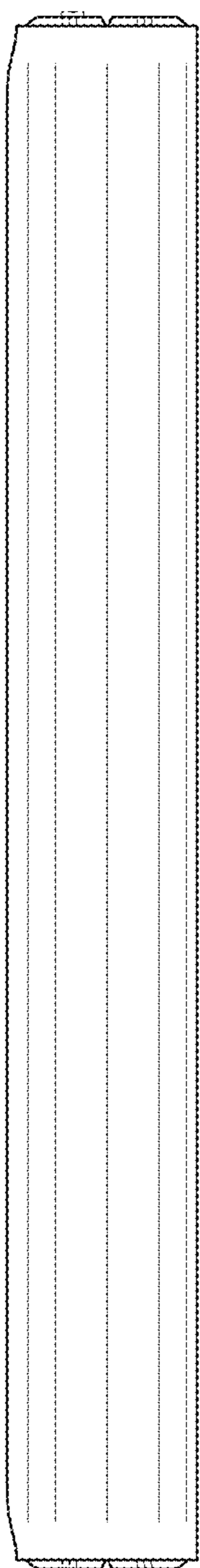


FIG. 5

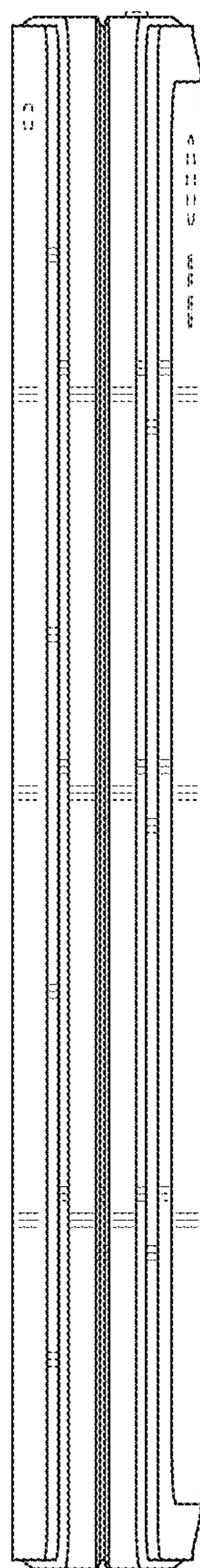


FIG. 6

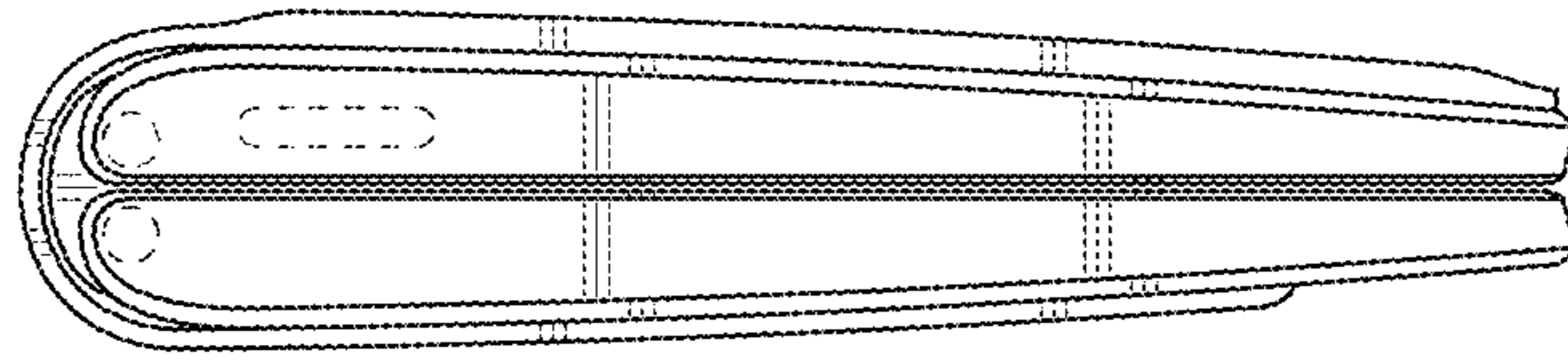


FIG. 7

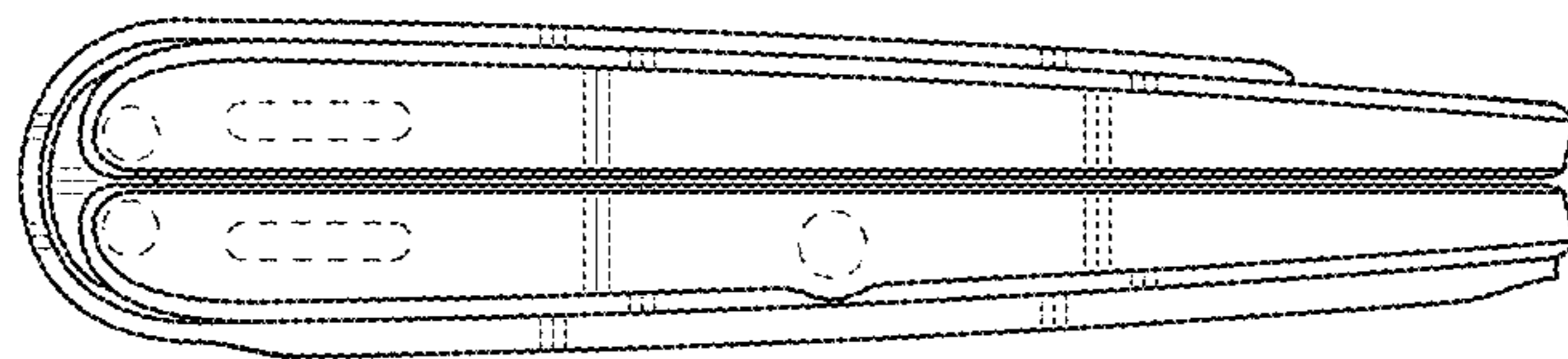


FIG. 8

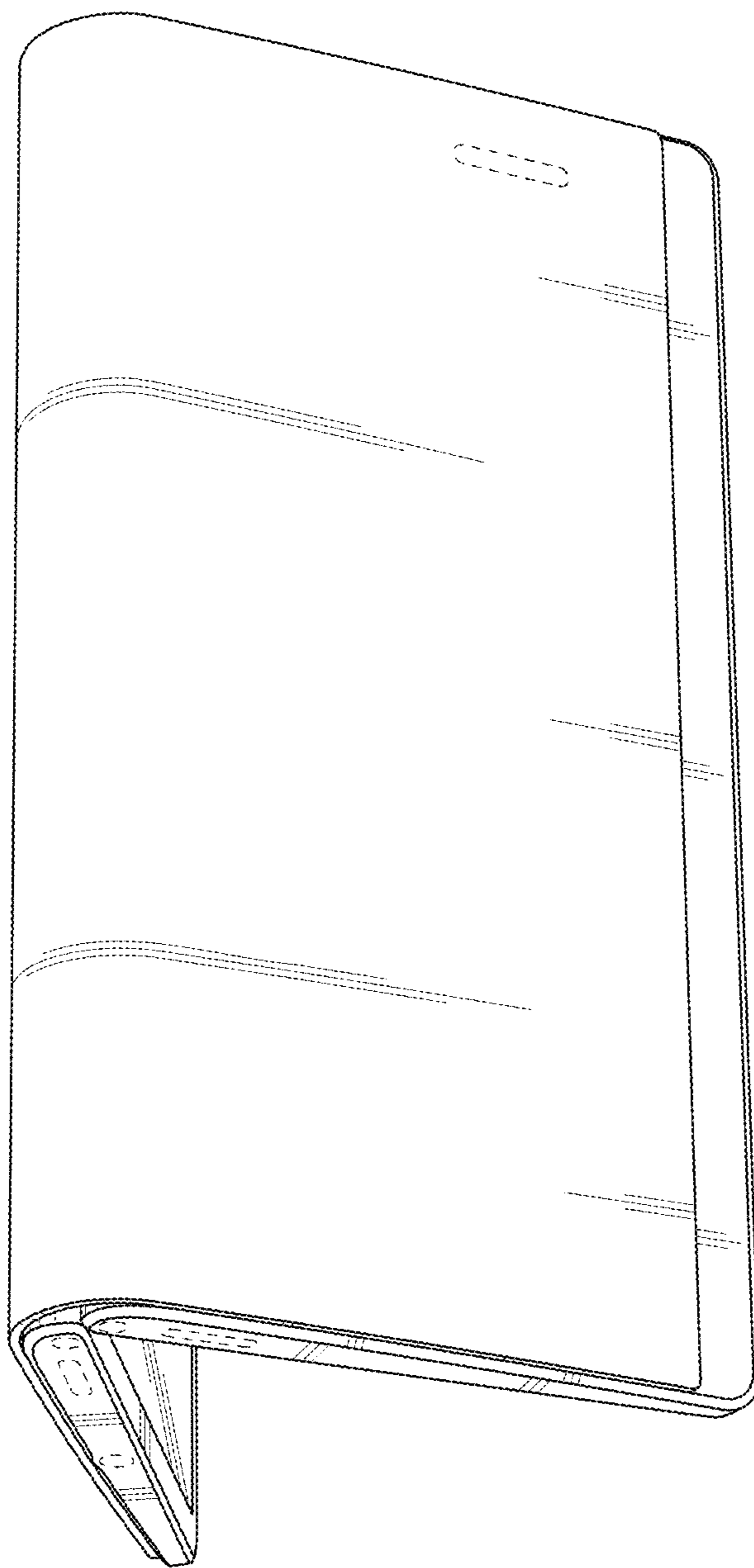


FIG. 9

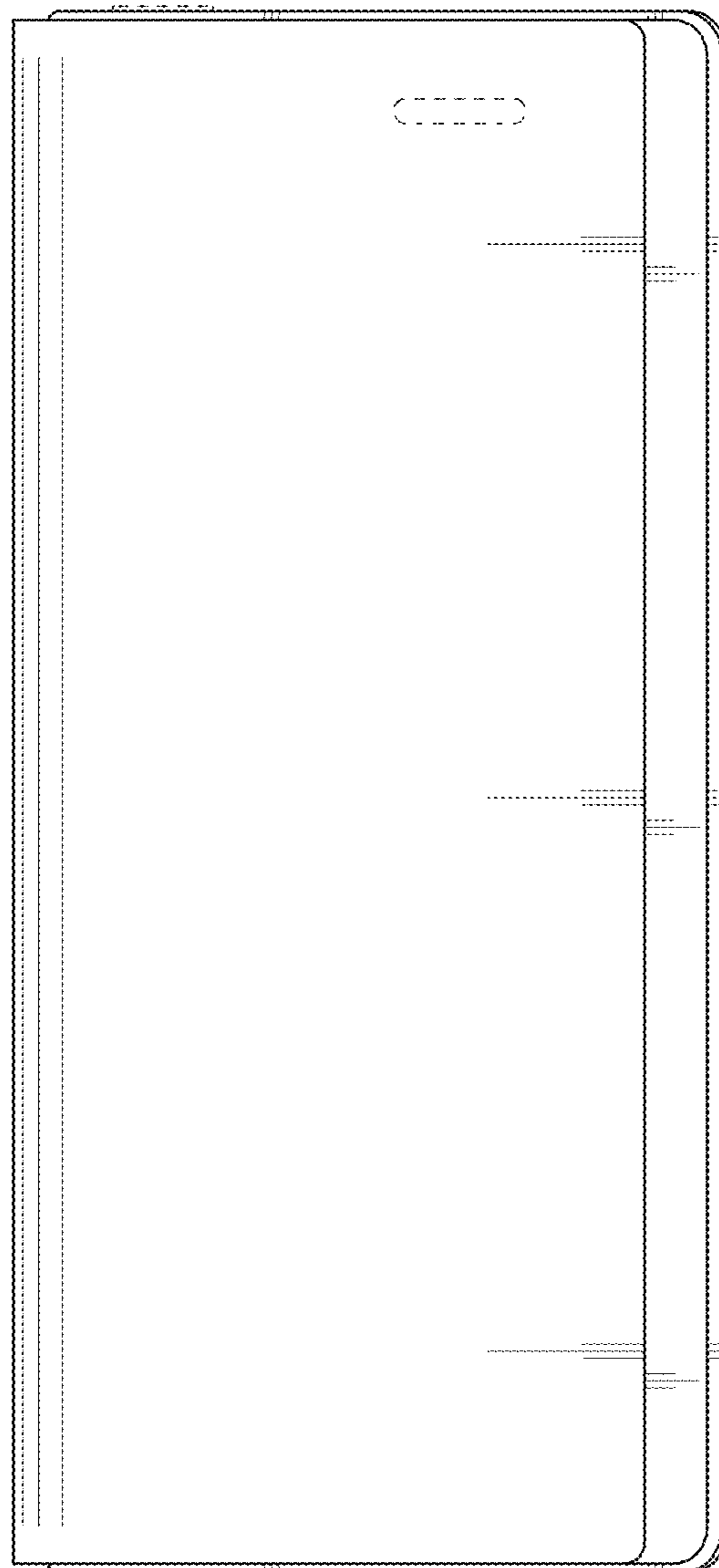


FIG. 10

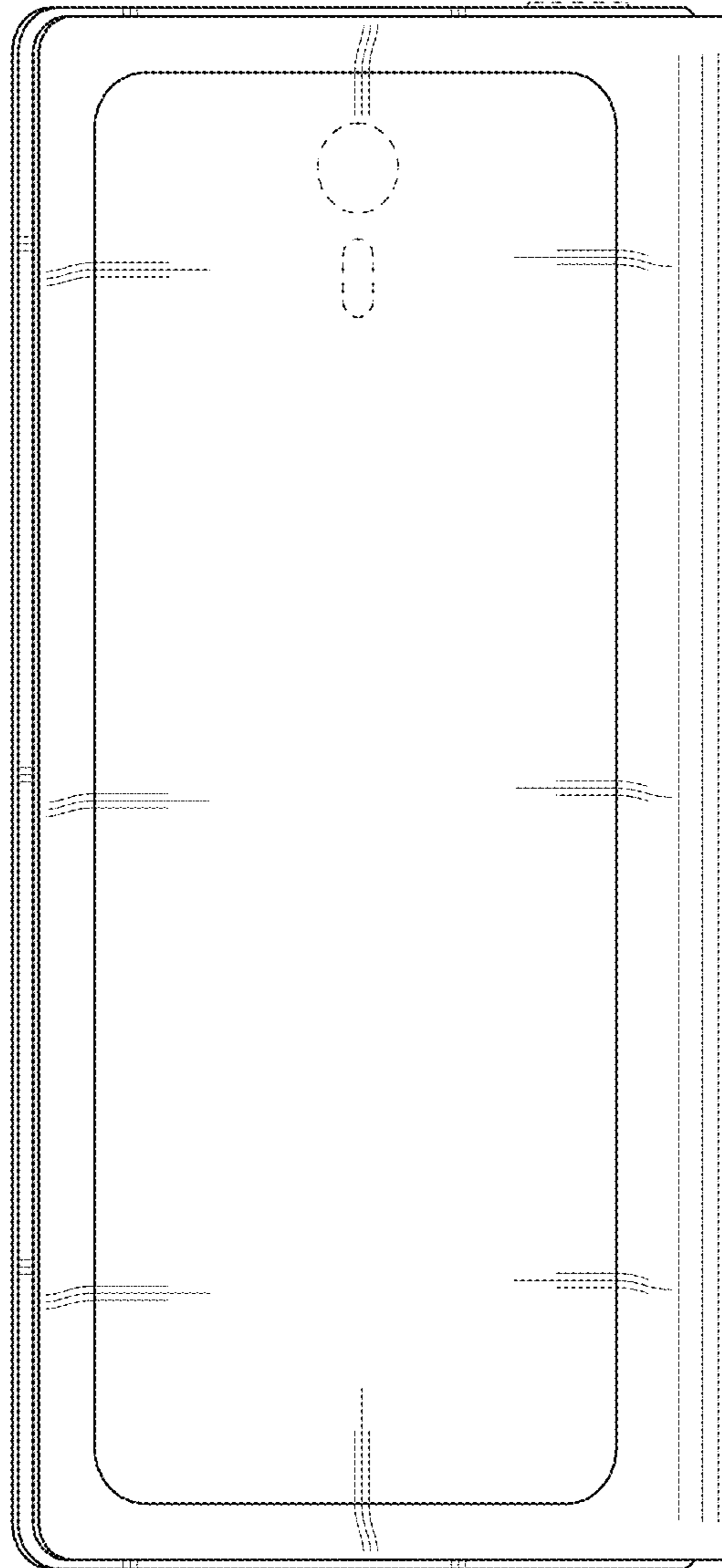


FIG. 11

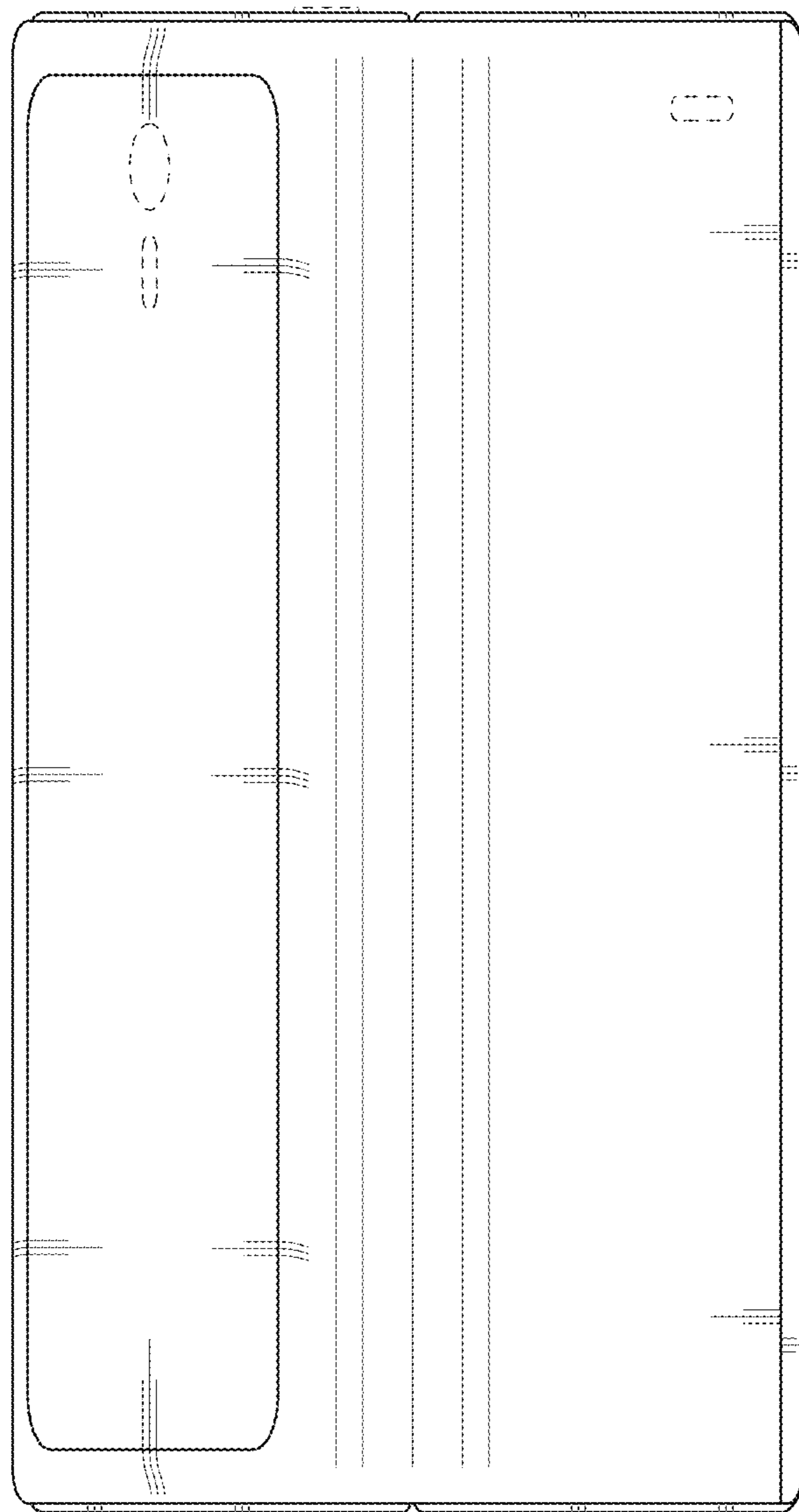


FIG. 12

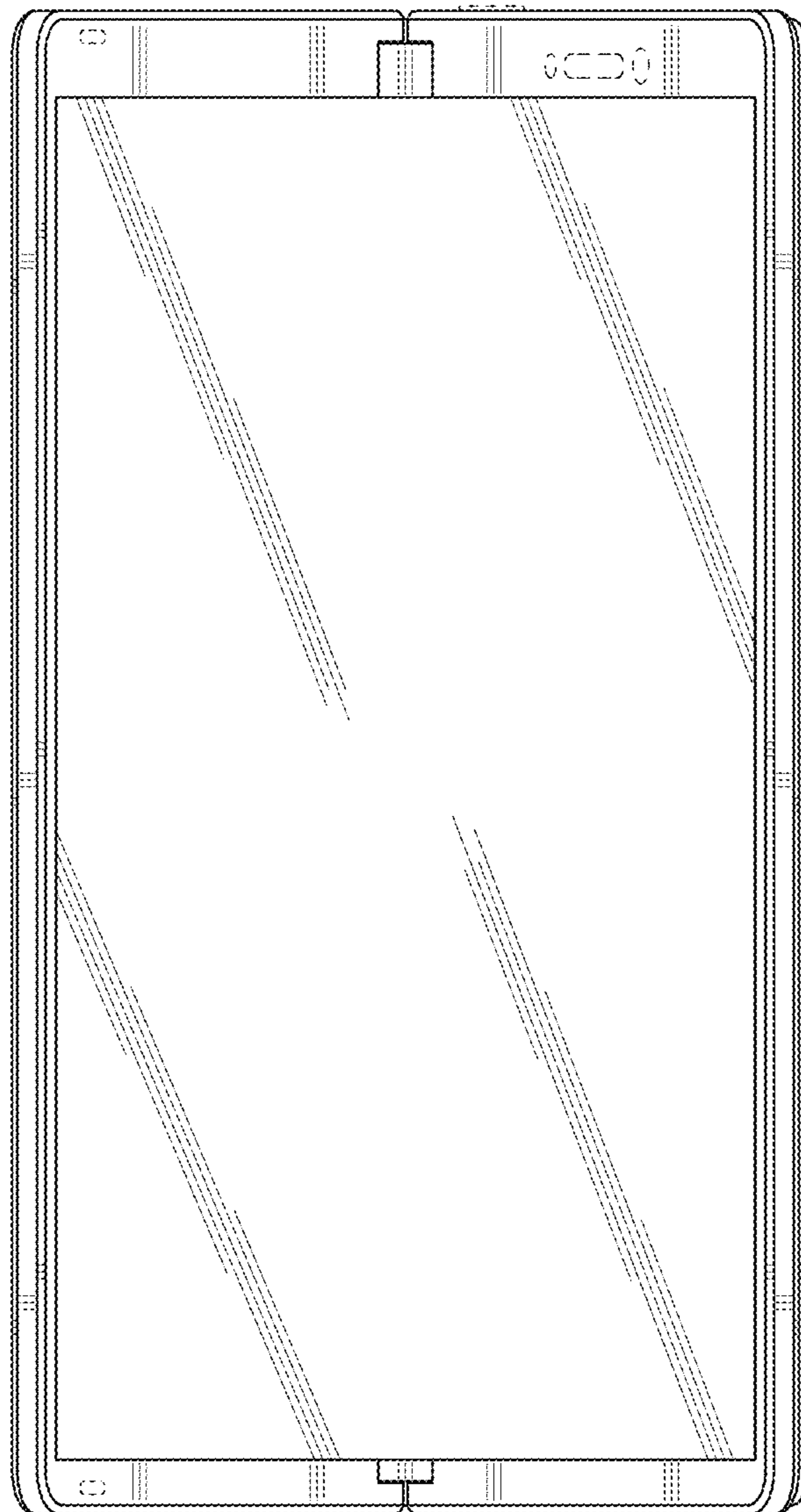


FIG. 13

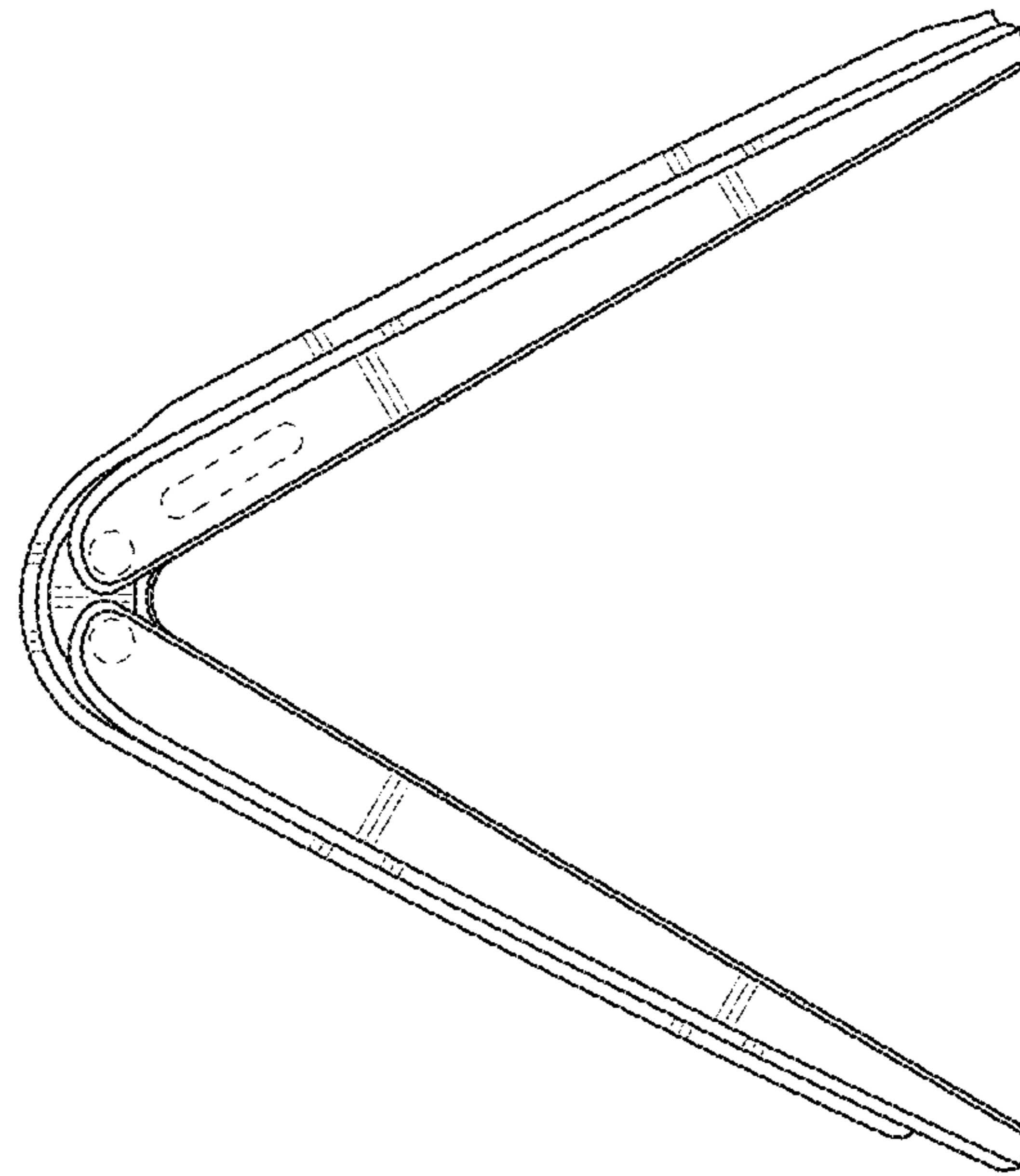


FIG. 14

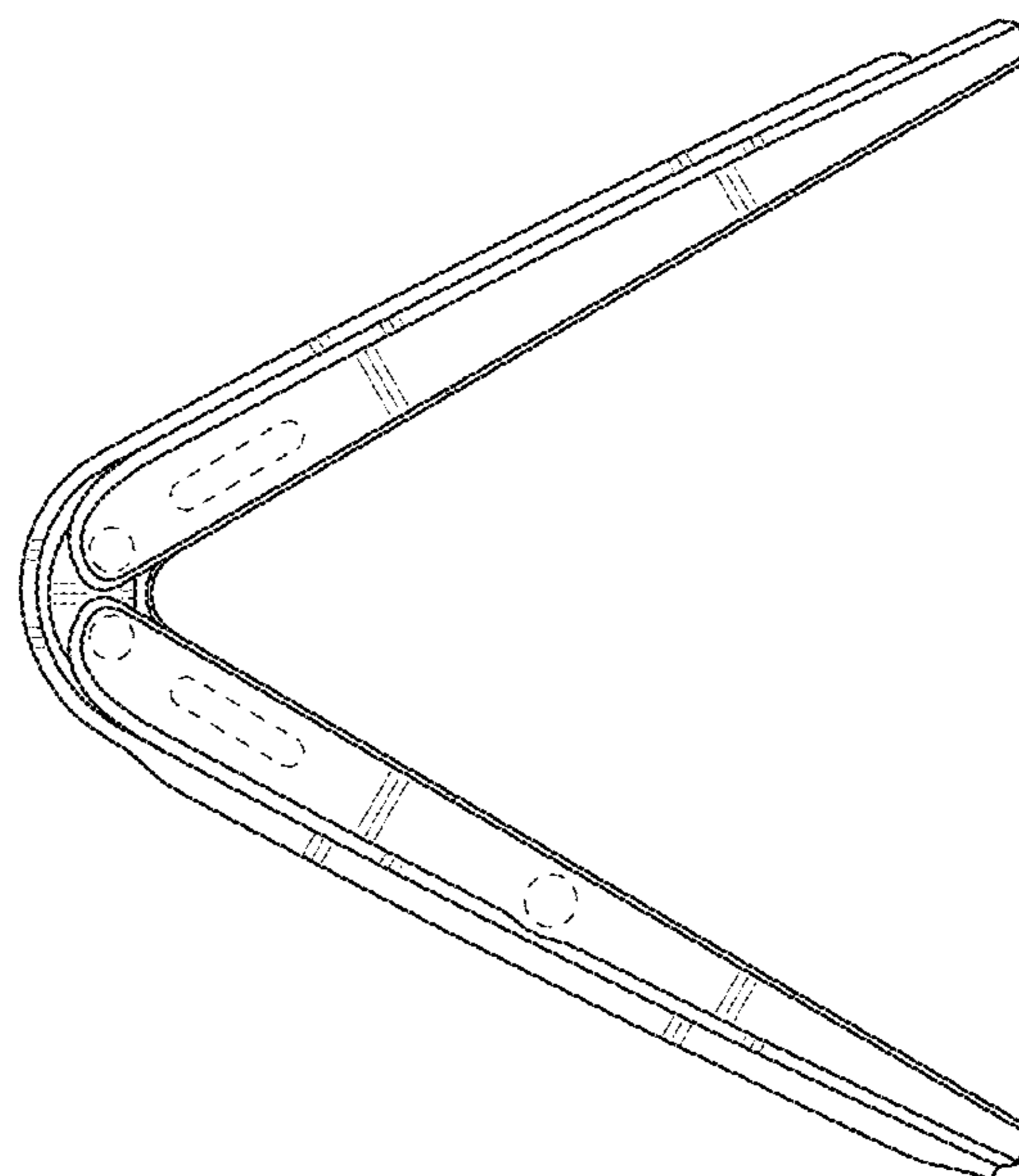


FIG. 15

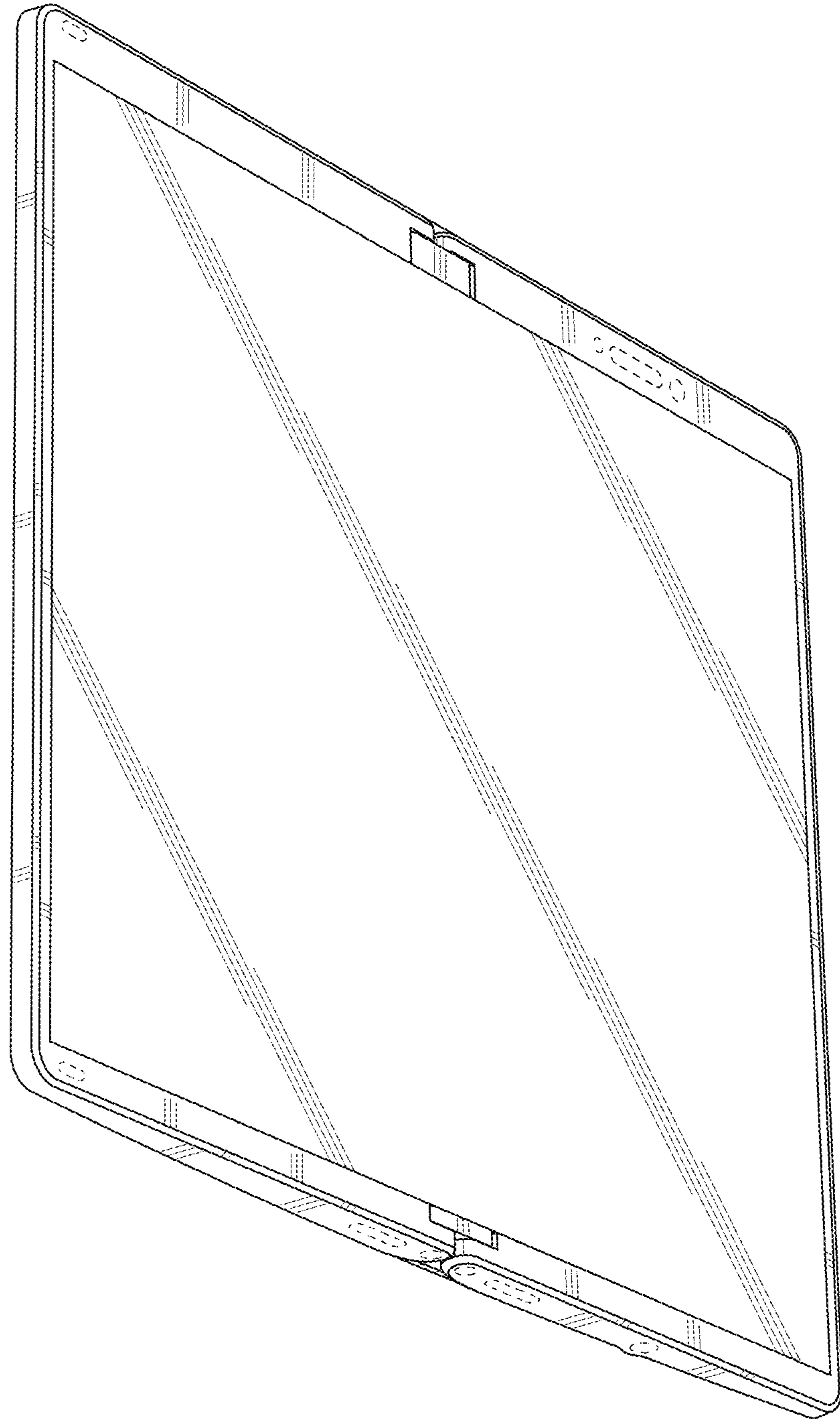


FIG. 16

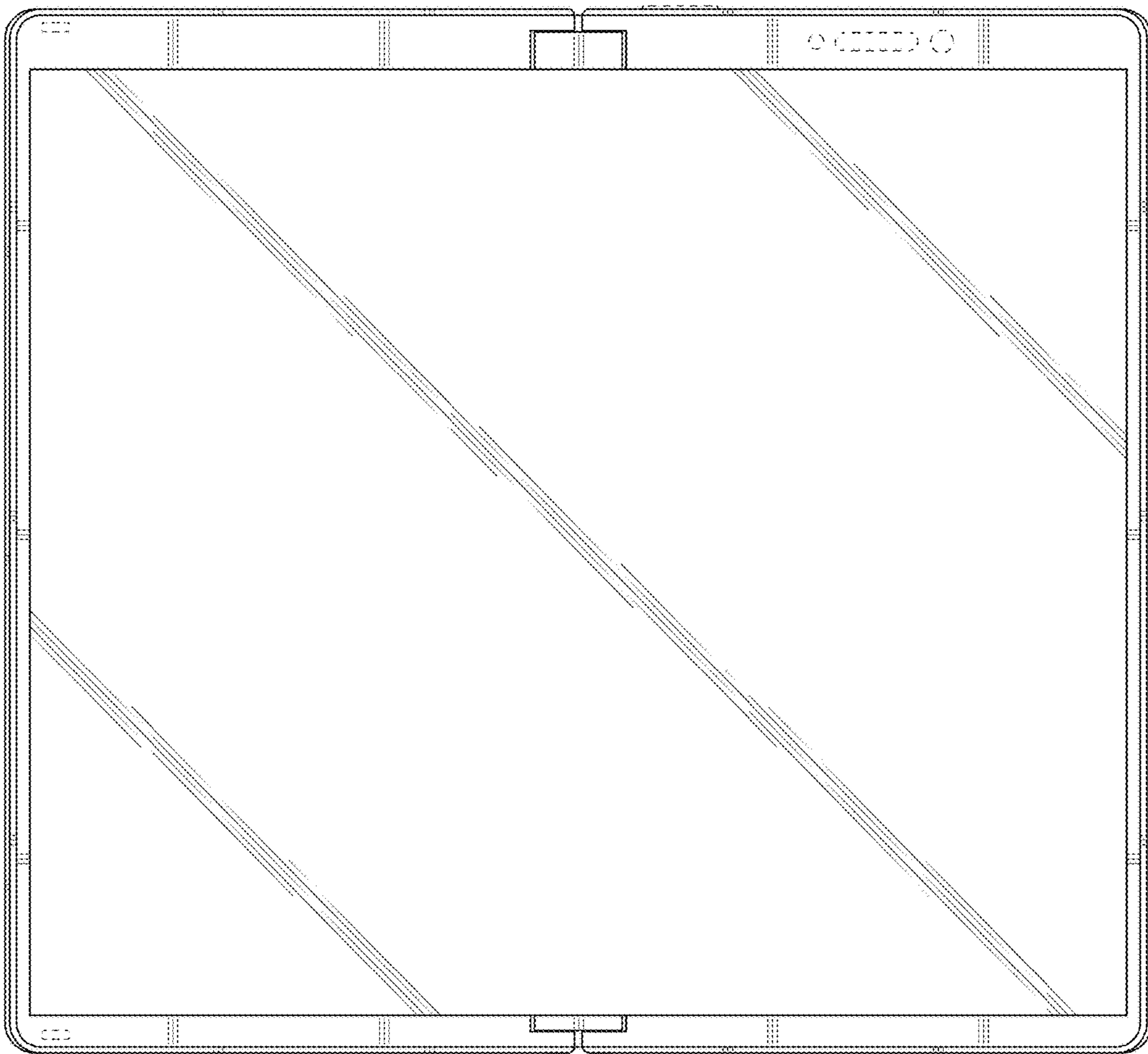


FIG. 17

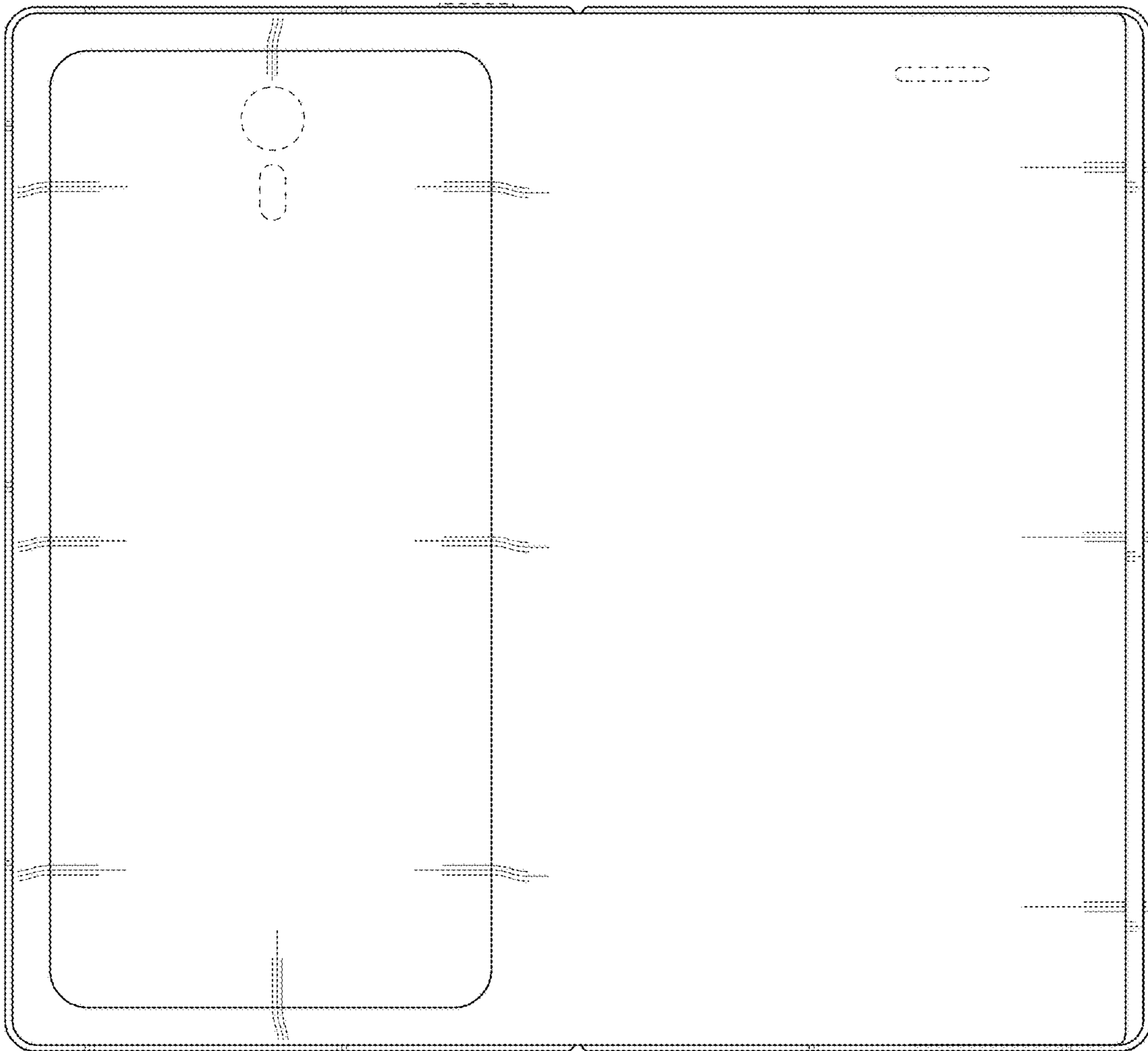


FIG. 18

FIG. 19

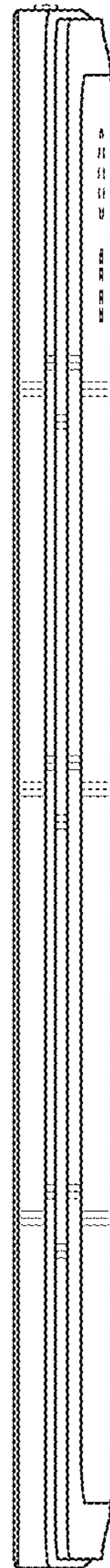
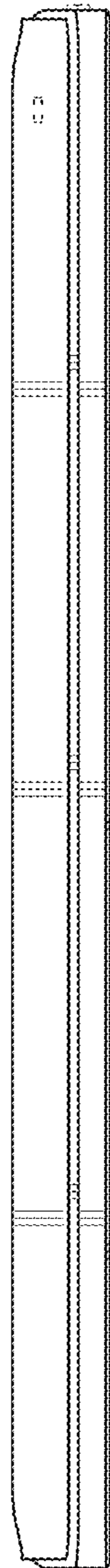


FIG. 20



FIG. 21



FIG. 22

