



US00D800110S

(12) **United States Design Patent** (10) **Patent No.:** **US D800,110 S**  
**Kim et al.** (45) **Date of Patent:** **\*\* Oct. 17, 2017**

(54) **WEARABLE DEVICE**

(71) Applicant: **Samsung Electronics Co., Ltd.**,  
Suwon-si, Gyeonggi-do (KR)

(72) Inventors: **Myung-Kyu Kim**, Seoul (KR);  
**Yong-Seok Bang**, Yongin-si (KR)

(73) Assignee: **SAMSUNG ELECTRONICS CO., LTD.**,  
Gyeonggi-Do (KR)

(\*\*) Term: **15 Years**

(21) Appl. No.: **29/558,115**

(22) Filed: **Mar. 15, 2016**

(30) **Foreign Application Priority Data**

Nov. 27, 2015 (KR) ..... 30-2015-0060248

(51) **LOC (10) Cl.** ..... **14-02**

(52) **U.S. Cl.**  
USPC ..... **D14/344**

(58) **Field of Classification Search**  
USPC ..... D2/623, 626, 639, 878; D8/88, 356;  
D10/30-39, 70, 98; D11/3, 87, 93-94,  
D11/200, 201, 210, 216, 218, 221,  
D11/230-231; D14/344, 138 R, 144,  
D14/358; D24/167, 169, 186-187  
CPC ..... G06F 1/163; G06F 1/1628; G06F 1/1626;  
G06F 1/1635; G06F 1/08; G06F 1/10;  
G06F 1/04; G06F 1/14; G06F 1/3203;  
A41D 1/002; H04M 1/02; H04M 1/03;  
H04M 1/04; H04M 1/05; H04M 1/667;  
Y02B 60/1217; H04B 1/385; H04B  
1/3888; G06Q 20/10; G06Q 20/108;  
G06Q 20/12; G06Q 20/145

See application file for complete search history.

(56) **References Cited**

**U.S. PATENT DOCUMENTS**

D412,446 S \* 8/1999 Tse ..... D10/32  
D459,352 S \* 6/2002 Giovanniello ..... D14/344

D510,037 S \* 9/2005 Modolo ..... D10/32  
D542,156 S \* 5/2007 Lafever ..... D10/32  
D577,713 S \* 9/2008 Kim ..... D14/218  
D602,915 S \* 10/2009 Song ..... D14/218  
D645,360 S \* 9/2011 Kiser ..... D10/32  
D646,191 S \* 10/2011 Murphy ..... D11/2  
D648,298 S \* 11/2011 Pierce ..... D14/138 G

(Continued)

**FOREIGN PATENT DOCUMENTS**

KR 300796107 S 5/2015

**OTHER PUBLICATIONS**

Unboxing, Samsung Charm, posted May 12, 2016, [retrieved Mar. 18, 2017]. Retrieved from Internet, <URL: <http://underkg.co.kr/unboxing/1334189>>.\*

(Continued)

*Primary Examiner* — Barbara Fox

*Assistant Examiner* — Kristin E Reed

(74) *Attorney, Agent, or Firm* — Cantor Colburn LLP

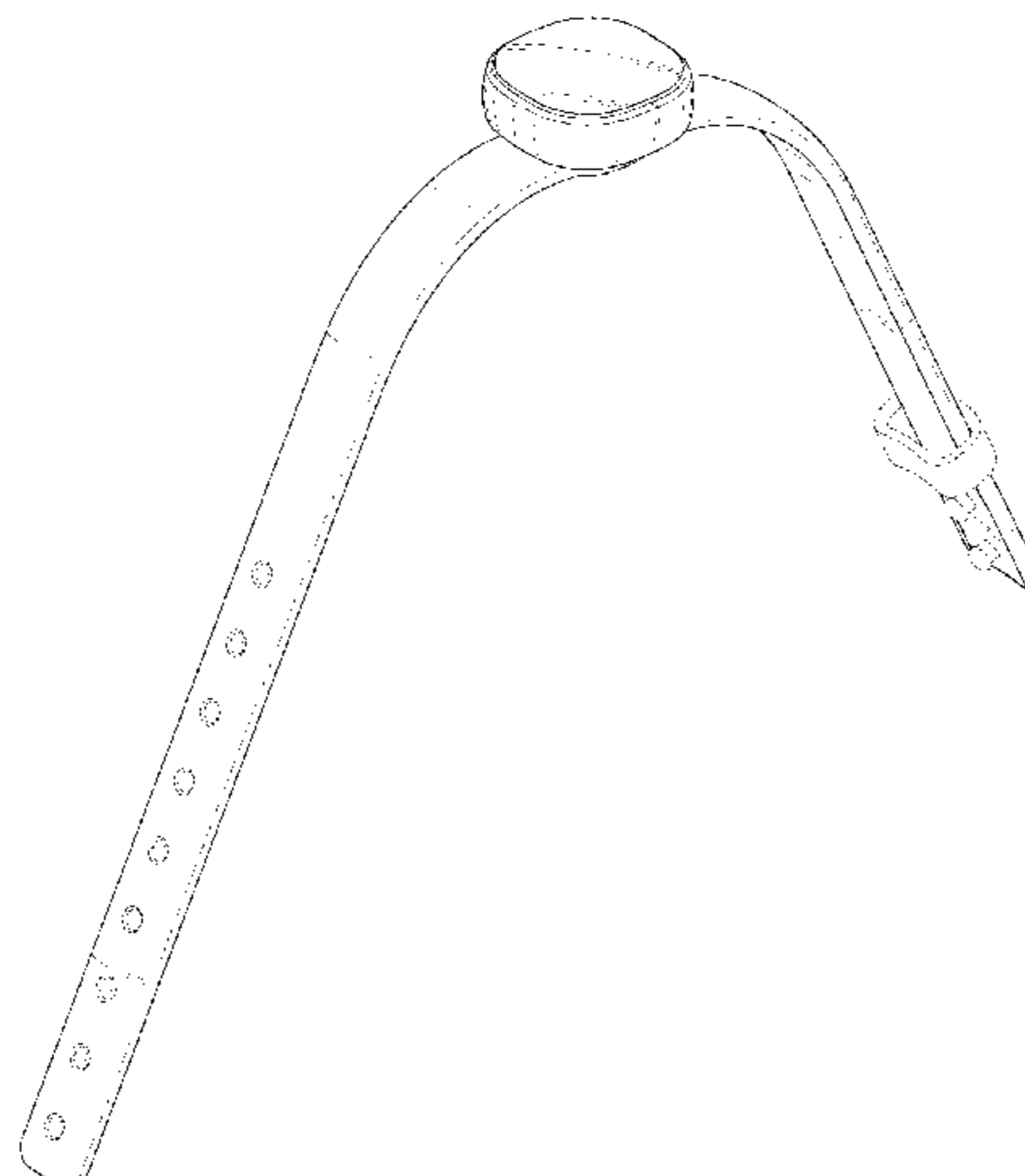
(57) **CLAIM**

The ornamental design for a wearable device, as shown and described.

**DESCRIPTION**

FIG. 1 is a perspective view of a wearable device, showing our new design;  
FIG. 2 is a front view thereof;  
FIG. 3 is a rear view thereof;  
FIG. 4 is a left side view thereof;  
FIG. 5 is a right side view thereof;  
FIG. 6 is a top plan view thereof; and,  
FIG. 7 is a bottom plan view thereof.  
The broken lines shown in the drawings illustrate portions of the wearable device that form no part of the claimed design.

**1 Claim, 7 Drawing Sheets**



(56)

**References Cited**

## U.S. PATENT DOCUMENTS

D705,680 S \* 5/2014 Wiercinski ..... D10/74  
D709,873 S \* 7/2014 Aumiller ..... D14/344  
D724,970 S \* 3/2015 Hasegawa ..... D10/65  
D729,237 S 5/2015 Fagnot  
D729,674 S \* 5/2015 Behar ..... D10/103  
D729,681 S \* 5/2015 Lee ..... D11/3  
D733,596 S \* 7/2015 Goodner ..... D10/70  
D734,330 S \* 7/2015 Huang ..... D14/344  
D737,157 S \* 8/2015 Akana ..... D10/32  
D749,570 S \* 2/2016 Lee ..... D14/344  
D754,110 S \* 4/2016 Jung ..... D14/240  
D765,655 S \* 9/2016 Tao ..... D10/38  
D766,767 S \* 9/2016 Bowman ..... D10/128  
2015/0131216 A1 \* 5/2015 Huang ..... H02J 7/0045  
361/679.03

## OTHER PUBLICATIONS

Smart cufflinks and smart rings are now a thing thanks to Samsung, posted Jan. 6, 2016, [retrieved Mar. 18, 2017]. Retrieved from Internet, <URL: <http://www.digitalspy.com/tech/wearables/news/a779076/smart-cufflinks-and-smart-rings-are-now-a-thing-thanks-to-samsung/>>.\*

Hands-on review: Samsung Charm, posted Jan. 8, 2016, [retrieved Mar. 18, 2017]. Retrieved from Internet, <URL: <http://www.mcrecycle.com/blog/?p=177121>>.\*

Gadgetmac, Misfit Shine Review. [online]. pp. 1-26 [retrieved on Mar. 8, 2016]. Retrieved from the Internet: <URL: <http://gadgetmac.com/reviews/misfit-shine-review.html>>.

Unicef ask ammunition to design a wearable that keeps kids active. [online]. pp. 1-5 [retrieved on Mar. 8, 2016]. Retrieved from the Internet:<URL: <http://www.designboom.com/technology/ammunition-unicef-kid-power-band-wearable-10-15-2015/>>.

\* cited by examiner

FIG. 1

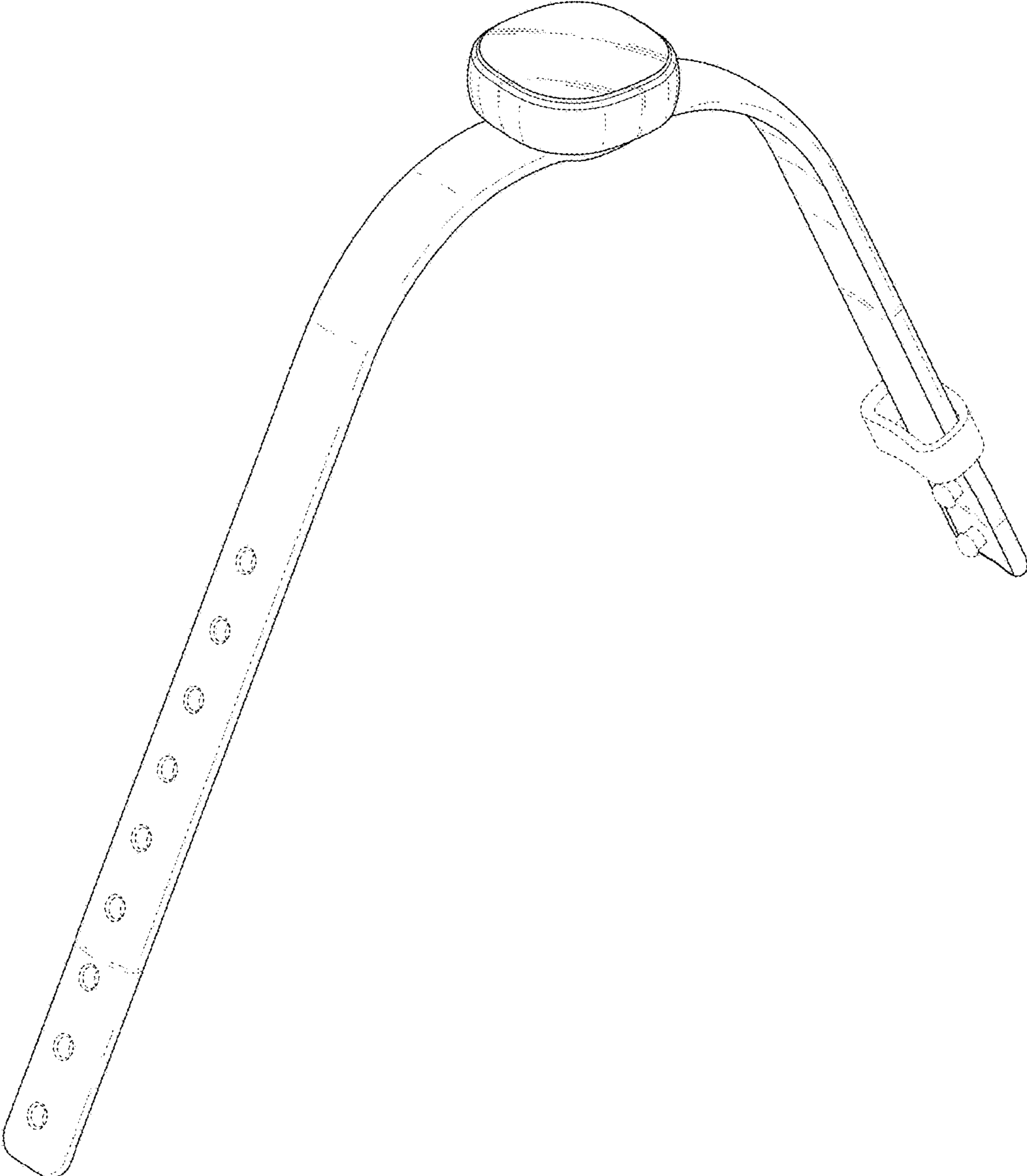


FIG. 2

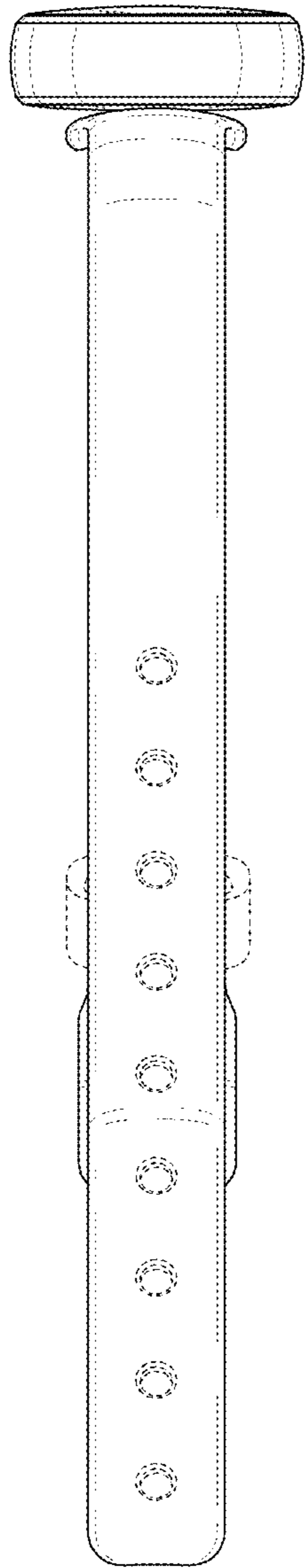


FIG. 3

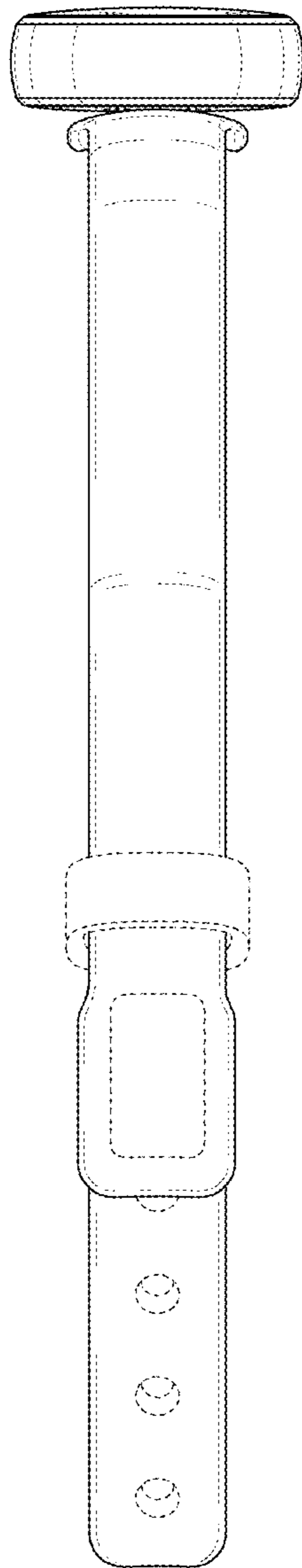


FIG. 4

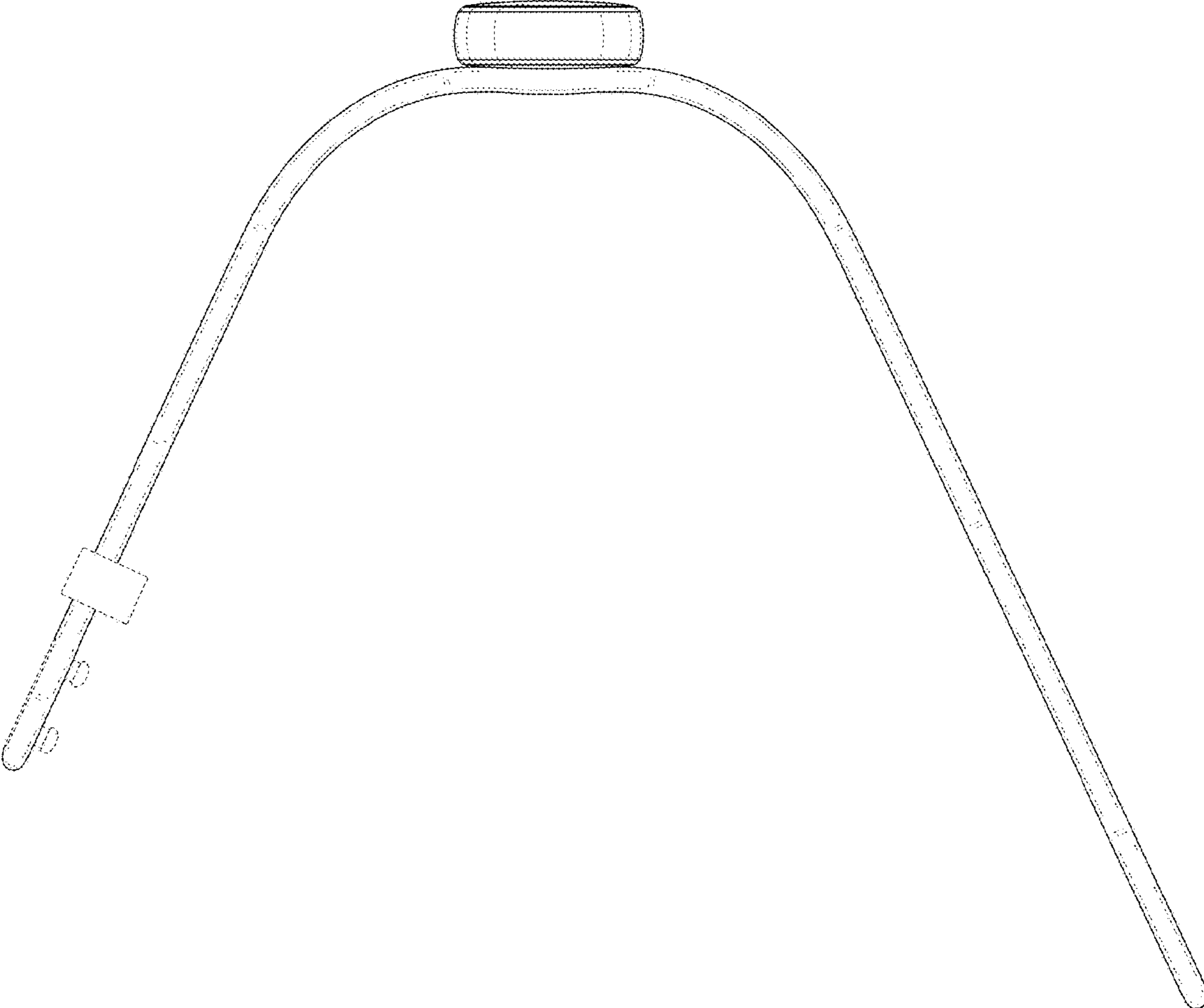


FIG. 5

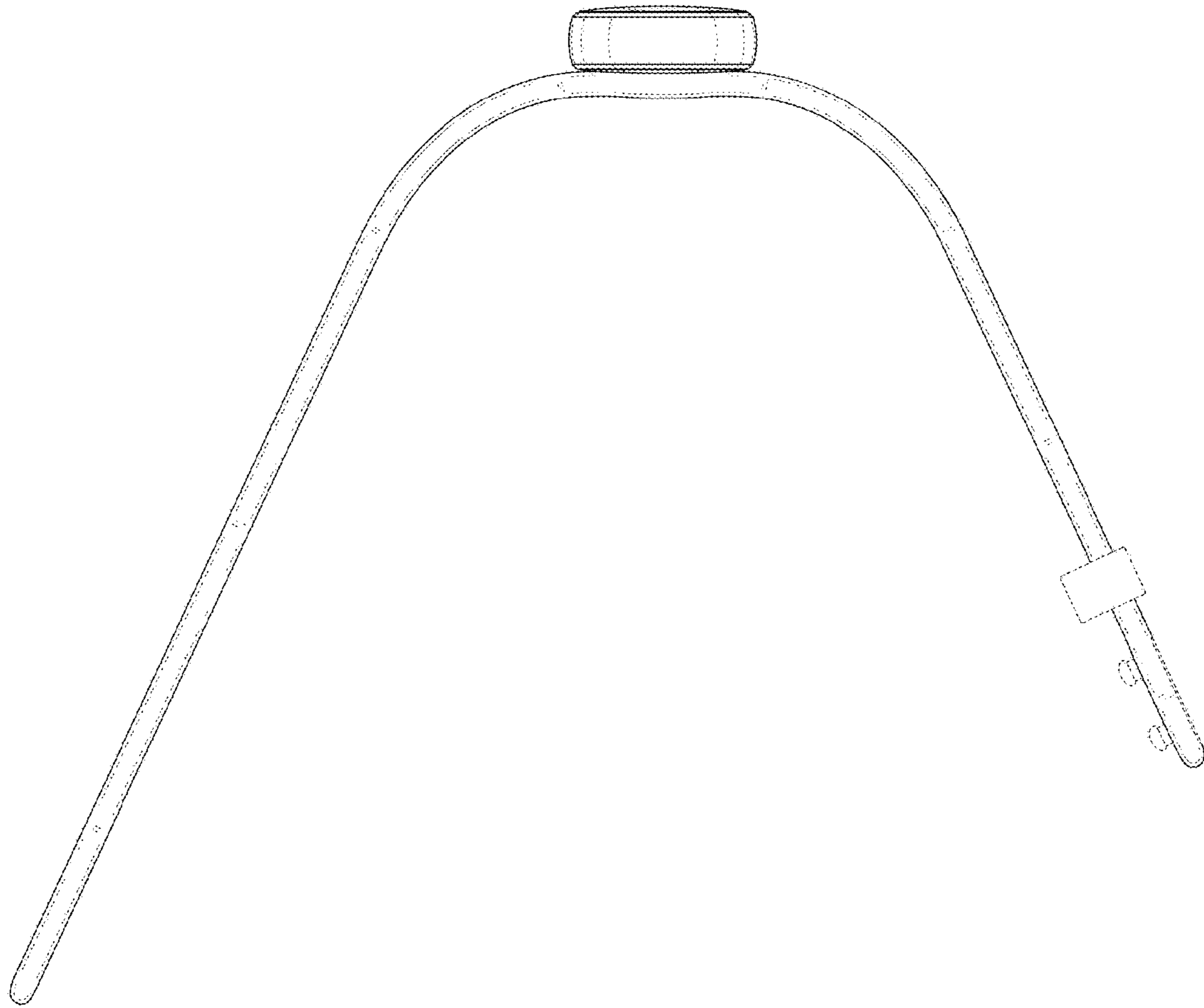


FIG. 6

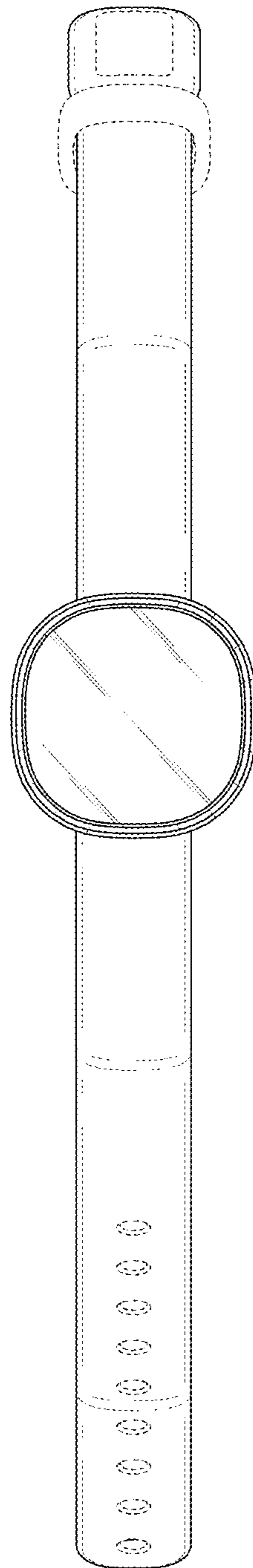




FIG. 7

