



US00D800108S

(12) **United States Design Patent**
Chen

(10) **Patent No.:** **US D800,108 S**

(45) **Date of Patent:** **** Oct. 17, 2017**

(54) **CONTROL PANEL MONITOR**

(71) Applicant: **Yan-hua Chen**, Guangzhou (CN)

(72) Inventor: **Yan-hua Chen**, Guangzhou (CN)

(**) Term: **15 Years**

(21) Appl. No.: **29/568,827**

(22) Filed: **Jun. 21, 2016**

(51) **LOC (10) Cl.** **14-02**

(52) **U.S. Cl.**
USPC **D14/314**

(58) **Field of Classification Search**
USPC D14/314-327, 330, 331, 334-337, 339,
D14/371; D18/1, 2, 7, 11, 4.4, 4.5;
235/145 A, 145 R; 341/22, 23; 345/104,
345/156, 168, 169, 173; 361/679.08,
361/679.09, 679.11, 679.26, 679.27
CPC G06F 1/16; G06F 1/1616; G06F 1/1626;
G06F 1/1632; G06F 1/1613; G06F
1/1601; G06F 1/1618; G06F 1/162; G06F
1/166; G06F 1/1654; G06F 1/1681; G06F
1/1637; G06F 1/1688; G06F 1/1656;
H01R 35/02; H03M 11/00; G09B 13/04;
H03K 17/94; G09G 5/00; F16M 11/10;
H05K 5/00; H04M 1/0237

See application file for complete search history.

(56) **References Cited**

U.S. PATENT DOCUMENTS

D474,228 S *	5/2003	Katou	D18/4.3
D527,760 S *	9/2006	Ono	D18/4.5
D614,617 S *	4/2010	Pepper	D14/336
D615,120 S *	5/2010	Ono	D18/4.5
D640,254 S *	6/2011	Pepper	D14/336

D680,108 S *	4/2013	Kumagai	D14/336
D736,392 S *	8/2015	Kwon	D24/185
2005/0156024 A1 *	7/2005	Ichikawa	G07G 1/0018 235/379

* cited by examiner

Primary Examiner — Freda S Nunn

(74) *Attorney, Agent, or Firm* — Intellectual Property Law Group LLP

(57) **CLAIM**

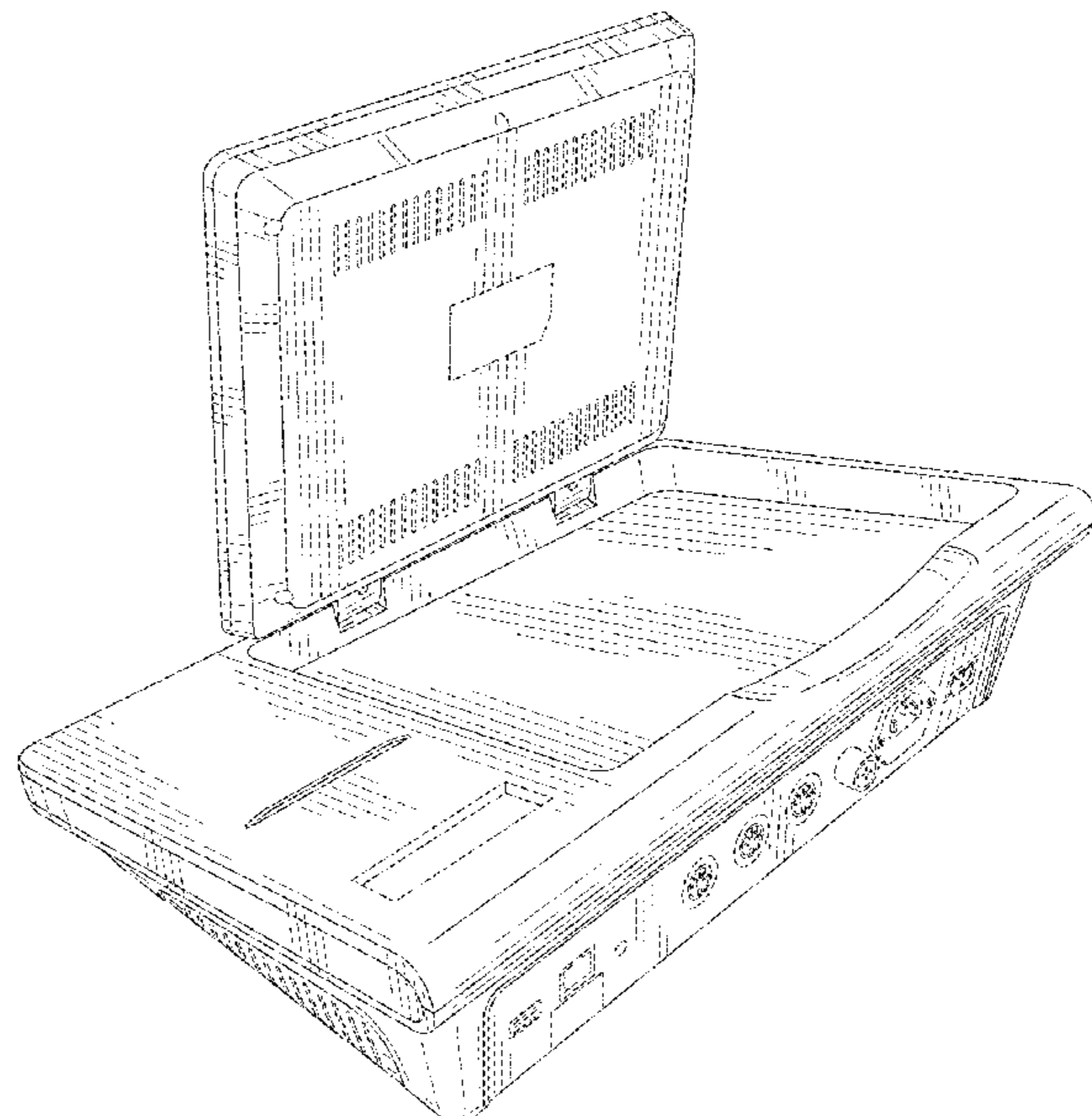
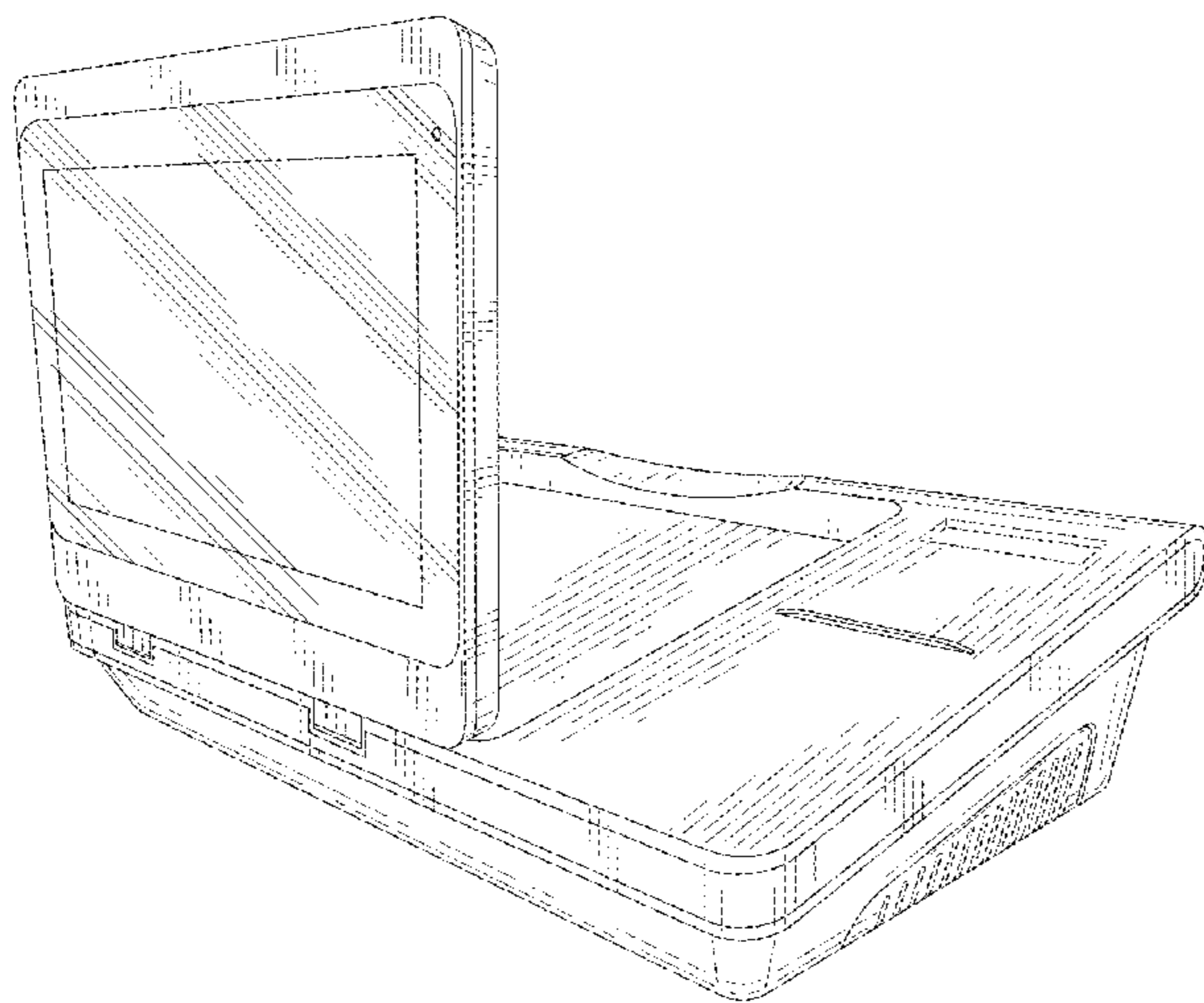
The ornamental design for a control panel monitor, as shown and described.

DESCRIPTION

FIG. 1 is a top, front perspective view of a control panel monitor, embodying my new design;
FIG. 2 is a top, rear perspective view thereof;
FIG. 3 is a front elevational view thereof;
FIG. 4 is a rear elevational view thereof;
FIG. 5 is a right side elevational view thereof; the left side elevational view being a mirror image thereof;
FIG. 6 is a top plan view thereof;
FIG. 7 is a bottom plan view thereof;
FIG. 8 is a top, front perspective view thereof with the monitor extended open;
FIG. 9 is a top, rear perspective view of FIG. 8;
FIG. 10 is a front elevational view thereof;
FIG. 11 is a left side elevational view thereof; the right side elevational view being a mirror image thereof; and,
FIG. 12 is a rear elevational view thereof.

The broken lines are included for showing features that form no part of the claim.

1 Claim, 5 Drawing Sheets



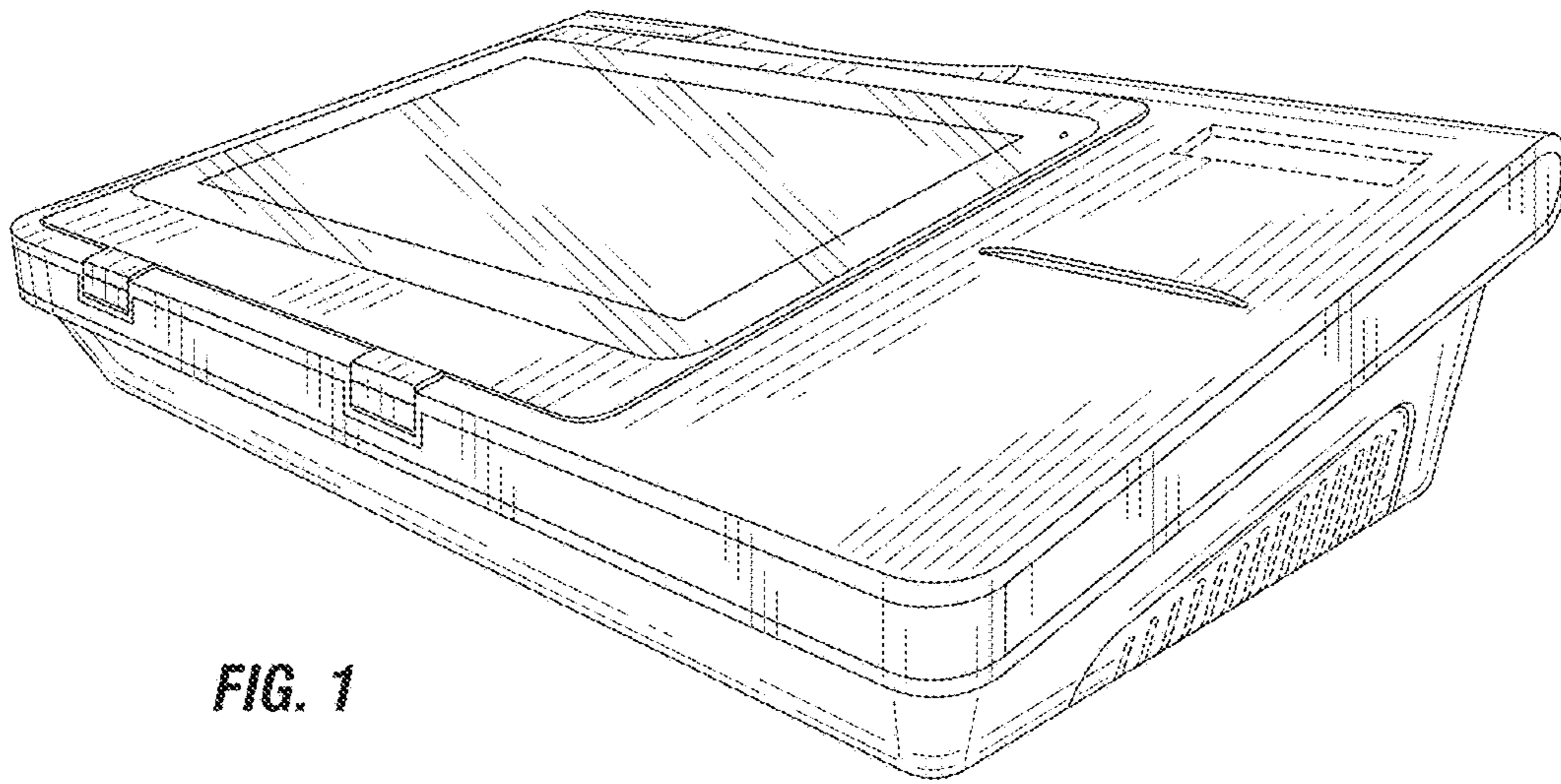


FIG. 1

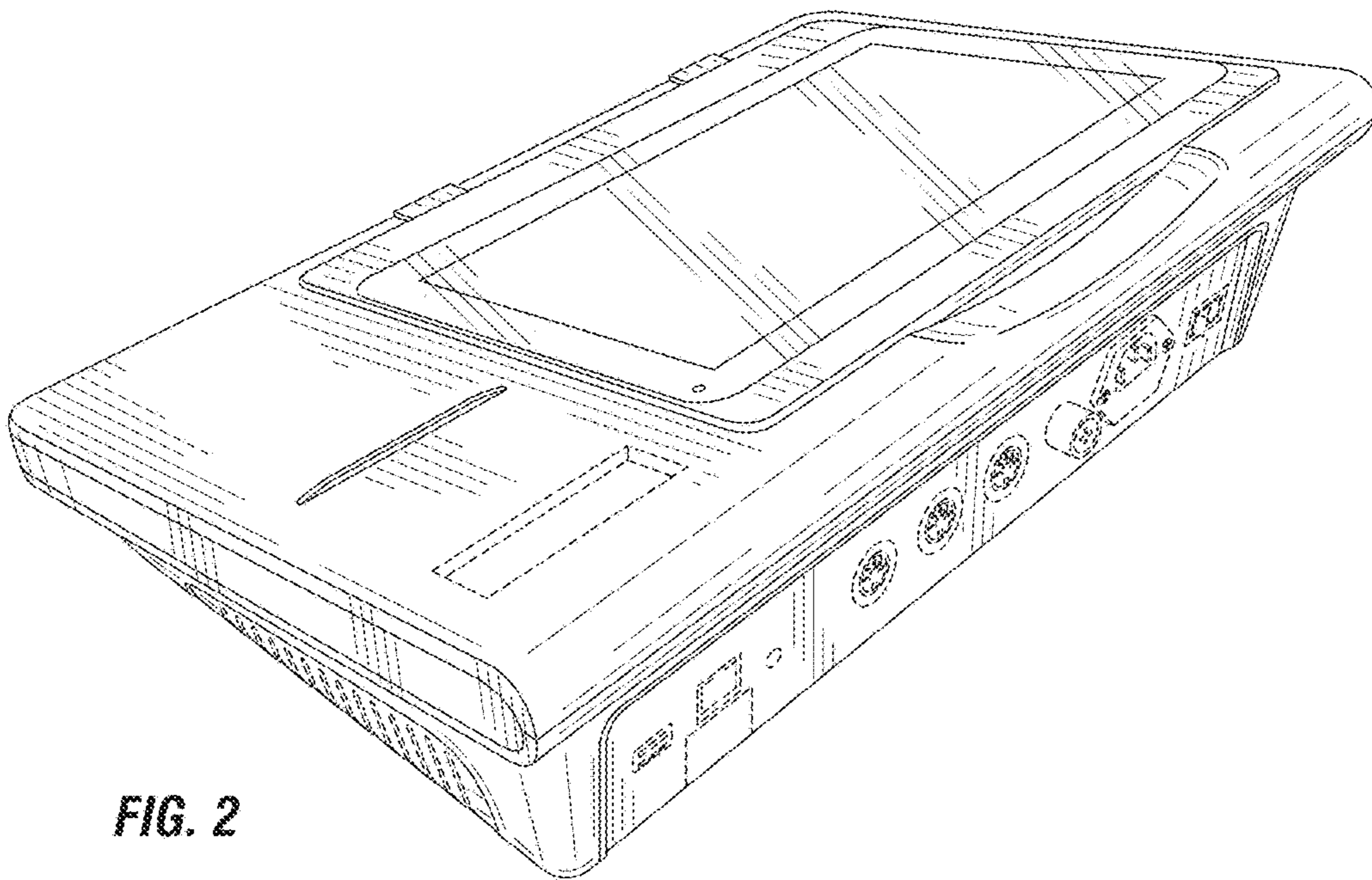


FIG. 2

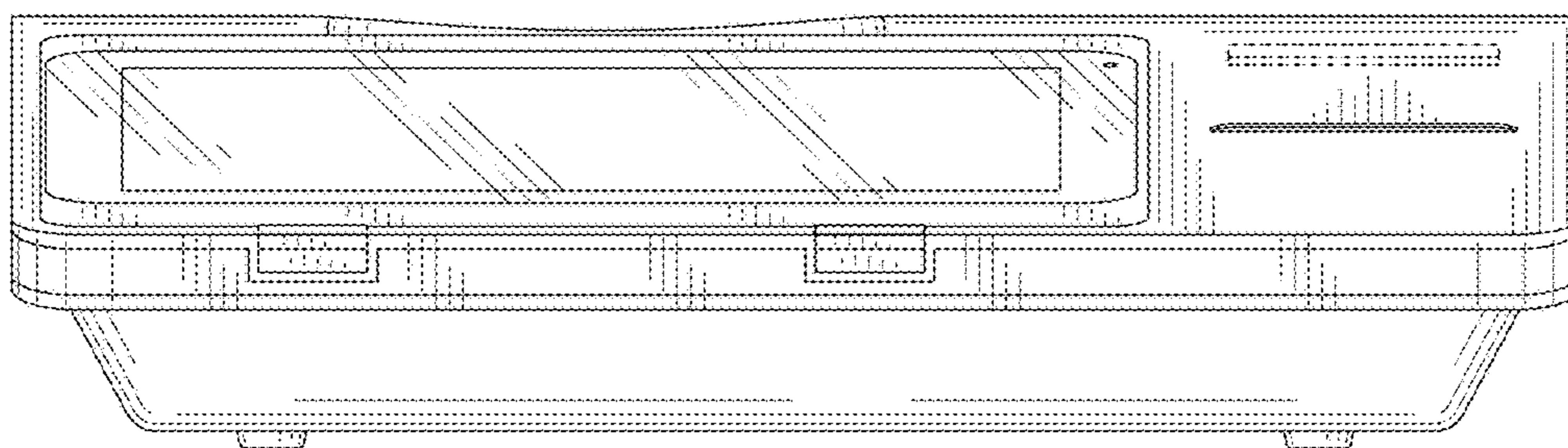


FIG. 3

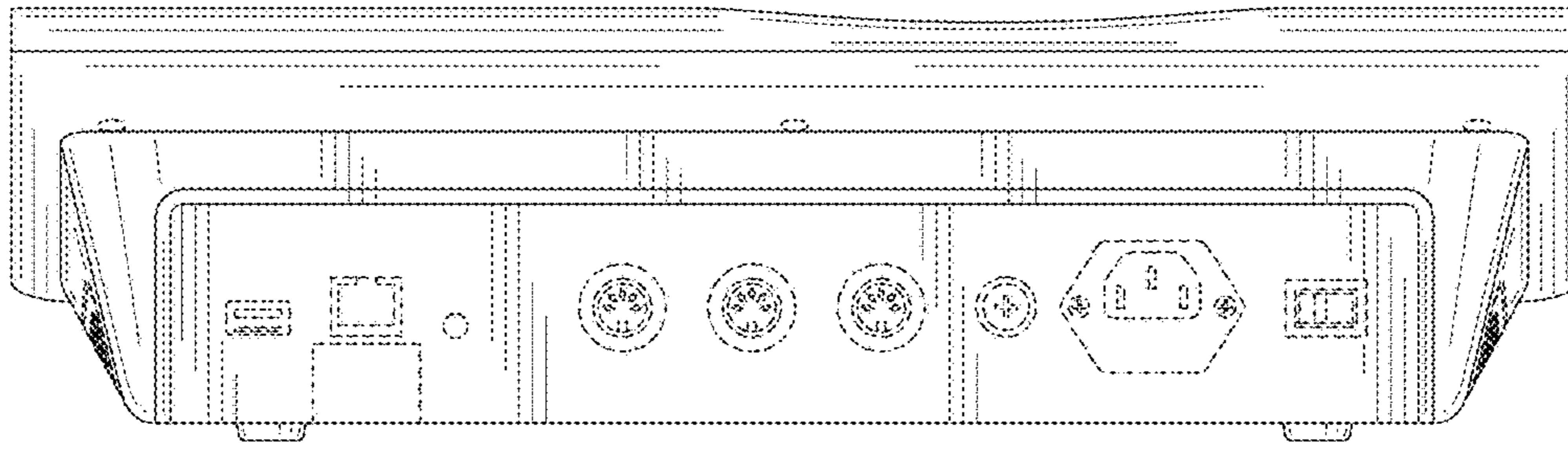


FIG. 4

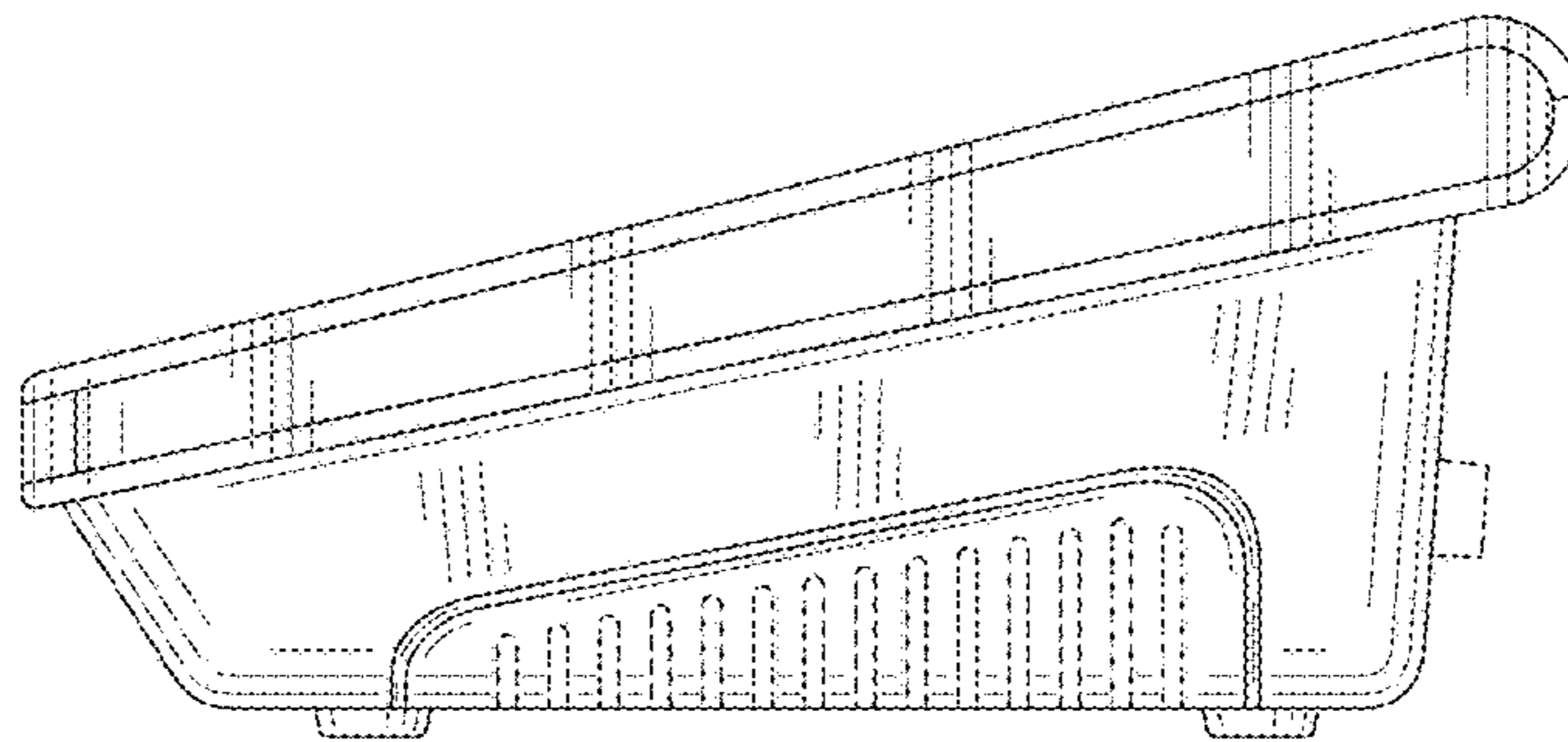


FIG. 5

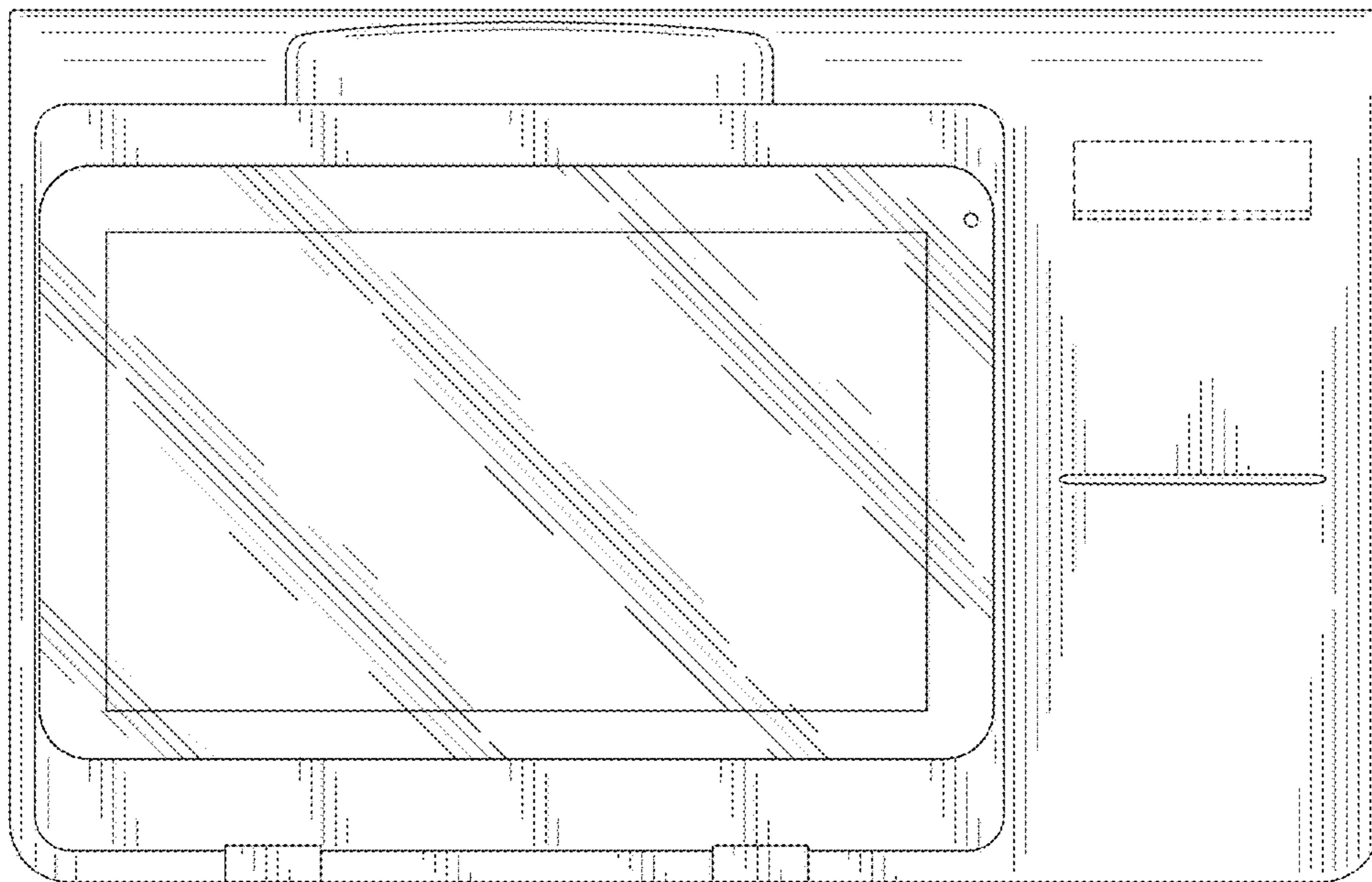


FIG. 6

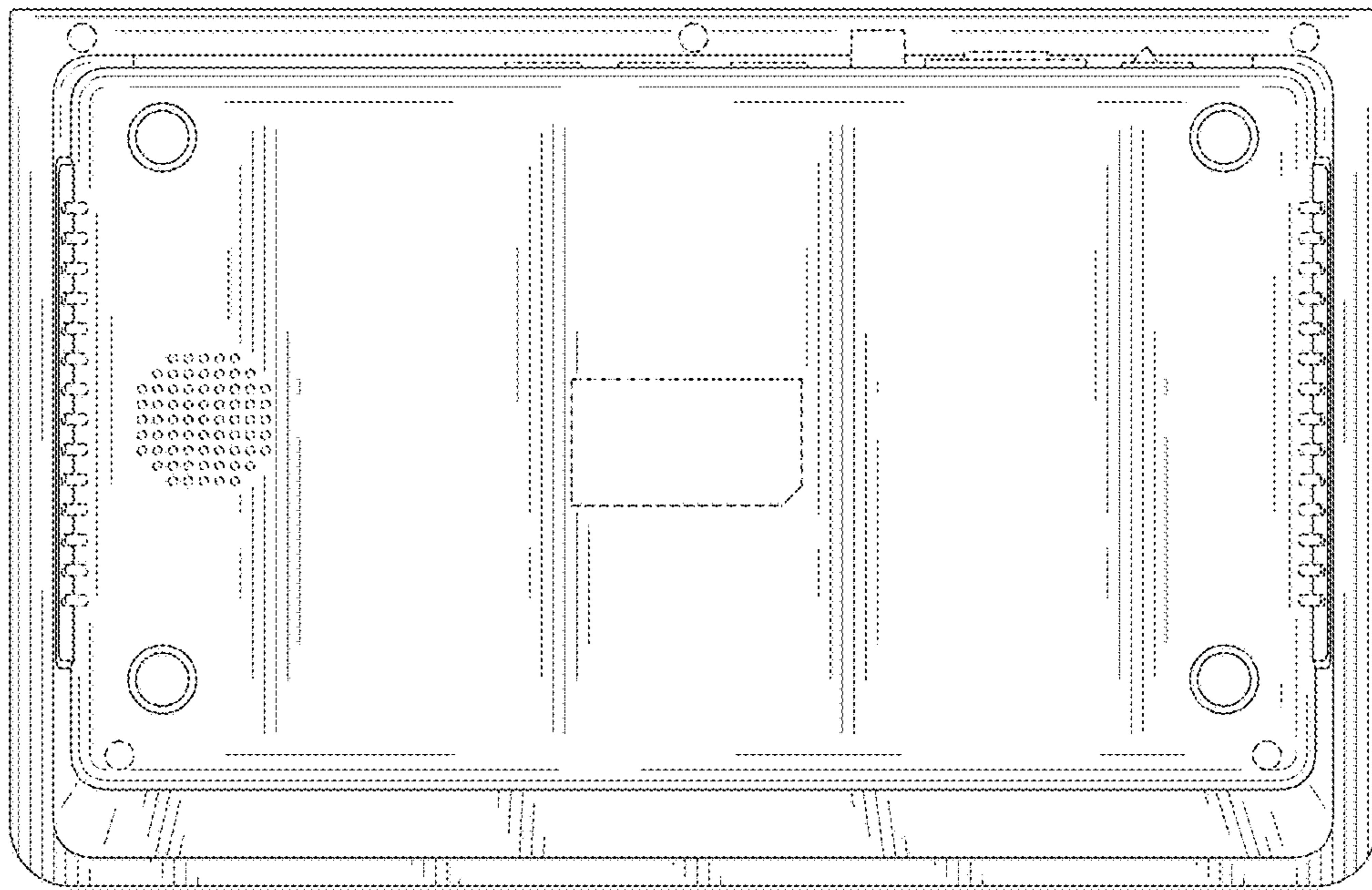


FIG. 7

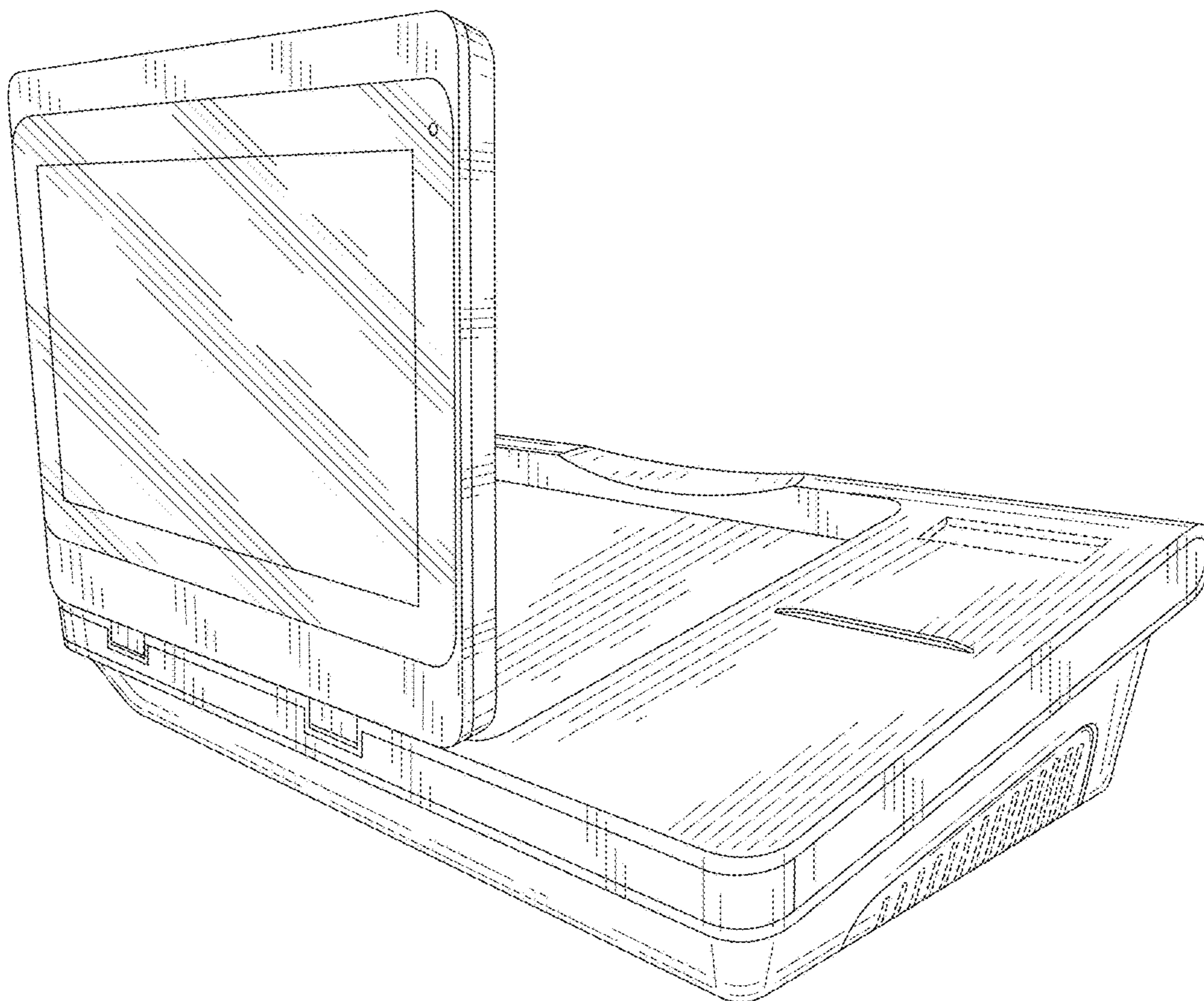


FIG. 8

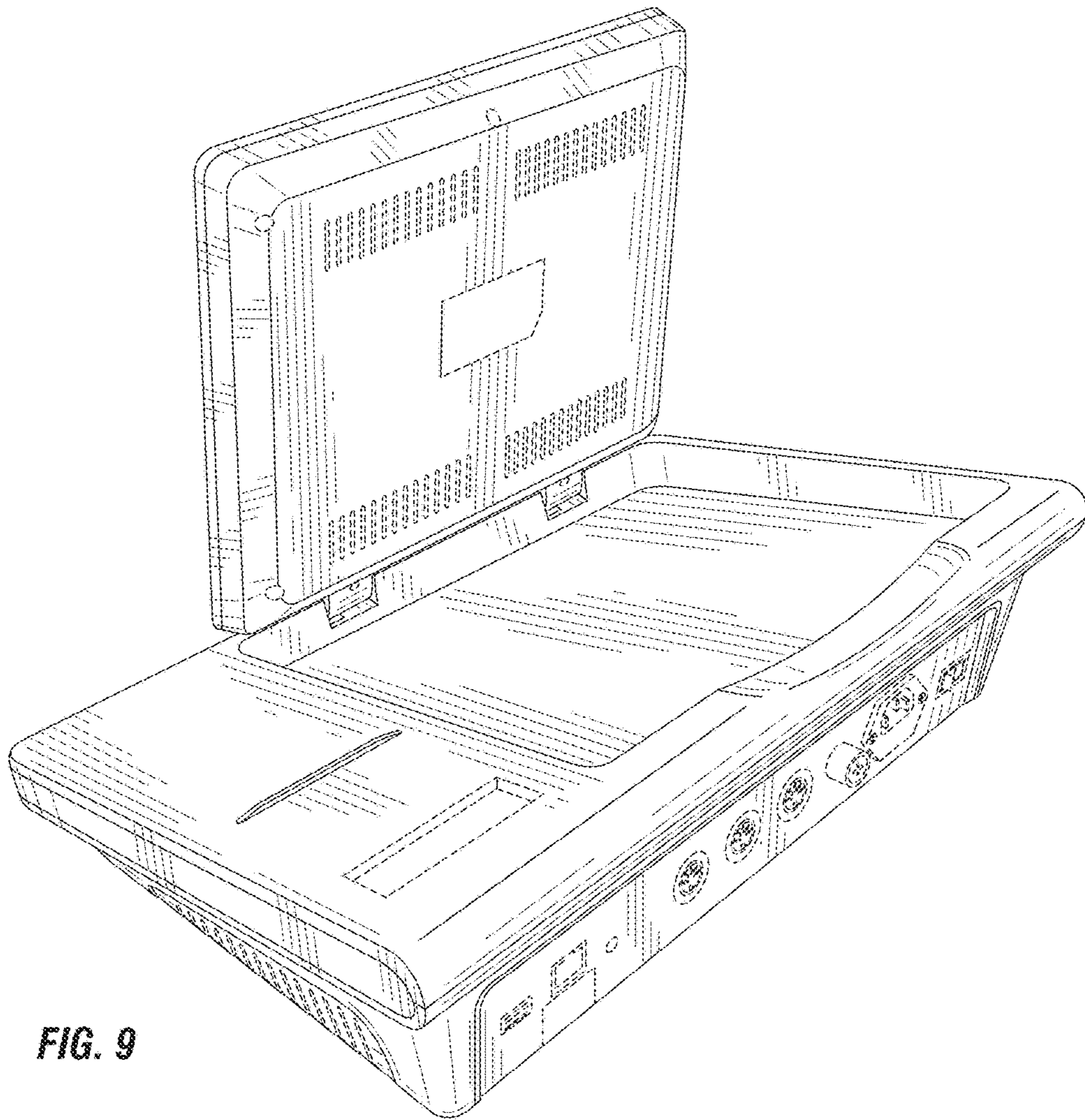


FIG. 9

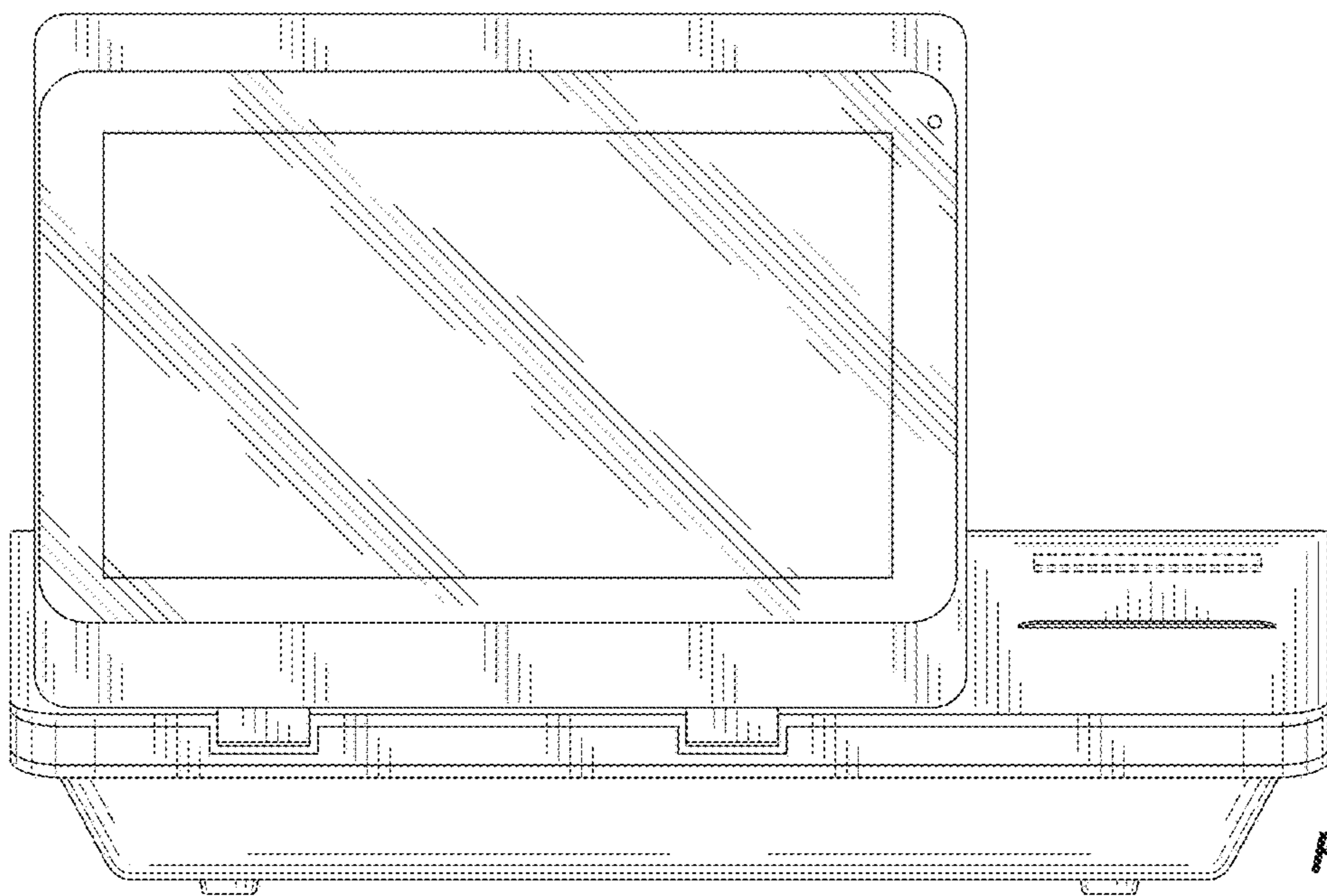


FIG. 10

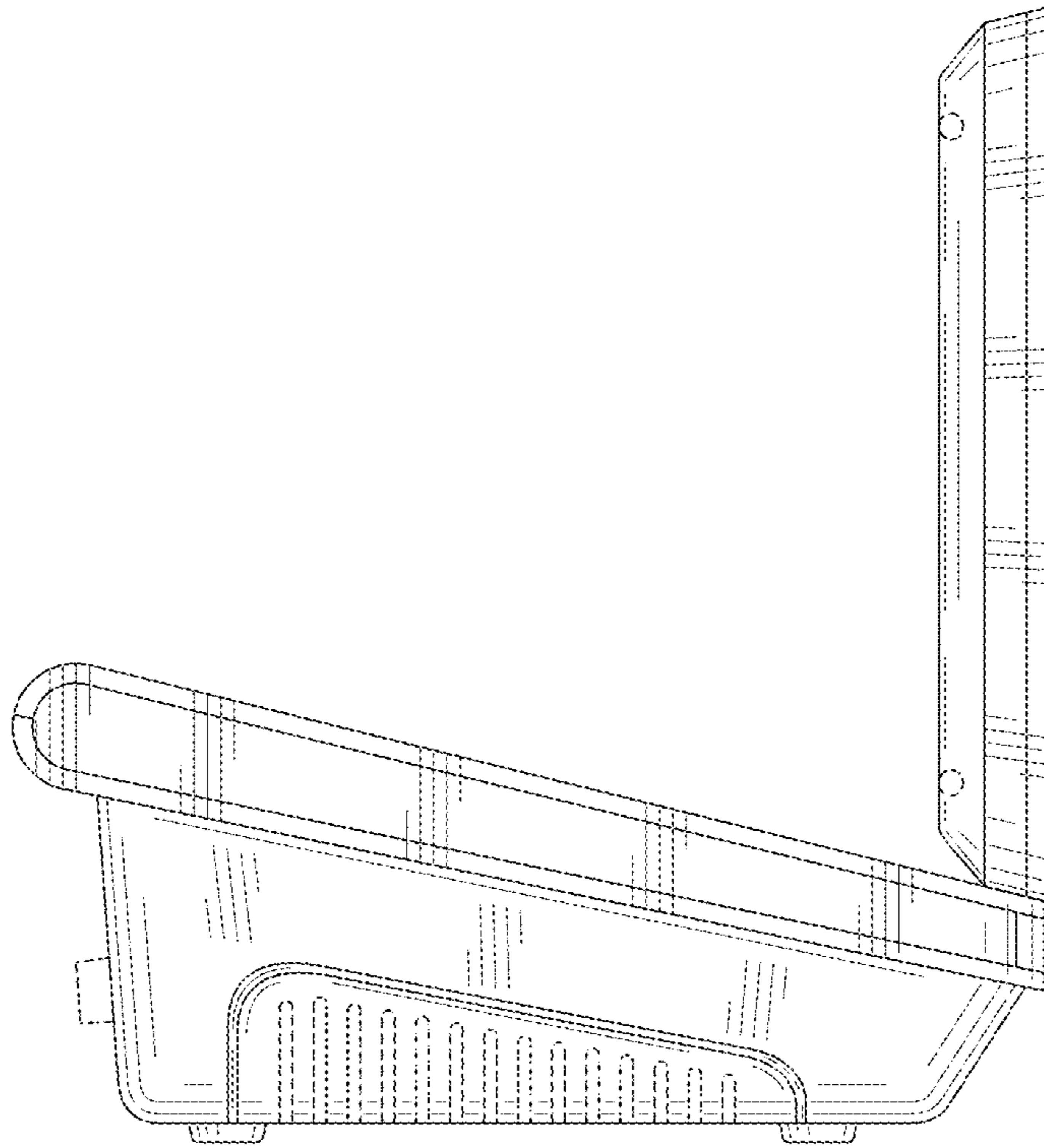


FIG. 11

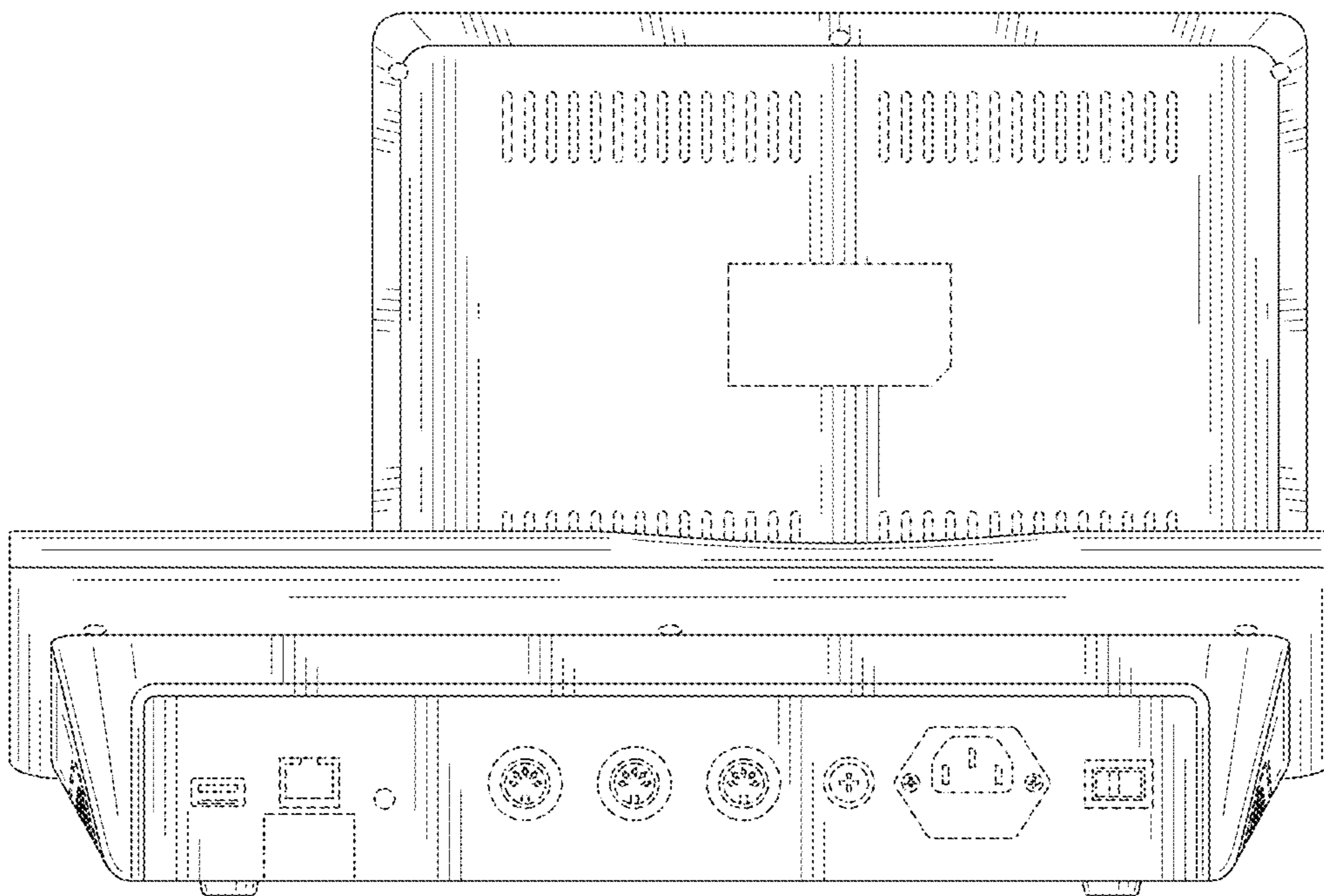


FIG. 12