



US00D800102S

(12) **United States Design Patent**
Wu

(10) **Patent No.:** **US D800,102 S**

(45) **Date of Patent:** **** Oct. 17, 2017**

(54) **TV TELESCOPIC HANGING BRACKET**

(56) **References Cited**

(71) Applicant: **Huai Wu**, Fuzhou (CN)

U.S. PATENT DOCUMENTS

(72) Inventor: **Huai Wu**, Fuzhou (CN)

8,079,311 B2 * 12/2011 Whalen F16M 11/00
108/42

(**) Term: **15 Years**

D699,233 S * 2/2014 Lozano D14/239
D747,724 S * 1/2016 Kulkarni D14/452

(21) Appl. No.: **29/575,165**

* cited by examiner

(22) Filed: **Aug. 23, 2016**

Primary Examiner — Randall Gholson

(51) **LOC (10) Cl.** **14-03**

(52) **U.S. Cl.**

(57) **CLAIM**

USPC **D14/239**

The ornamental design for a TV telescopic hanging bracket,
as shown and described.

(58) **Field of Classification Search**

DESCRIPTION

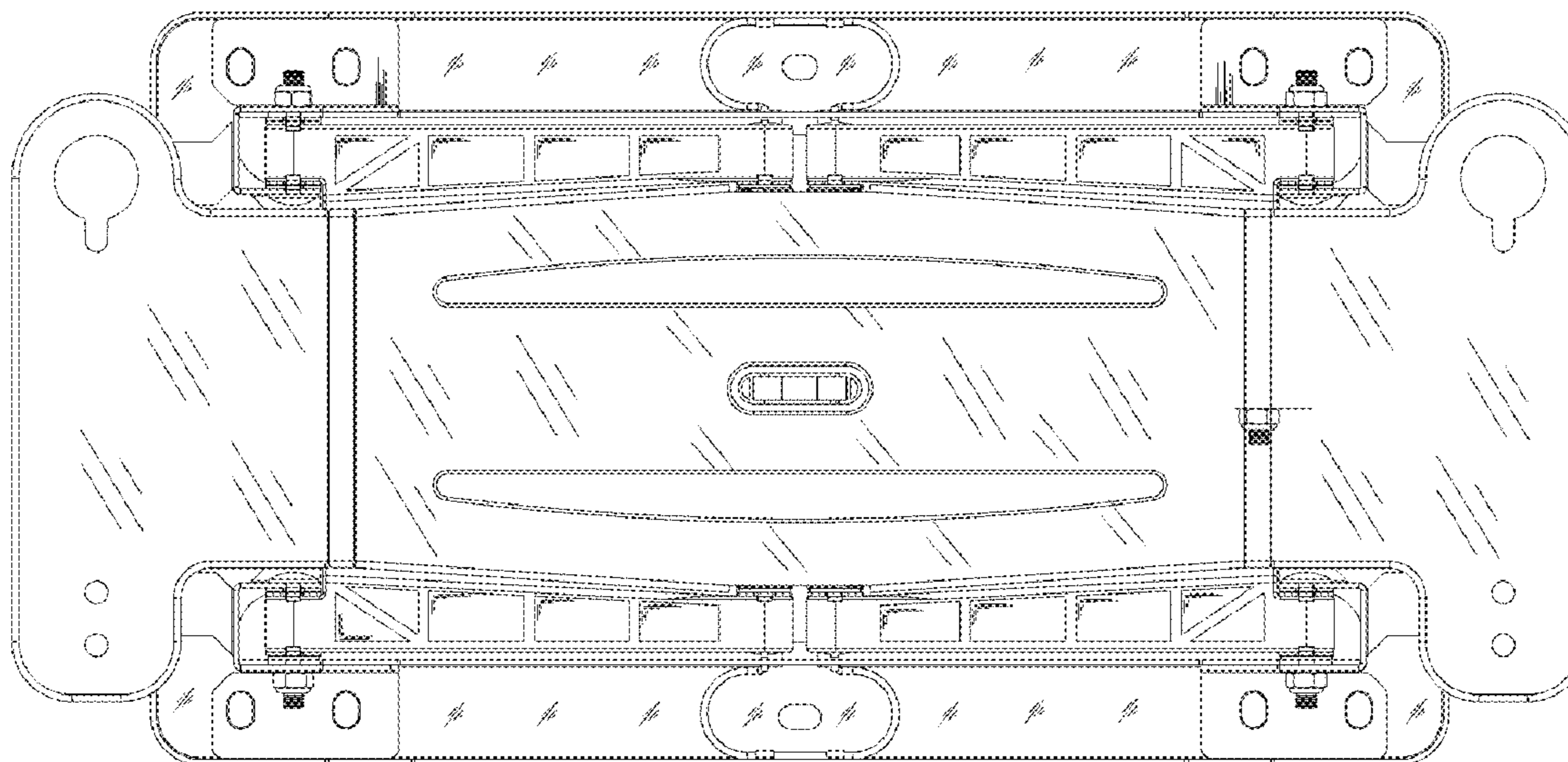
USPC D14/239, 371, 136, 374-377; D8/363,
D8/373, 349, 394; 248/465, 917-924,
248/123.11; 348/825, 827, 836, 837, 838,
348/180, 184, 325, 739; 600/443;
D6/477-479, 407, 474, 460, 461, 468;
312/7.2; 341/12; 345/87, 104, 133, 156,
345/168, 169, 173; 720/605, 669, 600,
720/655; 369/99, 197; 455/344-347;
349/1, 2, 11, 62; 108/59, 91, 92, 96;
211/40, 41.12, 42, 49.1, 50, 85.2, 90.04,
211/187, 190, 119.003, 134.153, 87.01,
211/71.01

FIG. 1 is a front view of a new design of the TV telescopic
hanging bracket showing my new design;
FIG. 2 is a rear view thereof;
FIG. 3 is a left view thereof;
FIG. 4 is a right view thereof;
FIG. 5 is a top view thereof;
FIG. 6 is a bottom view thereof;
FIG. 7 is a perspective view thereof; and,
FIG. 8 is an alternate view thereof.

CPC A47B 43/00; G03B 1/00

1 Claim, 4 Drawing Sheets

See application file for complete search history.



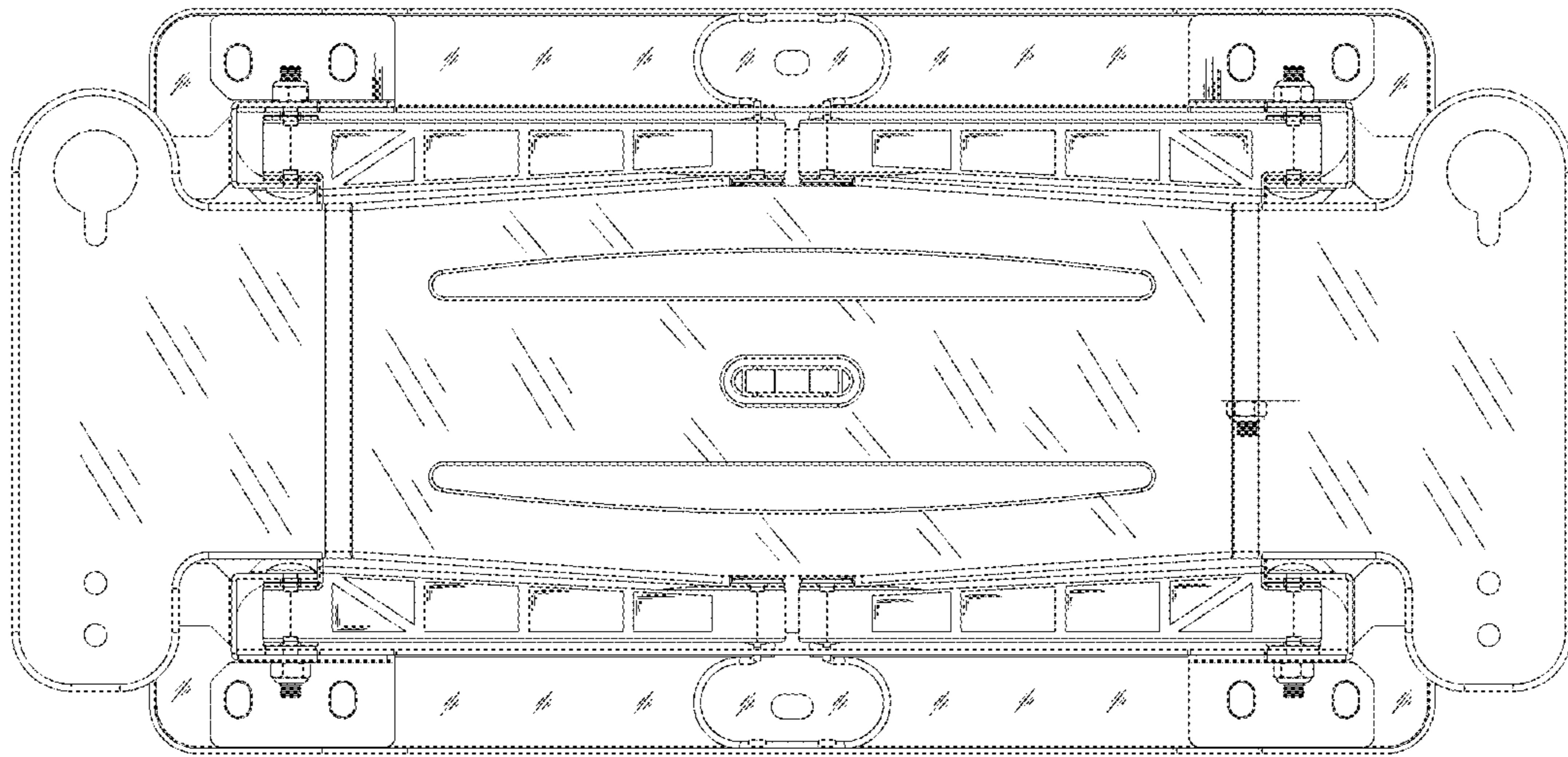


FIG. 1

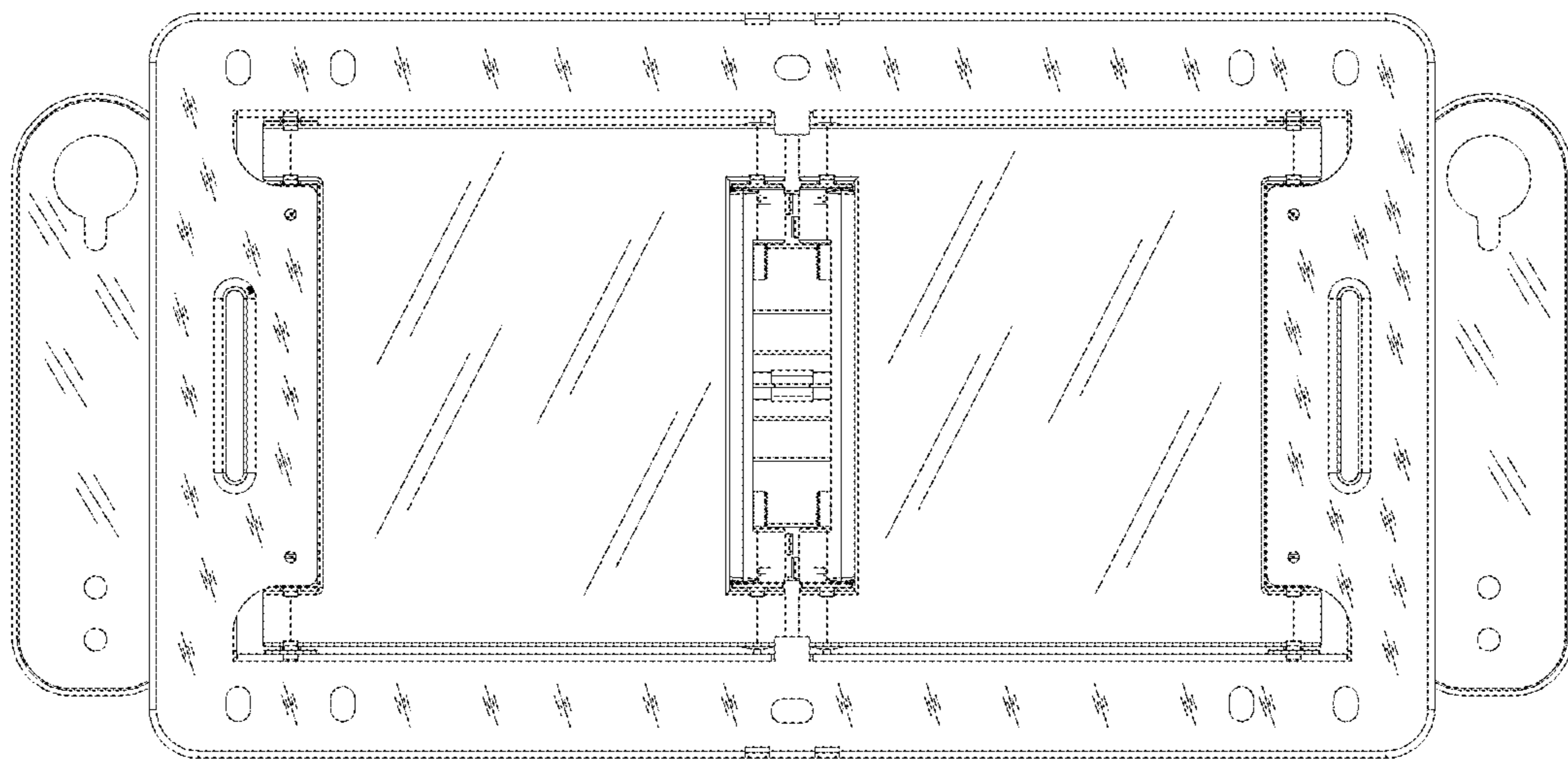


FIG. 2

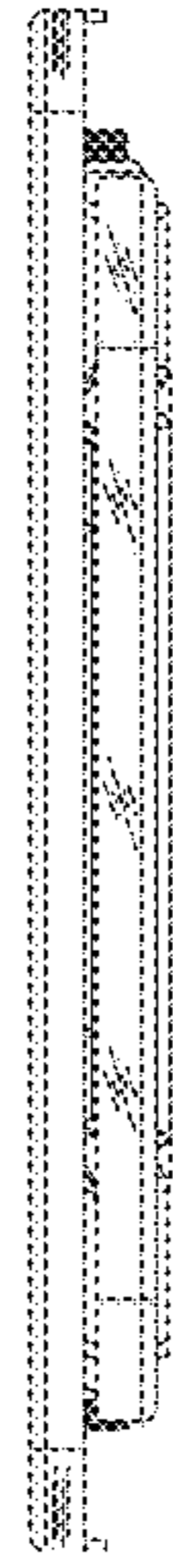


FIG. 3

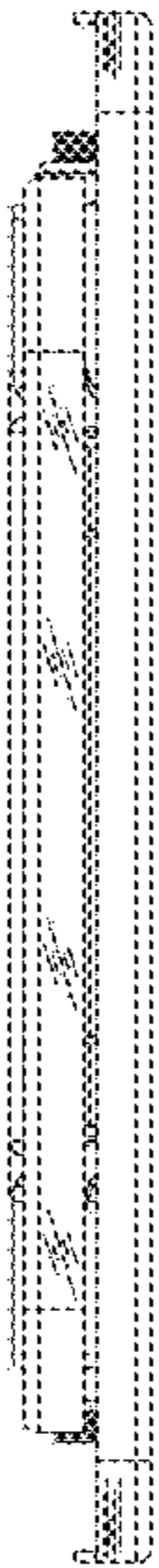


FIG. 4



FIG. 5

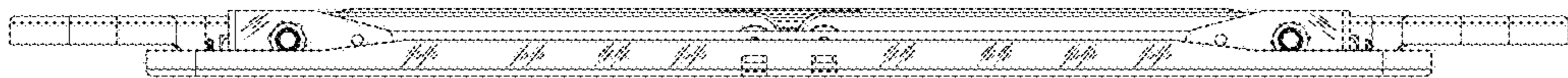


FIG. 6

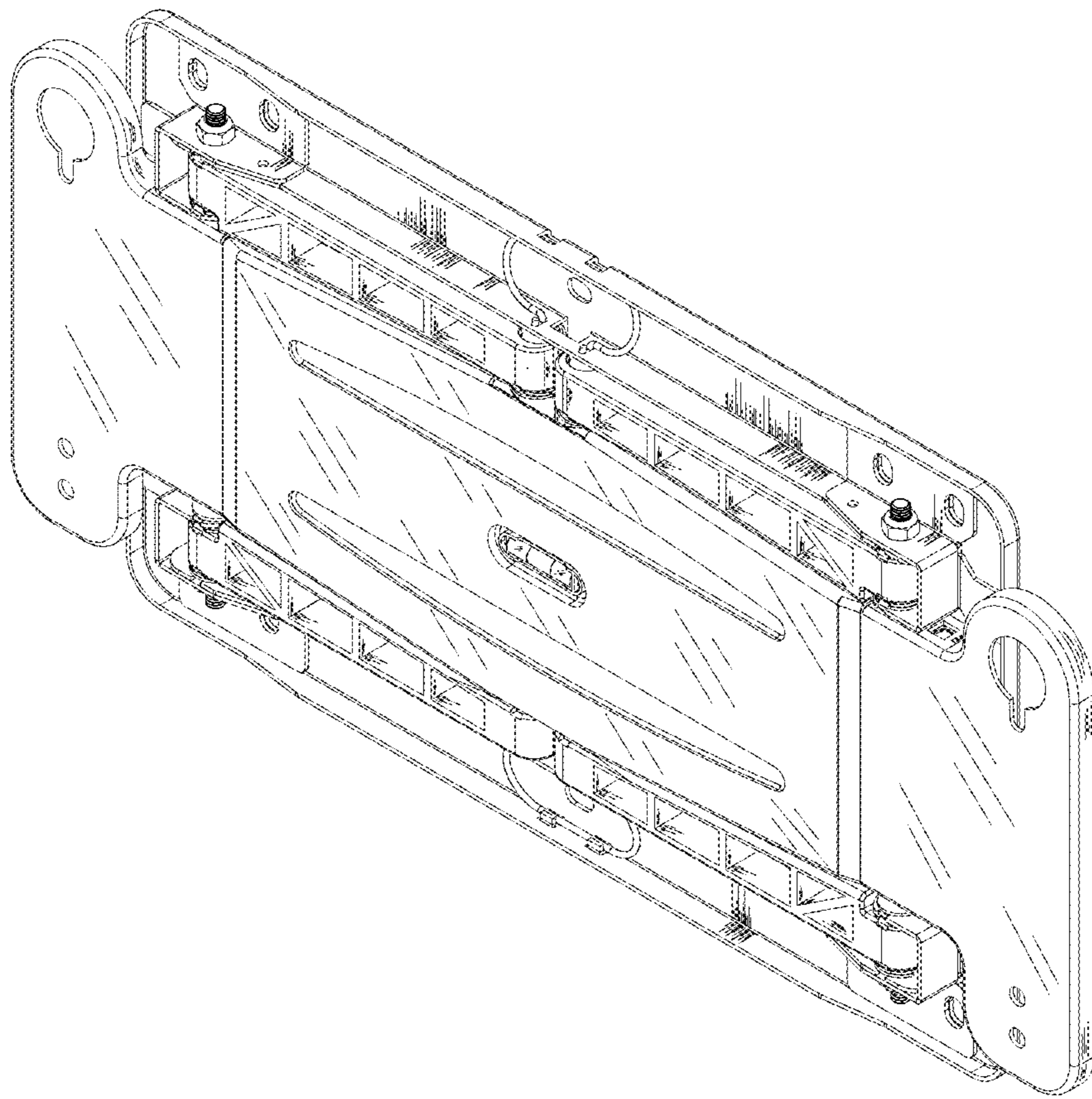


FIG. 7

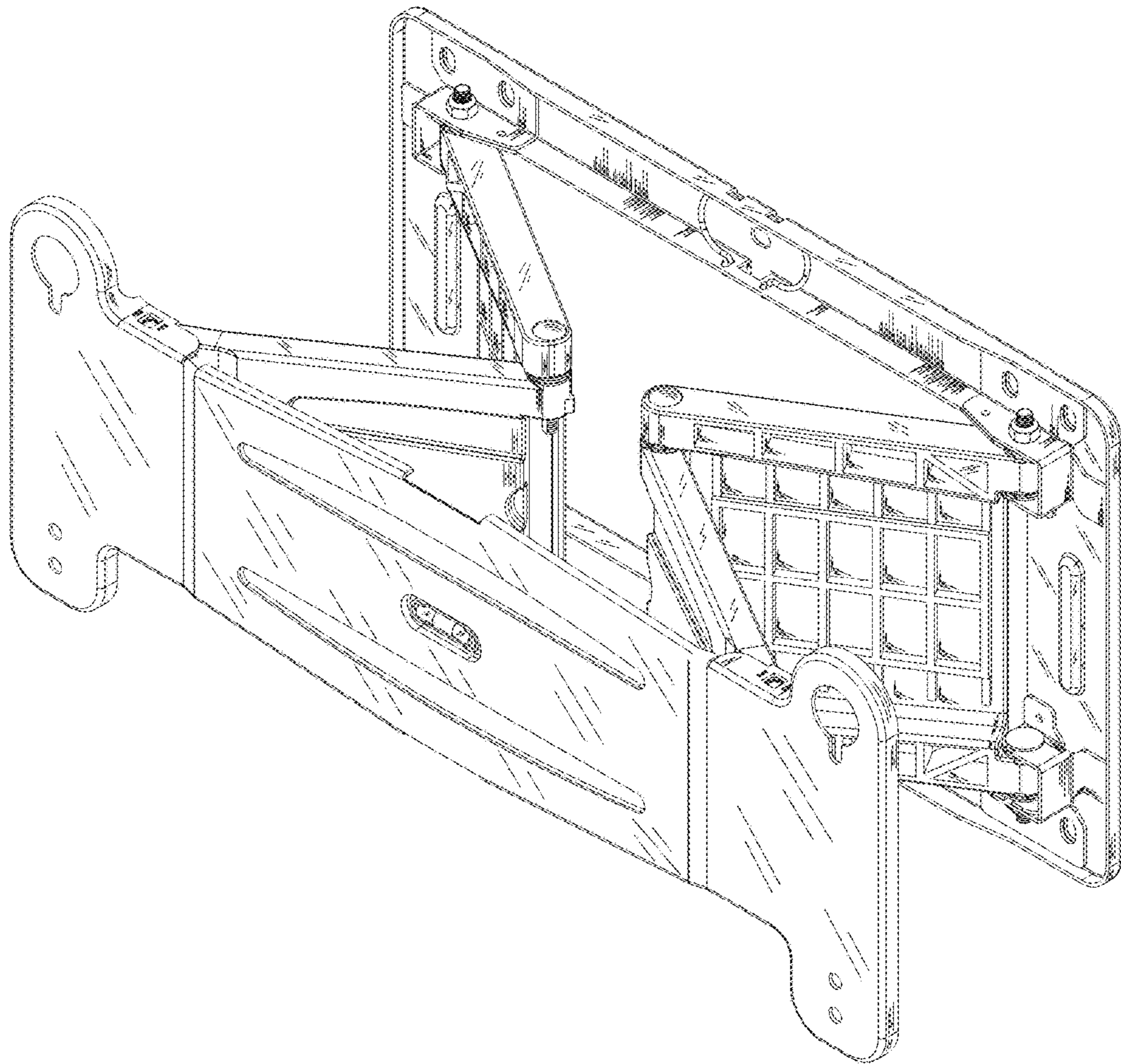


FIG.8