

US00D800095S

(12) **United States Design Patent** (10) **Patent No.:** **US D800,095 S**  
**Yao** (45) **Date of Patent:** **\*\* Oct. 17, 2017**

(54) **SPEAKER**  
(71) Applicant: **Shenzhen Aukey E-Business Co., Ltd.**,  
Shenzhen (CN)  
(72) Inventor: **Meiquan Yao**, Shenzhen (CN)  
(73) Assignee: **Shenzhen Aukey E-Business Co., Ltd.**  
(CN)  
(\*\*) Term: **15 Years**  
(21) Appl. No.: **29/584,580**  
(22) Filed: **Nov. 16, 2016**  
(51) **LOC (10) Cl.** ..... **14-01**  
(52) **U.S. Cl.**  
USPC ..... **D14/214; D14/210; D14/211**  
(58) **Field of Classification Search**  
USPC ..... D14/168, 188, 194, 195, 196, 204, 210,  
D14/211, 212, 213, 214, 215, 216, 217,  
D14/221, 222, 223, 224  
CPC ..... B60R 11/0217; G06F 1/1688; G10K 9/22;  
G10K 11/004; H03F 1/327; H04M 1/03;  
H04M 1/035; H04N 5/642; H04N  
21/4852; H04S 3/00; H04S 7/30; H04R  
1/02; H04R 1/06; H04R 1/021; H04R  
1/025; H04R 1/026; H04R 1/028; H04R  
1/105; H04R 1/323; H04R 1/403; H04R  
1/2803; H04R 1/2834; H04R 5/02; H04R  
7/20; H04R 9/06; H04R 9/025; H04R  
2201/021; H04R 2400/00; H04R 2400/07;  
H04R 2499/11; H04R 2499/13; H04R  
2499/15  
See application file for complete search history.

D246,174 S \* 10/1977 Griffin, Jr. .... D14/214  
D247,236 S \* 2/1978 Croup ..... D14/214  
D247,489 S \* 3/1978 Jabara ..... D14/214  
D258,359 S \* 2/1981 Iijima ..... D14/214  
D266,759 S \* 11/1982 Jabara ..... D14/214  
D276,227 S \* 11/1984 Nakamura ..... D14/214  
D281,597 S \* 12/1985 Matsushima ..... D14/214  
D294,494 S \* 3/1988 Kountz ..... D14/214  
D305,333 S \* 1/1990 Irby ..... D14/214  
D421,438 S \* 3/2000 Bothe ..... D14/213  
D443,604 S \* 6/2001 Levine ..... D14/214  
D466,105 S \* 11/2002 Bothe ..... D14/214  
D581,902 S \* 12/2008 Morimoto ..... D14/214  
D673,928 S \* 1/2013 Desrosiers ..... D14/204  
D719,933 S \* 12/2014 Kane ..... D14/194  
D725,463 S \* 3/2015 Kuo ..... D9/414  
8,967,323 B1 \* 3/2015 Grenier ..... H04R 1/26  
181/198  
2009/0226019 A1 \* 9/2009 Koren ..... H04R 1/2819  
381/345

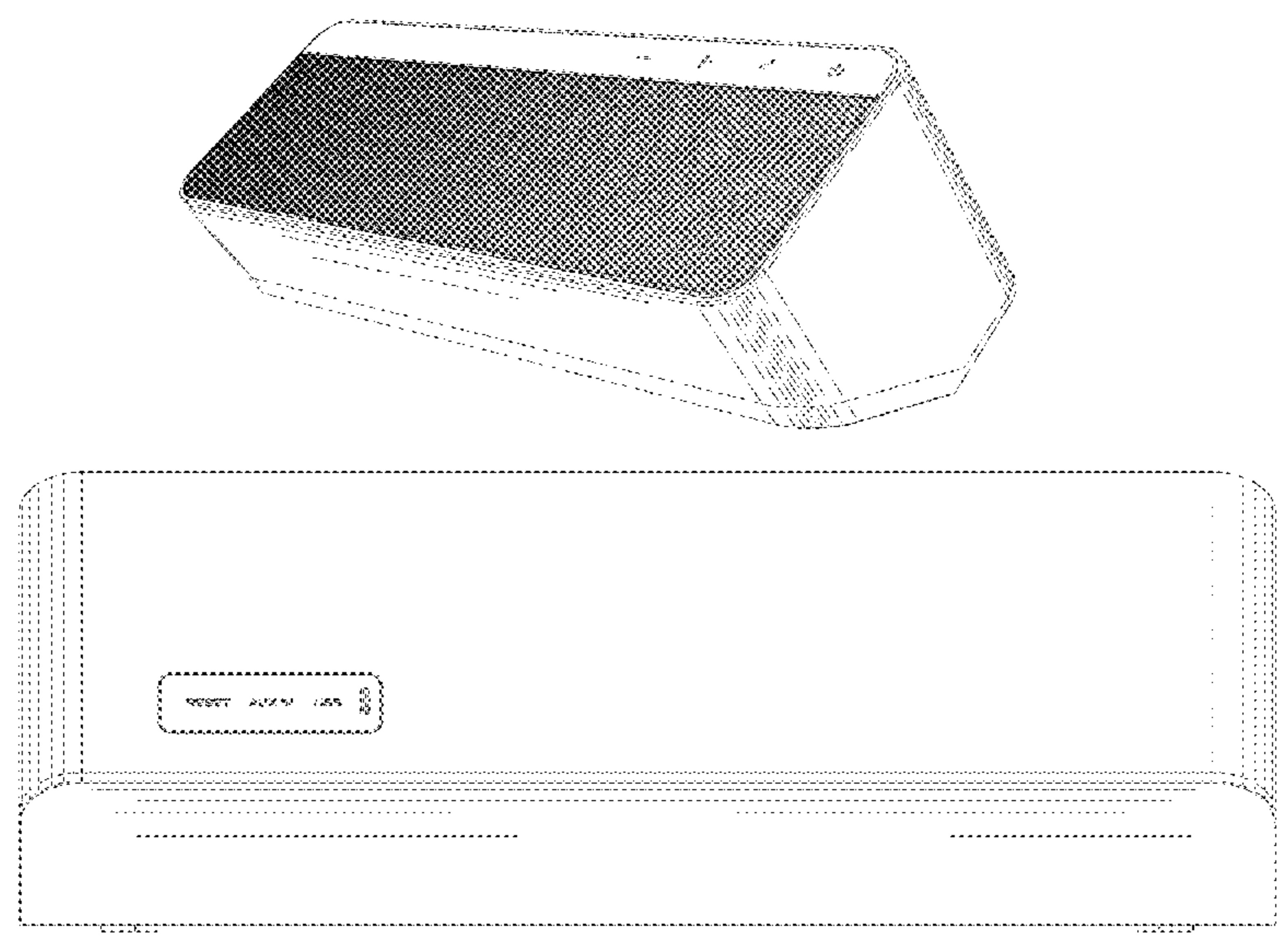
\* cited by examiner  
*Primary Examiner* — Keli L Hill  
*Assistant Examiner* — Karra S Johnson  
(74) *Attorney, Agent, or Firm* — Yanling Jiang

(57) **CLAIM**  
The ornamental design for a speaker, as shown and described.

**DESCRIPTION**  
FIG. 1 is a perspective view showing a speaker.  
FIG. 2 is a front view of a speaker.  
FIG. 3 is a rear view of a speaker.  
FIG. 4 is a top view of a speaker.  
FIG. 5 is a bottom view of a speaker.  
FIG. 6 is a side view of a speaker; and,  
FIG. 7 is a side view of a speaker.

**1 Claim, 7 Drawing Sheets**

(56) **References Cited**  
U.S. PATENT DOCUMENTS  
D222,476 S \* 10/1971 Yoshihiko ..... D14/210  
D227,904 S \* 7/1973 Takeoka ..... D14/214



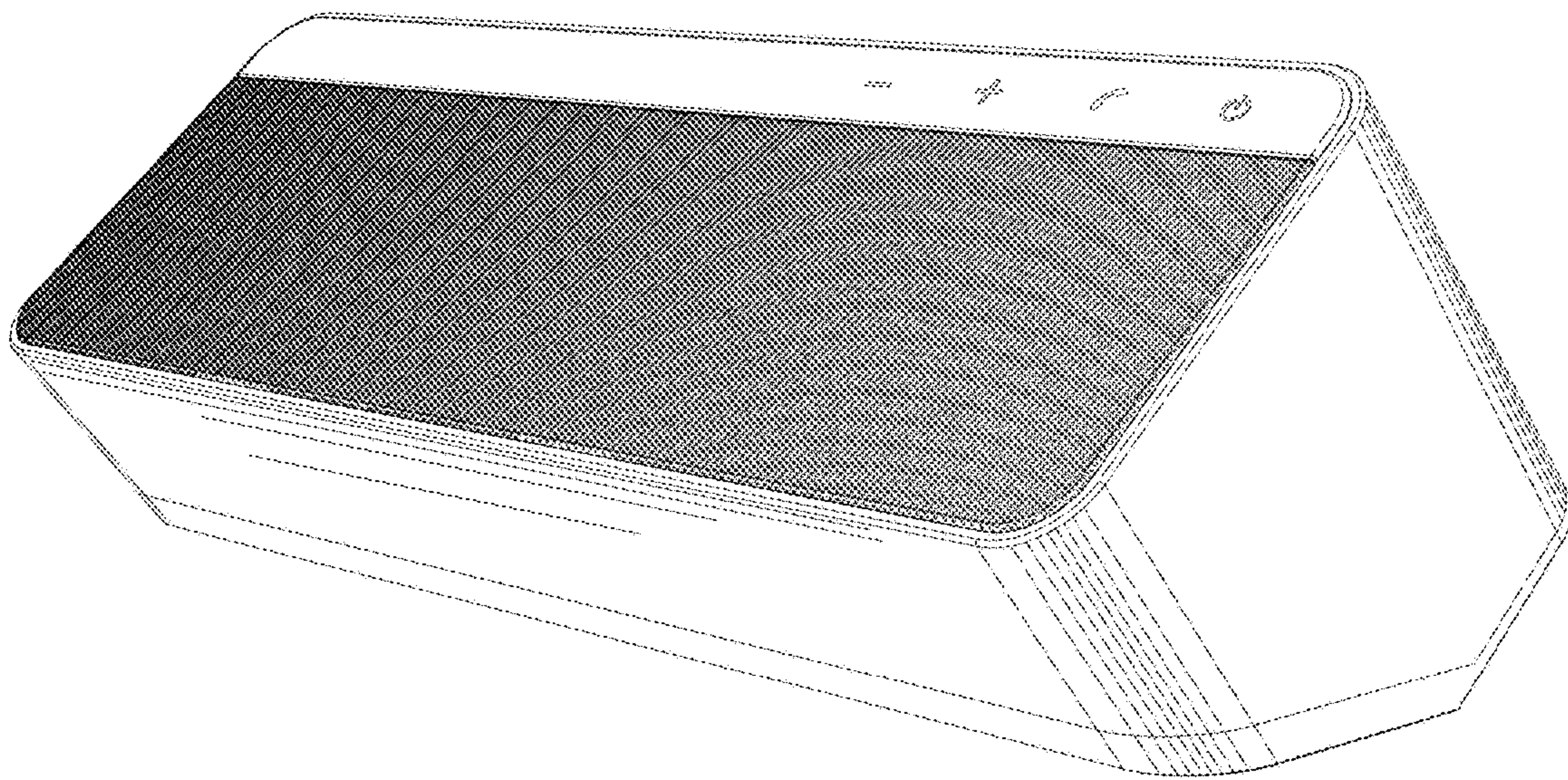


Fig. 1



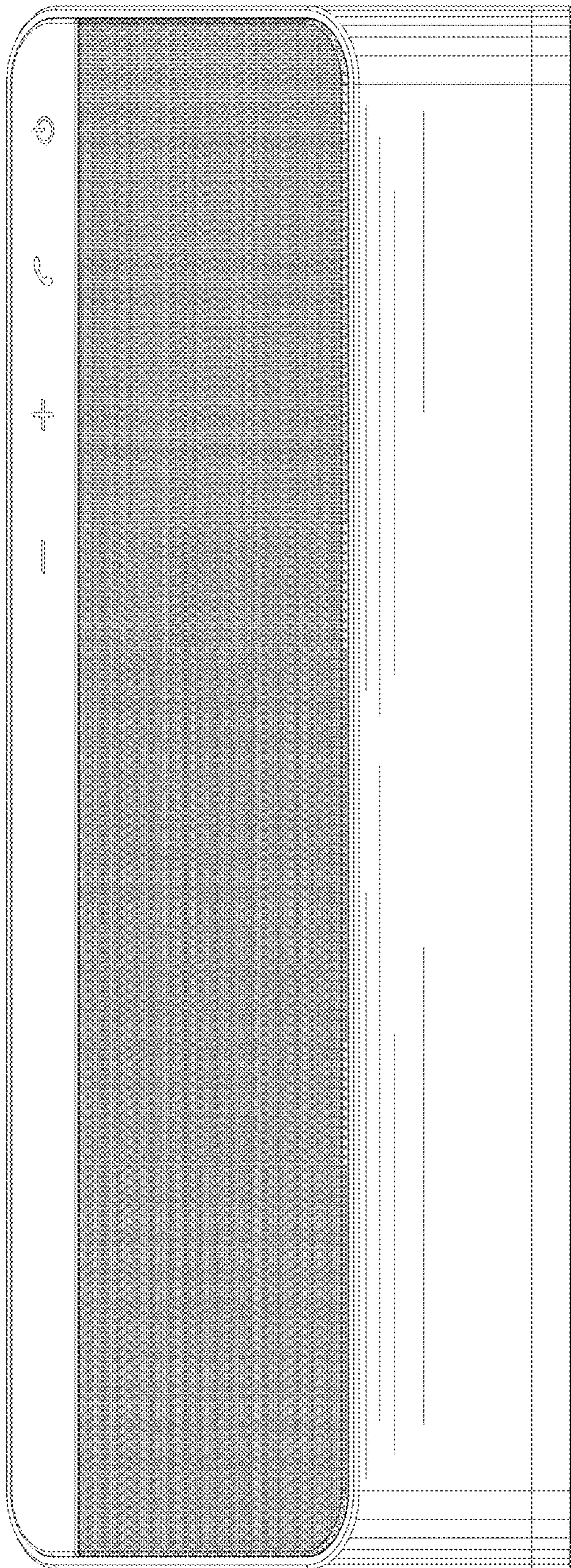


Fig. 2

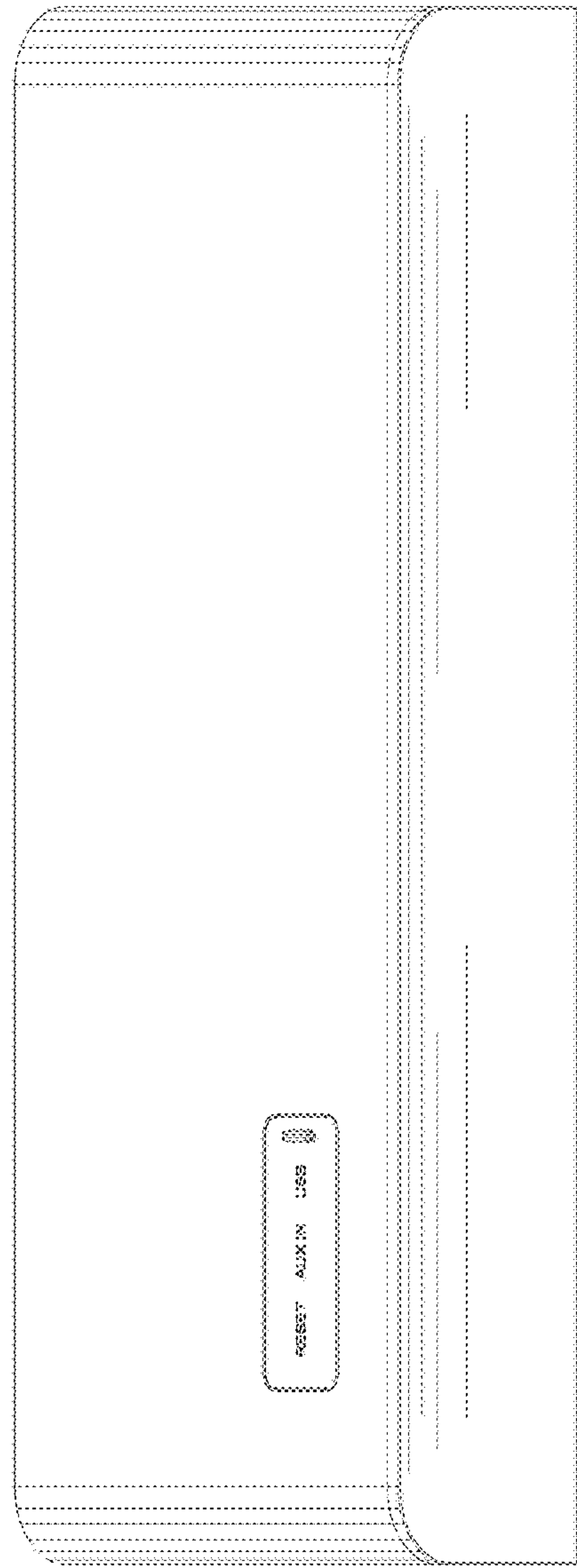


Fig. 3



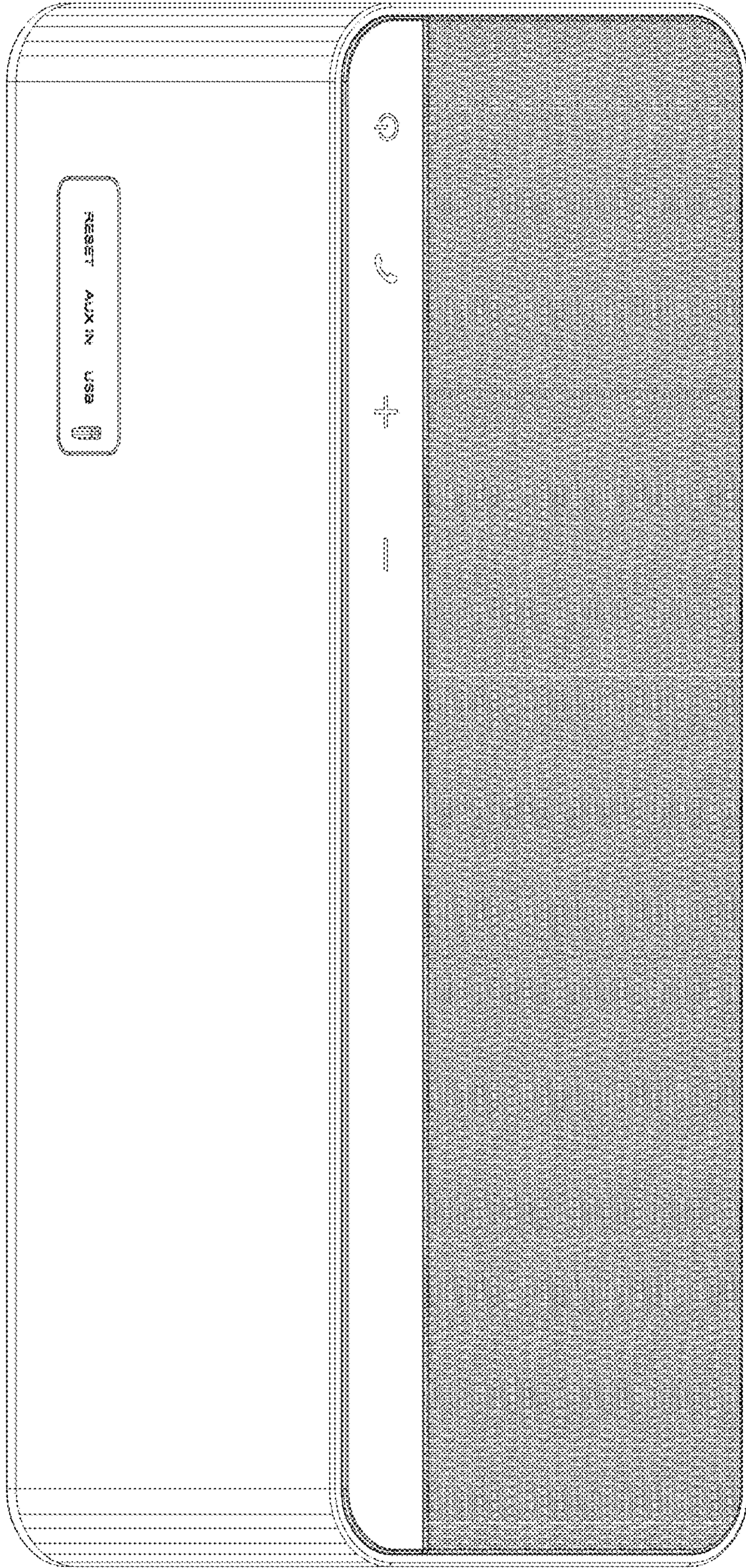


Fig. 4



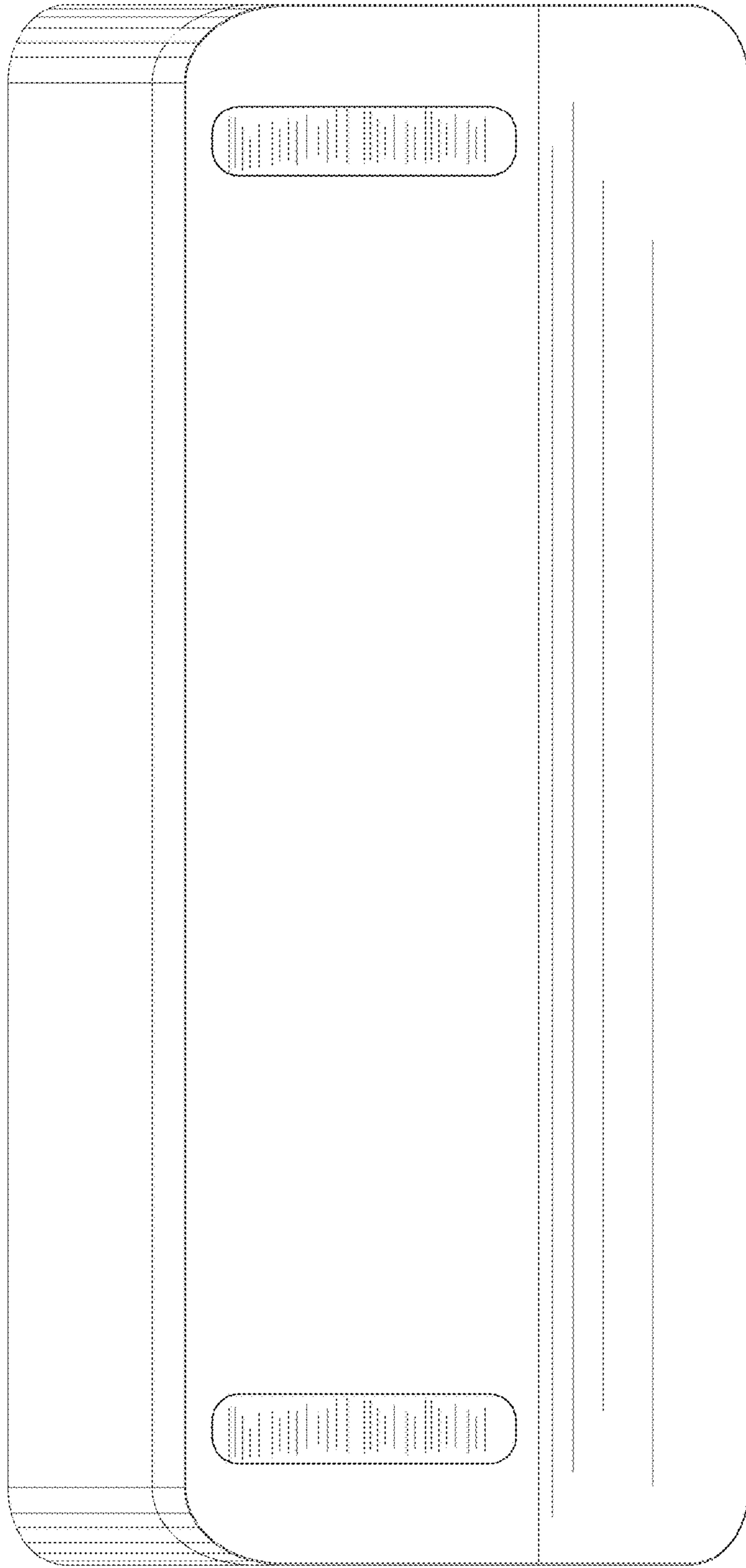


Fig. 5

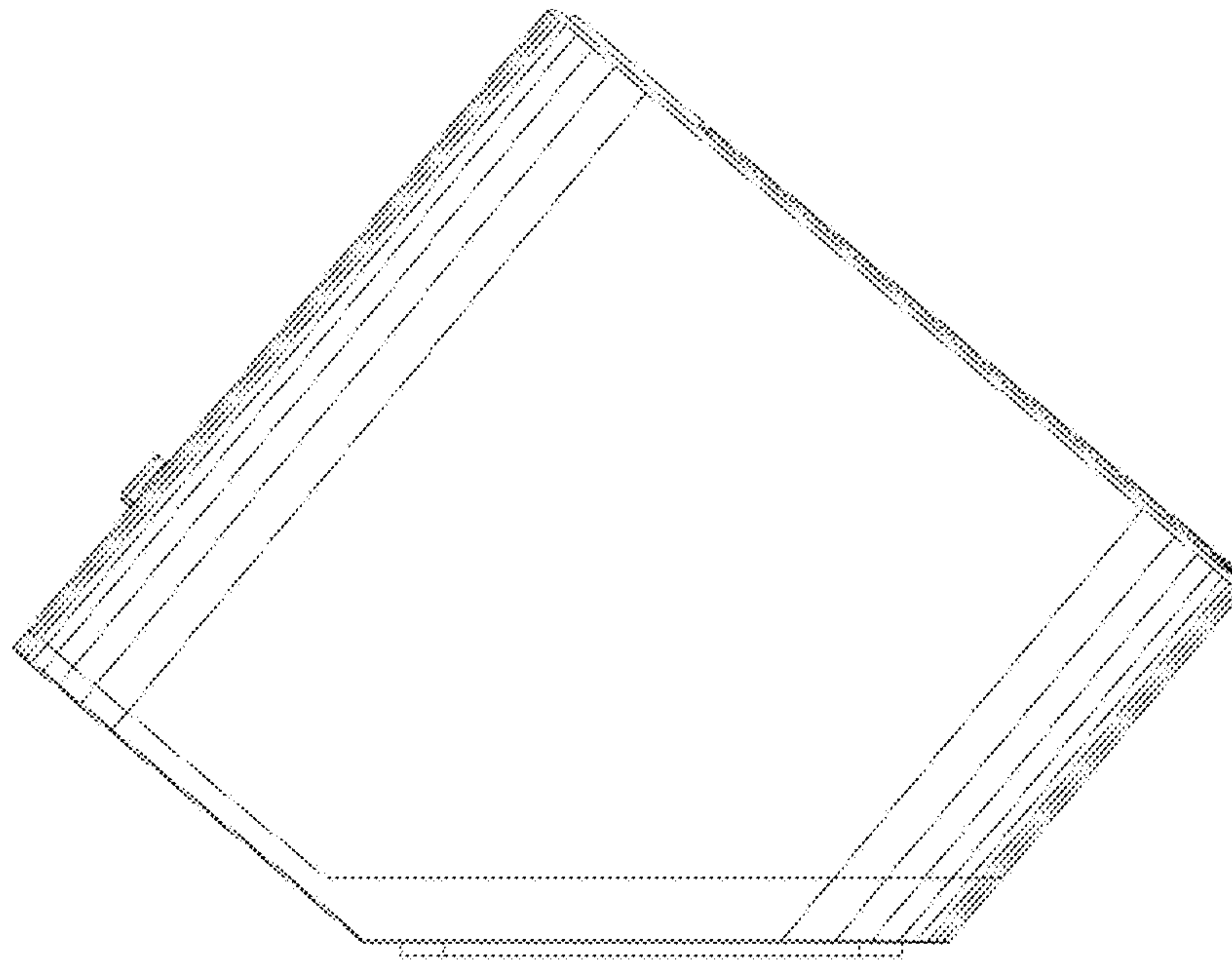


Fig. 6

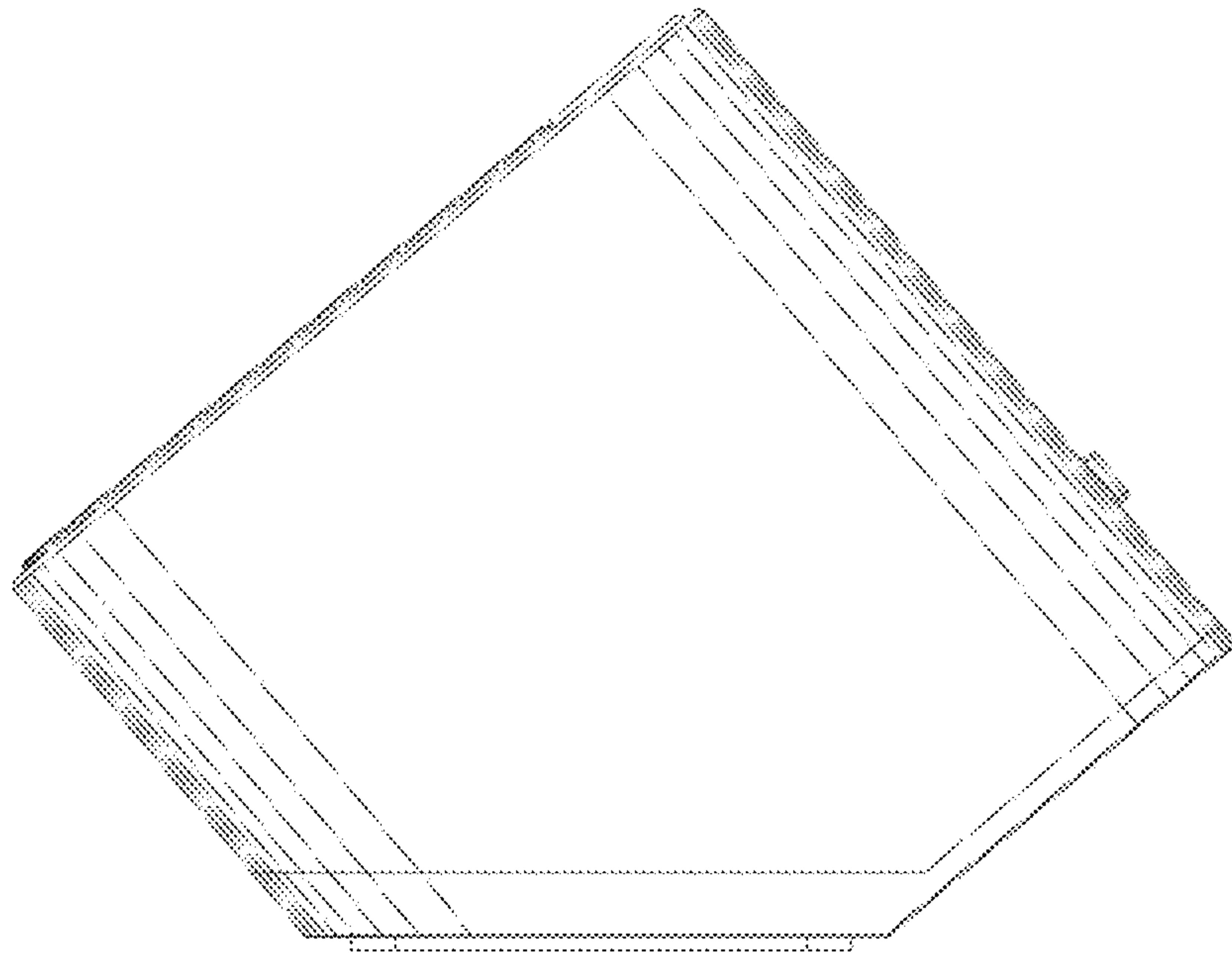


Fig. 7