



US00D800094S

(12) **United States Design Patent**
Hsu

(10) **Patent No.:** **US D800,094 S**
(45) **Date of Patent:** **** Oct. 17, 2017**

- (54) **LOUDSPEAKER DEVICE**
- (71) Applicant: **FINE TECH CORPORATION**, Tokyo (JP)
- (72) Inventor: **Chi-Nung Hsu**, New Taipei (TW)
- (73) Assignee: **FINE TECH CORPORATION**, Tokyo (JP)
- (**) Term: **15 Years**
- (21) Appl. No.: **29/577,502**
- (22) Filed: **Sep. 13, 2016**
- (51) **LOC (10) Cl.** **14-01**
- (52) **U.S. Cl.**
USPC **D14/207**
- (58) **Field of Classification Search**
USPC D14/204, 207, 210–216, 172, 209.1, D14/203.2, 189; 181/143, 144, 147, 148, 181/150–153, 157, 198, 199; 381/300–303, 306, 332, 333, 336, 345, 381/361–364, 386–388; D11/160, 162, D11/606–609, 832; 455/344–347; 369/6–12; D9/683, 500, 738, 763; D7/300, 601–606
CPC H04R 1/00; H04R 1/02; H04R 2400/00; H05K 5/00
See application file for complete search history.

D659,122 S *	5/2012	Chen	D14/215
D672,335 S *	12/2012	Yu	D14/215
D690,285 S *	9/2013	Breines	D14/207
D724,053 S *	3/2015	Breines	D14/207
D726,683 S *	4/2015	Breines	D14/207
D731,459 S *	6/2015	Paslawski	D14/207
D740,790 S *	10/2015	Judd	D14/213
D751,531 S *	3/2016	Bearsch	D14/207

* cited by examiner

Primary Examiner — Prabhakar Deshmukh
(74) *Attorney, Agent, or Firm* — Steven Reiss

(57) **CLAIM**

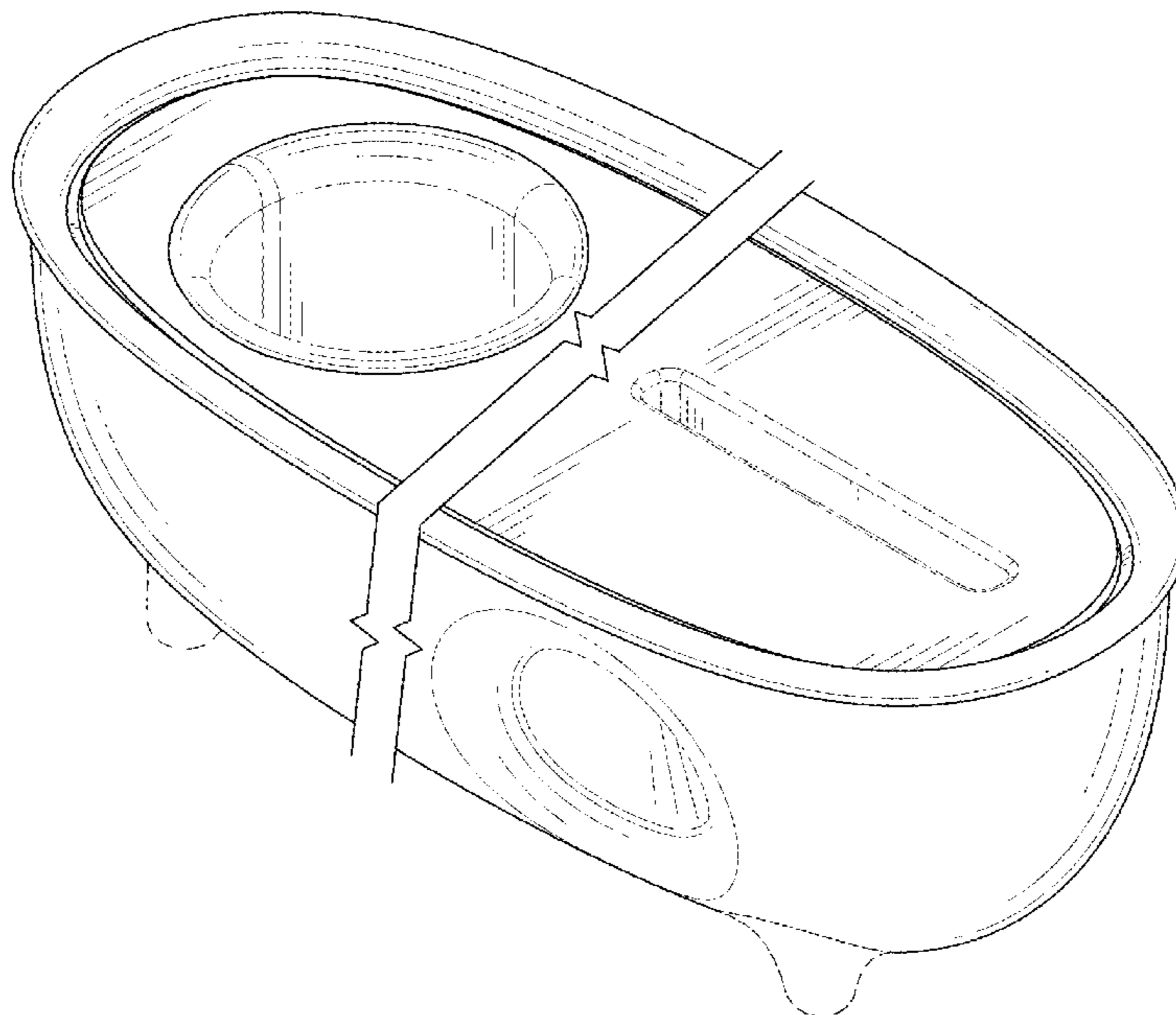
The ornamental design for a loudspeaker device, as shown and described.

DESCRIPTION

FIG. 1 is a perspective view of a loudspeaker device showing my design.
 FIG. 2 is a front elevational view thereof.
 FIG. 3 is a rear elevational view thereof.
 FIG. 4 is a left-side elevational view thereof.
 FIG. 5 is a right-side elevational view thereof.
 FIG. 6 is a top plan view thereof; and,
 FIG. 7 is a bottom plan view thereof.
 Each break in the figures along the body of the loudspeaker device indicates that the loudspeaker device can be of any length. Those breaks are provided for illustrative purposes only, and the breaks form no part of the claimed design. The portions between these break lines form no part of the claimed design.
 The broken lines are for illustrative purposes only and form no part of the claimed designs.

1 Claim, 7 Drawing Sheets

- (56) **References Cited**
U.S. PATENT DOCUMENTS
5,444,194 A * 8/1995 Reinke H04R 1/028
181/150
6,152,257 A * 11/2000 Denham H04R 1/345
181/144



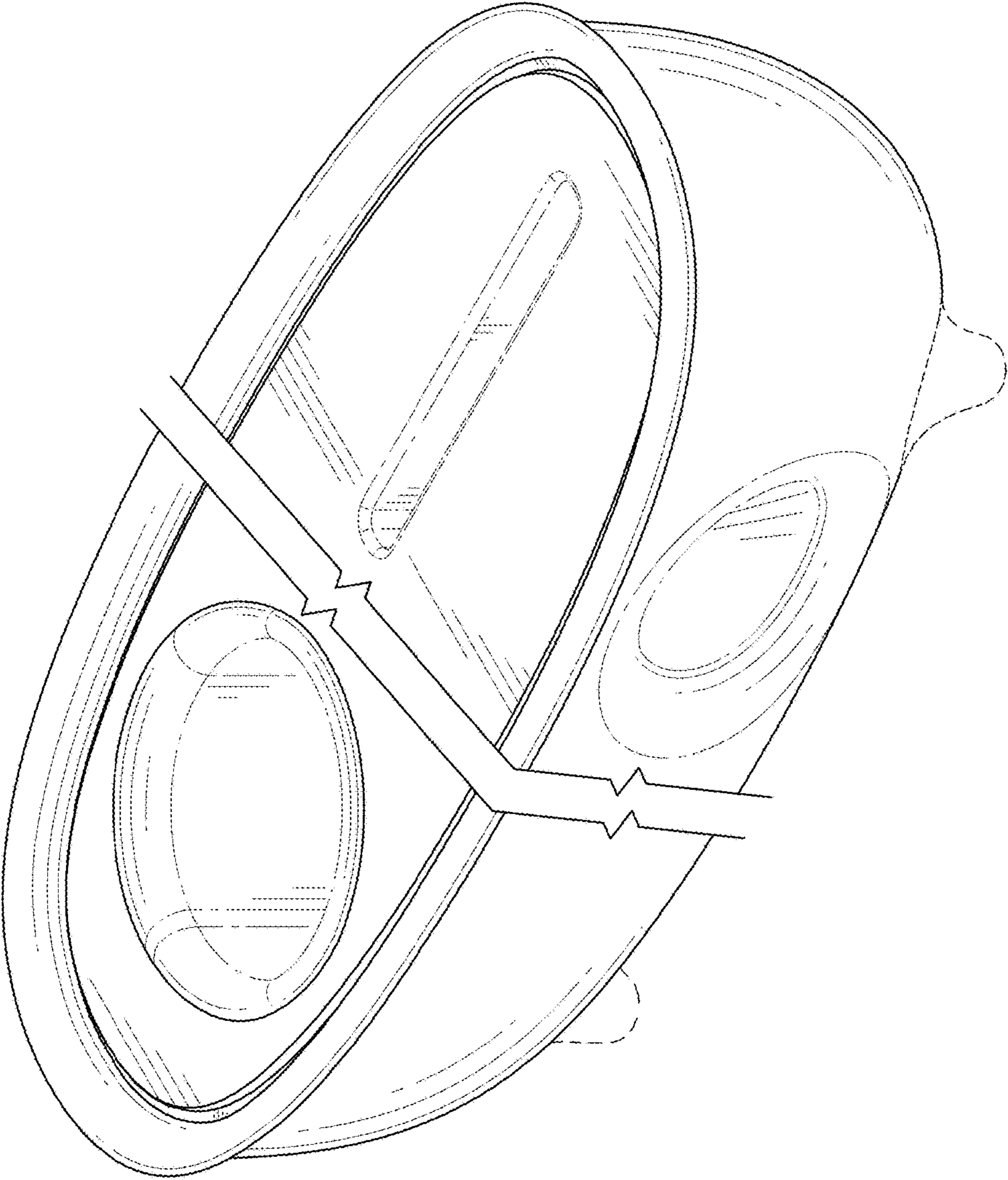


FIG. 1

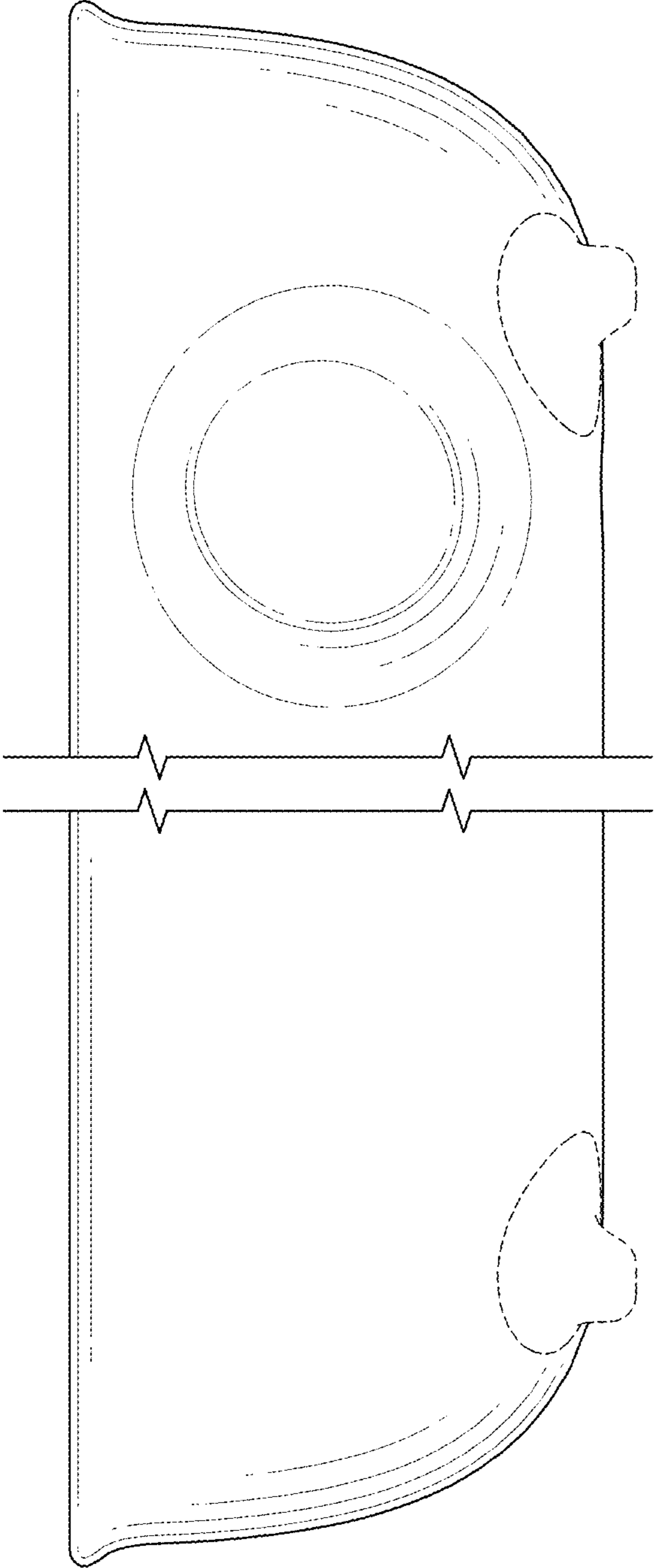


FIG. 2

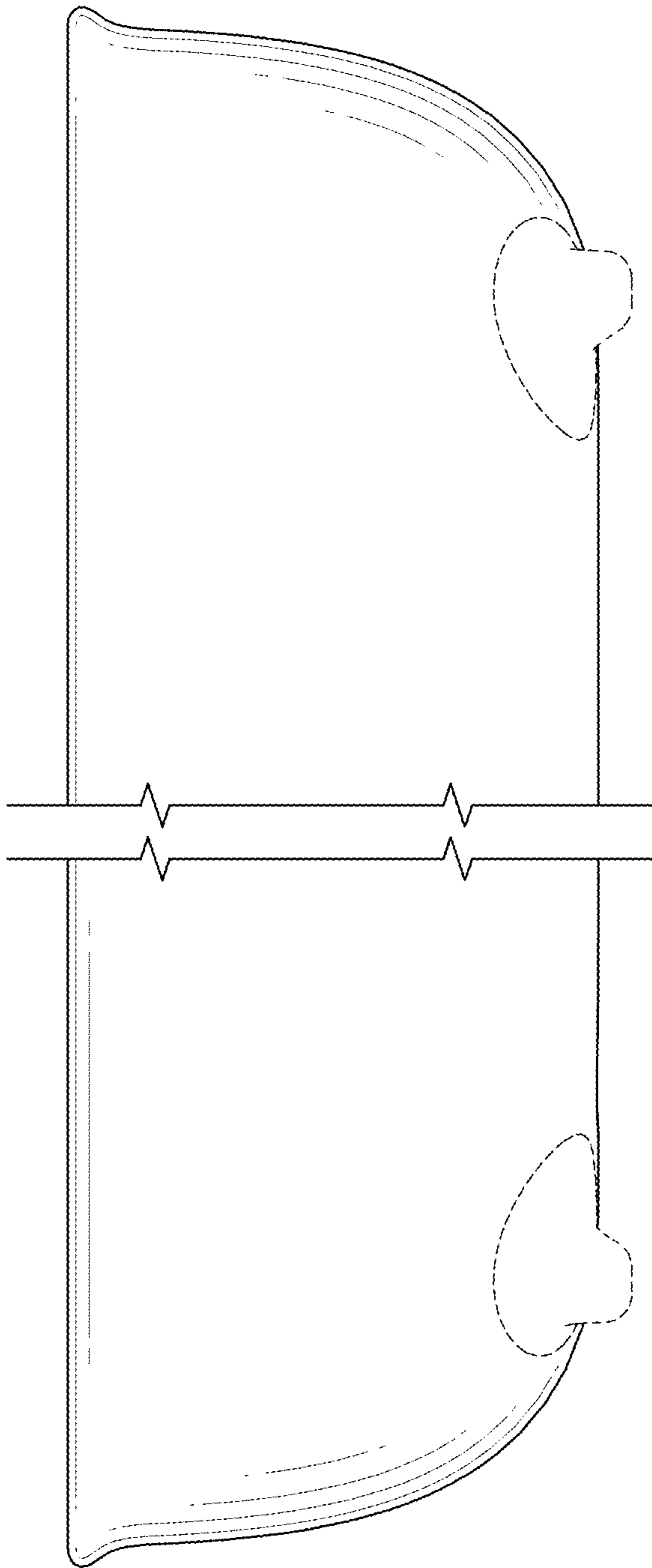


FIG. 3

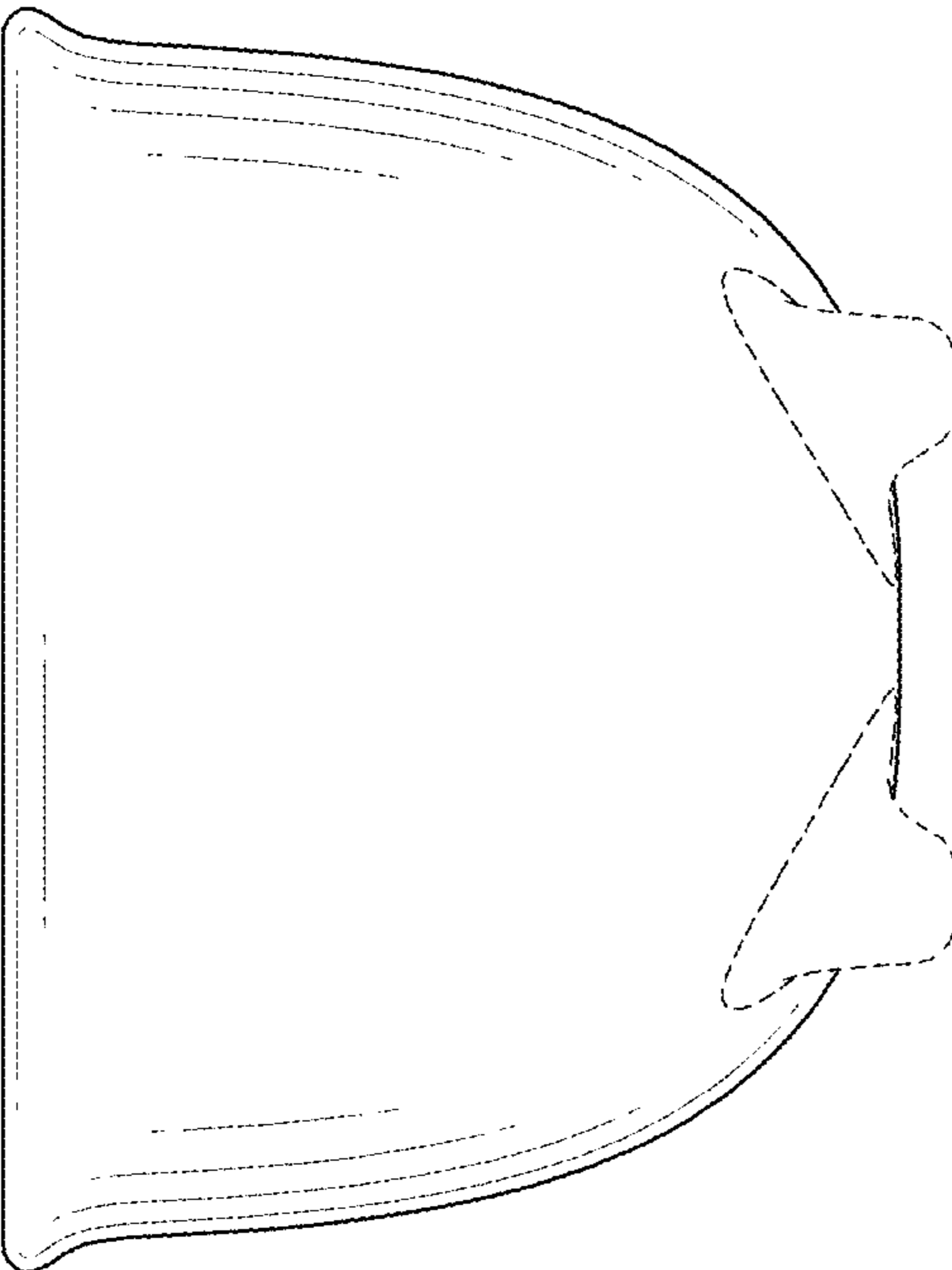


FIG. 4

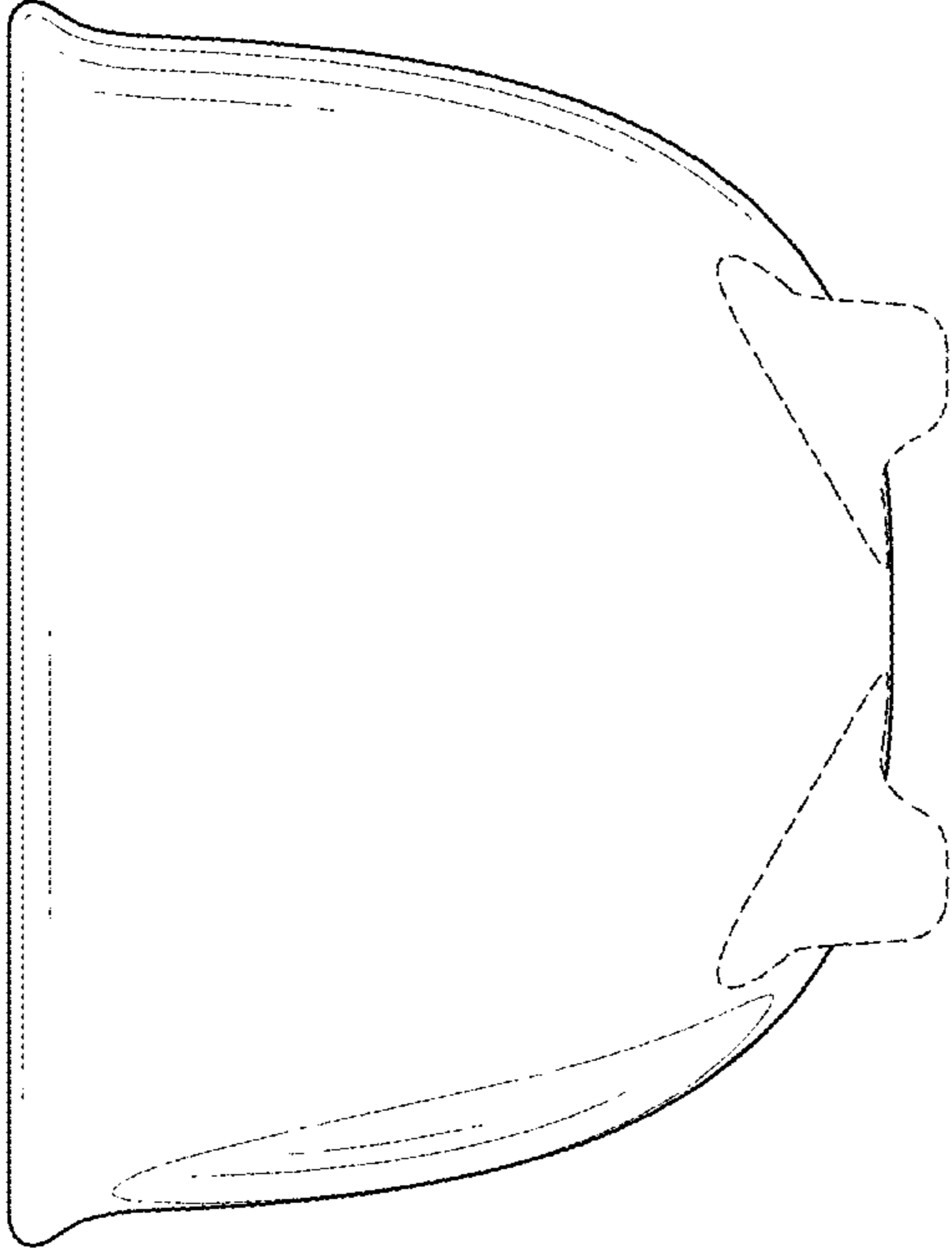


FIG. 5

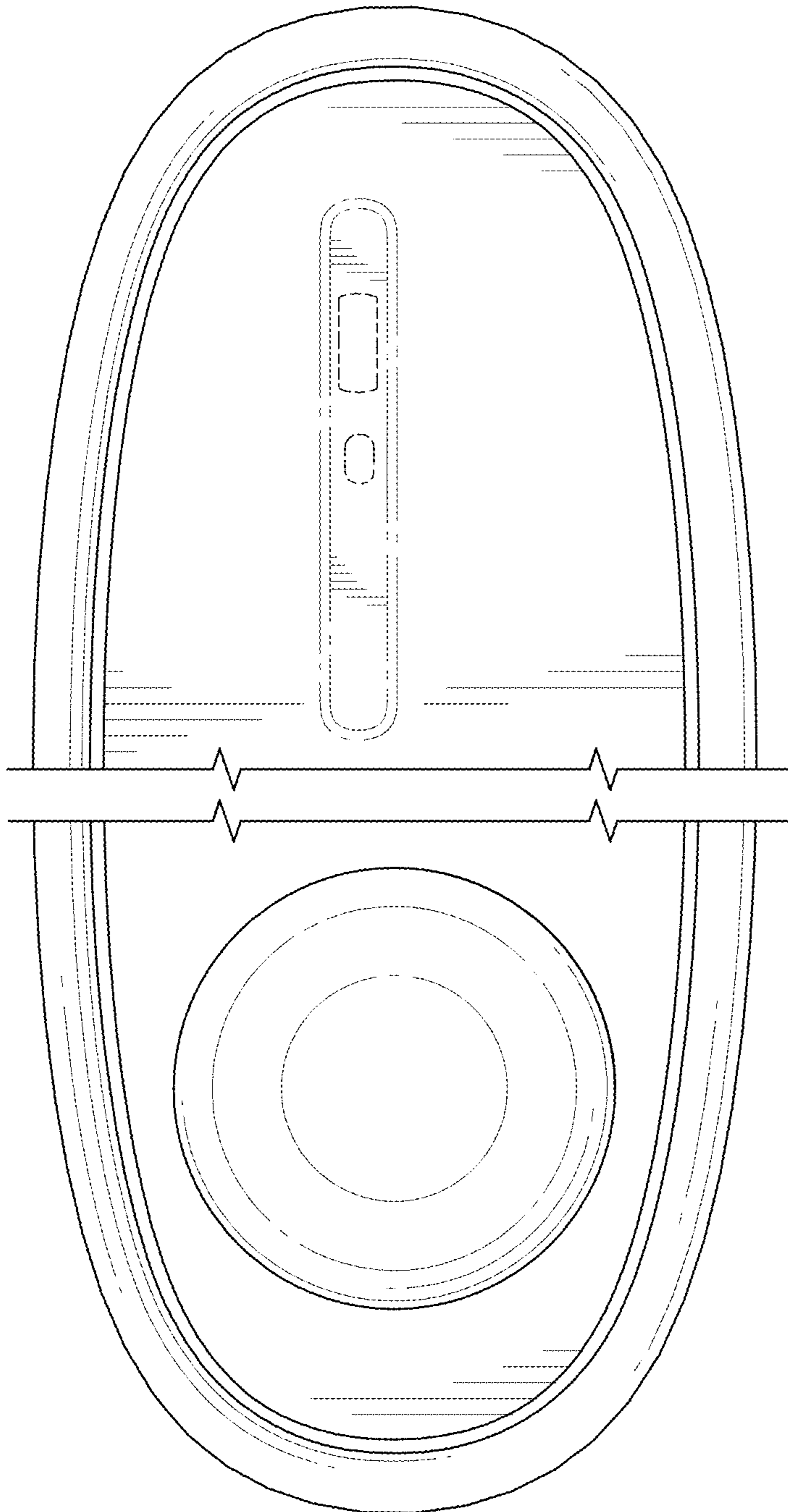


FIG. 6

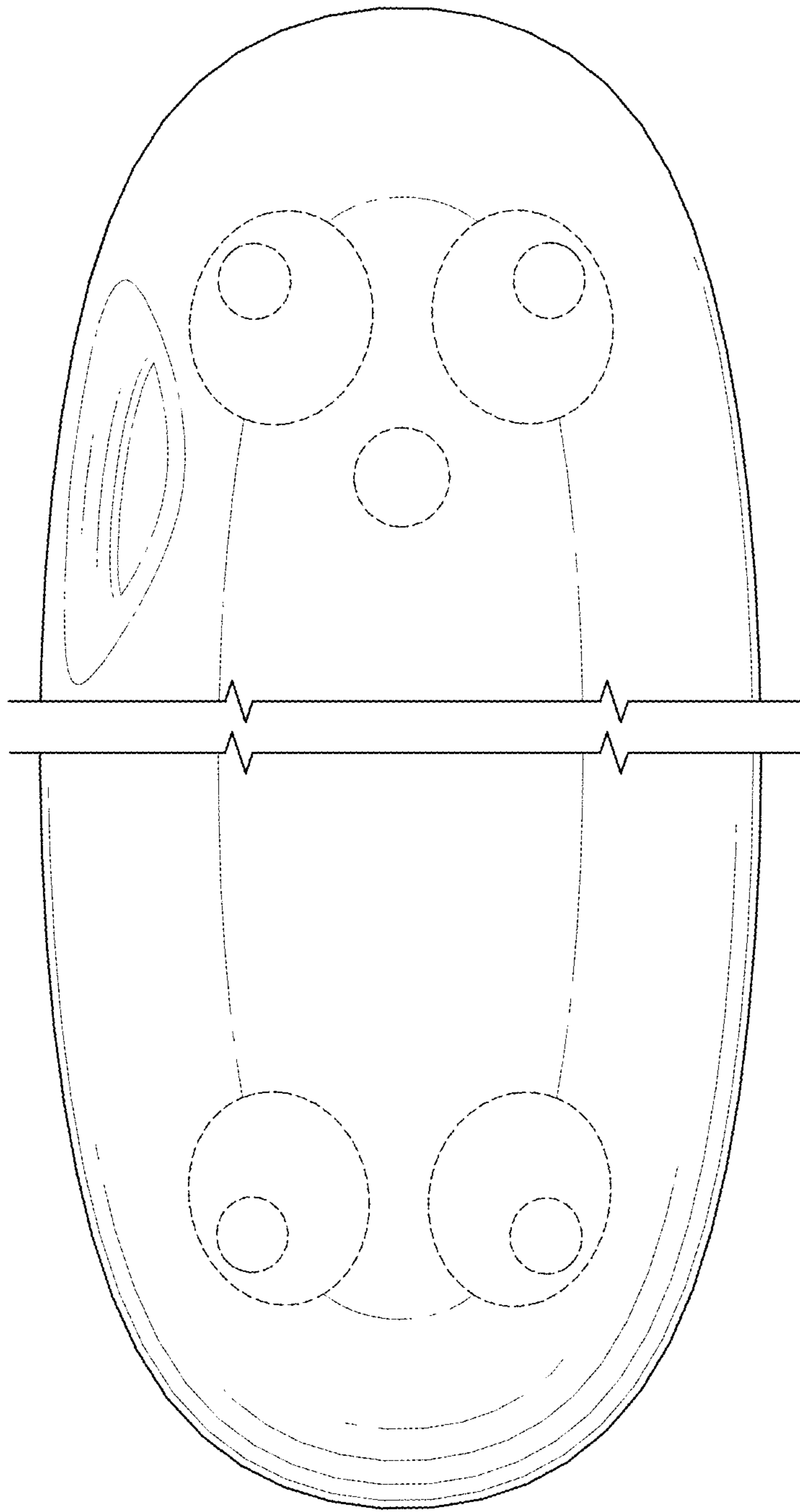


FIG. 7