



US00D800093S

(12) **United States Design Patent**
Zhou

(10) **Patent No.:** **US D800,093 S**
(45) **Date of Patent:** **** Oct. 17, 2017**

(54) **WIRELESS HEADSET**

(71) Applicant: **Shenzhen Qintong Technology Limited**, Shenzhen, Guangdong (CN)

(72) Inventor: **Shengling Zhou**, Guangdong (CN)

(73) Assignee: **Shenzhen Qintong Technology Limited**, Shenzhen (CN)

(**) Term: **15 Years**

(21) Appl. No.: **29/555,460**

(22) Filed: **Feb. 22, 2016**

(51) **LOC (10) Cl.** **14-01**

(52) **U.S. Cl.**
USPC **D14/207; D14/223**

(58) **Field of Classification Search**
USPC D14/223, 207; D11/204, 48, 70, 79, 81, D11/114, 125, 131, 132; D21/725, 339, D21/312, 313, 315, 318, 401, 406, 402, D21/400, 713, 712, 707; D7/901, 628, D7/515; D9/668, 624, 631; D19/96, 97, D19/82, 42, 46, 65; 446/220, 175, 242; 473/453; D26/5, 67, 7; D6/677; 181/129, 130, 131; 379/430, 431; 381/380, 381
CPC H04R 1/10; H04R 25/00; H04R 1/105; H04R 5/0335; H04R 5/033; H04R 1/1016; H04R 1/1066
See application file for complete search history.

(56) **References Cited**

U.S. PATENT DOCUMENTS

D44,053 S * 5/1913 Clarke D11/114
1,124,896 A * 1/1915 Hartman A45C 1/12
232/4 R
D47,473 S * 6/1915 Reitler D19/155
D47,852 S * 9/1915 Kulow D19/155
1,549,790 A * 8/1925 Neusella A63H 27/10
446/220

(Continued)

Primary Examiner — Paula Greene

(74) *Attorney, Agent, or Firm* — Michael Best & Friedrich LLP

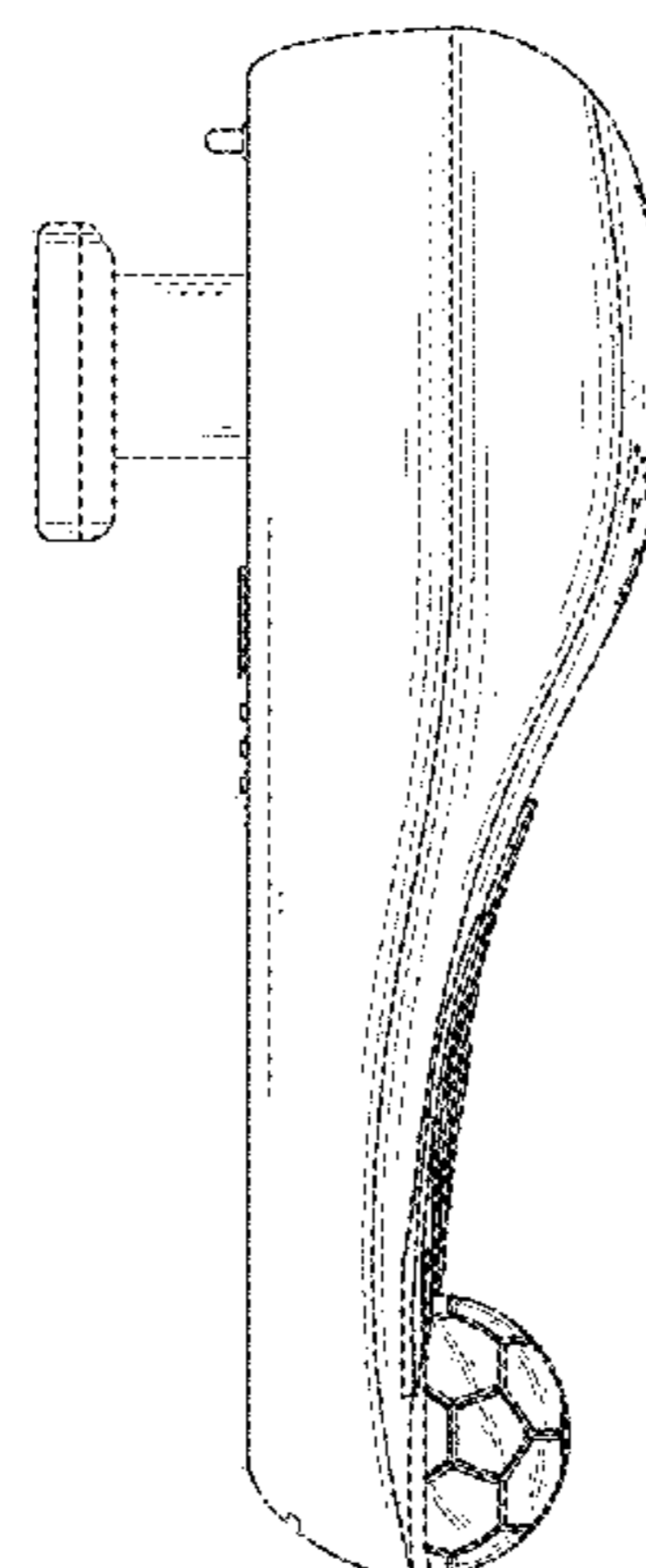
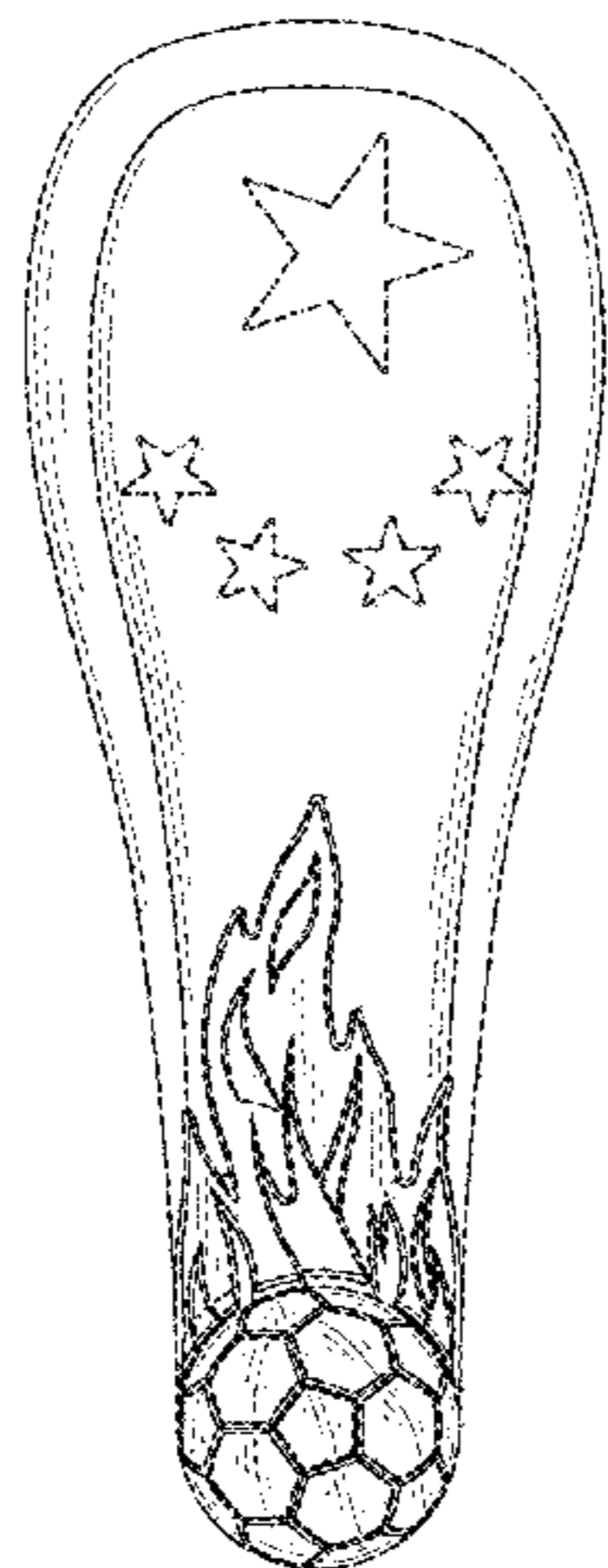
(57) **CLAIM**

The ornamental design for wireless headset, as shown and described.

DESCRIPTION

FIG. 1 is a front view of a portion of a wireless headset. FIG. 2 is a rear view of the portion of the wireless headset of FIG. 1. FIG. 3 is a left side view of the portion of the wireless headset of FIG. 1. FIG. 4 is a right side view of the portion of the wireless headset of FIG. 1. FIG. 5 is a bottom view of the portion of the wireless headset of FIG. 1. FIG. 6 is a top view of the portion of the wireless headset of FIG. 1. FIG. 7 is a perspective view of the portion of the wireless headset of FIG. 1. FIG. 8 is a front view of a portion of a wireless headset. FIG. 9 is a rear view of the portion of the wireless headset of FIG. 8. FIG. 10 is a left side view of the portion of the wireless headset of FIG. 8. FIG. 11 is a right side view of the portion of the wireless headset of FIG. 8. FIG. 12 is a bottom view of the portion of the wireless headset of FIG. 8. FIG. 13 is a top view of the portion of the wireless headset of FIG. 8; and, FIG. 14 is a perspective view of the portion of the wireless headset of FIG. 8. The broken line showing of the environment is for illustrative purposes only and forms no part of the claimed design.

1 Claim, 14 Drawing Sheets



(56)

References Cited

U.S. PATENT DOCUMENTS

D128,625 S *	8/1941	Fischer	206/232	D490,747 S *	6/2004	Banman	D11/160
D151,599 S *	11/1948	Colm	428/11	D492,667 S	7/2004	Skulley et al.	
D151,600 S *	11/1948	Colm	428/11	D504,706 S *	5/2005	Bennett	D21/398
D155,152 S *	9/1949	Greenstein et al.	D19/155	D512,049 S *	11/2005	Yang	D14/205
3,122,365 A *	2/1964	August	A63B 69/0002	D512,991 S *	12/2005	Yano	D14/223
			473/453	D517,422 S *	3/2006	Cella	D9/624
D199,535 S *	11/1964	Doss	D21/713	7,089,042 B2	8/2006	Bodley	
3,624,939 A	12/1971	Gossard		D566,099 S *	4/2008	Komiyama	D14/206
4,454,204 A *	6/1984	Posey	A63H 5/00	D568,301 S *	5/2008	Kim	D14/205
			428/11	D568,876 S *	5/2008	Tsai	D14/223
D288,258 S *	2/1987	Oden	D11/157	D573,140 S *	7/2008	Tsai	D14/205
D290,729 S *	7/1987	Einhorn	D21/725	D597,084 S	7/2009	Gondo	
D293,690 S *	1/1988	Adler	D19/78	D603,380 S *	11/2009	Hutchieson	D14/223
4,917,504 A	4/1990	Scott et al.		D606,041 S *	12/2009	Prasad	D14/207
D309,306 S	7/1990	Weiser et al.		D622,327 S *	8/2010	Roos	D21/398
D311,074 S	10/1990	Scott et al.		D626,117 S *	10/2010	Lowry	D14/223
D317,610 S *	6/1991	Jahnke	D14/205	D651,195 S	12/2011	Quek	
5,037,346 A *	8/1991	Cimock	A63H 33/00	D653,244 S *	1/2012	Birger	D14/223
			362/806	D653,649 S	2/2012	Yang et al.	
D340,073 S	10/1993	Turner		8,111,861 B2	2/2012	Lowry	
5,285,530 A	2/1994	Nardone, Jr		D662,493 S *	6/2012	Chen	D14/223
D346,882 S	5/1994	Bryerton, Sr.		D662,915 S	7/2012	Halkosaari et al.	
D354,199 S *	1/1995	Rigsby	D7/514	D666,581 S *	9/2012	Perez	D14/223
D357,500 S *	4/1995	Mutterperl	D19/122	D674,373 S	1/2013	Combs et al.	
D357,921 S *	5/1995	Ming-Chin	D14/223	D681,013 S	4/2013	Massaro	
D367,113 S *	2/1996	Weeks	D24/174	D690,681 S	10/2013	Ito et al.	
D406,378 S *	3/1999	Walters	D11/157	D695,276 S	12/2013	Chee	
D407,089 S	3/1999	Norin		D715,775 S *	10/2014	Rueskov	D14/221
5,953,435 A *	9/1999	Mullin	H04R 1/105	D722,911 S *	2/2015	Nelson	D11/60
			381/328	9,084,054 B2	7/2015	Prelogar et al.	
D415,861 S *	10/1999	Marshall	D29/112	D752,647 S *	3/2016	Matsumura	D14/132
D419,058 S	1/2000	Roth et al.		D780,162 S *	2/2017	Kwak	D14/223
D422,646 S *	4/2000	Palardis	D21/406	2004/0077264 A1 *	4/2004	Walker	A63H 33/26
D448,282 S *	9/2001	O'Hair	D7/901				446/175
D459,749 S *	7/2002	Cohen	D17/22	2004/0101151 A1 *	5/2004	Webber	H04R 1/105
6,558,022 B2 *	5/2003	Kawahara	F21S 10/007				381/328
			362/257	2008/0260196 A1 *	10/2008	Tsai	H04R 1/1008
							381/380
				2012/0277043 A1	11/2012	Rodrigues	
				2014/0220893 A1	8/2014	Zhou	

* cited by examiner

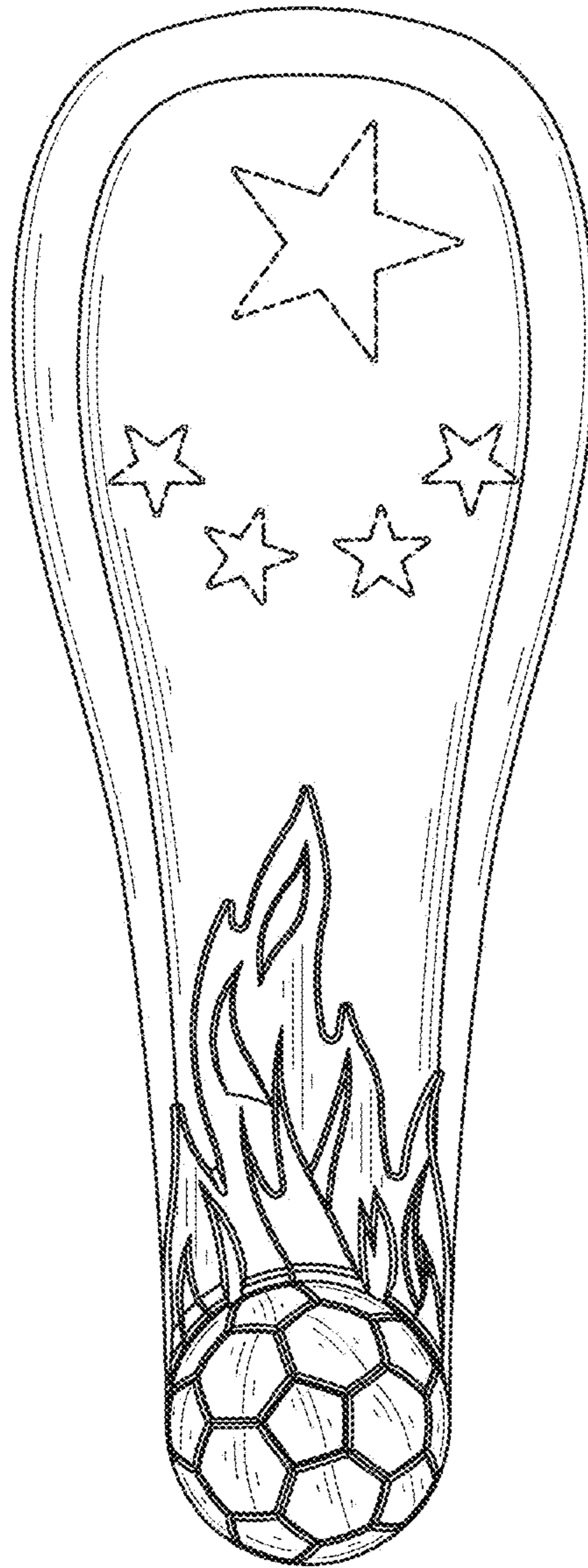


FIG. 1

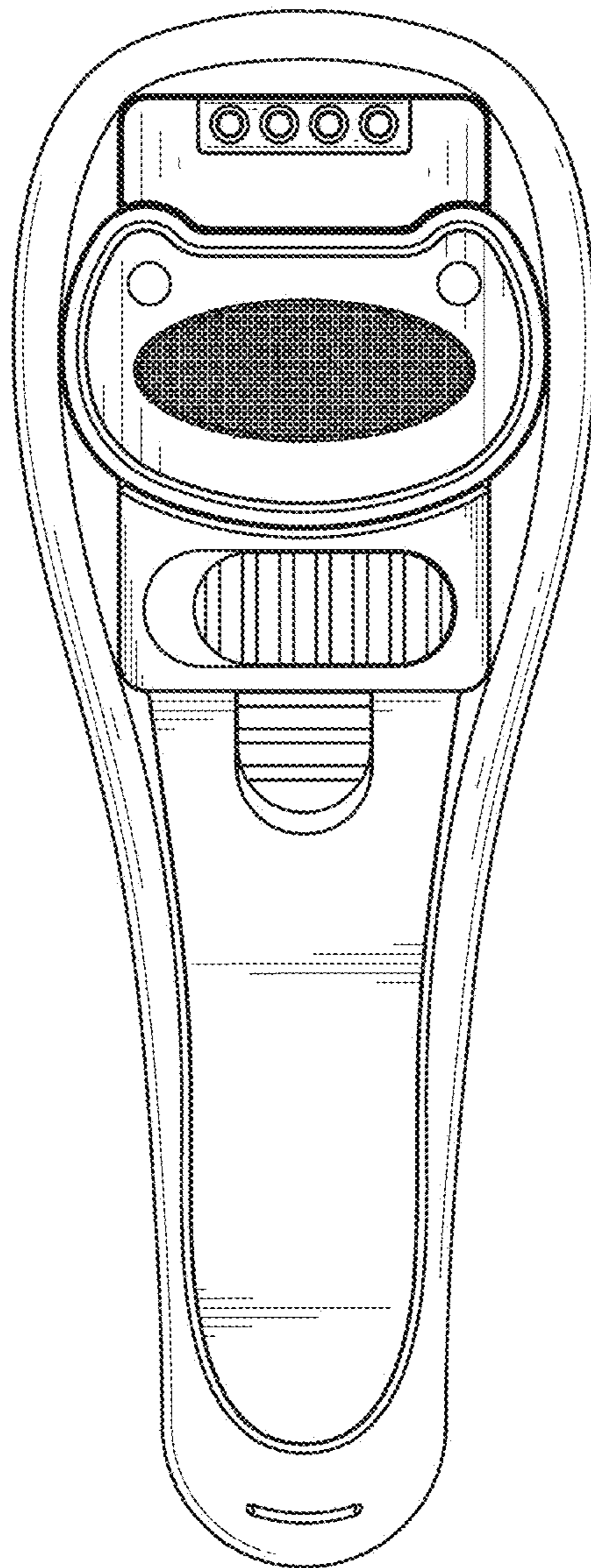


FIG. 2

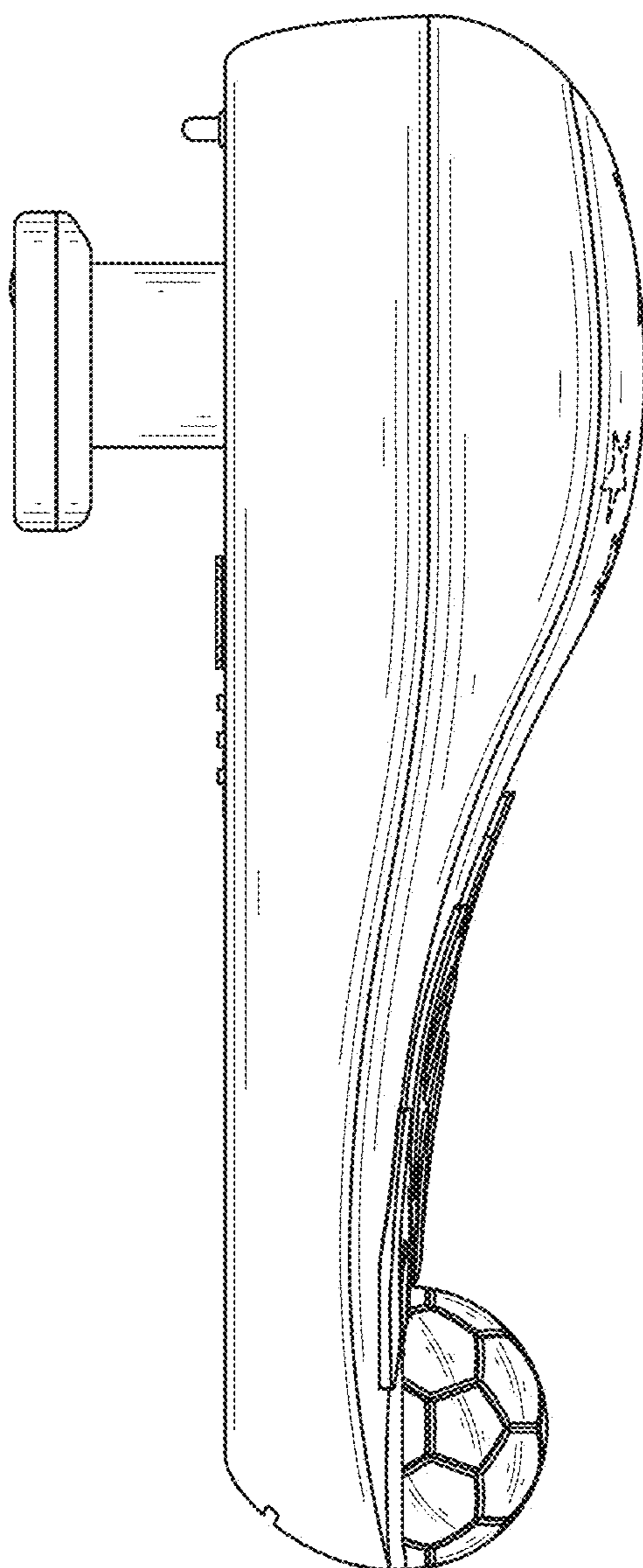


FIG. 3

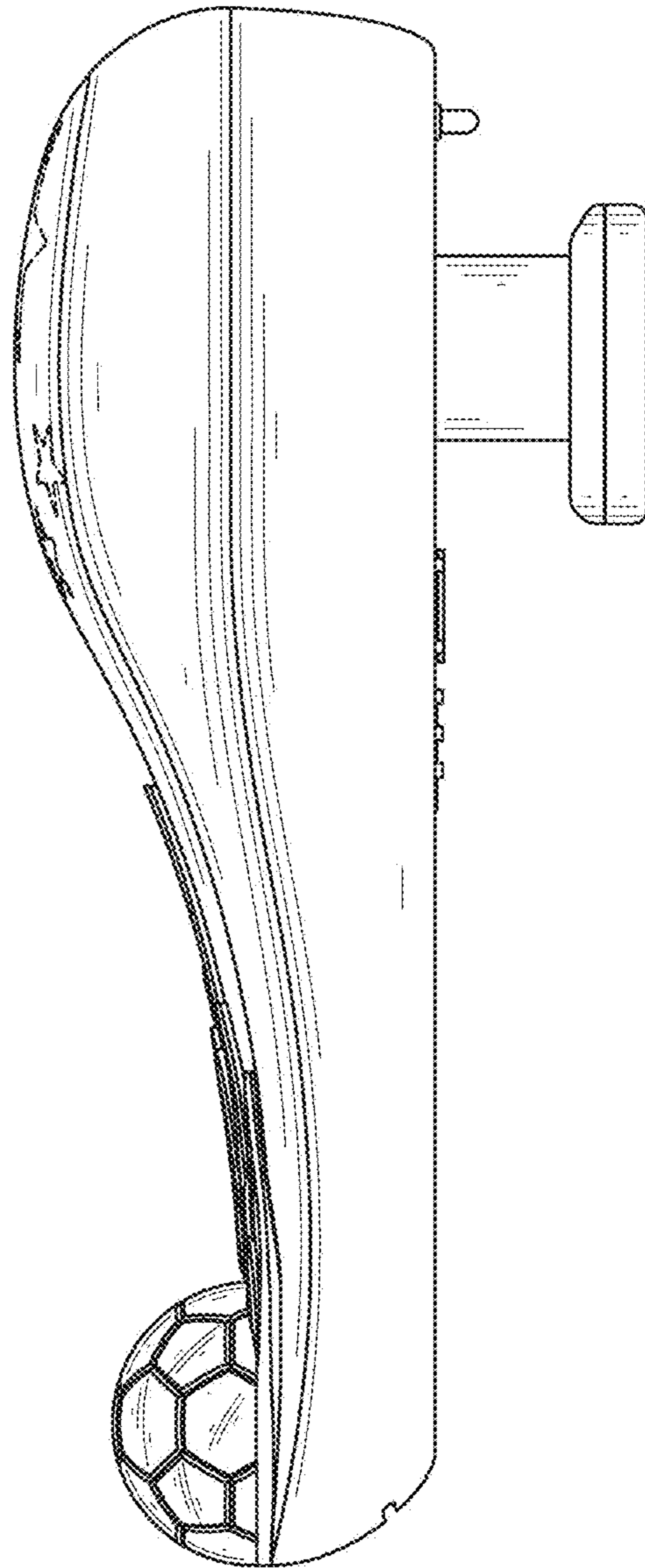


FIG. 4

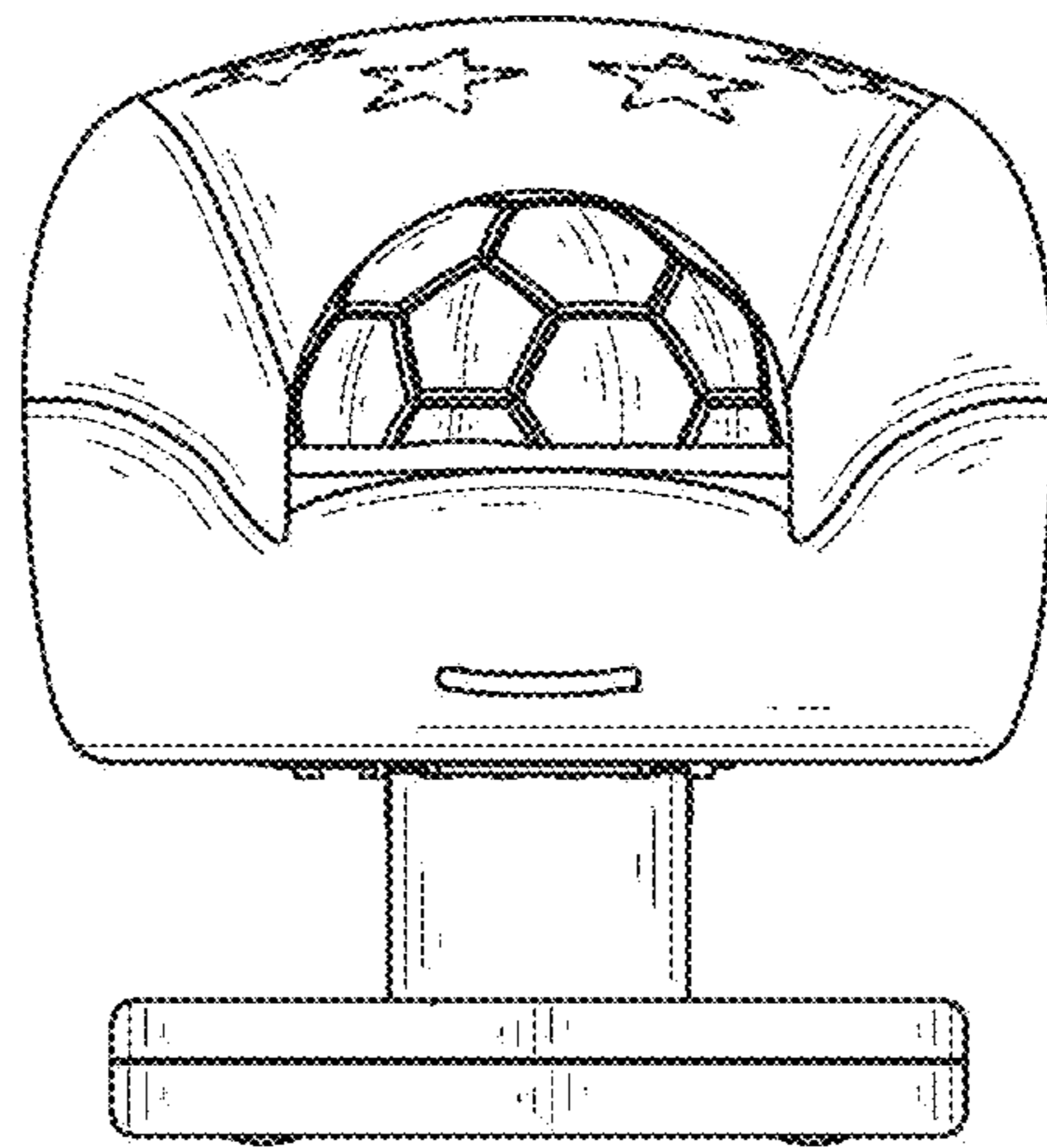


FIG. 5

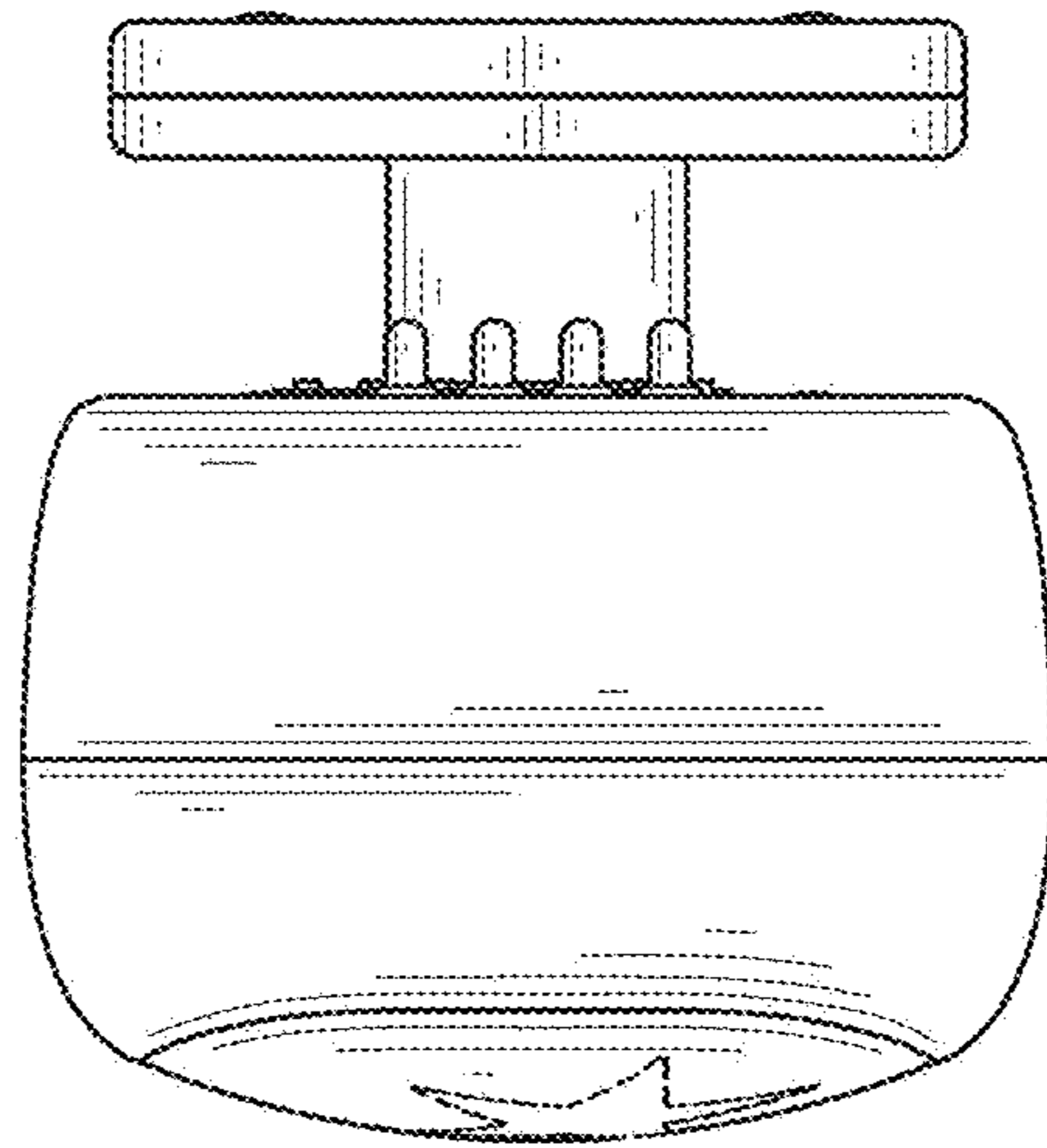


FIG. 6



FIG. 7

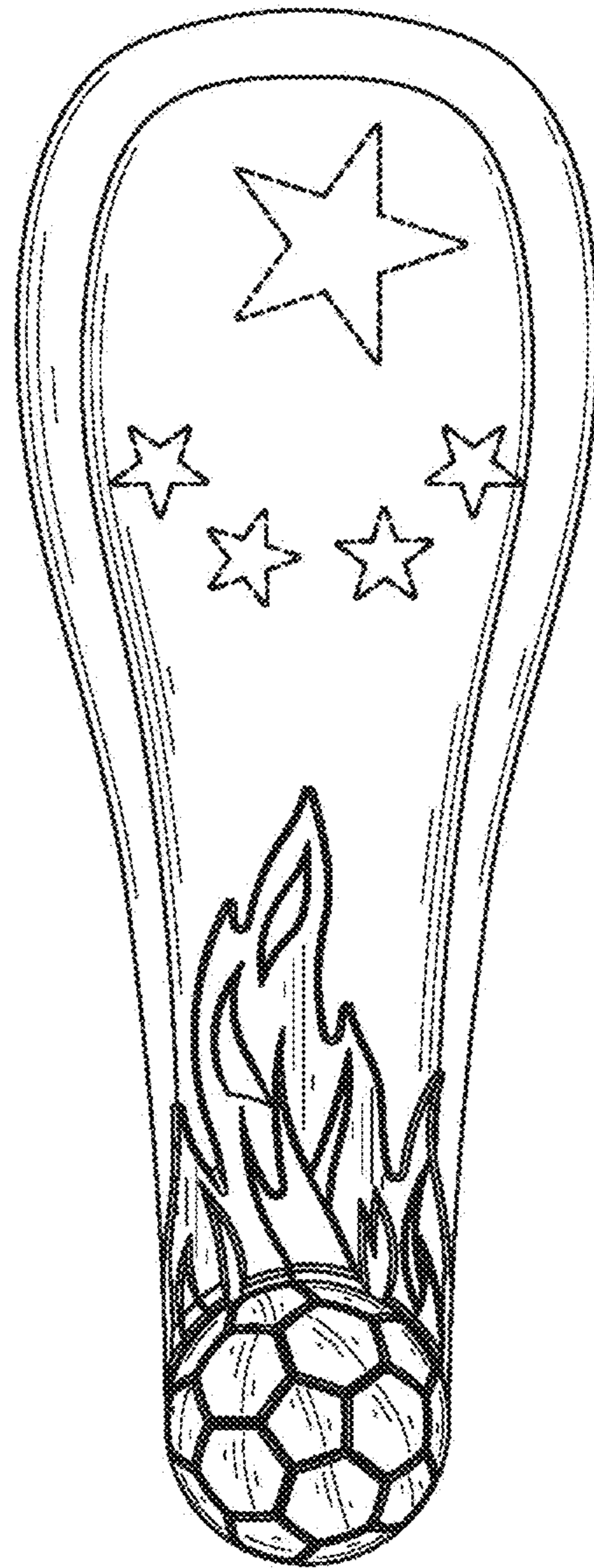


FIG. 8

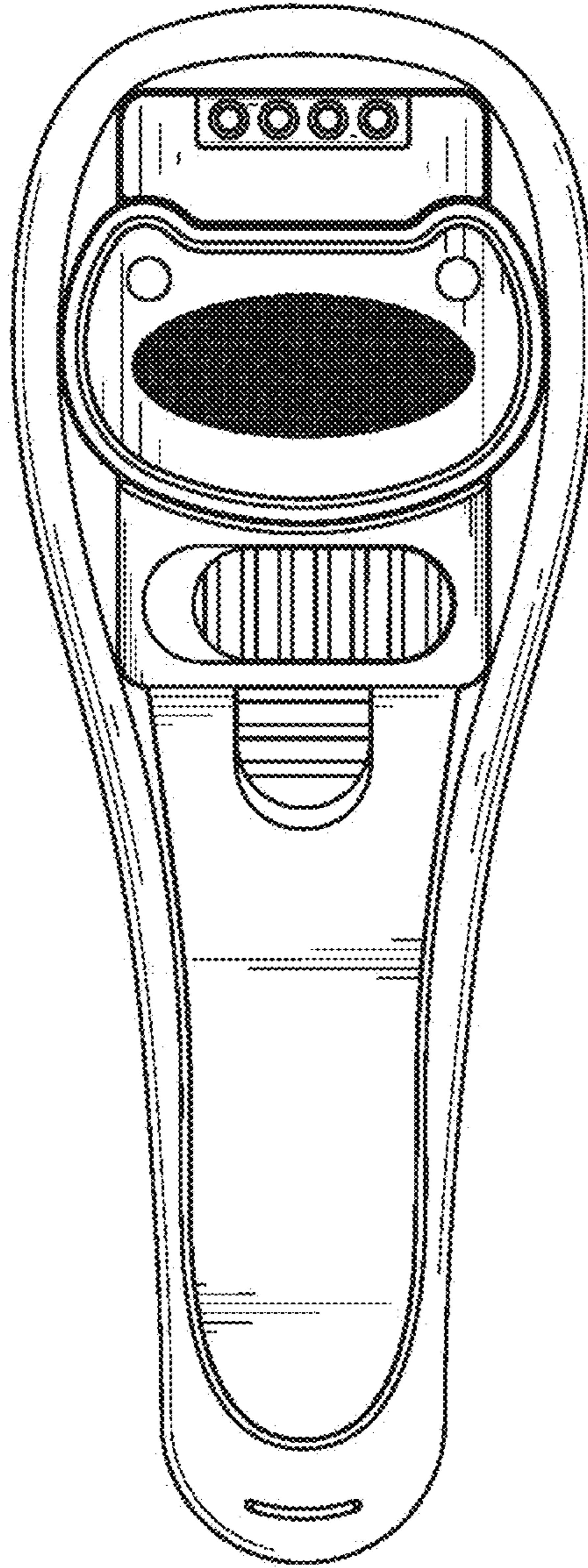


FIG. 9

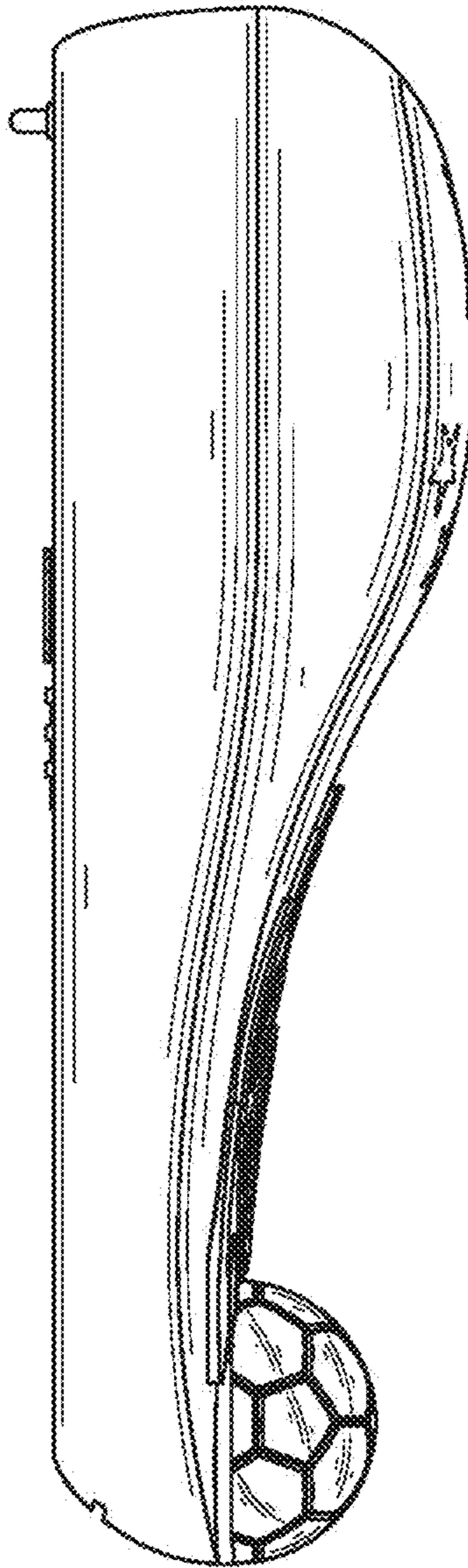


FIG. 10

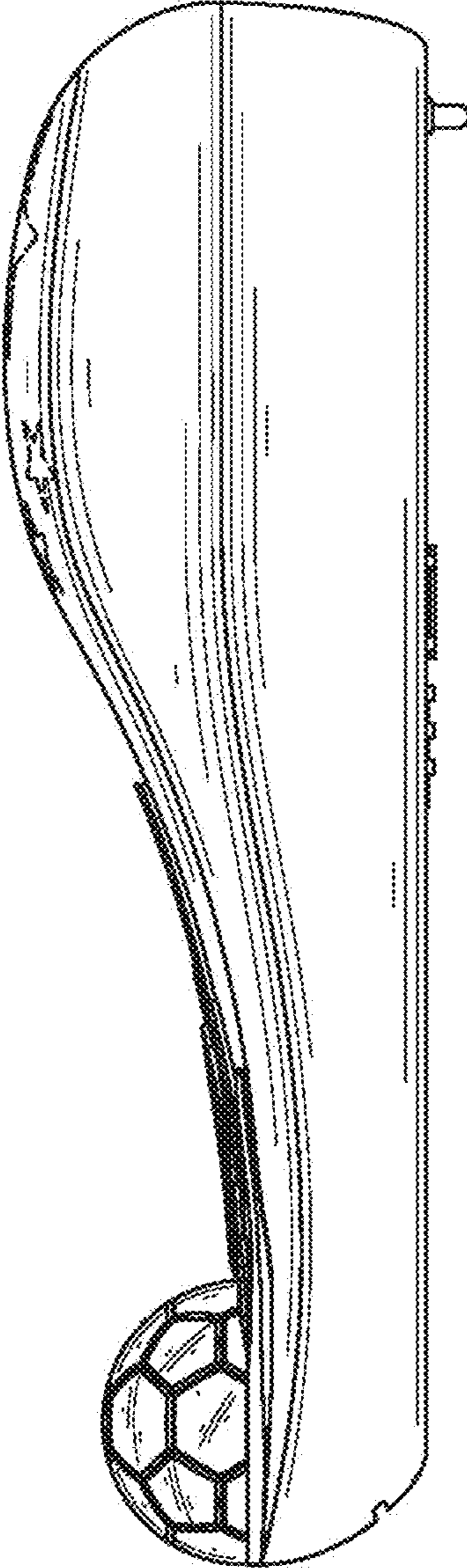


FIG. 11

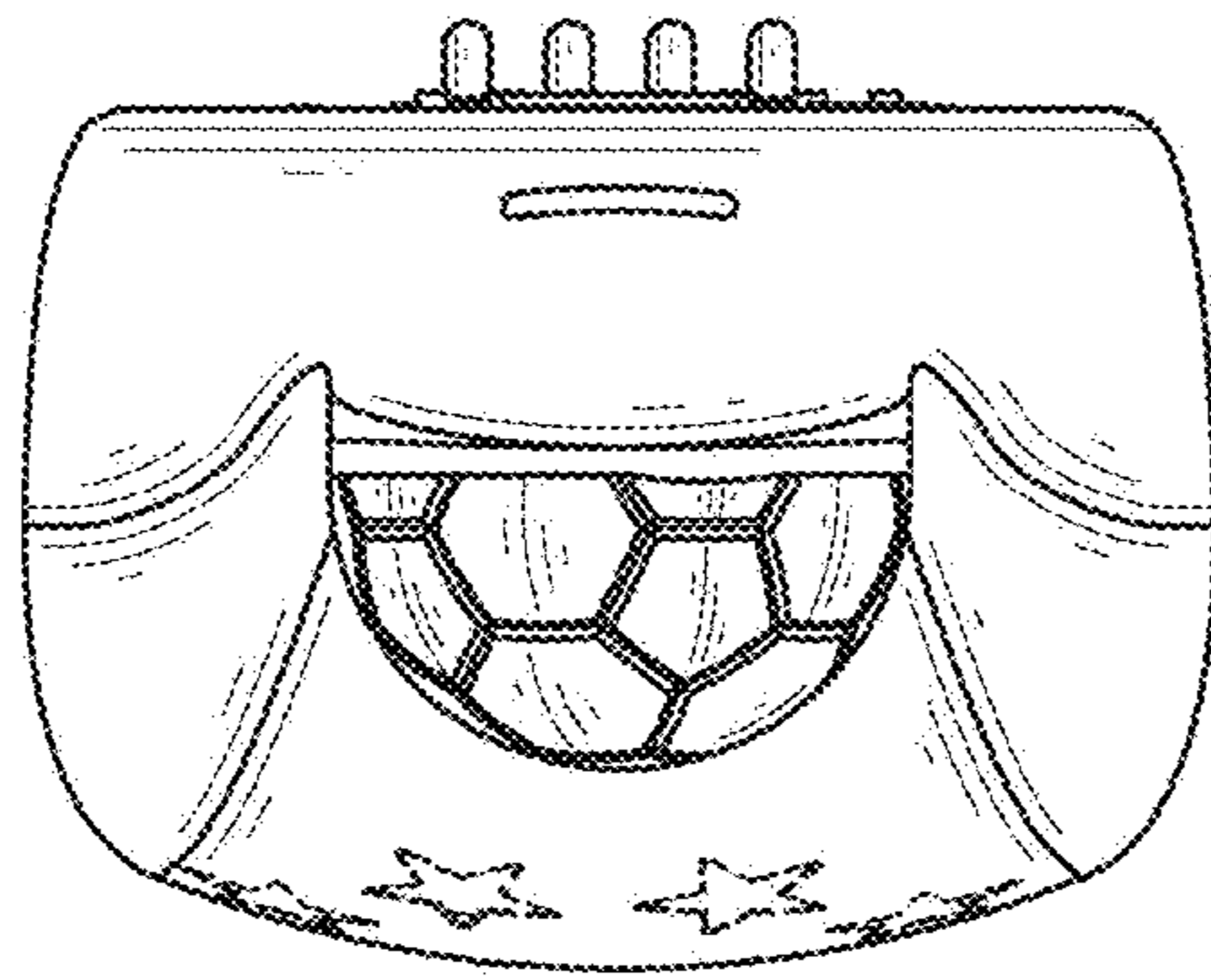


FIG. 12

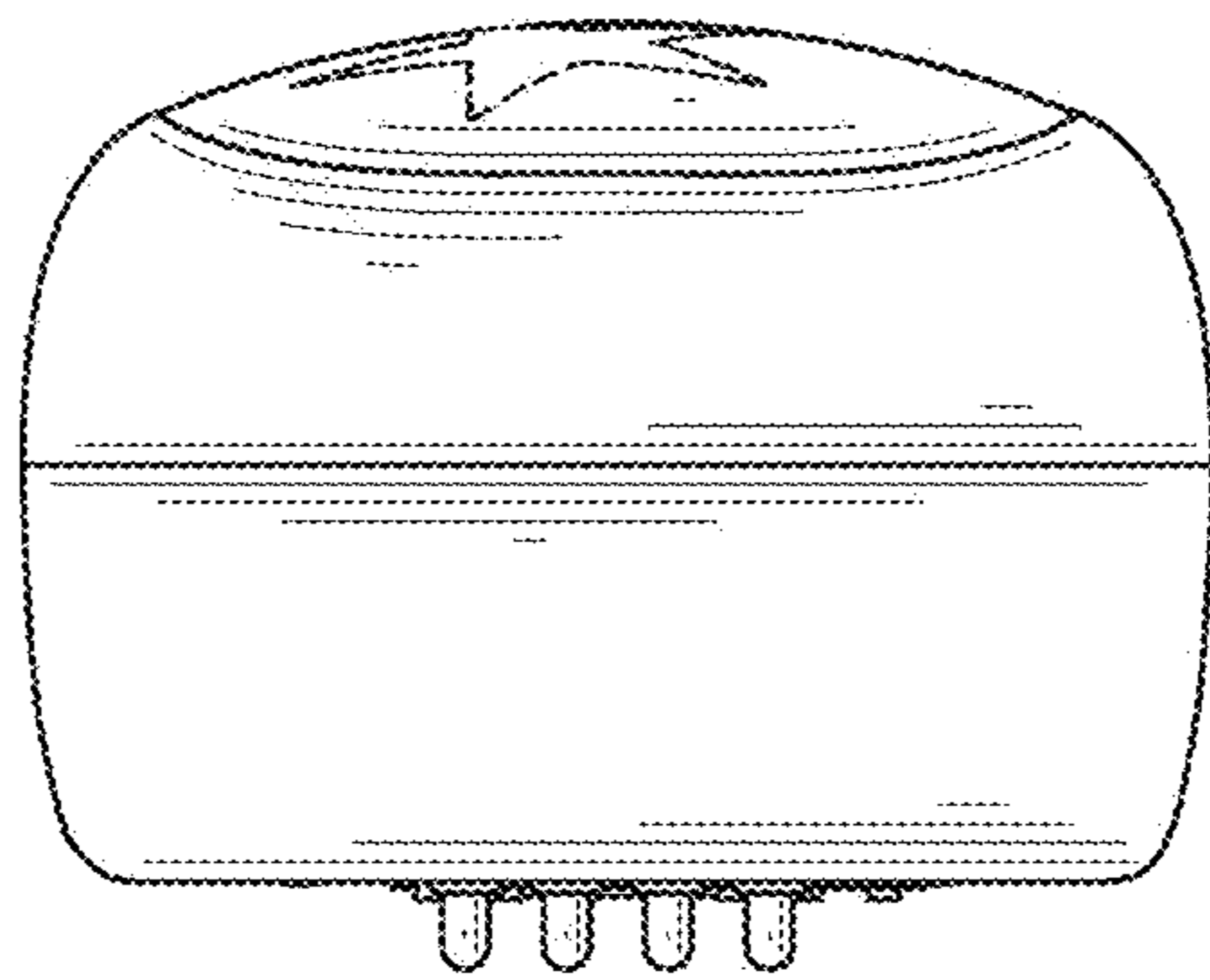


FIG. 13

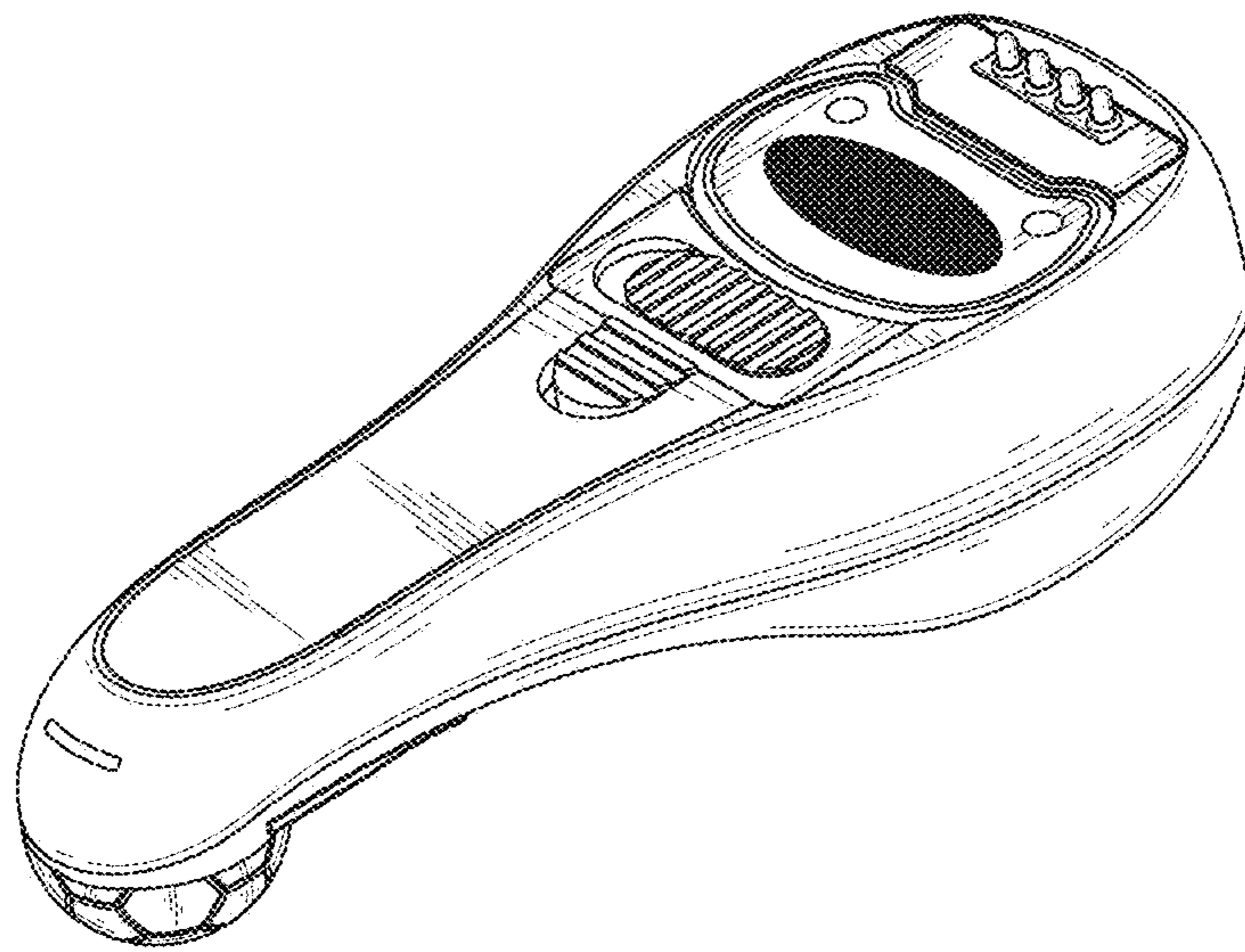


FIG. 14