



US00D800088S

(12) **United States Design Patent**  
**Kim et al.**

(10) **Patent No.:** **US D800,088 S**

(45) **Date of Patent:** **\*\* \*Oct. 17, 2017**

(54) **WIRELESS HEADSET**

(71) Applicant: **Samsung Electronics Co., Ltd.**,  
Suwon-si, Gyeonggi-do (KR)

(72) Inventors: **Junse Kim**, Seoul (KR); **James Chung**,  
Gwacheon-si (KR); **Taejoong Kim**,  
Goyang-si (KR)

(73) Assignee: **SAMSUNG ELECTRONICS CO., LTD.**,  
Gyeonggi-Do (KR)

(\*) Notice: This patent is subject to a terminal disclaimer.

(\*\*) Term: **15 Years**

(21) Appl. No.: **29/555,338**

(22) Filed: **Feb. 20, 2016**

(30) **Foreign Application Priority Data**

Sep. 2, 2015 (KR) ..... 30-2015-0044430

(51) **LOC (10) Cl.** ..... **14-01**

(52) **U.S. Cl.**  
USPC ..... **D14/205**

(58) **Field of Classification Search**  
USPC ..... D14/205, 206; 181/129, 130, 135;  
379/430, 431; 381/380, 381; 455/90.3,  
455/575.1  
CPC .... H04R 1/1016; H04R 1/1066; H04R 1/105;  
H04R 1/1041; H04R 1/10; H04R 25/00;  
H04R 1/1058; H04R 1/1033  
See application file for complete search history.

(56) **References Cited**

**U.S. PATENT DOCUMENTS**

2,891,116 A \* 6/1959 Nichols ..... H04R 25/602  
381/323  
3,863,028 A \* 1/1975 Fixler ..... H04R 5/0335  
381/19

4,110,583 A \* 8/1978 Lepper ..... H04M 1/05  
381/370  
4,821,318 A \* 4/1989 Wu ..... H04M 1/05  
379/430  
D337,587 S \* 7/1993 Nakayama ..... D14/205  
D351,598 S \* 10/1994 Nakamura ..... D14/205  
D371,558 S \* 7/1996 Yoshizawa ..... D14/205  
5,749,373 A \* 5/1998 Dix ..... A61F 11/12  
128/864  
6,010,216 A \* 1/2000 Jesiek ..... H04B 1/385  
351/158  
6,123,168 A \* 9/2000 Berg ..... A61F 11/12  
128/866  
6,233,345 B1 \* 5/2001 Urwyler ..... H04R 1/1033  
351/123  
D457,515 S \* 5/2002 Masamitsu ..... D14/192  
D458,244 S \* 6/2002 Masuda ..... D14/192  
D458,245 S \* 6/2002 Masuda ..... D14/192

(Continued)

*Primary Examiner* — Paula Greene

(74) *Attorney, Agent, or Firm* — Cantor Colburn LLP

(57) **CLAIM**

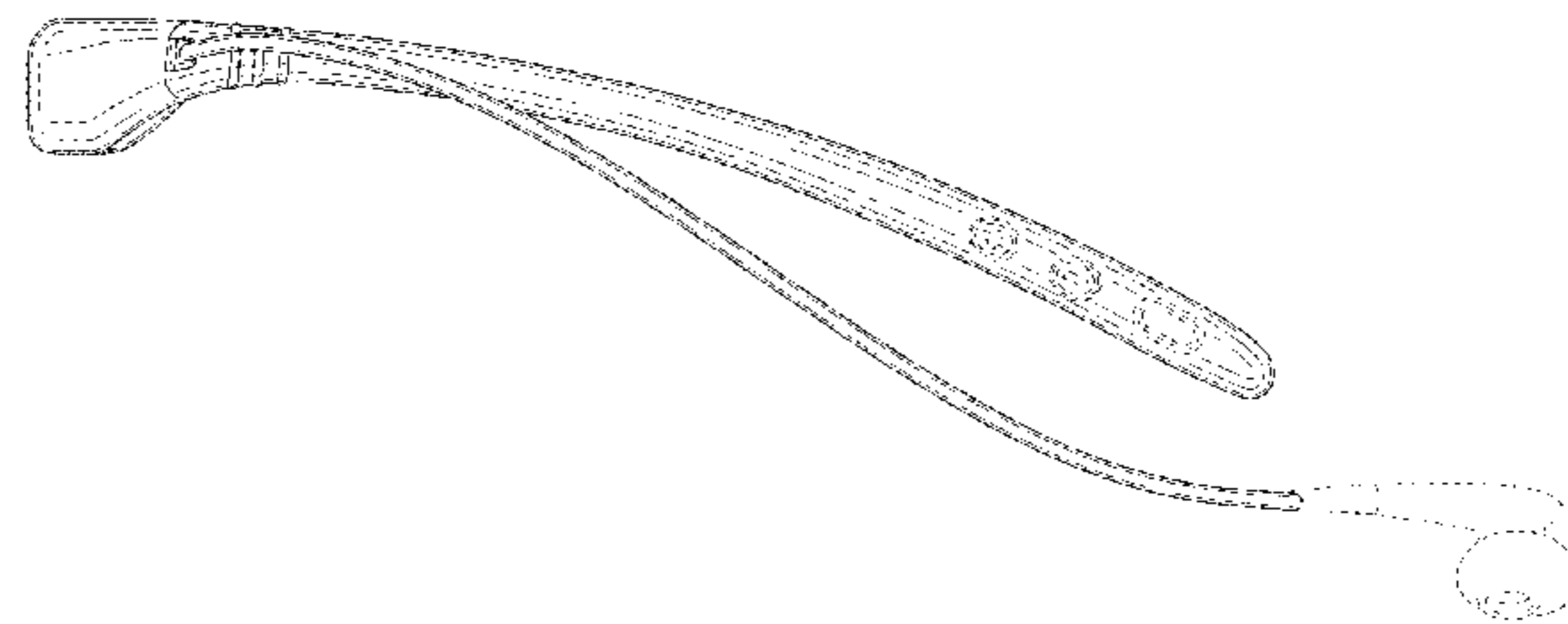
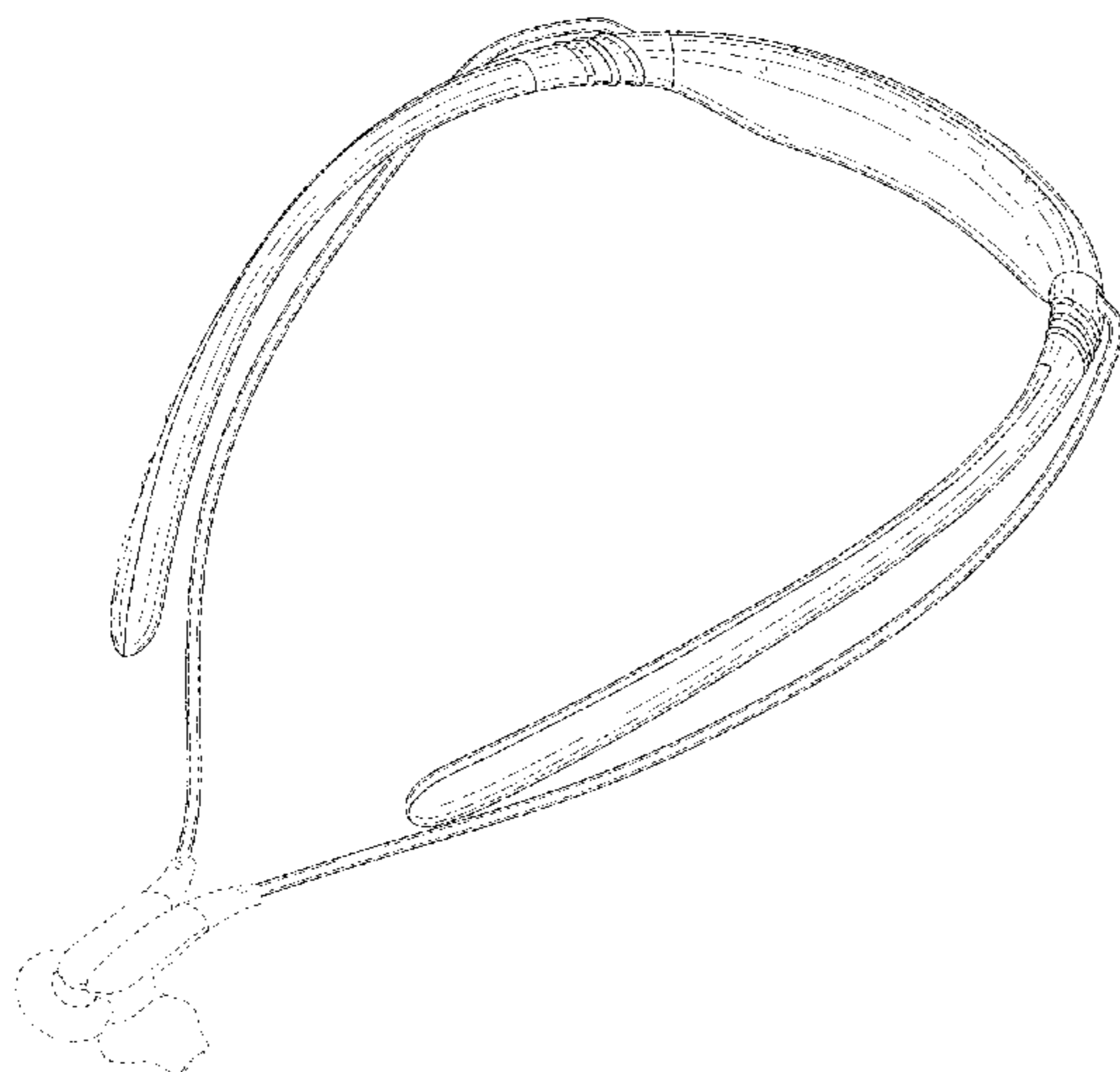
The ornamental design for a wireless headset, as shown and described.

**DESCRIPTION**

FIG. 1 is a front perspective view of a wireless headset showing our new design;  
FIG. 2 is a front view thereof;  
FIG. 3 is a rear view thereof;  
FIG. 4 is a left side view thereof;  
FIG. 5 is a right side view thereof;  
FIG. 6 is a top view thereof;  
FIG. 7 is a bottom view thereof;  
FIG. 8 is a rear perspective view thereof; and,  
FIG. 9 is a perspective view thereof, as shown in a user environment.

The broken lines illustrating portions of the wireless headset form no part of the claimed design.

**1 Claim, 7 Drawing Sheets**



(56)

## References Cited

## U.S. PATENT DOCUMENTS

6,603,863	B1 *	8/2003	Nagayoshi .....	H04R 1/1066 381/370
6,799,018	B1 *	9/2004	Lam .....	H04B 10/11 381/301
D504,177	S *	4/2005	Erfan .....	D14/205
D557,685	S *	12/2007	Lee .....	D14/205
D559,831	S *	1/2008	Lee .....	D14/205
D575,268	S *	8/2008	Christopher .....	D14/205
D576,149	S *	9/2008	Malik .....	D14/205
D579,442	S *	10/2008	Kim .....	D14/205
D593,067	S *	5/2009	Millora .....	D14/205
D593,538	S *	6/2009	Chon .....	D14/205
D599,442	S *	9/2009	Fakonas .....	D23/252
D604,269	S *	11/2009	Choe .....	D14/205
D617,308	S *	6/2010	Nousiainen .....	D14/205
D623,627	S *	9/2010	Alden .....	D14/205
D633,471	S *	3/2011	Sugiyama .....	D14/205
7,920,902	B2 *	4/2011	Carroll .....	H04M 1/6066 381/74
D653,234	S *	1/2012	Lee .....	D14/205
D654,448	S *	2/2012	Iba .....	D14/126
D656,444	S *	3/2012	Lee .....	D12/209
8,174,569	B2 *	5/2012	Tanjiri .....	G02B 27/0176 348/115
D663,714	S *	7/2012	Kang .....	D14/205
8,233,947	B2 *	7/2012	Kushnirov .....	A42B 3/127 455/575.2
D669,881	S *	10/2012	Clements .....	D14/205
D678,858	S *	3/2013	Feng .....	D14/205
8,433,082	B2 *	4/2013	Abolfathi .....	H04R 1/46 381/151
D695,264	S *	12/2013	Chee .....	D14/205
D703,634	S *	4/2014	Han .....	H04R 1/1016 D14/205
D707,199	S *	6/2014	Cypress .....	H04R 1/10 D14/205
D712,371	S *	9/2014	Henning .....	D14/205
D721,673	S *	1/2015	Park .....	D14/205
D730,867	S *	6/2015	Park .....	D14/205
D731,999	S *	6/2015	Cypress .....	D14/205
D732,510	S *	6/2015	Masters .....	D14/223
D736,740	S *	8/2015	Hwang .....	D14/205
D743,933	S *	11/2015	Park .....	D14/205
D745,490	S *	12/2015	Zheng .....	D14/205
D756,958	S *	5/2016	Lee .....	D14/205
D759,959	S *	6/2016	Henry-Holmes .....	D3/226
D762,617	S *	8/2016	Park .....	D14/205
D763,227	S *	8/2016	Lee .....	D14/205
D763,822	S *	8/2016	Lee .....	D14/205
D766,210	S *	9/2016	Graylin .....	D14/205
D766,869	S *	9/2016	Lee .....	D14/205
9,445,181	B1 *	9/2016	Atwater .....	H04R 1/105
D768,600	S *	10/2016	Chen .....	D14/205
D771,011	S *	11/2016	Ott .....	D14/205
D771,588	S *	11/2016	Choe .....	D14/205
D772,195	S *	11/2016	Lee .....	D14/205
D772,196	S *	11/2016	Choi .....	D14/205
D772,843	S *	11/2016	Lee .....	D14/205
D772,845	S *	11/2016	Lim .....	D14/205
D774,017	S *	12/2016	Ahn .....	D14/205
D776,636	S *	1/2017	Lim .....	D14/205
D781,817	S *	3/2017	Lee .....	D14/205
2007/0003093	A1 *	1/2007	Ito .....	H04R 5/0335 381/378
2007/0104333	A1 *	5/2007	Kuo .....	H04R 1/1025 381/74
2009/0274335	A1 *	11/2009	Cheung .....	H04R 5/0335 381/374
2013/0329903	A1 *	12/2013	Ting .....	H04R 1/105 381/74
2015/0264474	A1 *	9/2015	Seo .....	H04R 1/1091 381/74
2016/0381453	A1 *	12/2016	Ushakov .....	H04R 1/1058 381/71.6
2017/0070801	A1 *	3/2017	Nguyen .....	H04R 1/105

\* cited by examiner

FIG. 1

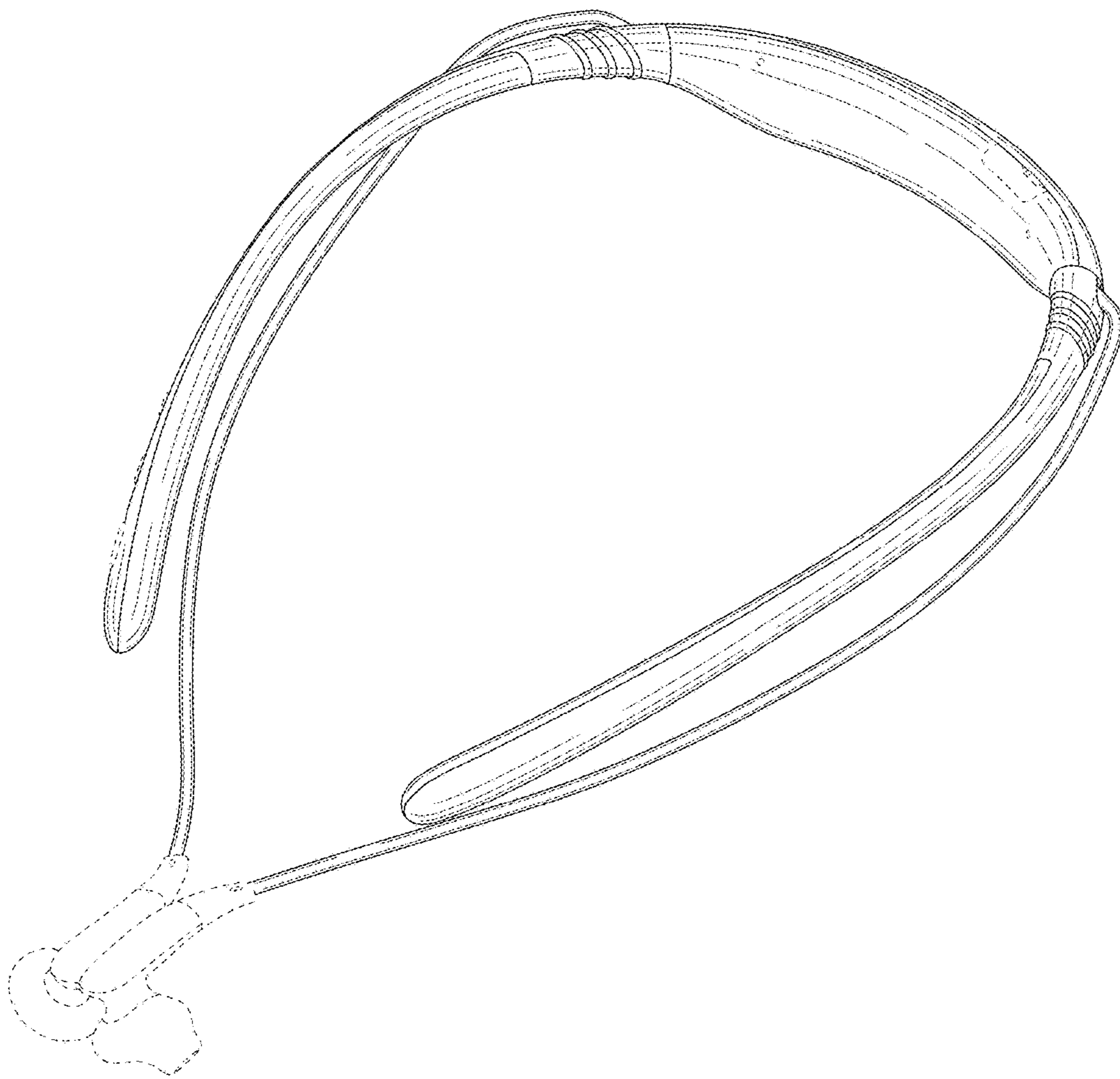


FIG. 2

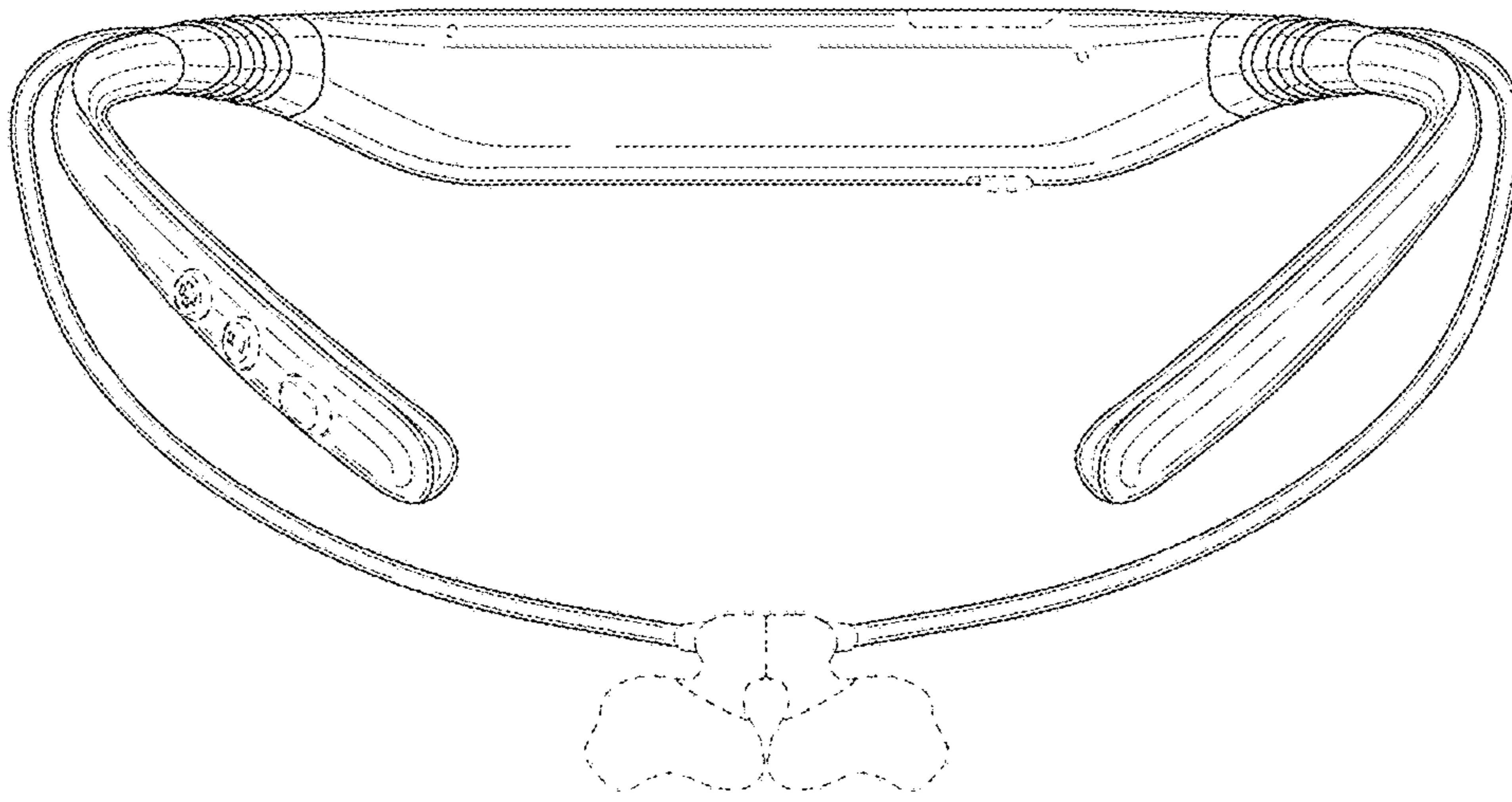


FIG. 3

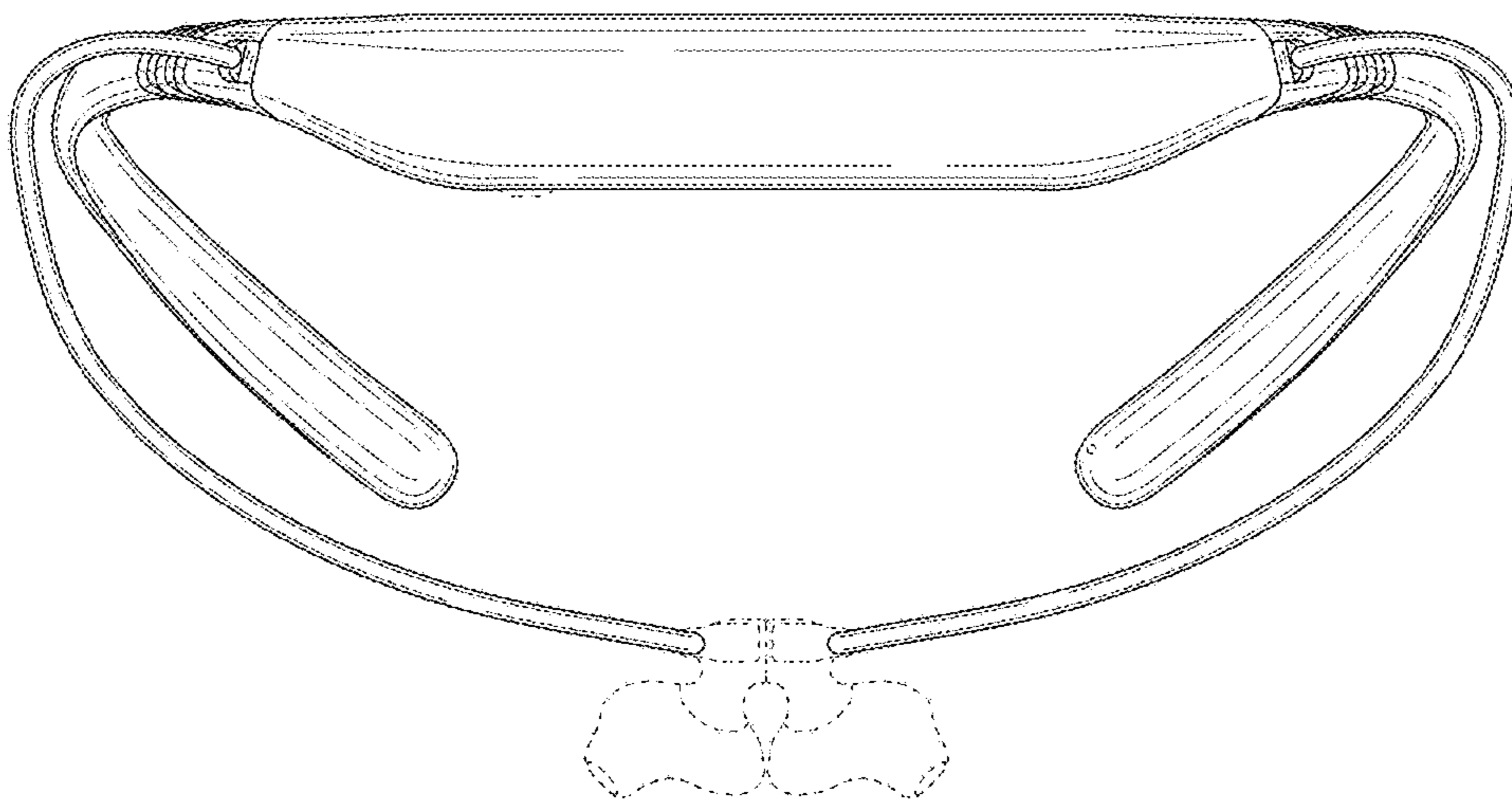


FIG. 4

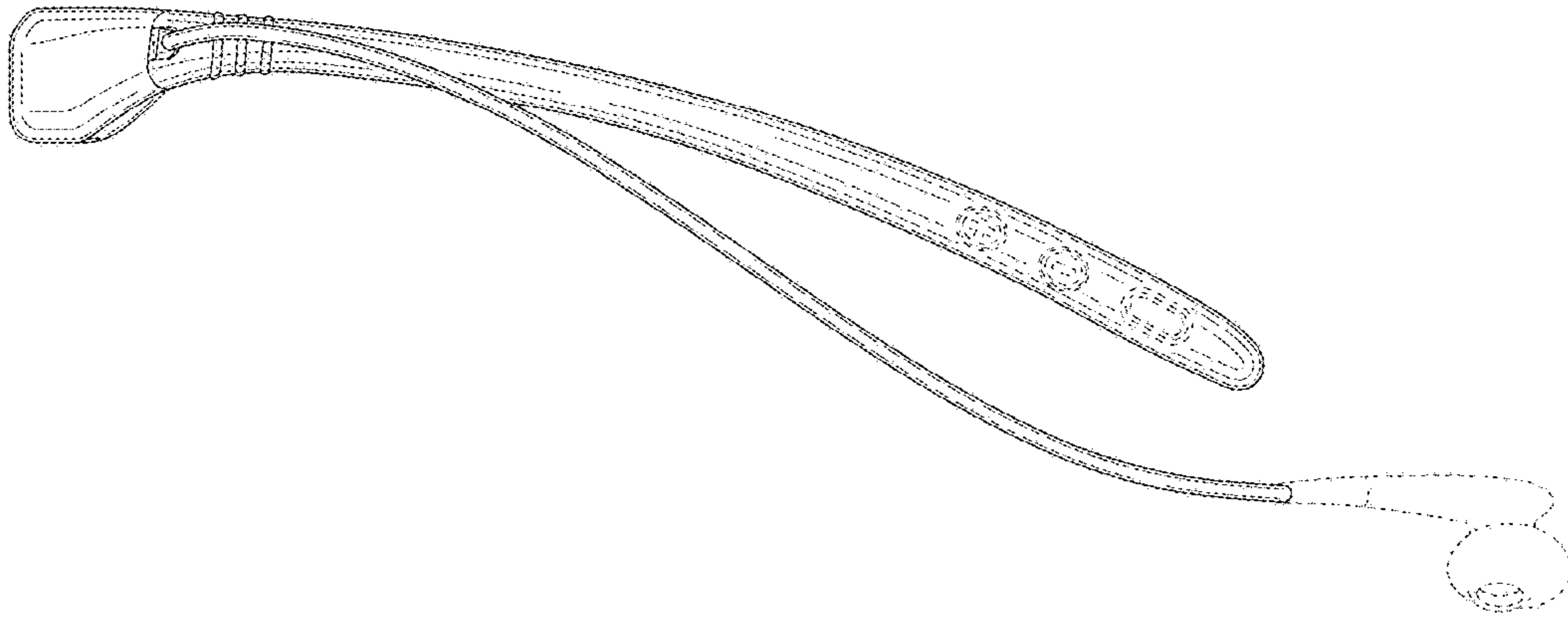


FIG. 5

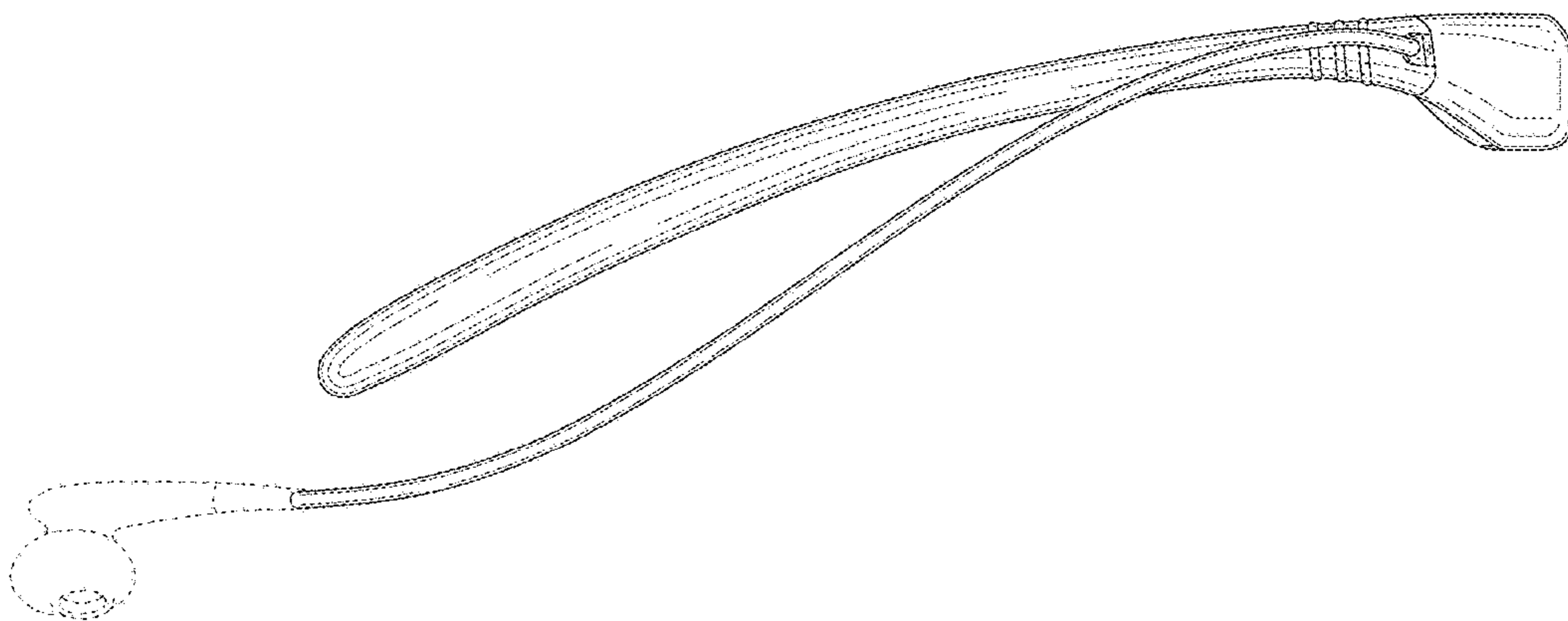


FIG. 6

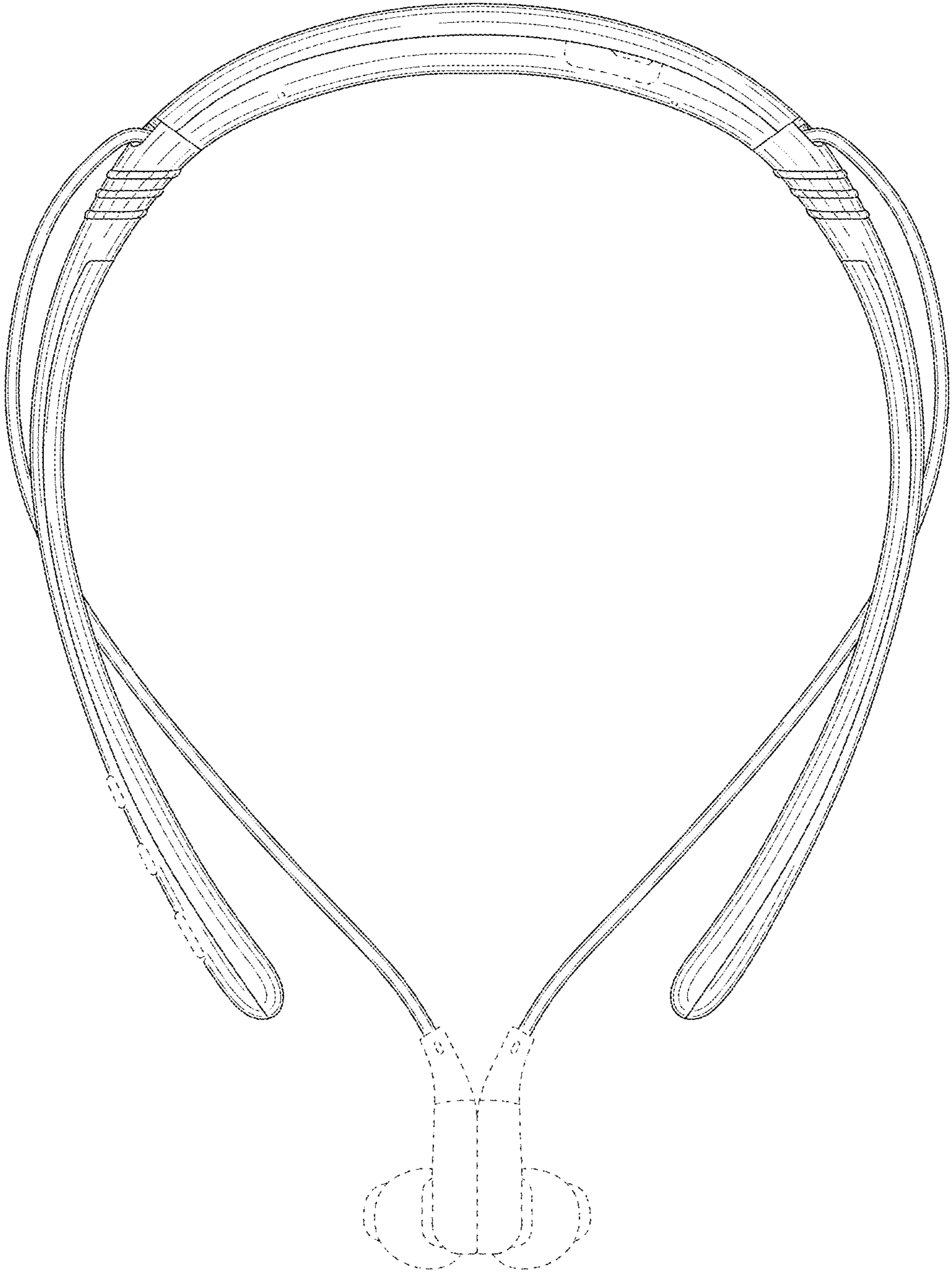


FIG. 7

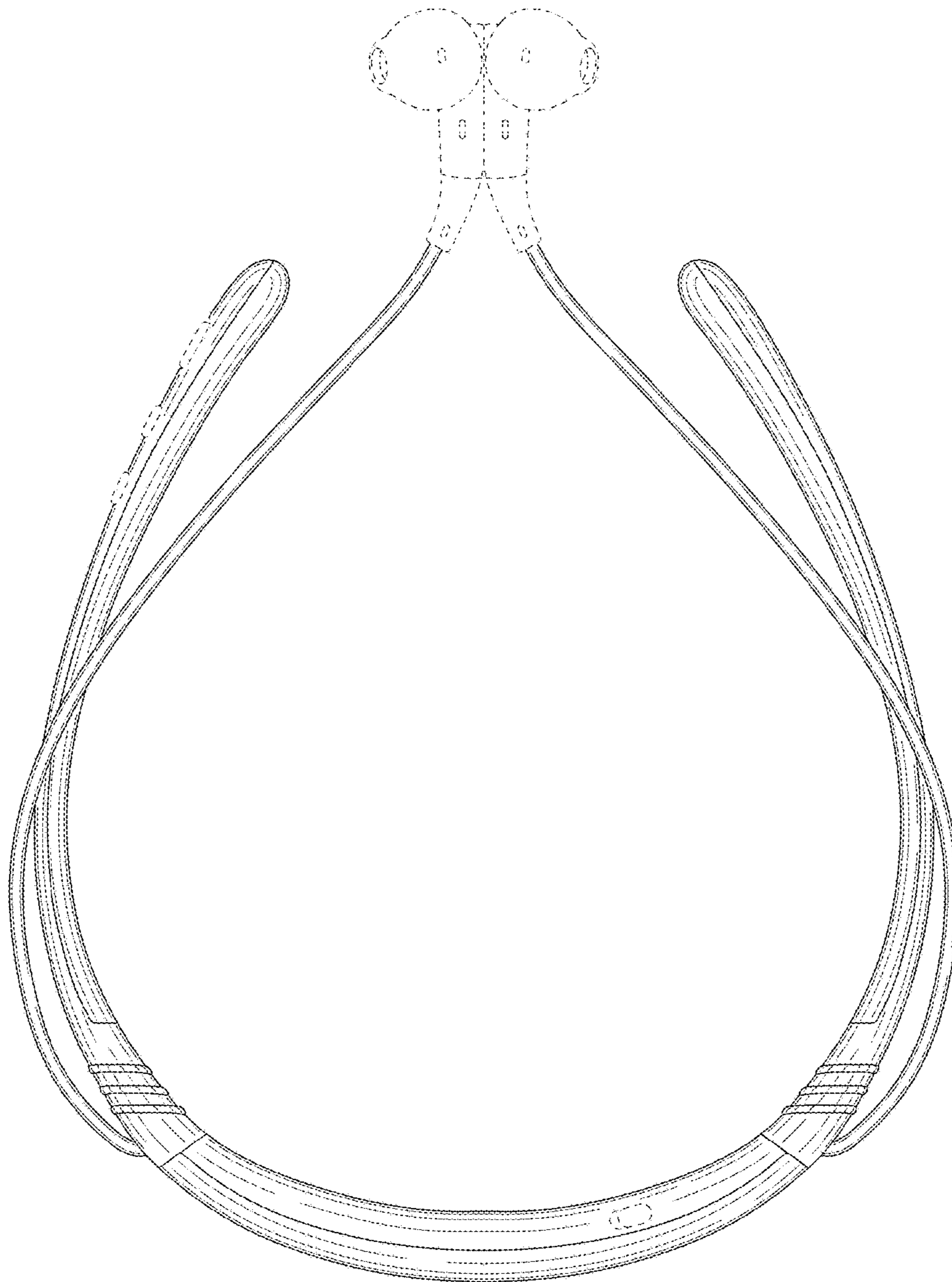


FIG. 8

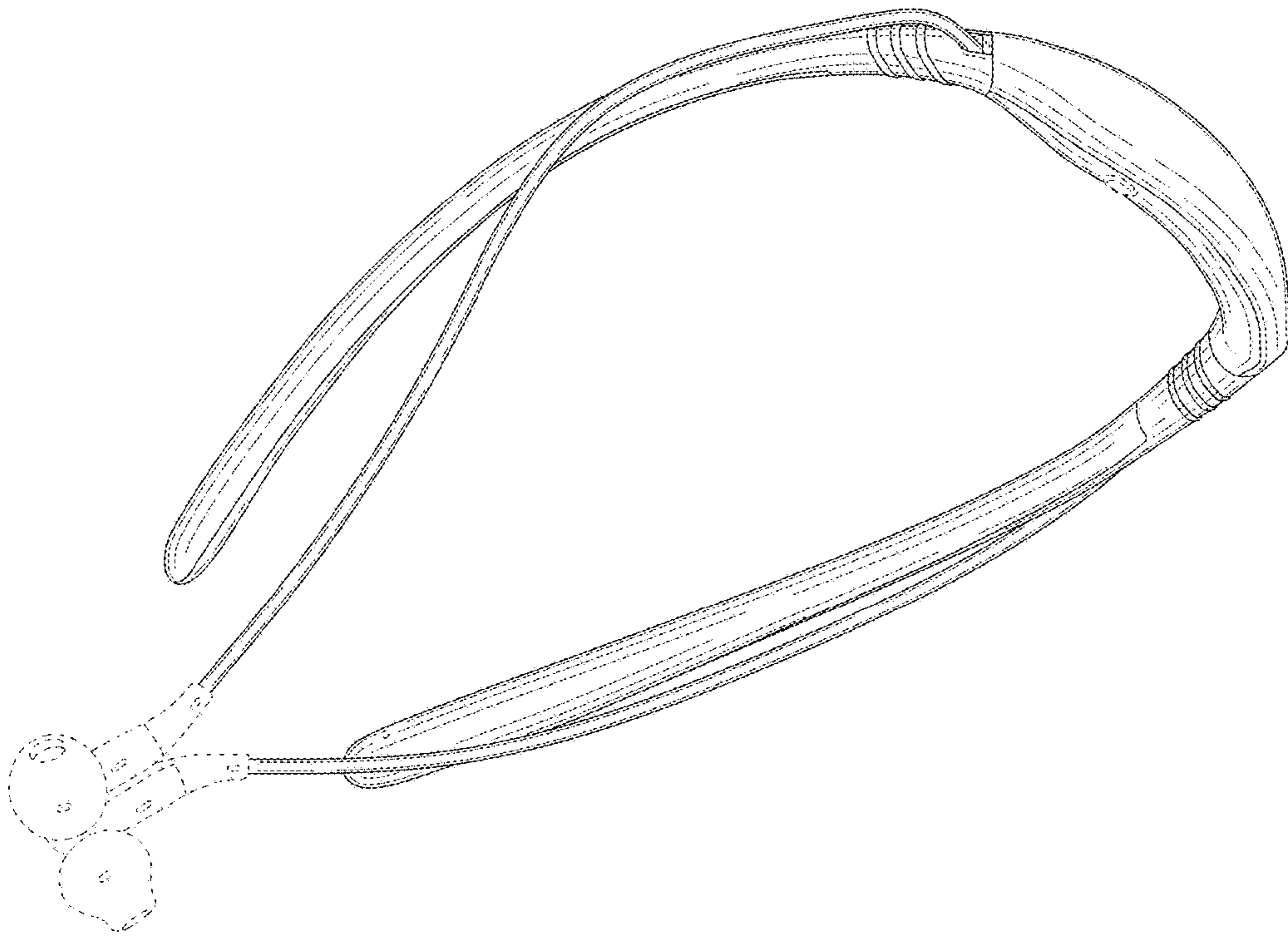




FIG. 9

