



US00D800082S

(12) **United States Design Patent** (10) **Patent No.:** **US D800,082 S**
Ahn et al. (45) **Date of Patent:** **** Oct. 17, 2017**

(54) **TV SET**

CPC G06F 1/1601; G06F 1/1643; G06F 1/1652;
G06F 1/1647; G06F 3/0412; H05K
5/0004; H05K 5/0017; H05K 5/02; H05K
5/0217; H04N 13/0459

(71) Applicant: **SAMSUNG ELECTRONICS CO., LTD.**, Suwon-si, Gyeonggi-do (KR)

See application file for complete search history.

(72) Inventors: **Daekyung Ahn**, Namyangju-si (KR); **Namkyu Kim**, Seoul (KR); **Inshik Kim**, Seongnam-si (KR); **Haesung Park**, Seoul (KR)

(56) **References Cited**

U.S. PATENT DOCUMENTS

(73) Assignee: **SAMSUNG ELECTRONICS CO., LTD.**, Gyeonggi-Do (KR)

D722,068 S *	2/2015	Jung	D14/447
D725,062 S *	3/2015	Cho	D14/126
D725,616 S *	3/2015	Oh	D14/126
D728,498 S *	5/2015	Park	D14/126
D742,846 S *	11/2015	Kang	D14/126
D750,093 S *	2/2016	Jung	D14/451
D758,983 S *	6/2016	Kim	D14/126

(**) Term: **15 Years**

* cited by examiner

(21) Appl. No.: **29/567,781**

Primary Examiner — Randall Gholson

(22) Filed: **Jun. 13, 2016**

(74) *Attorney, Agent, or Firm* — Cantor Colburn LLP

(30) **Foreign Application Priority Data**

(57) **CLAIM**

Dec. 14, 2015 (KR) 30-2015-0063628
Dec. 14, 2015 (KR) 30-2015-0063633

The ornamental design for a TV set, as shown and described.

(51) **LOC (10) Cl.** **14-03**

DESCRIPTION

(52) **U.S. Cl.**
USPC **D14/126**

FIG. 1 is a front perspective view of a TV set, showing our new design;

(58) **Field of Classification Search**
USPC D14/125–134, 239, 371, 136, 374–377,
D14/440, 450, 448, 336, 342, 159;
312/7.2; 348/836, 838, 180, 184, 325,
348/739; 248/917–924, 465; 345/104,
345/133, 156, 168, 87, 173; D21/329,
D21/515, 577, 622, 333, 433, 448, 452,
D21/450, 331, 505; D10/15, 26;
446/484, 175, 356; D6/477, 479, 300;
D20/10, 19, 39; D16/203, 241; 160/24

FIG. 2 is a front view thereof;
FIG. 3 is a rear view thereof;
FIG. 4 is a left-side view thereof;
FIG. 5 is a right-side view thereof;
FIG. 6 is a top view thereof;
FIG. 7 is a bottom view thereof; and,
FIG. 8 is a rear perspective view thereof.
The broken lines illustrating portions of the TV set form no part of the claimed design.

1 Claim, 6 Drawing Sheets

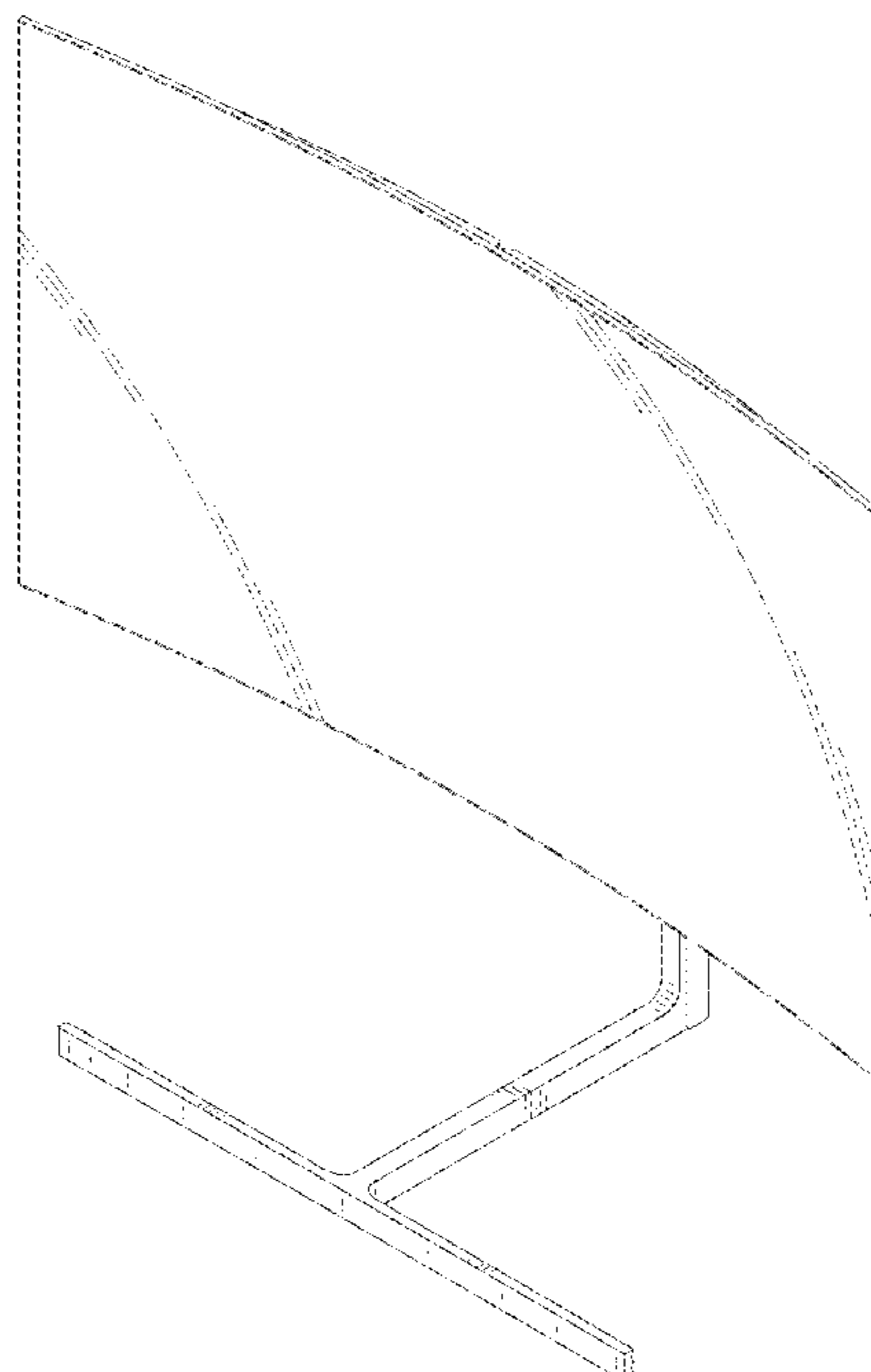


FIG.1

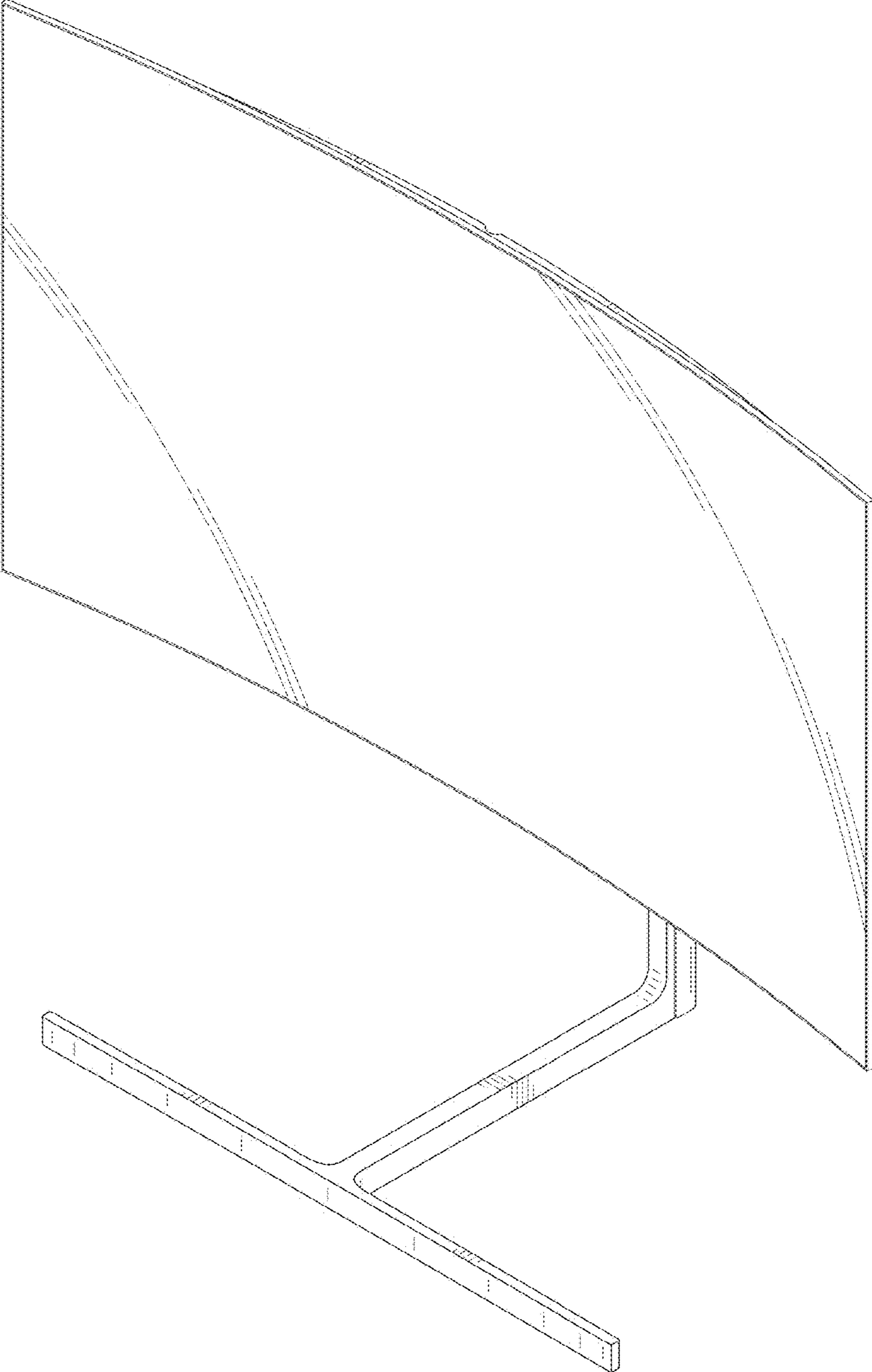


FIG.2

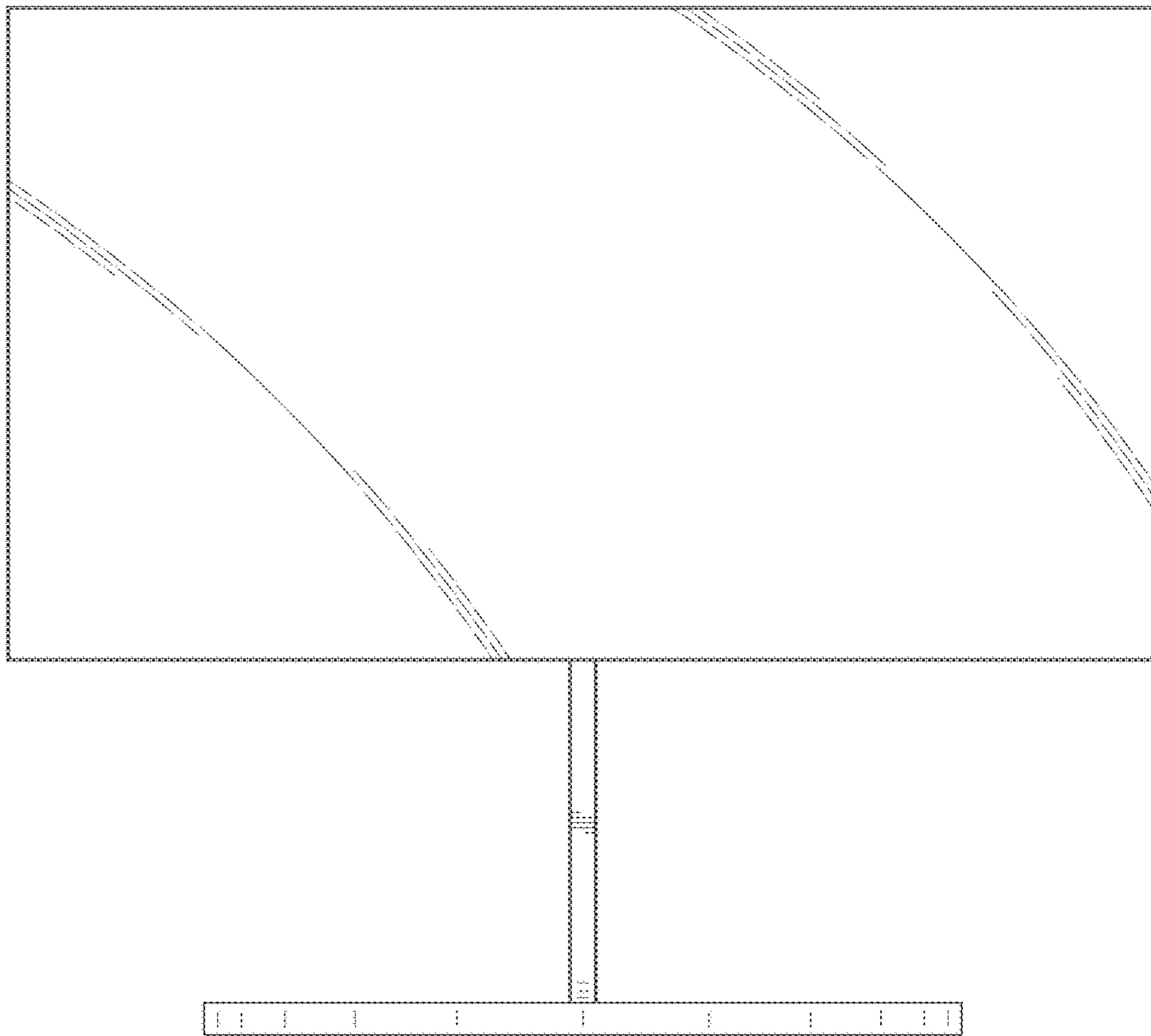


FIG.3

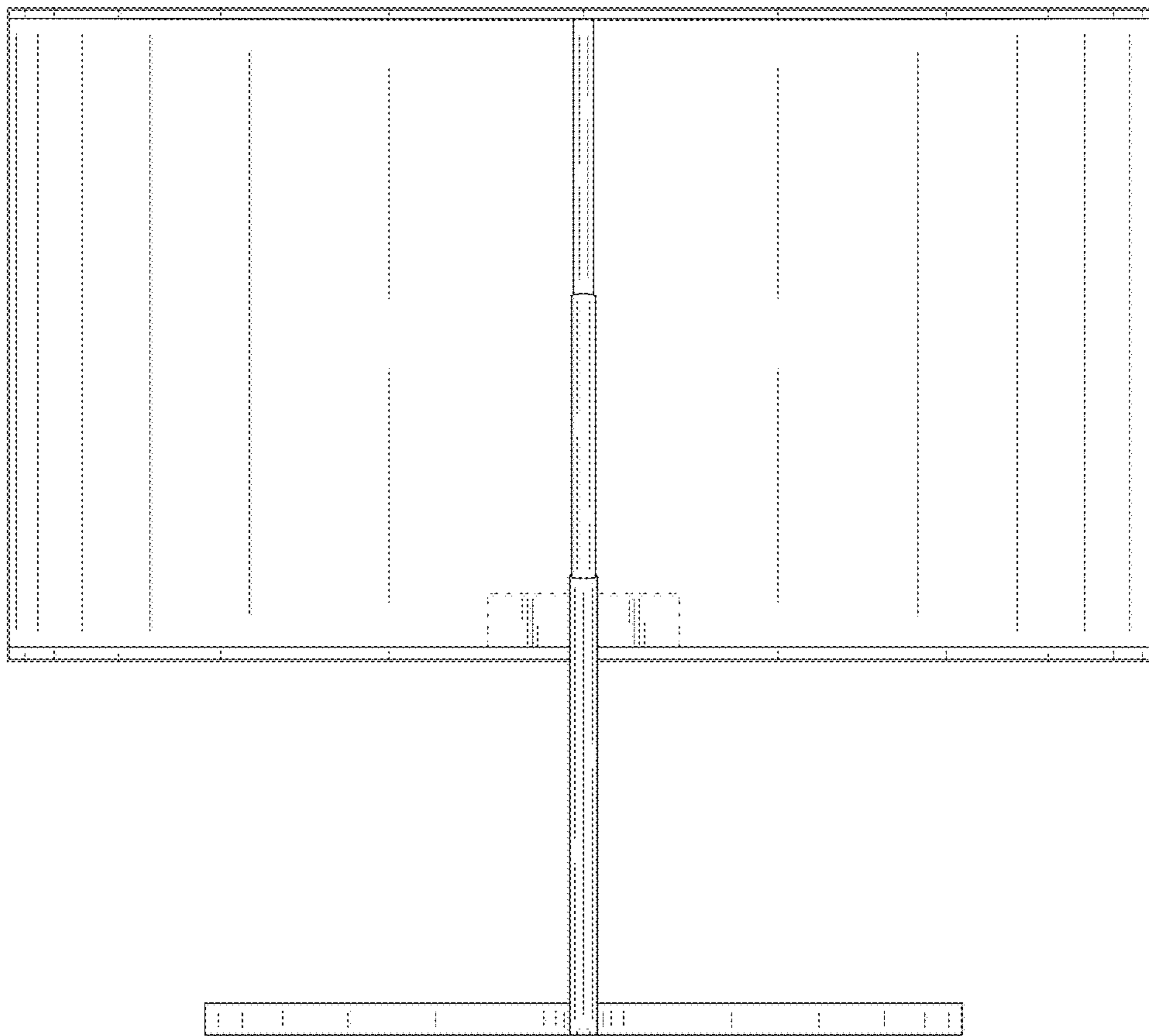


FIG.4

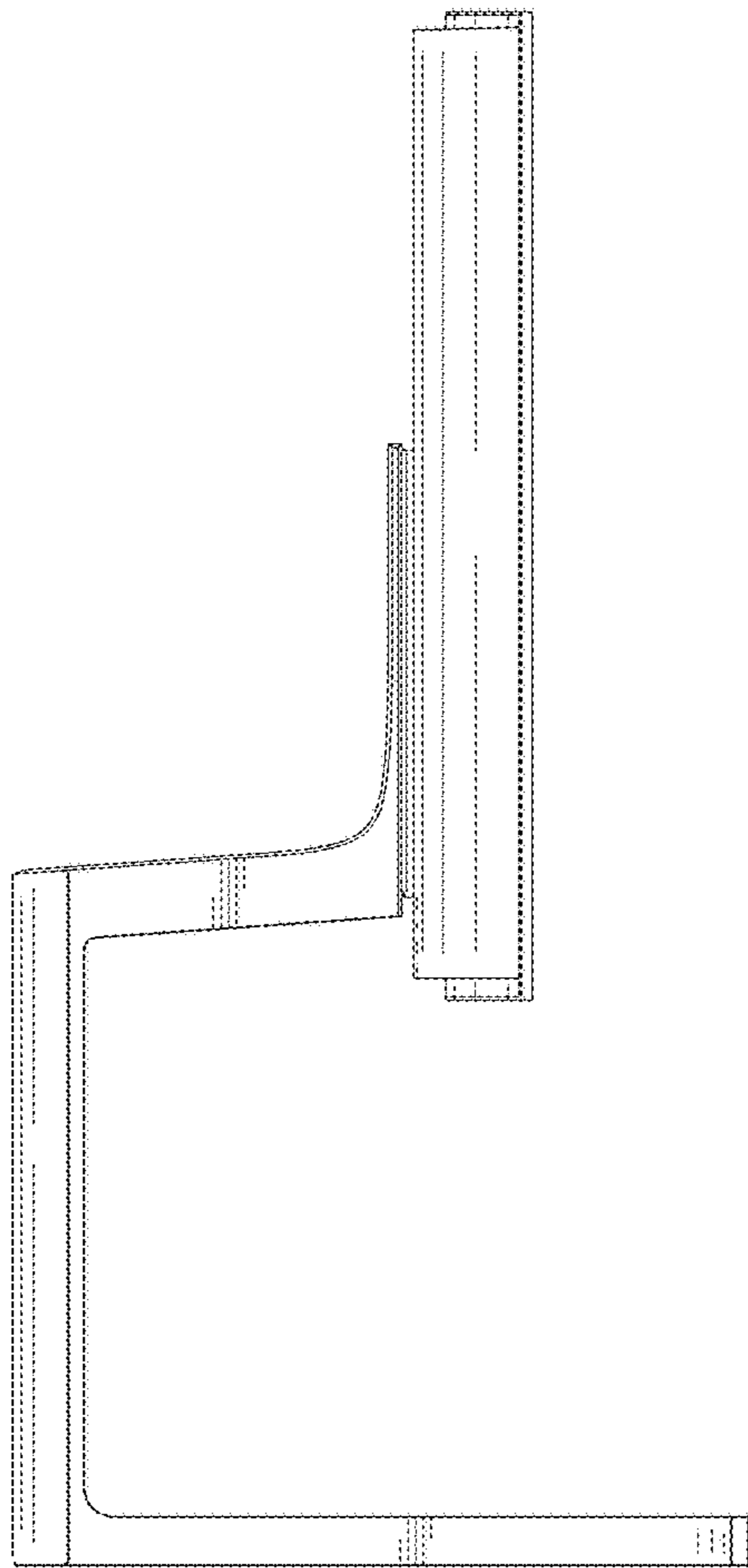


FIG.5

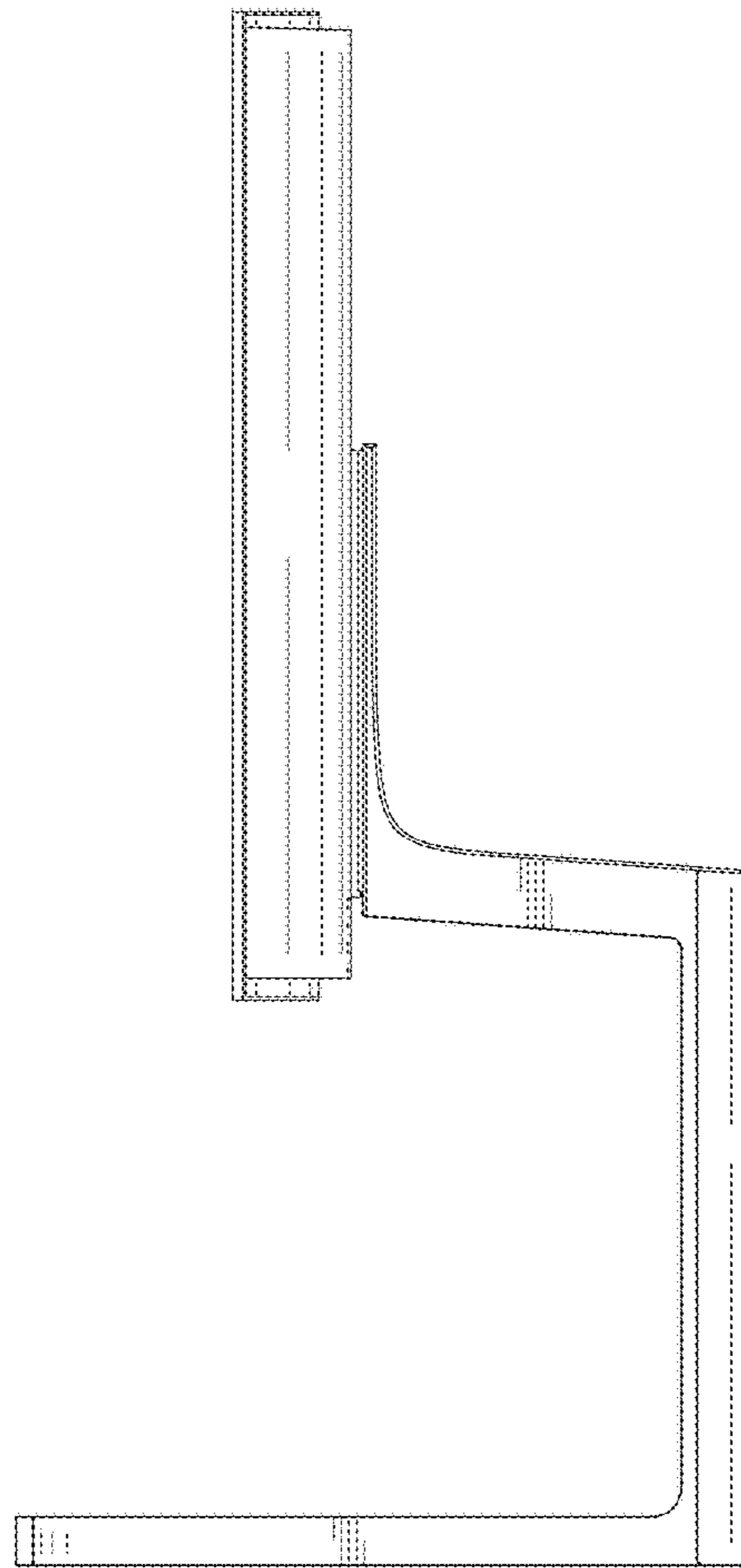


FIG.6

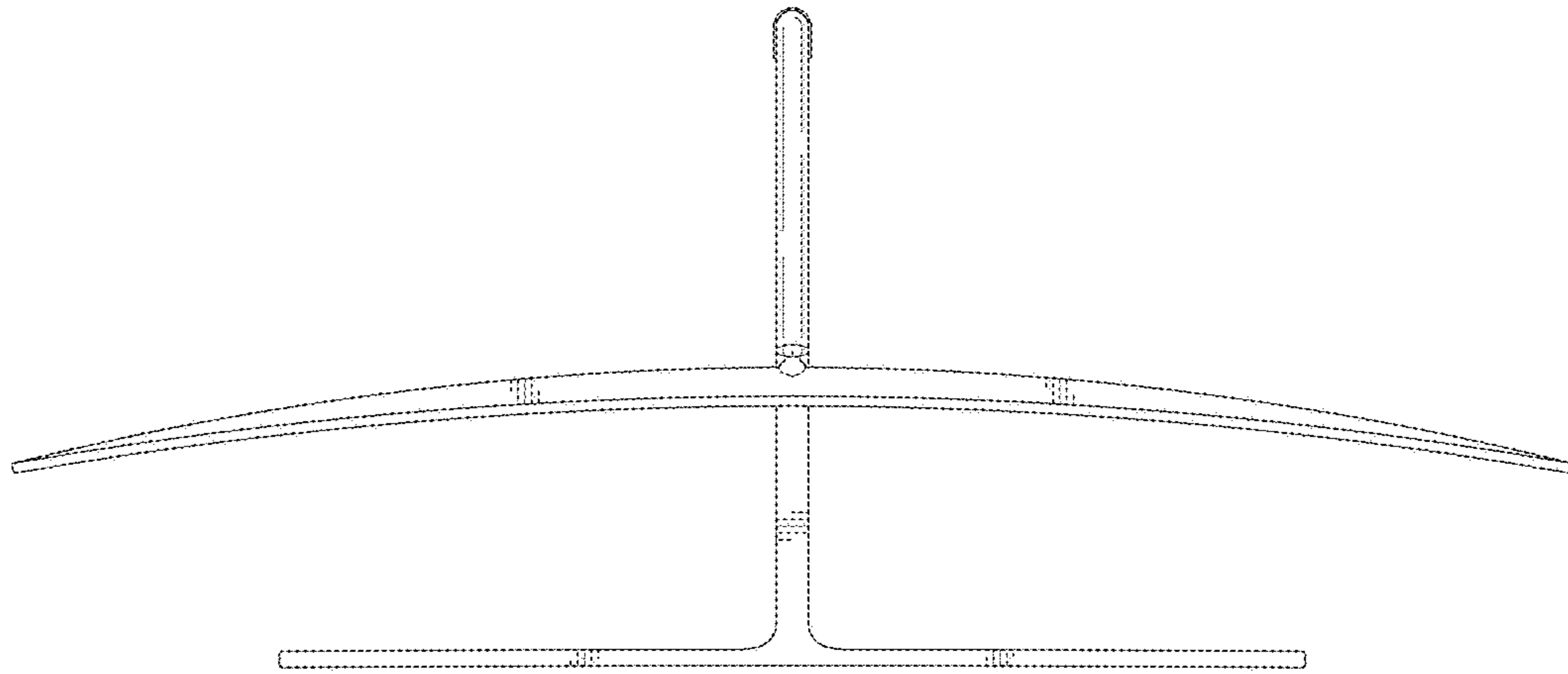


FIG.7

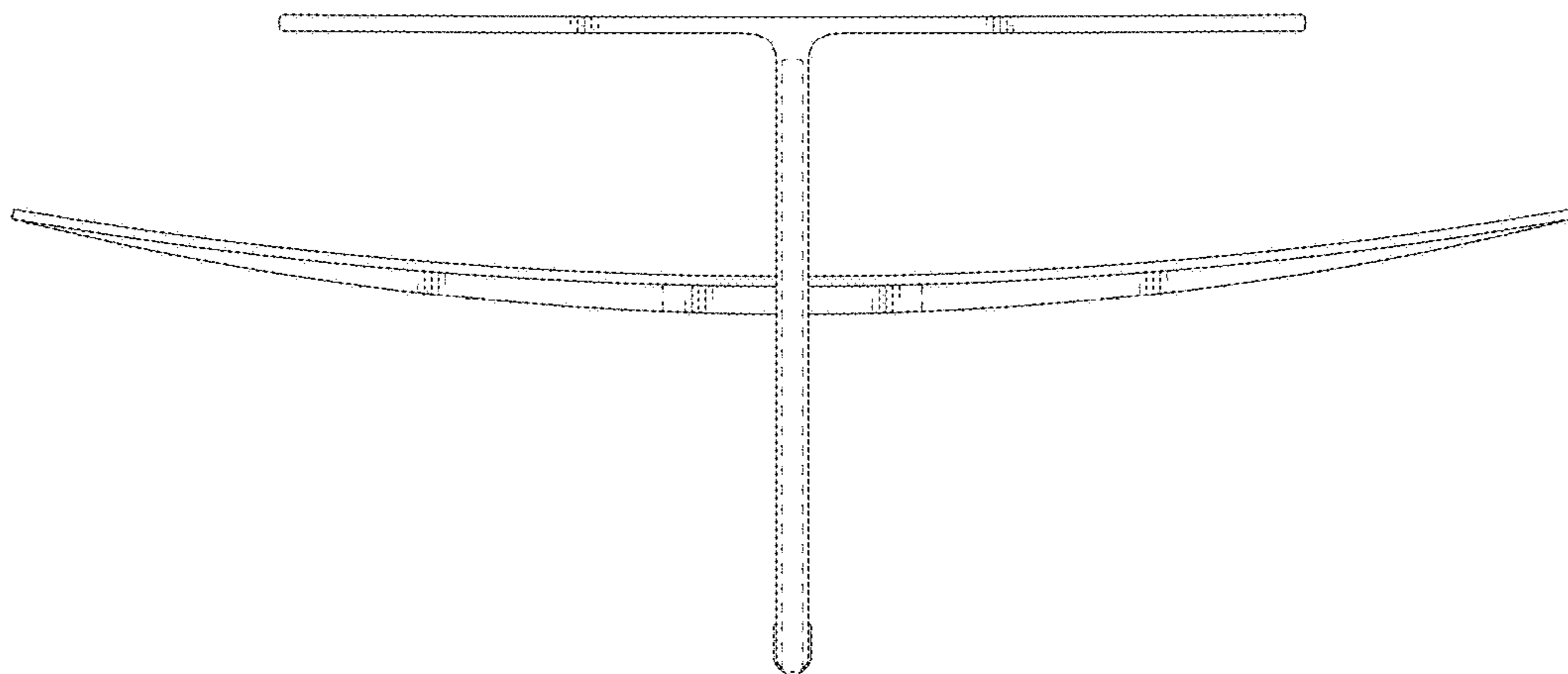


FIG.8

