



US00D800073S

(12) **United States Design Patent**  
**Zhu**

(10) **Patent No.:** **US D800,073 S**

(45) **Date of Patent:** **\*\* Oct. 17, 2017**

(54) **SKULL-SHAPED SWITCH**

(71) Applicant: **Ningbo New Huatai Plastics Electric Appliance Co., Ltd.**, Ningbo, Zhejiang (CN)

(72) Inventor: **Zhaohua Zhu**, Zhejiang (CN)

(73) Assignee: **Ningbo New Huatai Plastics Electric Appliance Co., Ltd.** (CN)

(\*\*) Term: **15 Years**

(21) Appl. No.: **29/570,054**

(22) Filed: **Jul. 4, 2016**

(51) **LOC (10) Cl.** ..... **13-03**

(52) **U.S. Cl.**  
USPC ..... **D13/158; D13/171**

(58) **Field of Classification Search**  
USPC .... D13/158, 162, 171, 184, 199; D26/4, 26, D26/47, 73  
CPC .. F21S 8/035; H01H 1/38; H01H 3/02; H01H 3/12; H01H 9/02; H01H 9/181; H01H 13/023; H01H 13/04  
See application file for complete search history.

(56) **References Cited**

**U.S. PATENT DOCUMENTS**

D352,700 S \* 11/1994 Agnatovech ..... D13/171  
D407,163 S \* 3/1999 Berkowitz ..... D26/4  
D437,295 S \* 2/2001 Gunji ..... D13/158  
D460,572 S \* 7/2002 Lee ..... D11/121

D485,633 S \* 1/2004 Krumholz ..... D26/47  
D486,927 S \* 2/2004 Yu ..... D26/26  
D511,504 S \* 11/2005 Sang ..... D13/171  
D552,294 S \* 10/2007 Lin ..... D26/139  
D583,086 S \* 12/2008 van der Lande ..... D26/47  
7,507,924 B2 \* 3/2009 Lorenzo Riera ..... H01H 13/023  
200/314  
D605,541 S \* 12/2009 Hu ..... D10/114.1  
D645,004 S \* 9/2011 Menheere ..... D13/171  
2008/0073190 A1 \* 3/2008 Cove ..... H01H 9/181  
200/314  
2015/0170853 A1 \* 6/2015 Seo ..... H02K 33/02  
200/521

\* cited by examiner

*Primary Examiner* — Selina Sikder

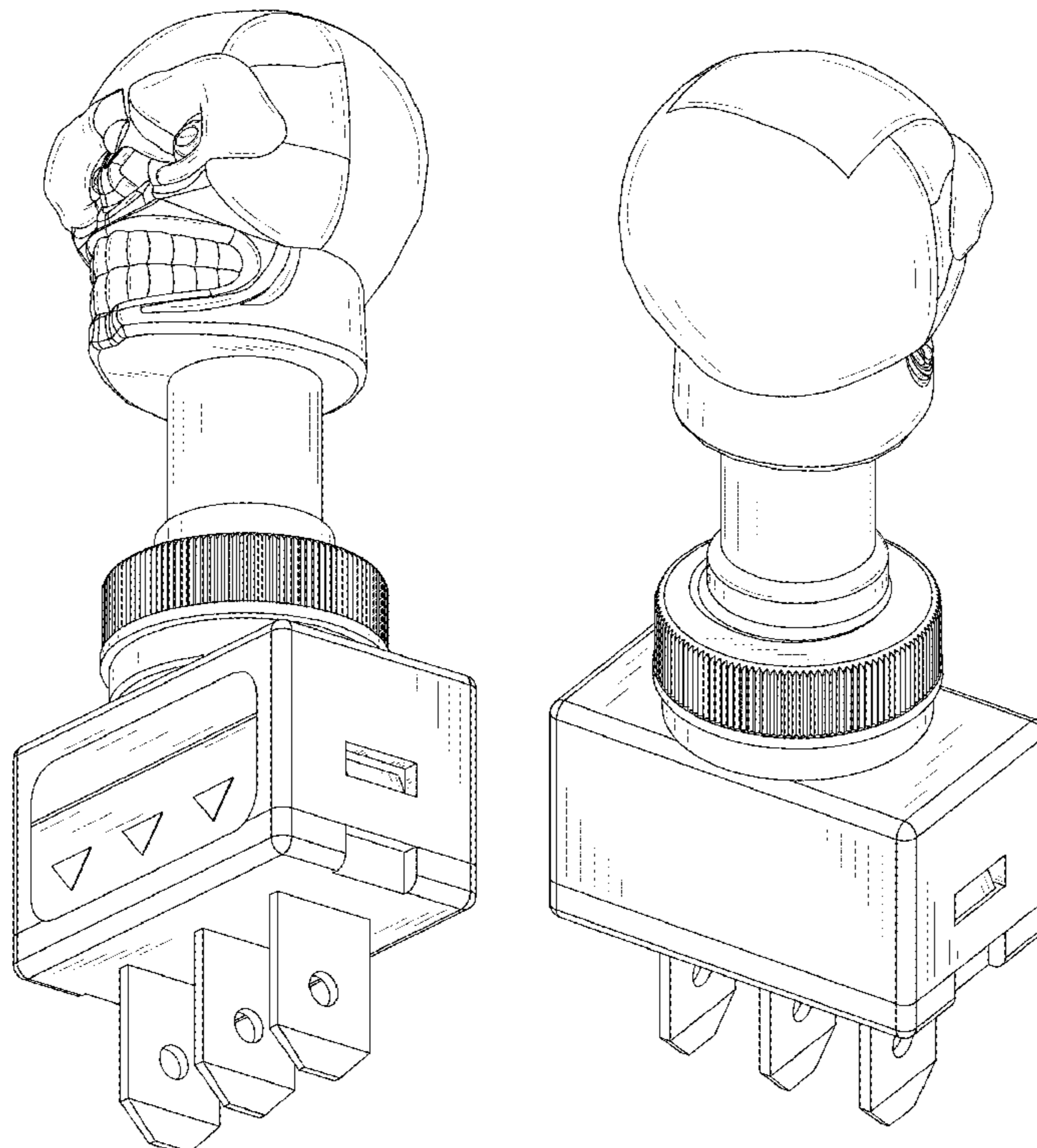
(57) **CLAIM**

The ornamental design for a skull-shaped switch, as shown and described.

**DESCRIPTION**

FIG. 1 is a front elevation of the skull-shaped switch showing our new design;  
FIG. 2 is a back elevation view thereof;  
FIG. 3 is a left elevation view thereof;  
FIG. 4 is a right elevation view thereof;  
FIG. 5 is a top view thereof;  
FIG. 6 is a bottom view thereof;  
FIG. 7 is a perspective view thereof;  
FIG. 8 is another perspective view thereof;  
FIG. 9 is another perspective view thereof; and,  
FIG. 10 is another perspective view thereof.

**1 Claim, 8 Drawing Sheets**



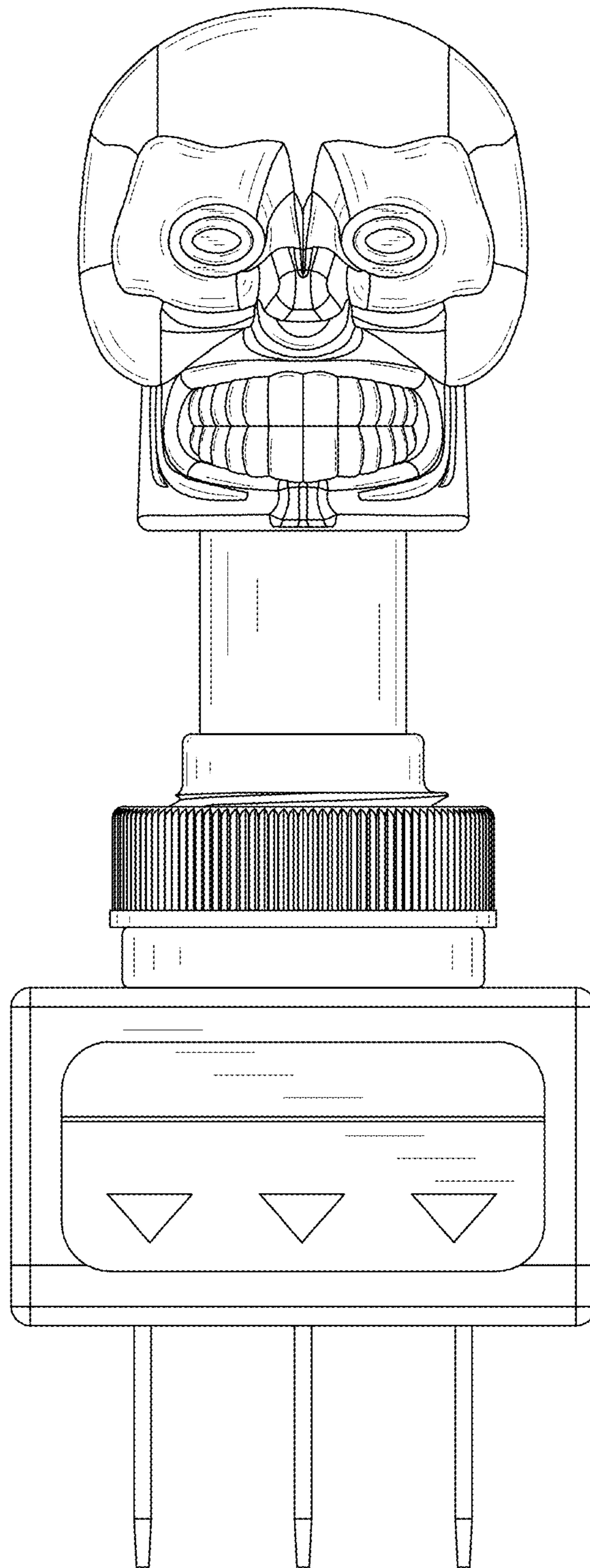


FIG. 1

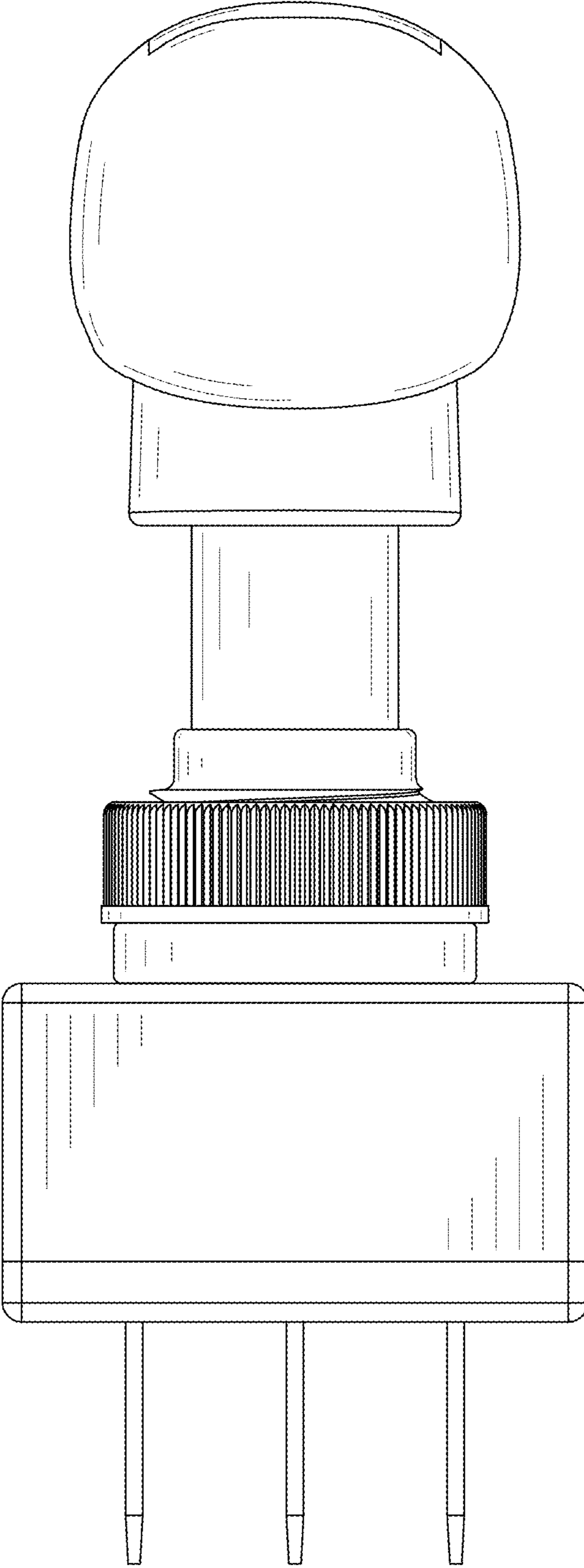


FIG.2

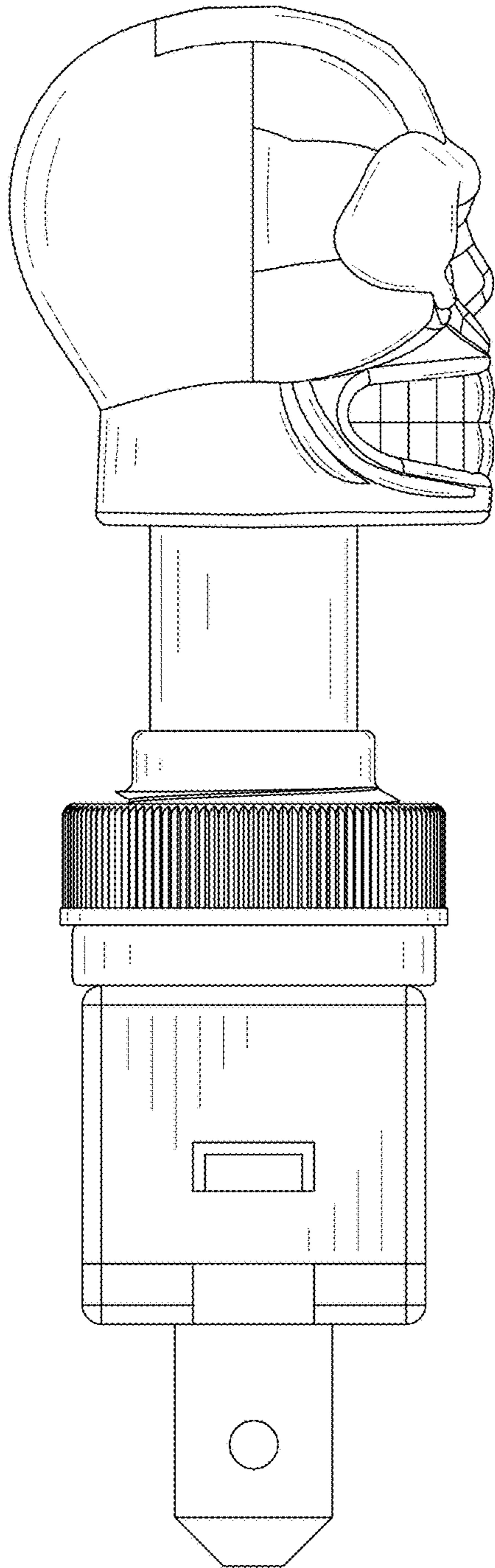


FIG.3

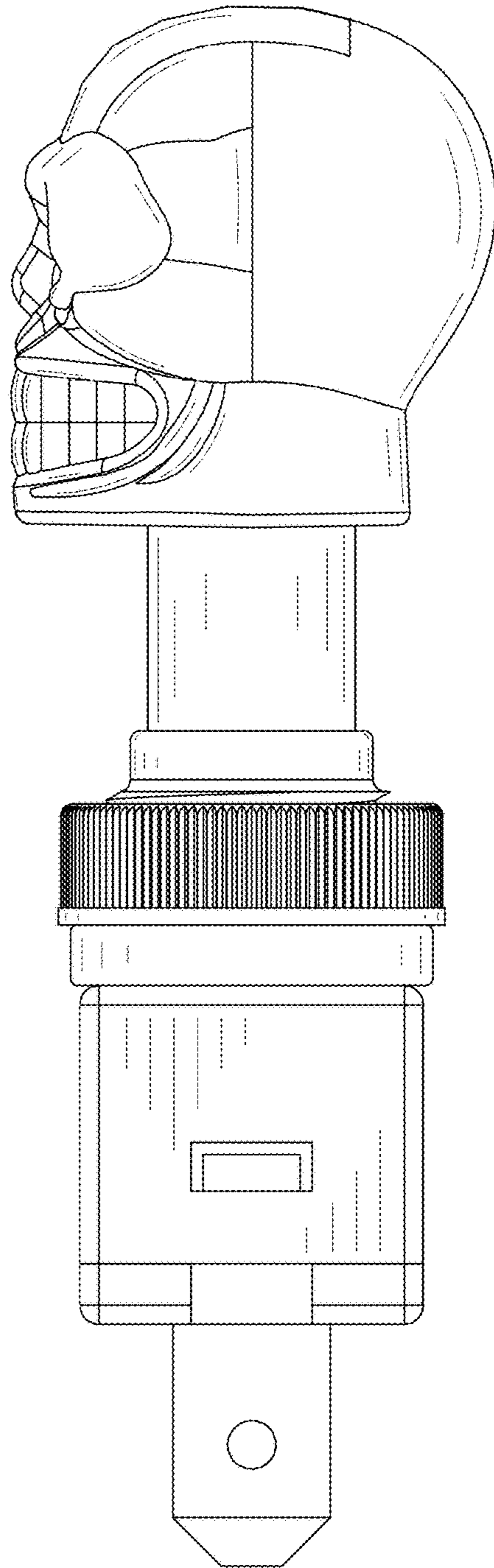


FIG.4

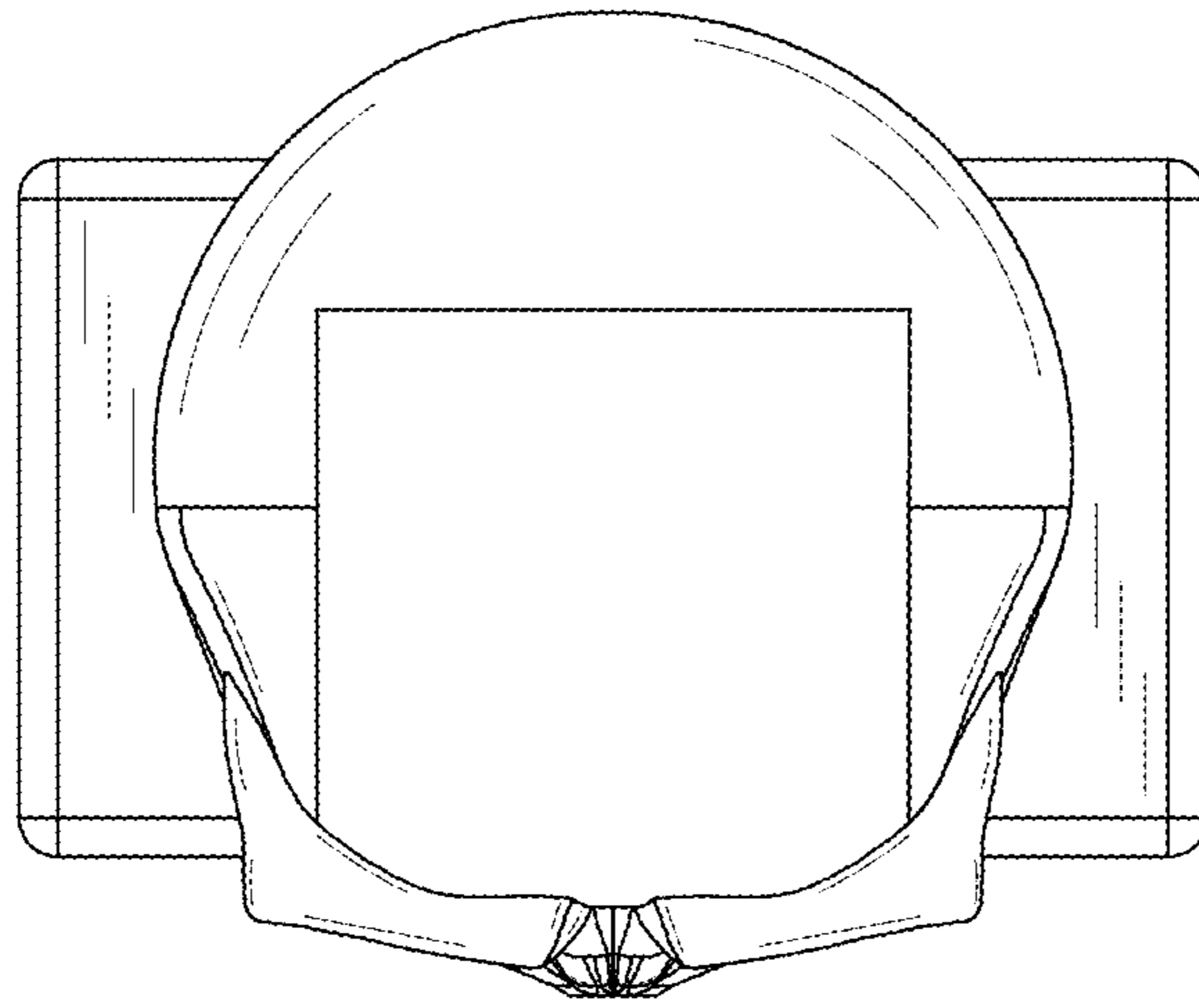


FIG. 5

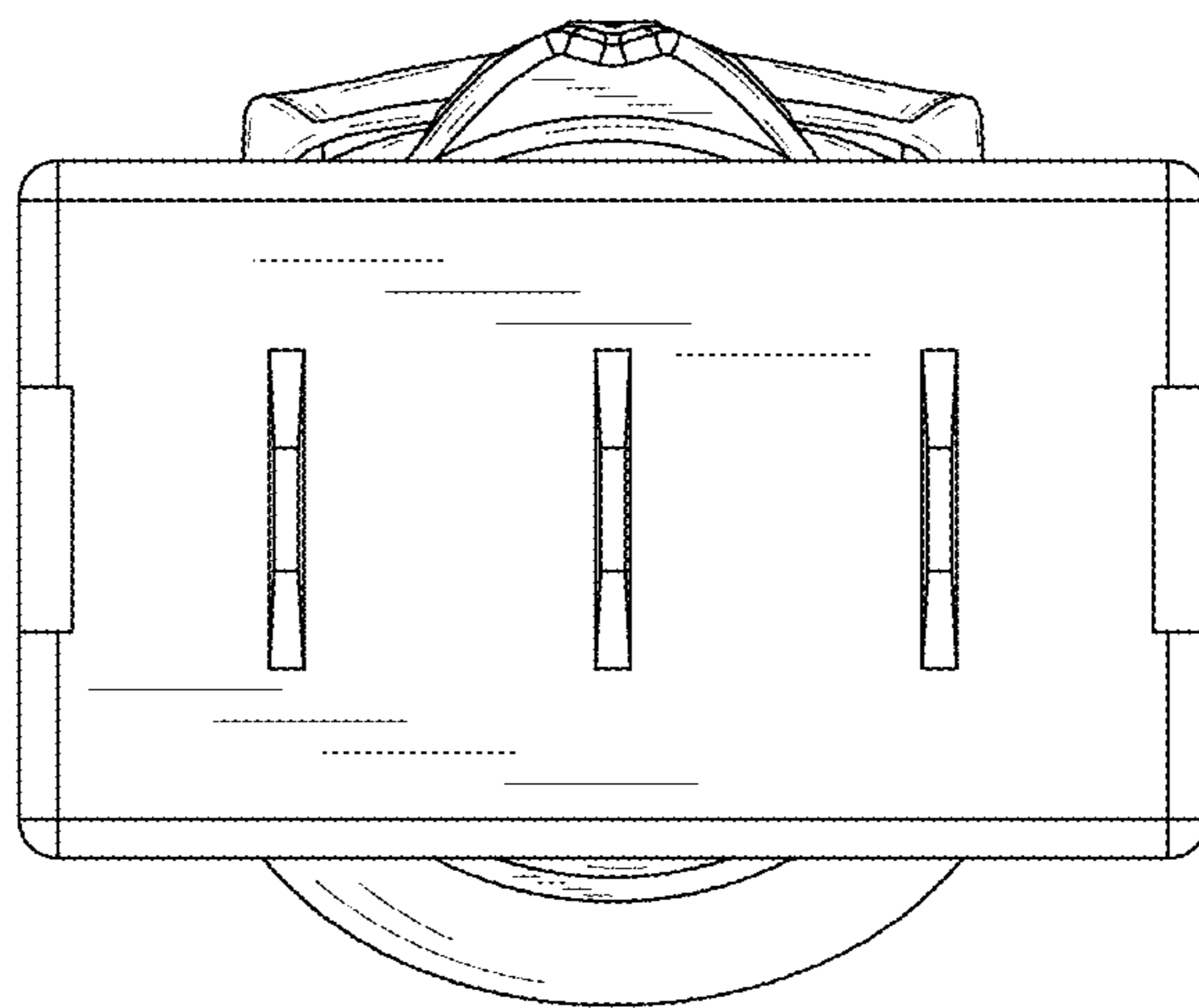


FIG. 6

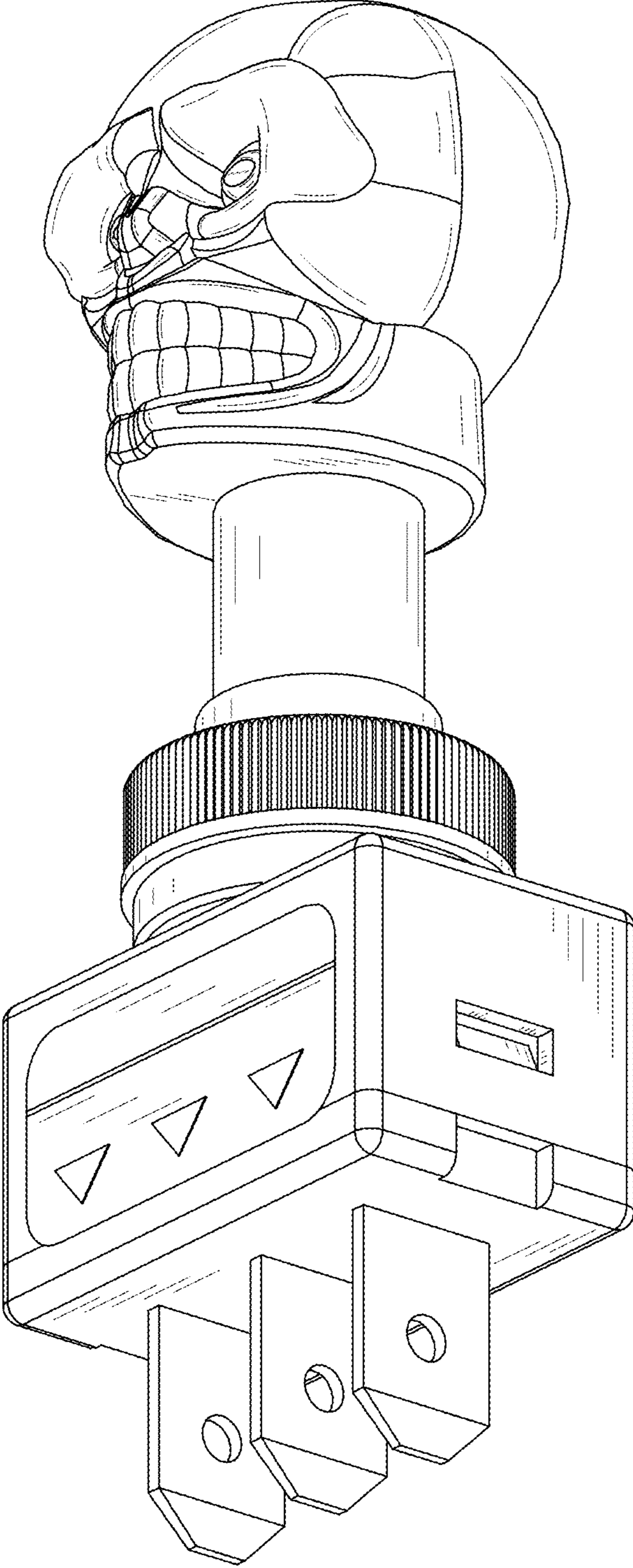


FIG. 7

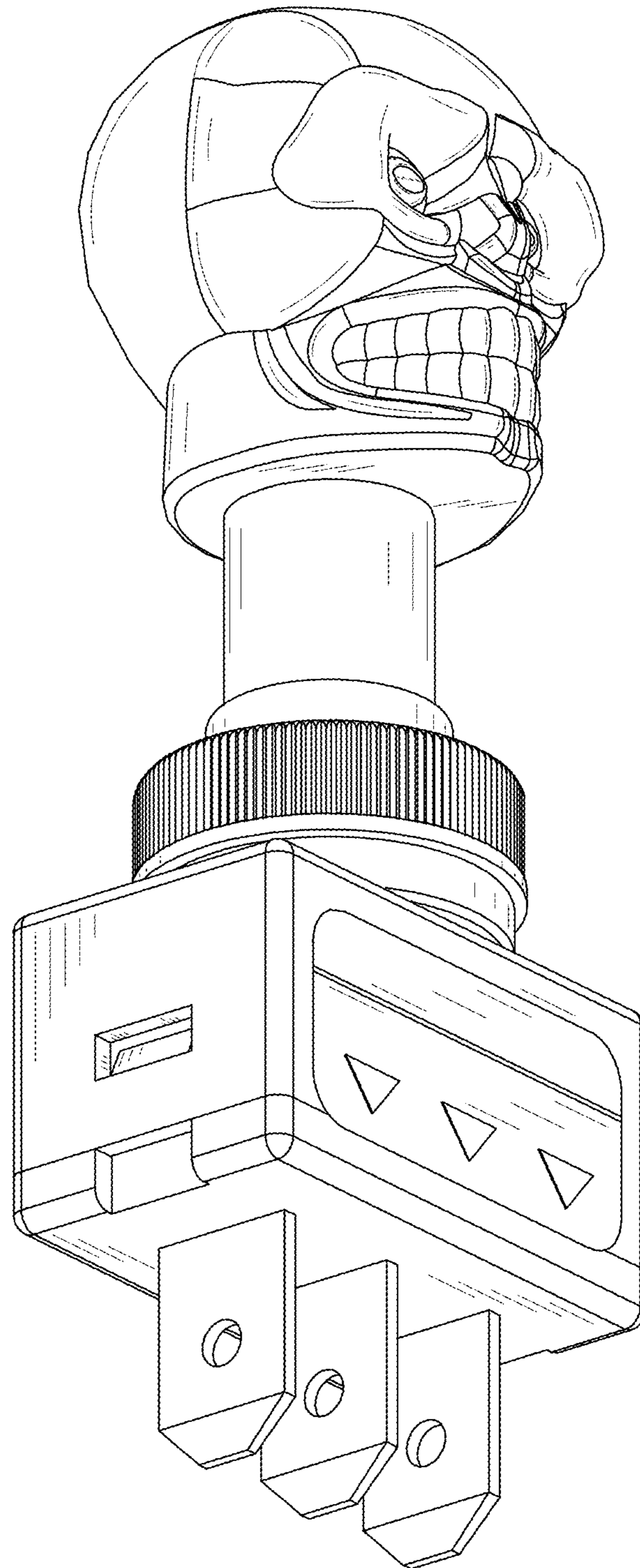


FIG.8

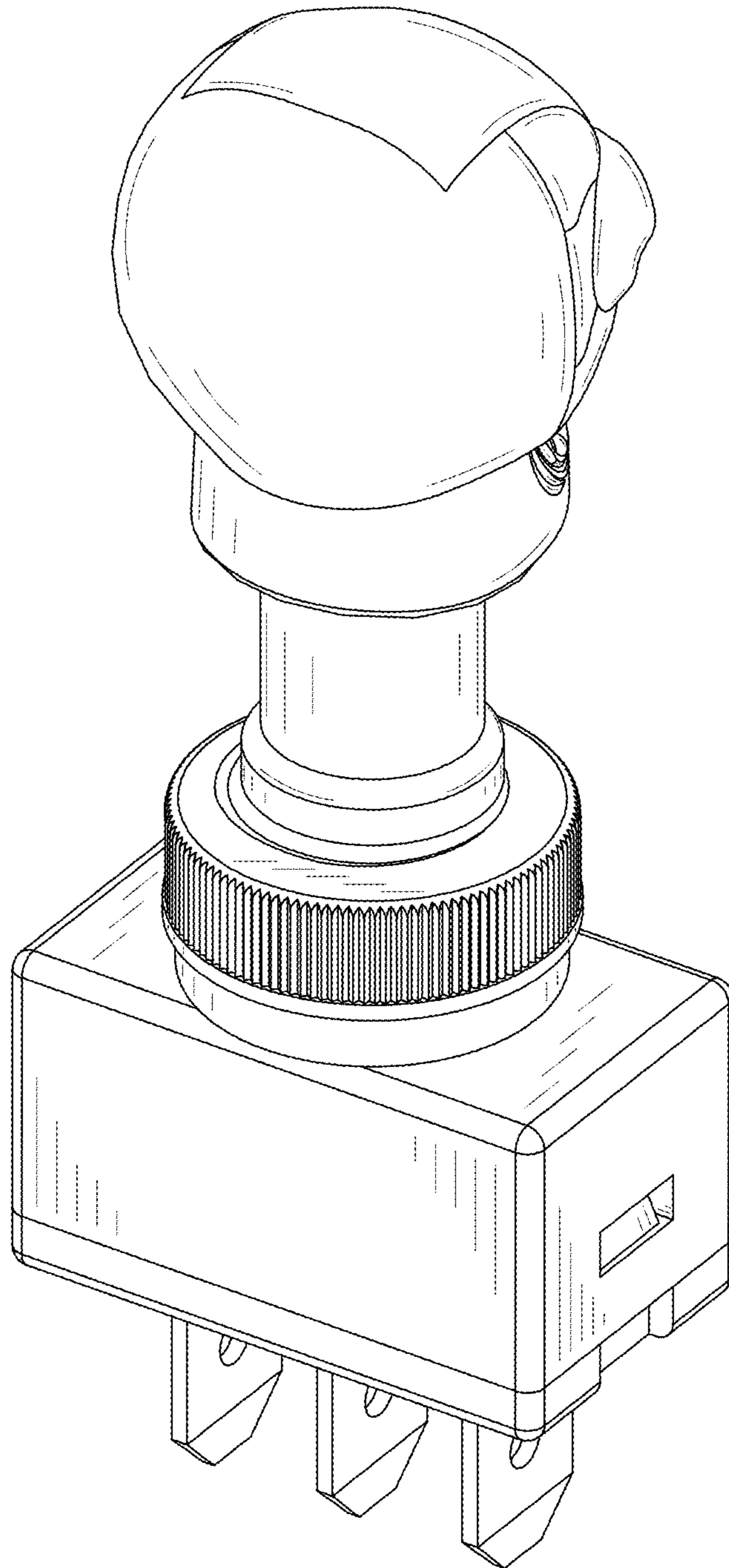


FIG.9



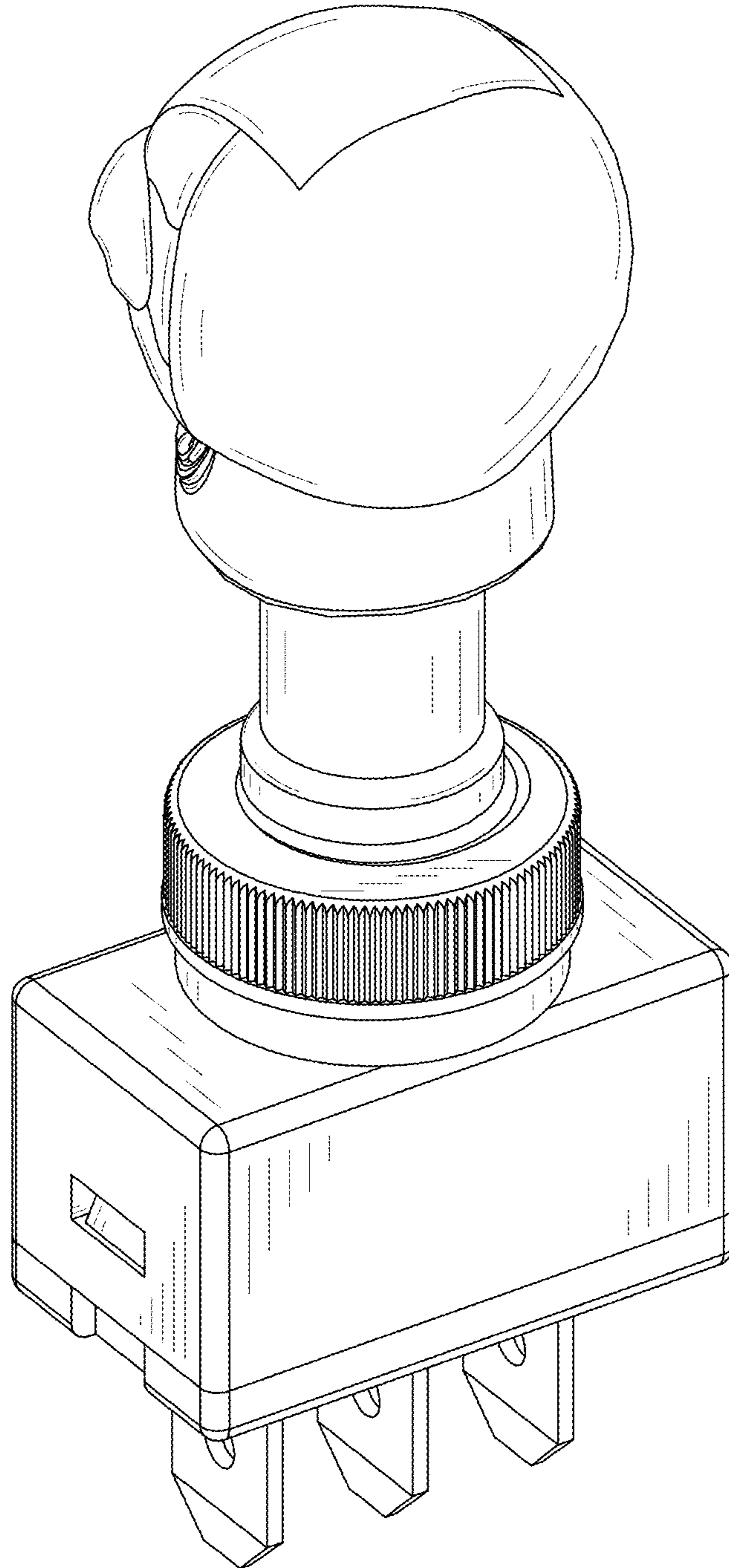


FIG. 10