

US00D800072S

(12) **United States Design Patent** (10) **Patent No.:** **US D800,072 S**
Moore (45) **Date of Patent:** **** Oct. 17, 2017**

(54) **ELECTRICAL CONNECTOR COVER**

(71) Applicant: **East Coast Innovations Pty Ltd,**
Kurrajong (AU)

(72) Inventor: **Jason Moore,** Kurrajong (AU)

(73) Assignee: **East Coast Innovations Pty. Ltd.,**
Kurrajong (AU)

(**) Term: **14 Years**

(21) Appl. No.: **29/518,130**

(22) Filed: **Feb. 20, 2015**

(30) **Foreign Application Priority Data**

Aug. 20, 2014 (AU) 201414116

(51) **LOC (10) Cl.** **13-03**

(52) **U.S. Cl.**
USPC **D13/156**

(58) **Field of Classification Search**

USPC D3/201, 202, 203.1; D24/121, 199;
D7/300, 300.1, 302, 303, 305, 308, 321,
D7/601, 602, 615, 703, 708.1, 619.1, 633,
D7/387, 396.1, 396.2, 500, 509, 510, 511,
D7/533, 536; D9/434, 435, 436, 440,
D9/442, 444, 445, 447, 449, 453, 454,
D9/446, 443, 723, 725, 728; D13/154,
D13/156

CPC A45D 34/00; B65D 41/00; B65D 83/00;
B65D 51/005; B65D 47/14; B65D 47/12;
B65D 41/04; B65D 25/42; B65D 51/20

See application file for complete search history.

(56) **References Cited**

U.S. PATENT DOCUMENTS

3,193,615 A * 7/1965 Burrows H01T 13/06
174/138 F
4,520,229 A * 5/1985 Luzzi H02G 15/184
174/73.1

4,614,390 A * 9/1986 Baker H01R 13/5205
439/275
4,890,467 A * 1/1990 Krause E05B 9/084
200/11 J
D360,875 S * 8/1995 Nakajima D13/156
D434,009 S * 11/2000 Lee D13/133
D437,294 S * 2/2001 Amin D13/133
D450,303 S * 11/2001 Milan D13/147
D453,322 S * 2/2002 Lee D13/133
D453,323 S * 2/2002 Conrad D13/154
D457,499 S * 5/2002 Wingo D13/156
D473,194 S * 4/2003 Lee D13/133
D473,524 S * 4/2003 Koehler D13/156
D481,012 S * 10/2003 Eck D13/156
D495,661 S * 9/2004 Chawgo D13/151
D507,742 S * 7/2005 Haggard D9/434
D523,821 S * 6/2006 Michaud D13/156
D530,608 S * 10/2006 Nukuto D9/443
D546,179 S * 7/2007 Kunesh D9/445

(Continued)

Primary Examiner — Robert M Spear

Assistant Examiner — Marissa J Cash

(74) *Attorney, Agent, or Firm* — Price Heneveld LLP

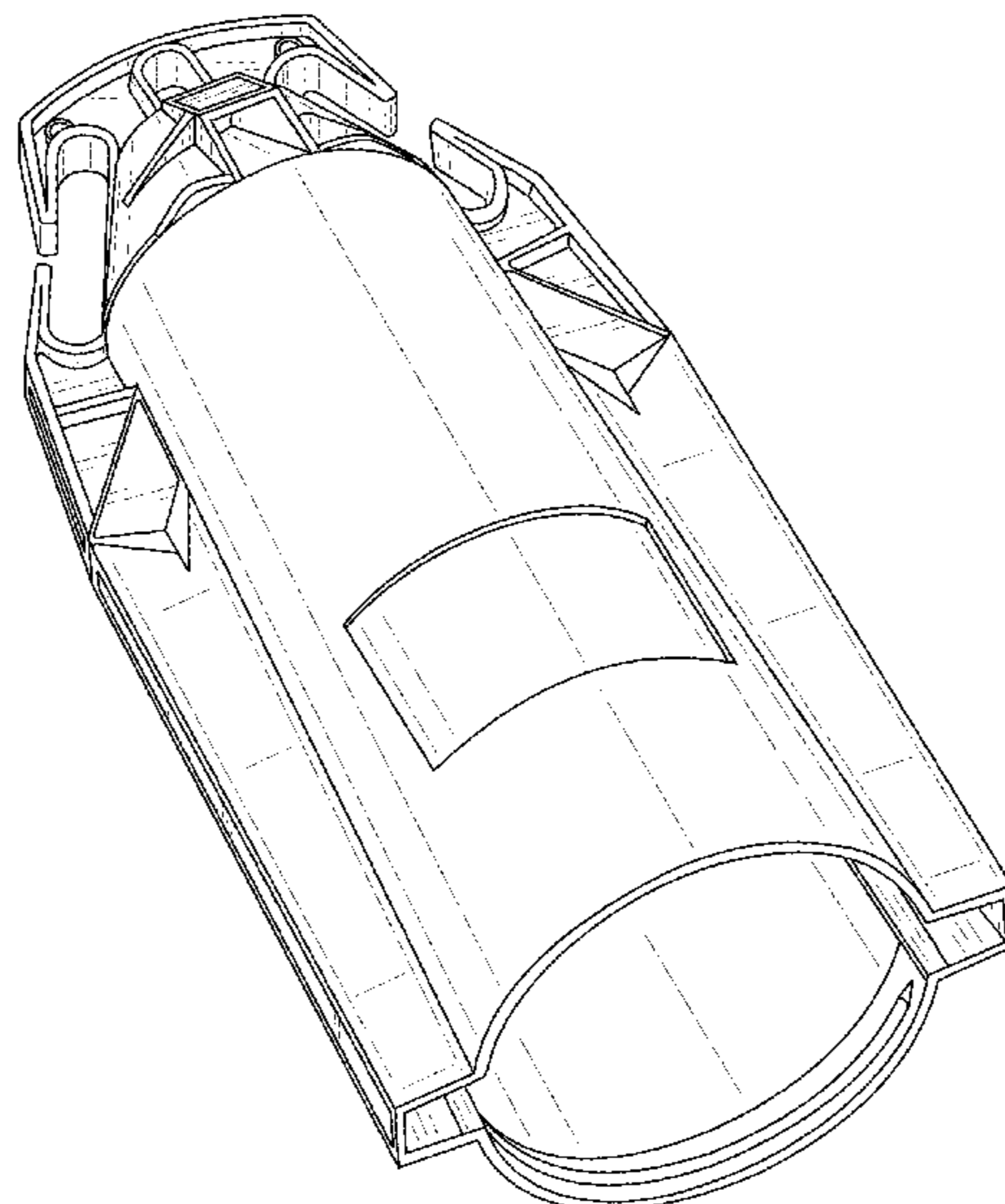
(57) **CLAIM**

The ornamental design for an electrical connector cover, as shown and described.

DESCRIPTION

FIG. 1 is a perspective view of an electrical connector cover showing my new design, without a lid;
 FIG. 2 is a front view thereof, the rear view being mirror symmetrical;
 FIG. 3 is a left side view thereof;
 FIG. 4 is a right side view thereof;
 FIG. 5 is a top view thereof;
 FIG. 6 is a bottom view thereof; and,
 FIG. 7 is a perspective view thereof, showing the electrical connector cover with a lid.

1 Claim, 7 Drawing Sheets



(56)

References Cited

U.S. PATENT DOCUMENTS

D551,628	S	*	9/2007	Meier	D13/154
D583,224	S	*	12/2008	Holdsworth	D8/382
D596,135	S	*	7/2009	Sakamoto	D13/154
D619,893	S	*	7/2010	Fiore	D9/435
D623,059	S	*	9/2010	Holmes	D9/435
D637,907	S	*	5/2011	Maxa	D9/452
D645,408	S	*	9/2011	Chartrand	D13/154
D658,982	S	*	5/2012	Pauser	D9/435
D658,984	S	*	5/2012	Pauser	D9/435
D671,899	S	*	12/2012	Verhoeven	H02G 15/007 D13/156
D679,662	S	*	4/2013	Svelnis	D13/133
D706,227	S	*	6/2014	Jiang	D13/156
D713,357	S	*	9/2014	Wang	D13/156
D716,965	S	*	11/2014	Fruscella	D24/224
D718,131	S	*	11/2014	Brown	D9/447
D731,310	S	*	6/2015	Demey	D9/434
D744,432	S	*	12/2015	Kim	D13/154

* cited by examiner

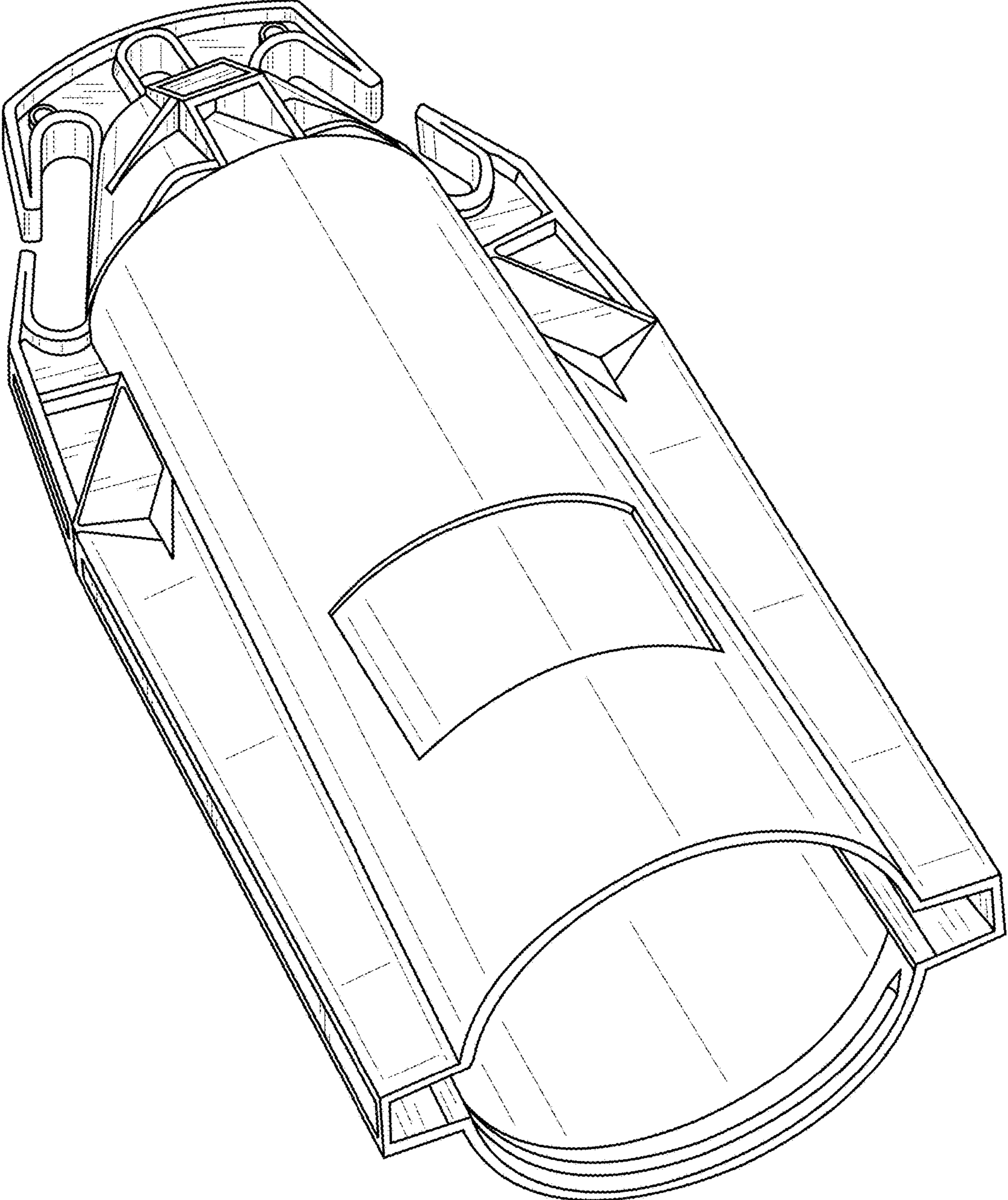


FIG. 1

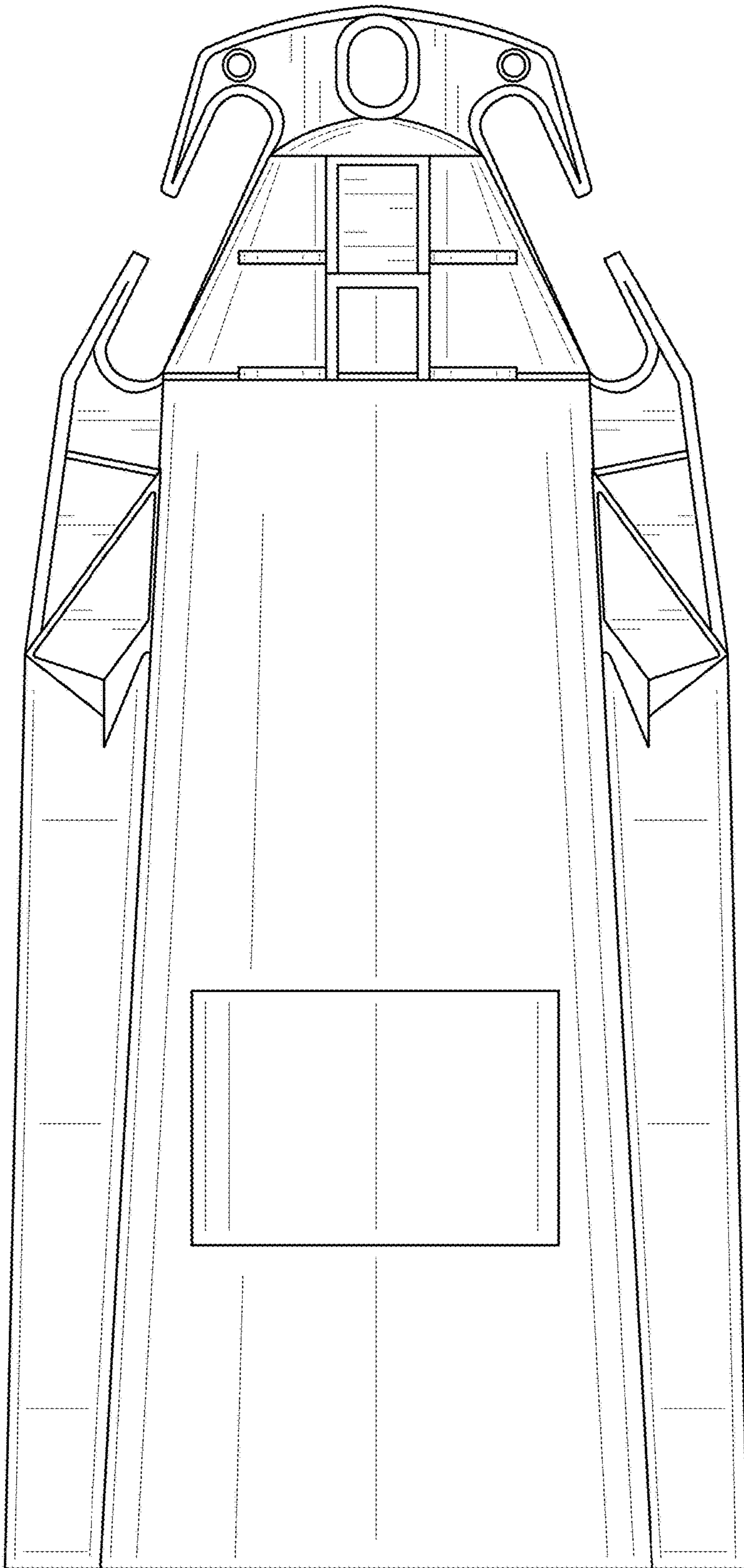


FIG. 2

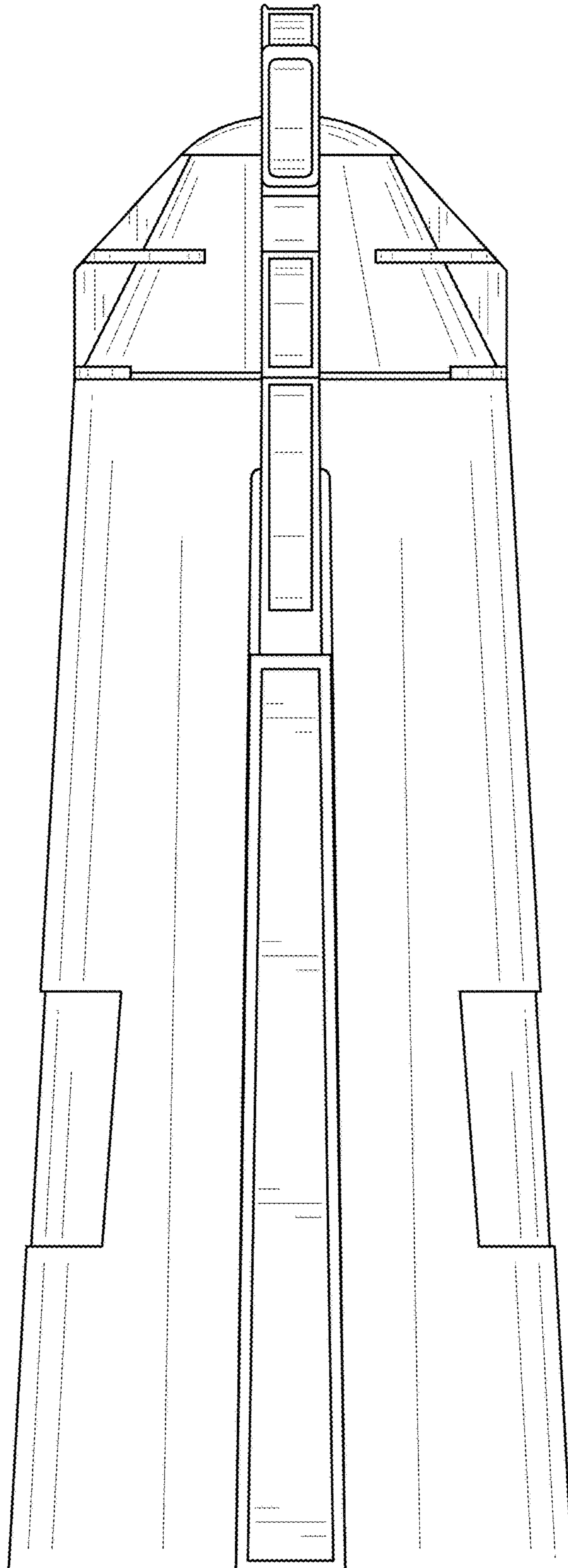


FIG. 3

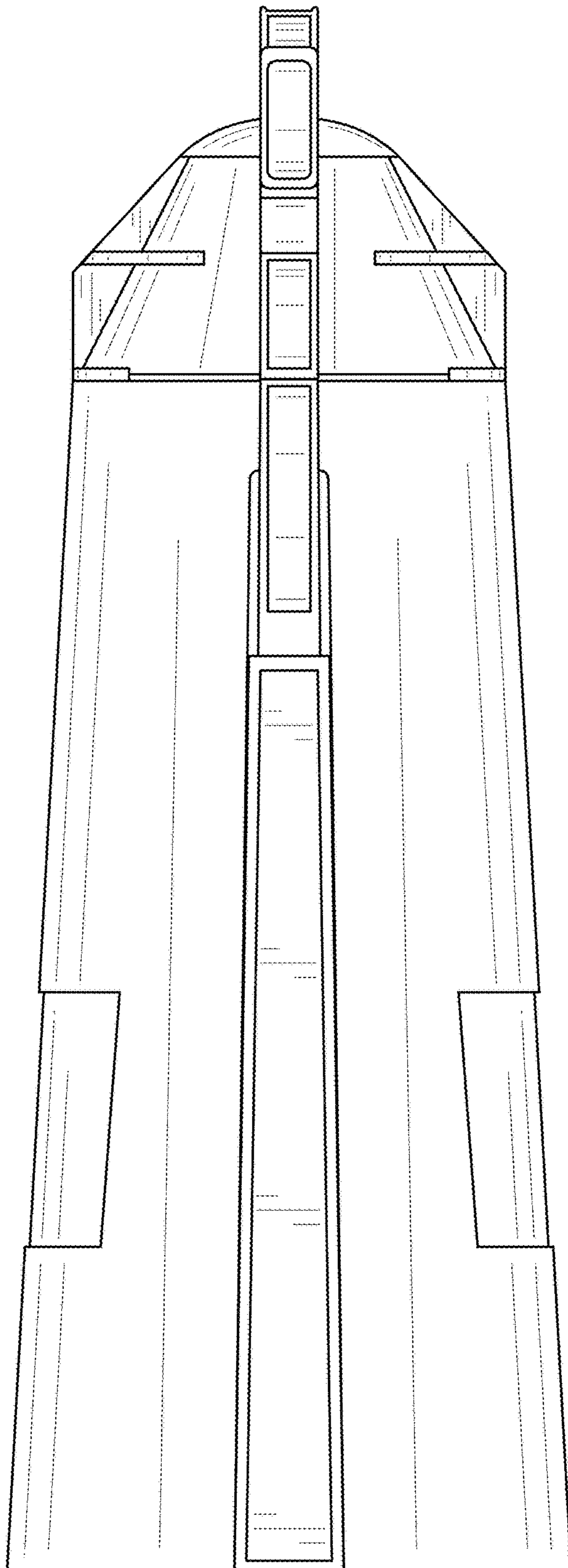


FIG. 4

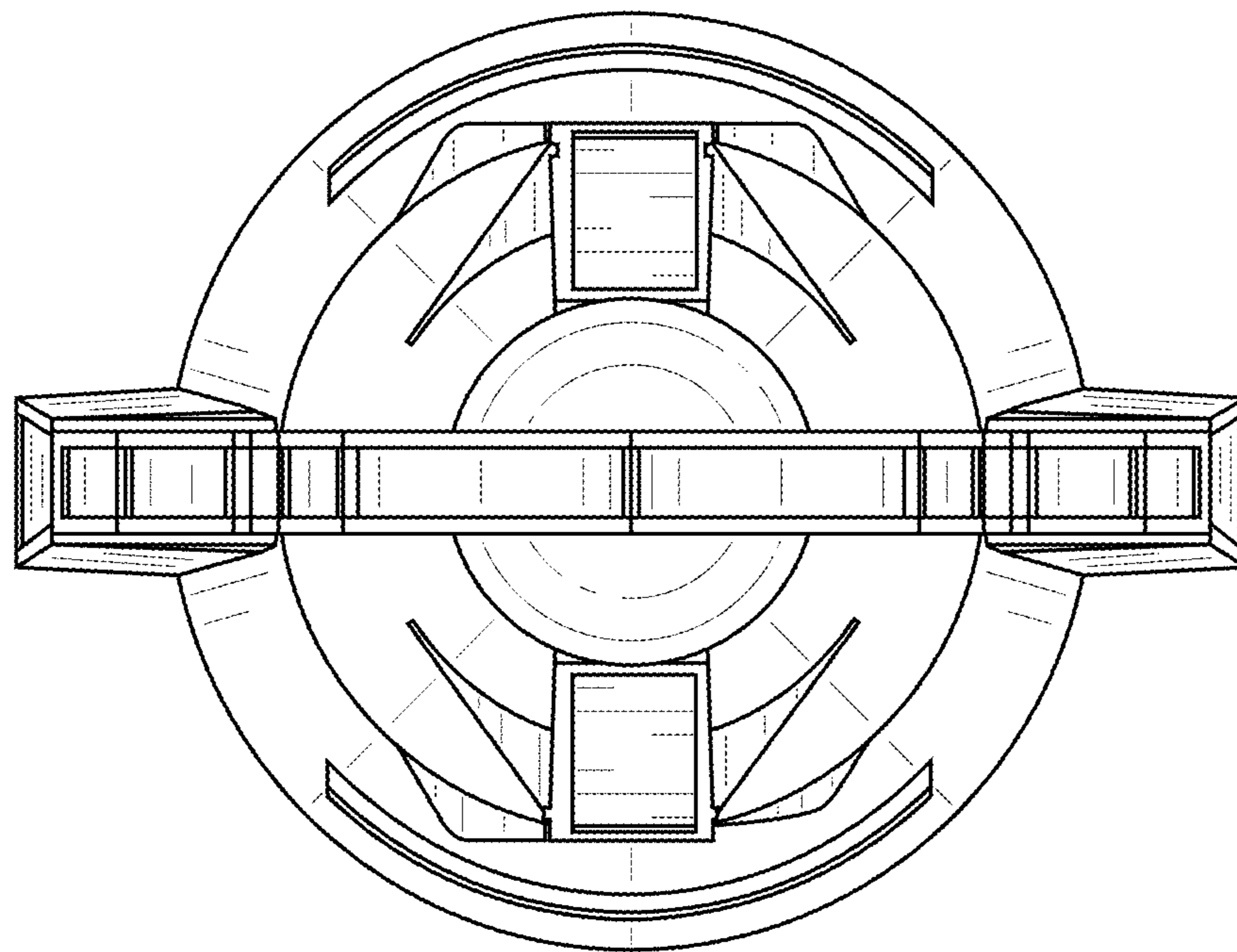


FIG. 5

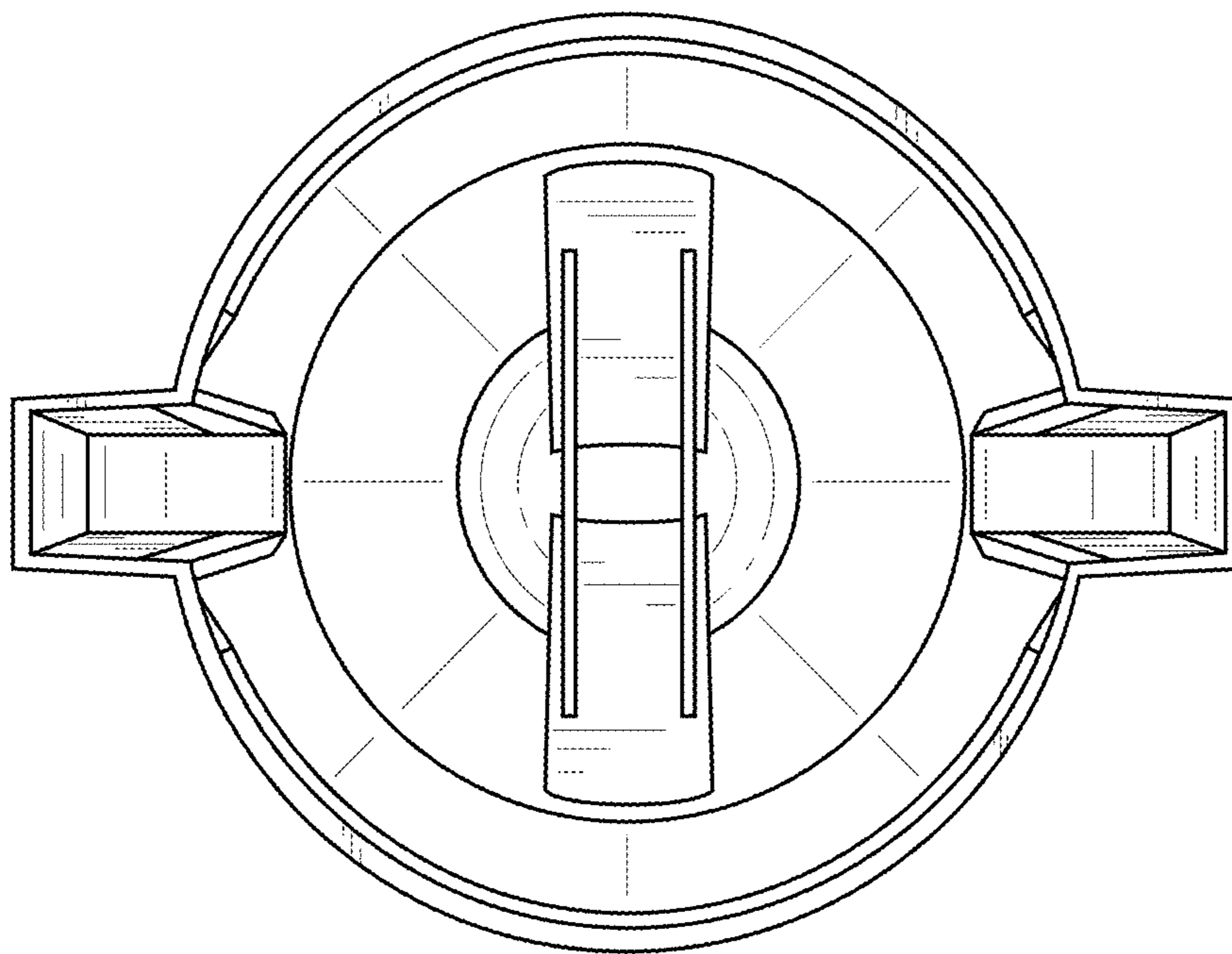


FIG. 6

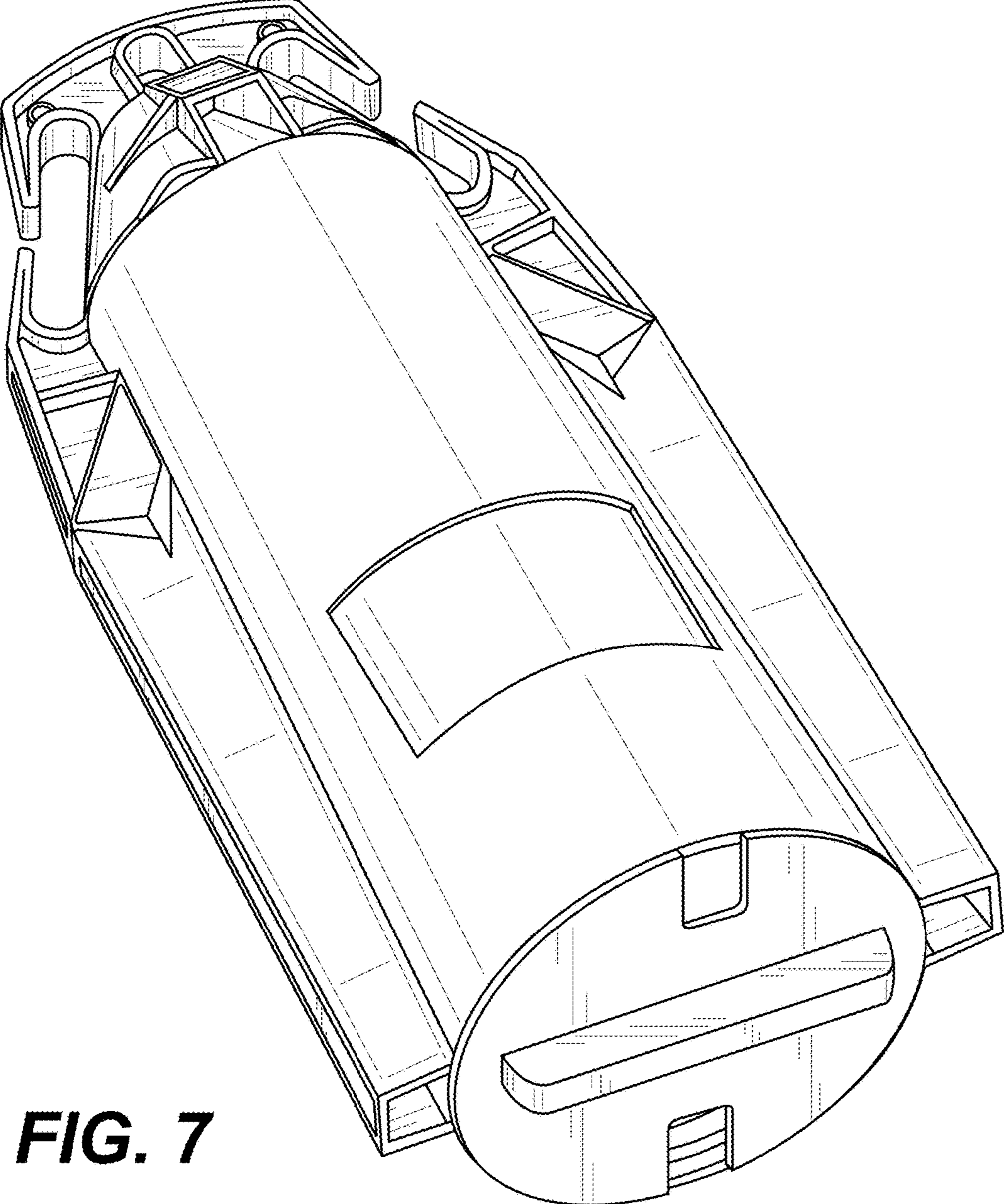


FIG. 7