

US00D800070S

(12) **United States Design Patent**
Manba

(10) **Patent No.:** **US D800,070 S**
(45) **Date of Patent:** **** Oct. 17, 2017**

(54) **ELECTRIC CONNECTOR**

(71) Applicant: **KYOCERA Corporation**, Kyoto-shi,
Kyoto (JP)

(72) Inventor: **Yousuke Manba**, Yokohama (JP)

(73) Assignee: **KYOCERA CORPORATION**,
Kyoto-shi, Kyoto (JP)

(**) Term: **15 Years**

(21) Appl. No.: **29/539,023**

(22) Filed: **Sep. 10, 2015**

(30) **Foreign Application Priority Data**

Jun. 16, 2015 (JP) 2015-013303

(51) **LOC (10) Cl.** **13-03**

(52) **U.S. Cl.**
USPC **D13/147**

(58) **Field of Classification Search**

USPC D13/120, 133, 146, 147, 154, 184, 199;
D14/432, 433, 435, 435.1, 436, 437, 438
CPC H01R 12/51; H01R 12/52; H01R 12/592;
H01R 12/61; H01R 12/70; H01R
12/7005; H01R 12/71; H01R 12/72;
H01R 12/73; H01R 12/732; H01R
12/737; H01R 12/77; H01R 12/774;
H01R 12/777; H01R 12/778; H01R
12/79; H01R 13/516

See application file for complete search history.

(56) **References Cited**

U.S. PATENT DOCUMENTS

D471,869 S * 3/2003 Hirose D13/147
D495,997 S * 9/2004 Kuroki D13/147

D589,895 S * 4/2009 Yuan D13/147
D595,655 S * 7/2009 Huang D13/147
D729,173 S * 5/2015 Fukumoto D13/147

FOREIGN PATENT DOCUMENTS

JP 1186981 S 10/2003
JP 1524490 S 5/2015

* cited by examiner

Primary Examiner — Daniel Bui

(74) *Attorney, Agent, or Firm* — Kenja IP Law PC

(57) **CLAIM**

The ornamental design for an electric connector, substantially as shown.

DESCRIPTION

FIG. 1 is a top view of an electric connector in an open state showing my new design;

FIG. 2 is a front view thereof;

FIG. 3 is a bottom view thereof;

FIG. 4 is a rear view thereof;

FIG. 5 is a right-hand side view thereof, left-hand side view being a minor image thereof;

FIG. 6 is a top, front, and right-hand side perspective view thereof;

FIG. 7 is a top view of the electric connector shown in FIG. 1 in a closed state showing my new design;

FIG. 8 is a front view thereof;

FIG. 9 is a bottom view thereof;

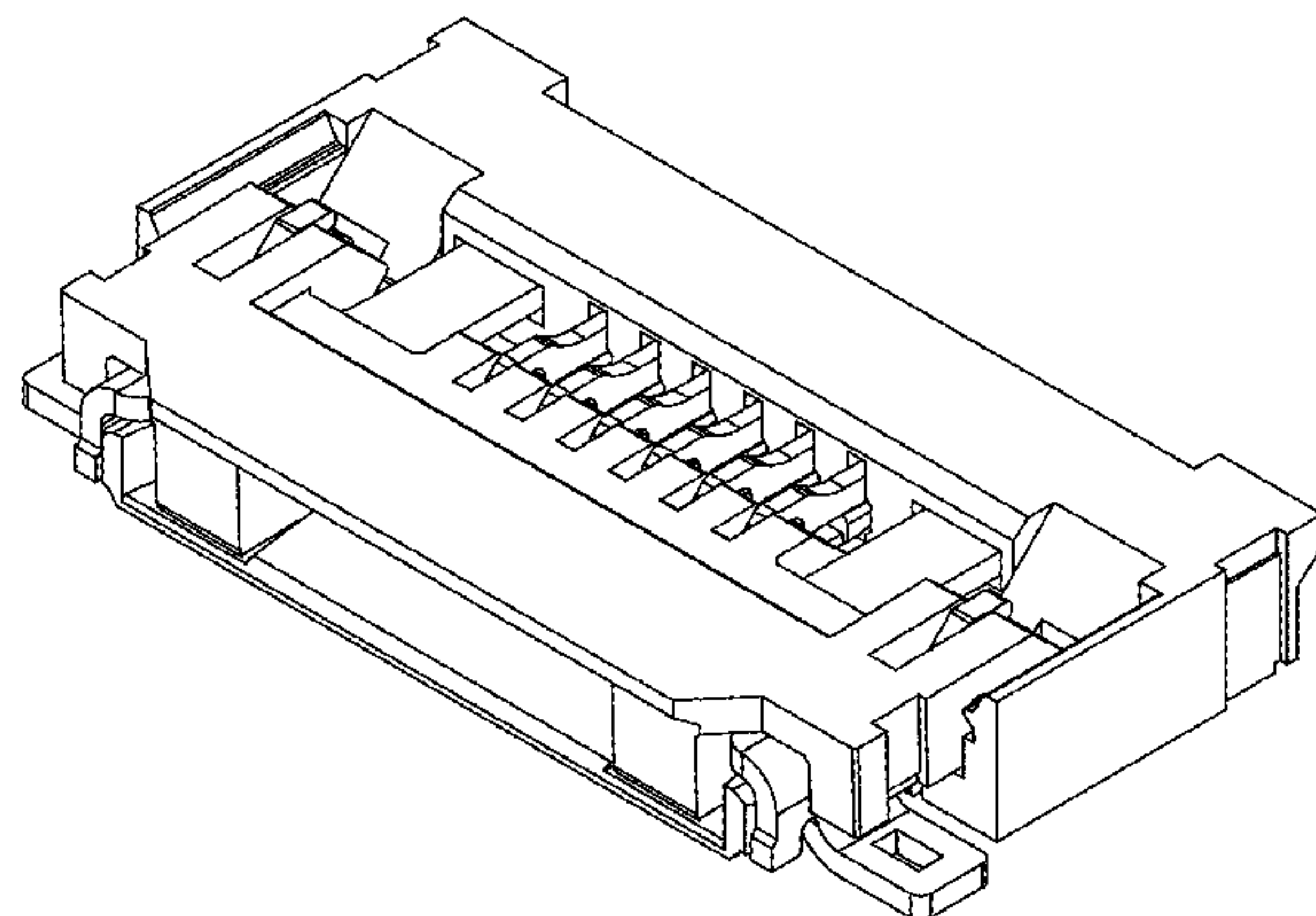
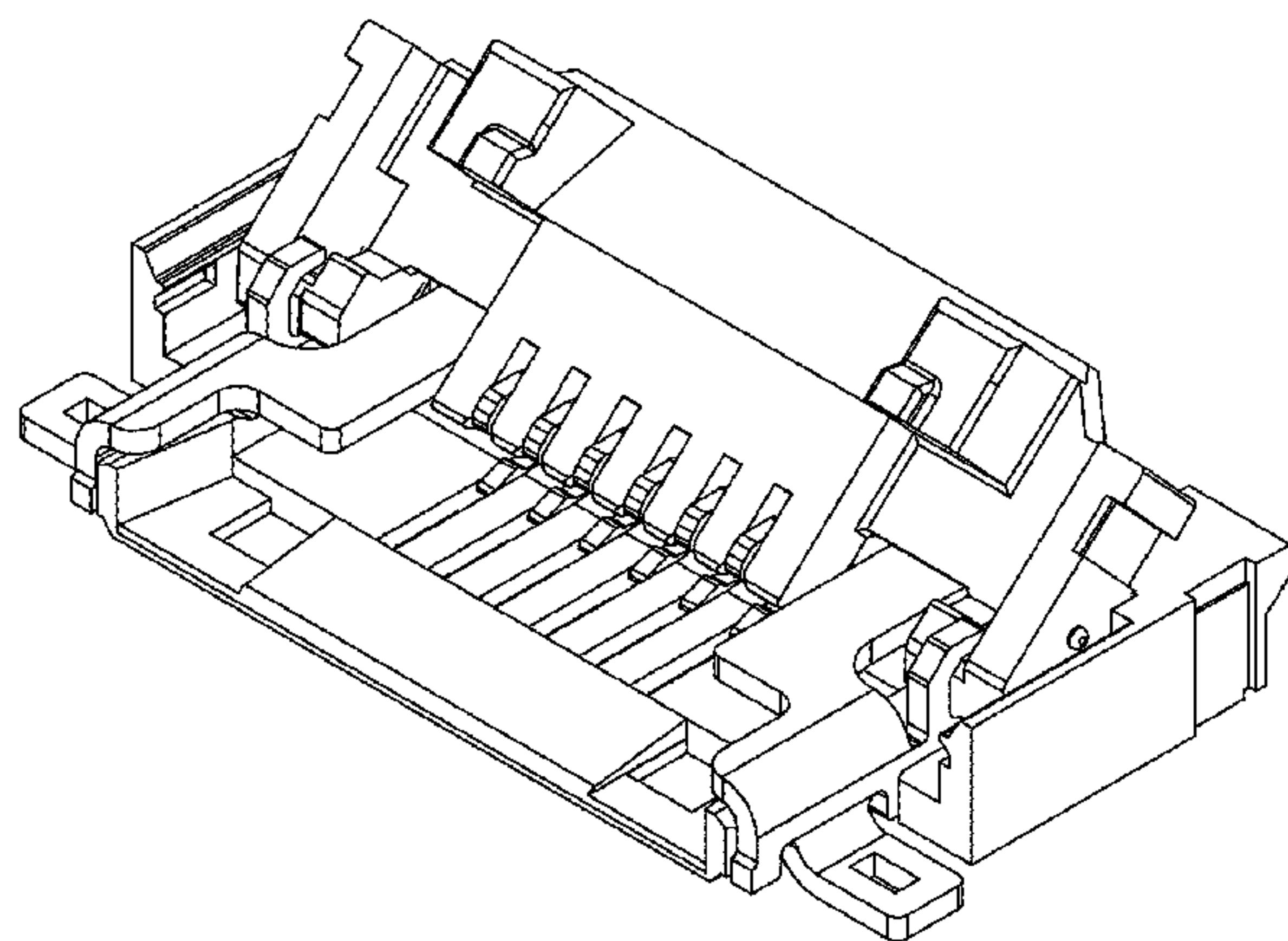
FIG. 10 is a rear view thereof;

FIG. 11 is a right-hand side view thereof, left-hand side view being a minor image thereof; and,

FIG. 12 is a top, front, and right-side perspective view thereof.

In the drawings, the broken lines depict environmental subject matter only and form no part of the claimed design.

1 Claim, 6 Drawing Sheets



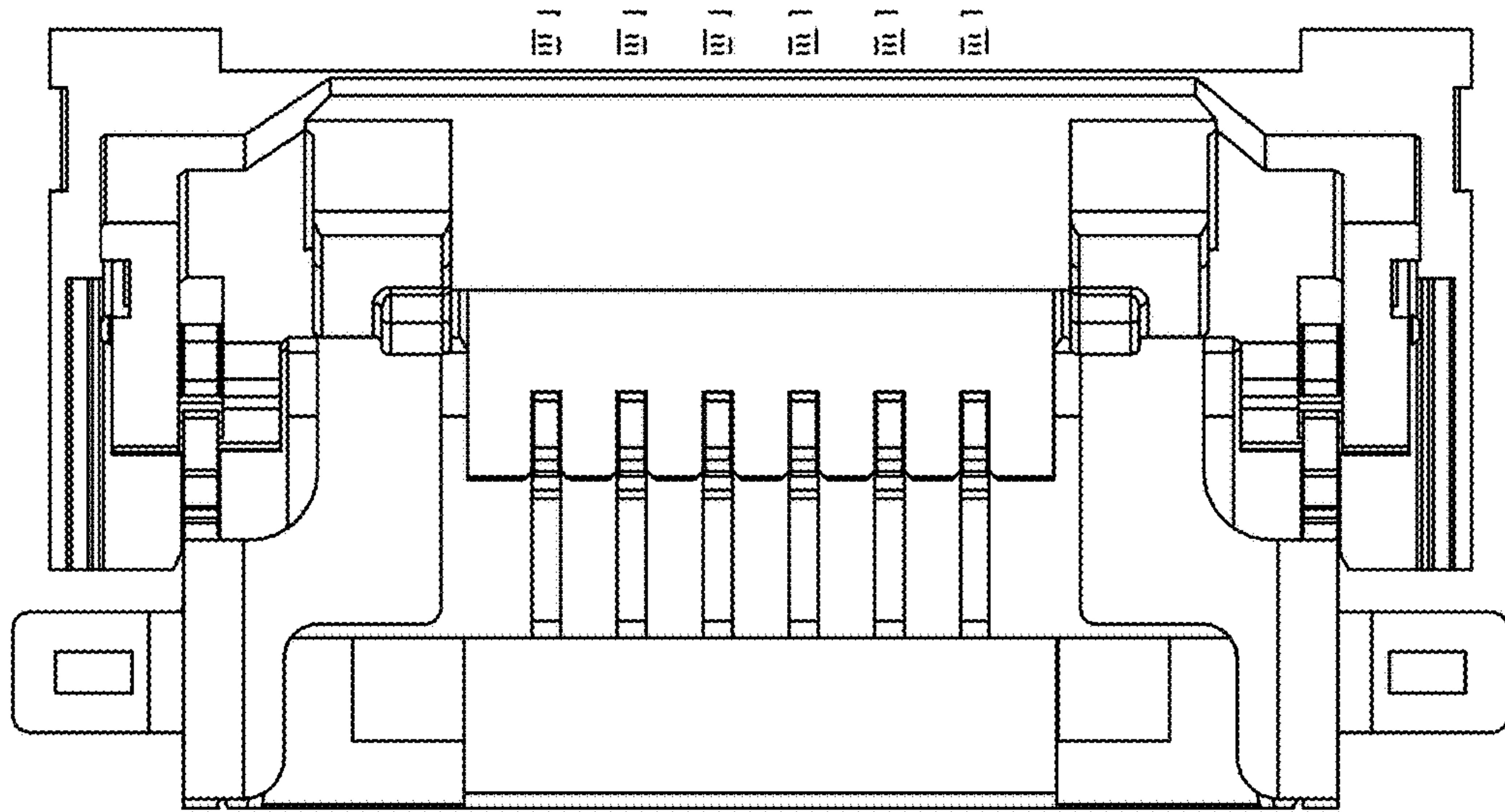


FIG.1

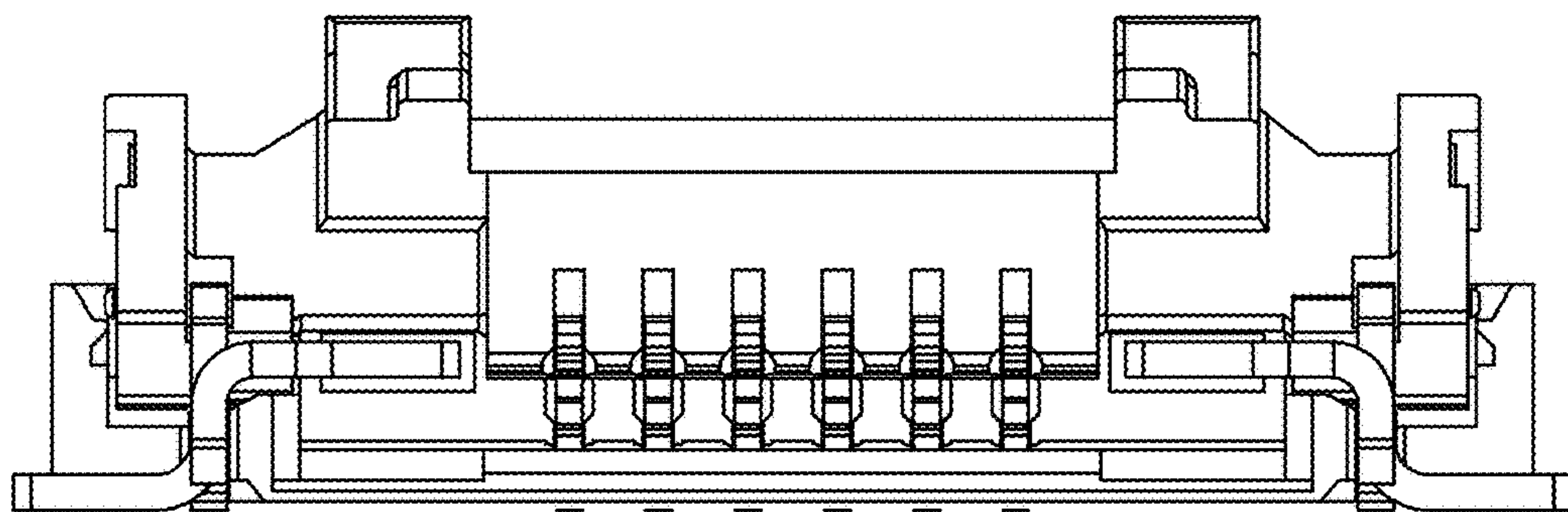


FIG.2

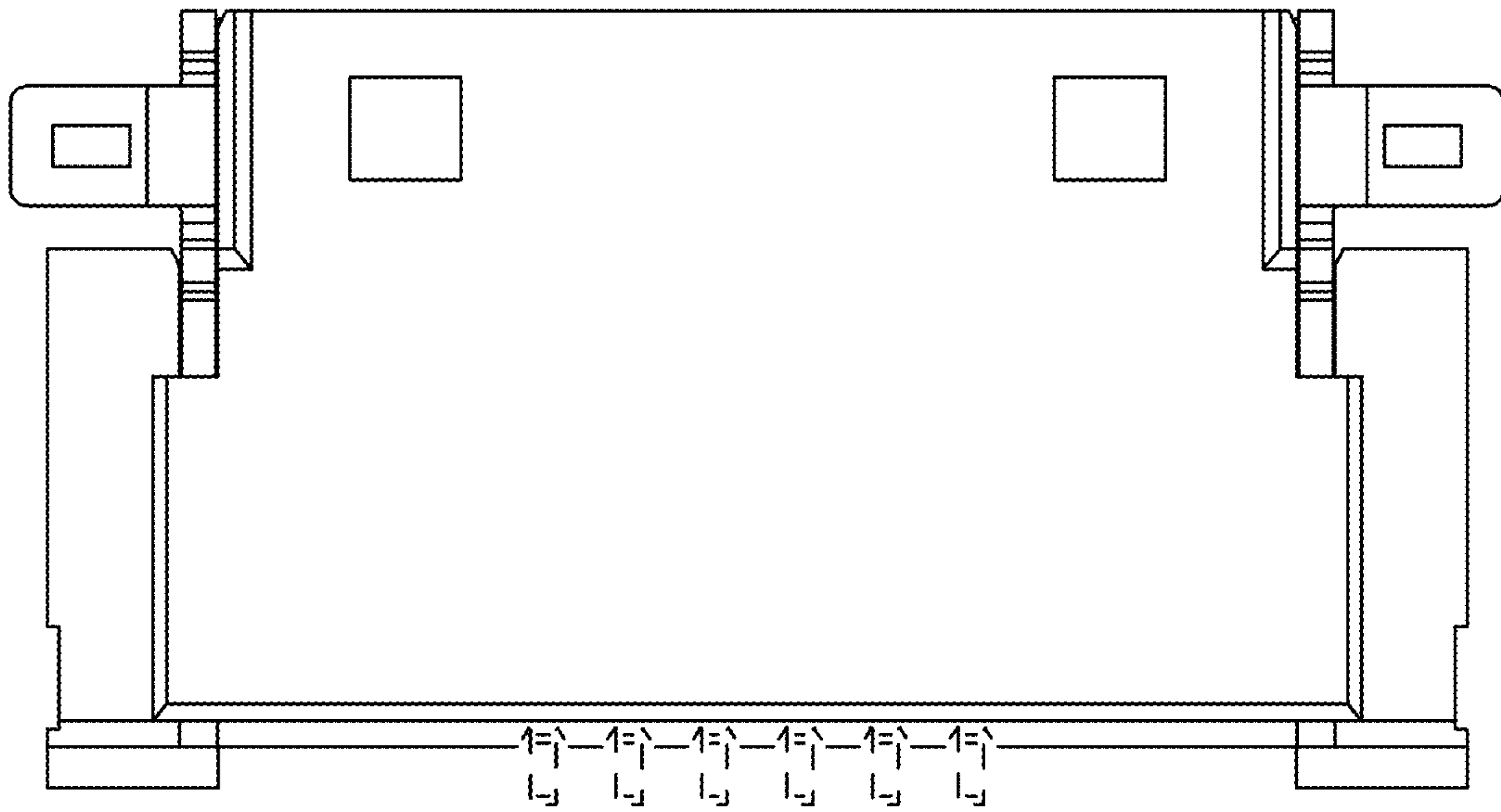


FIG.3

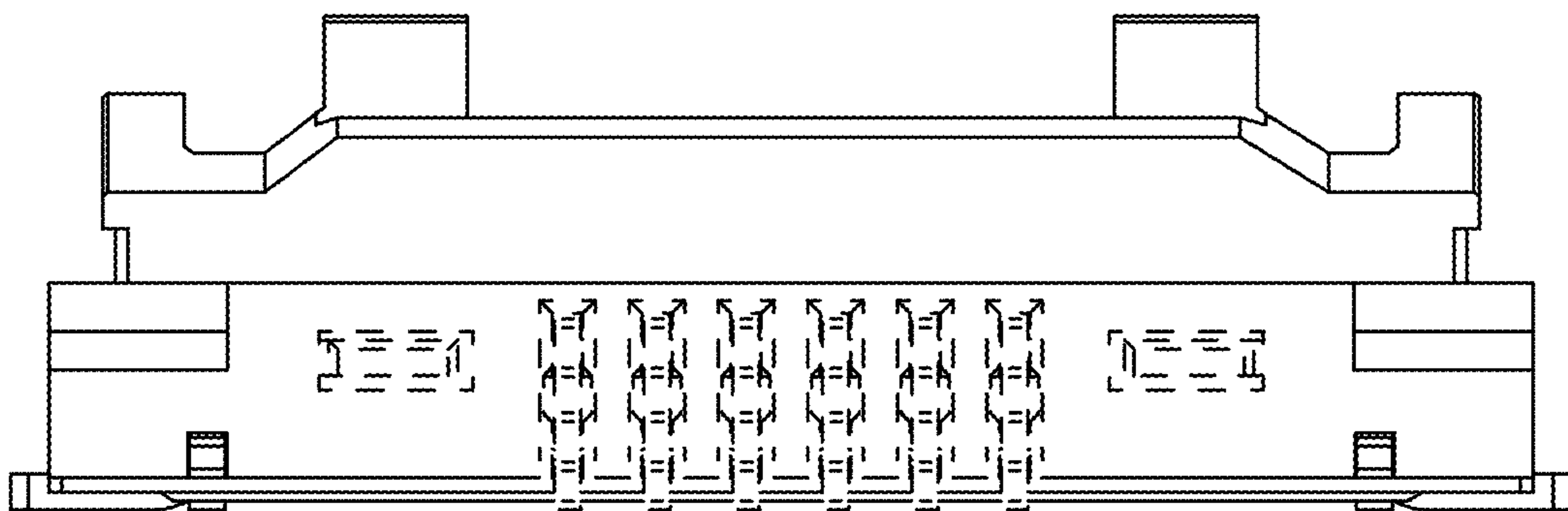


FIG.4

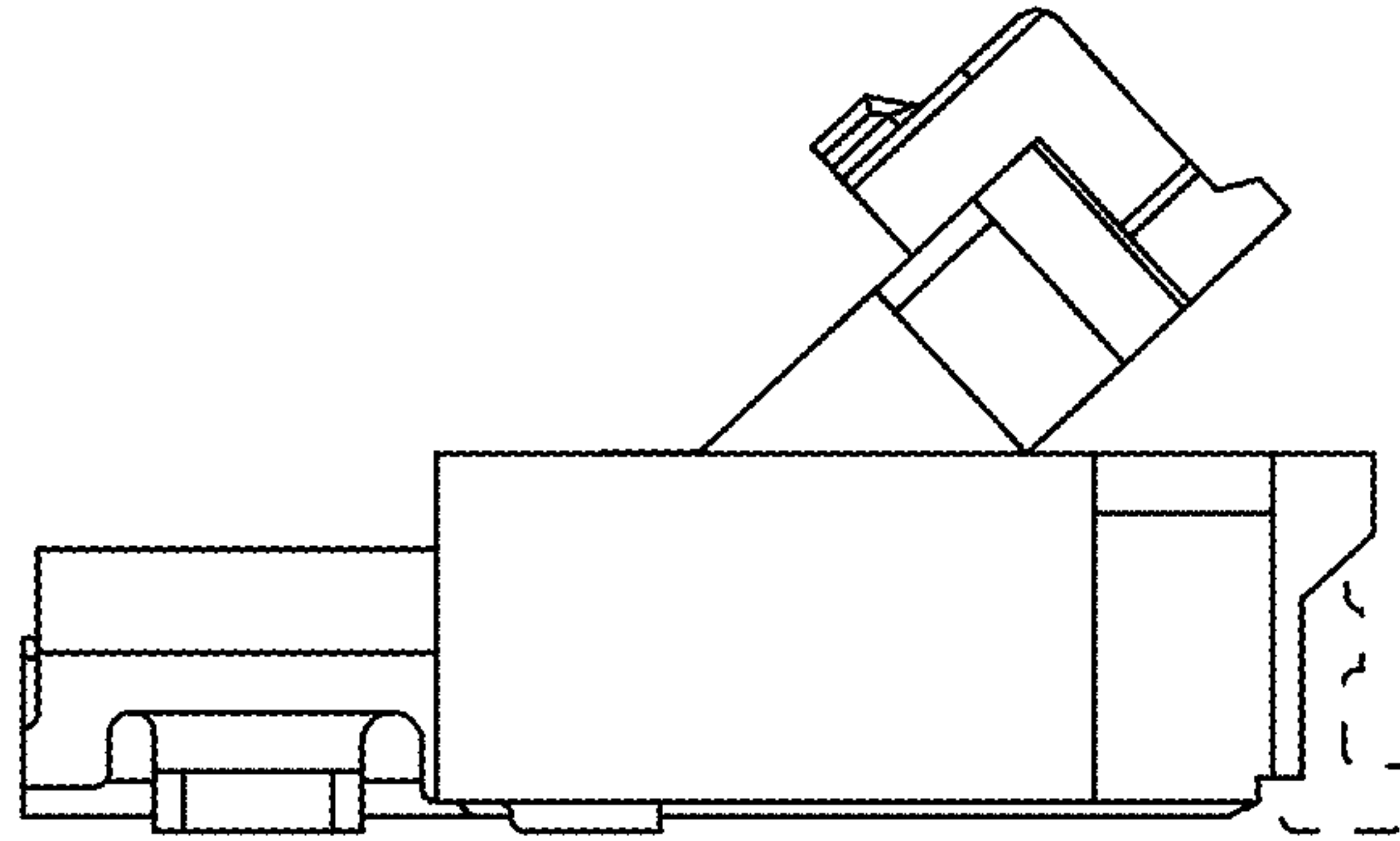


FIG. 5

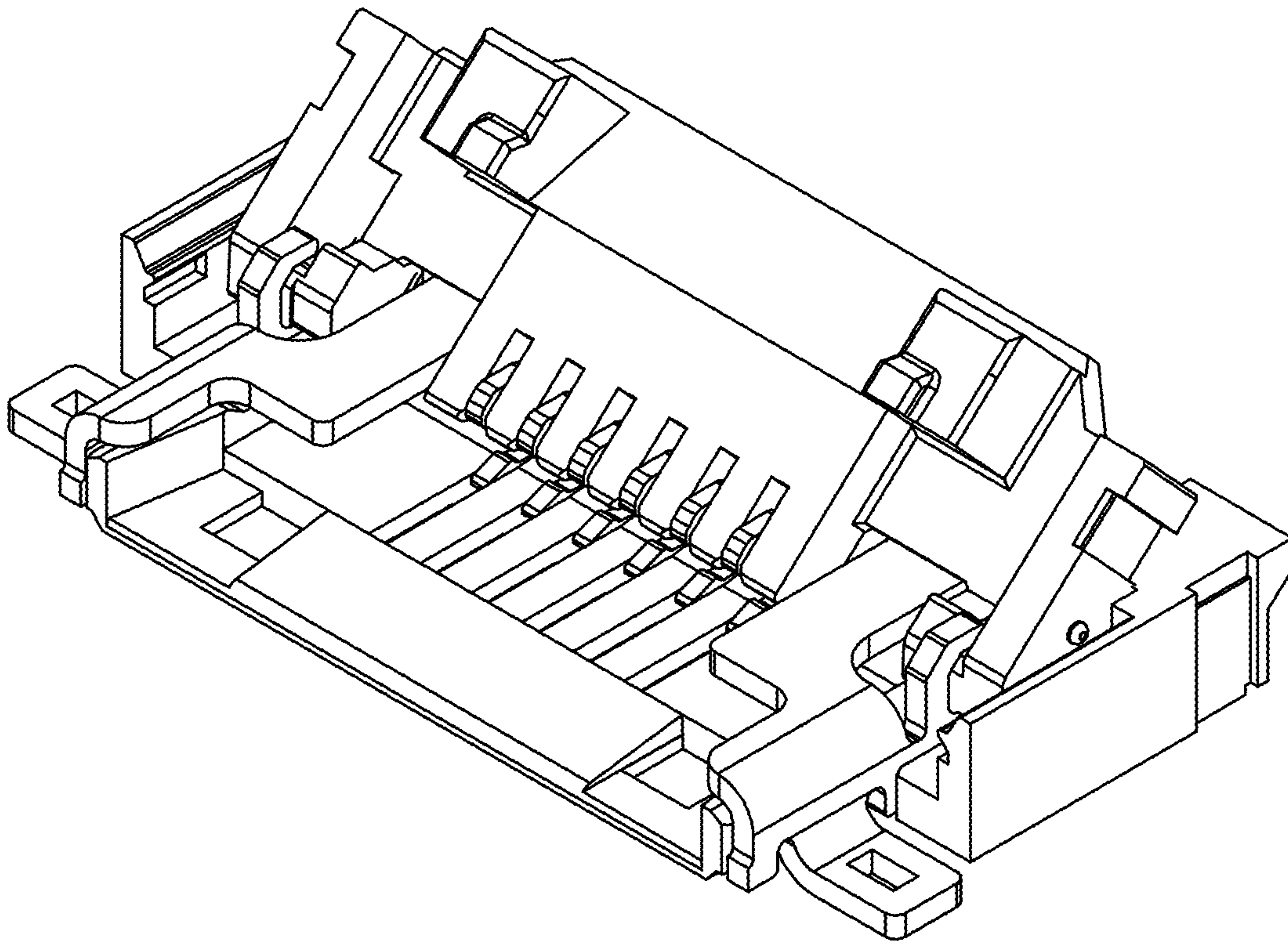


FIG. 6

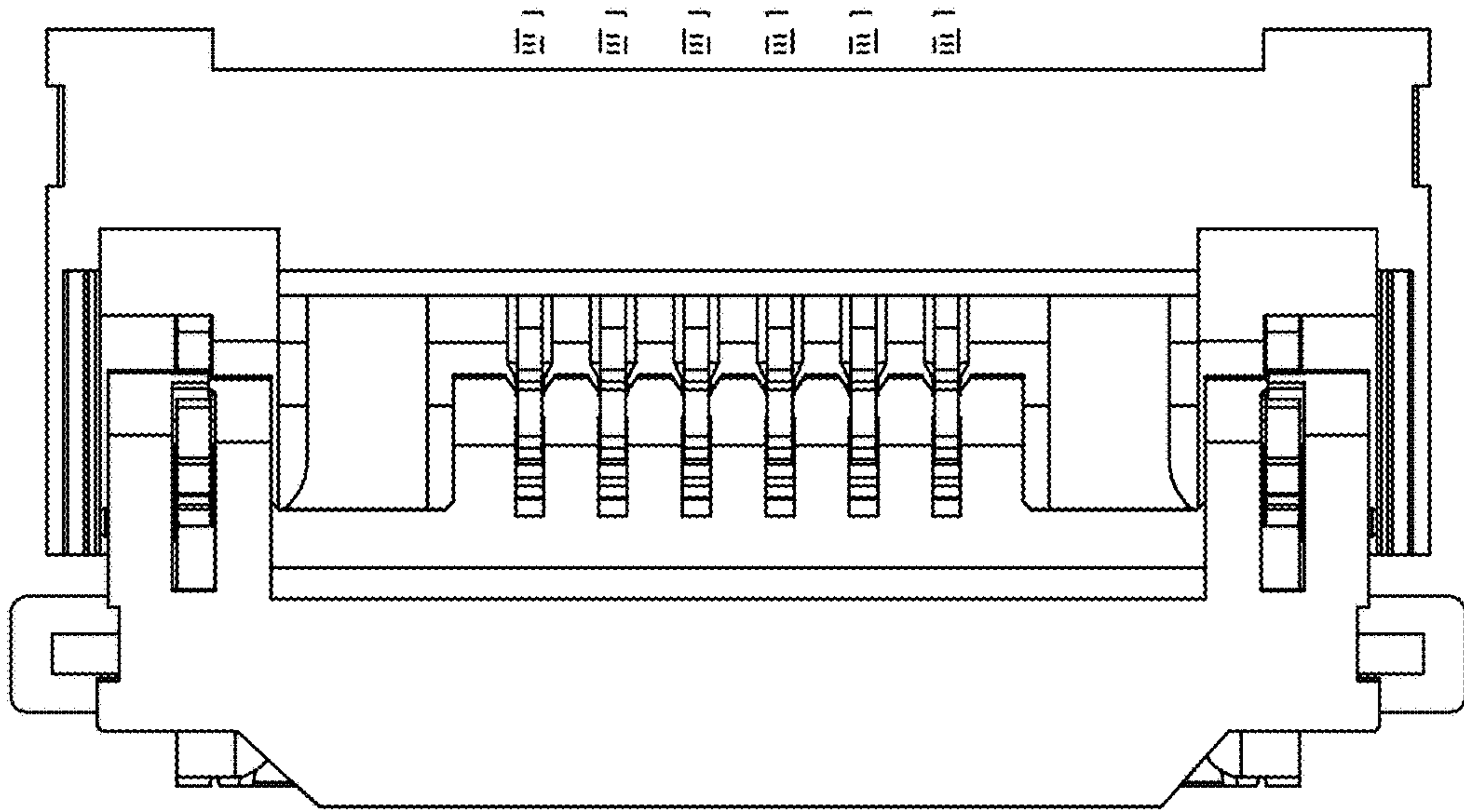


FIG. 7

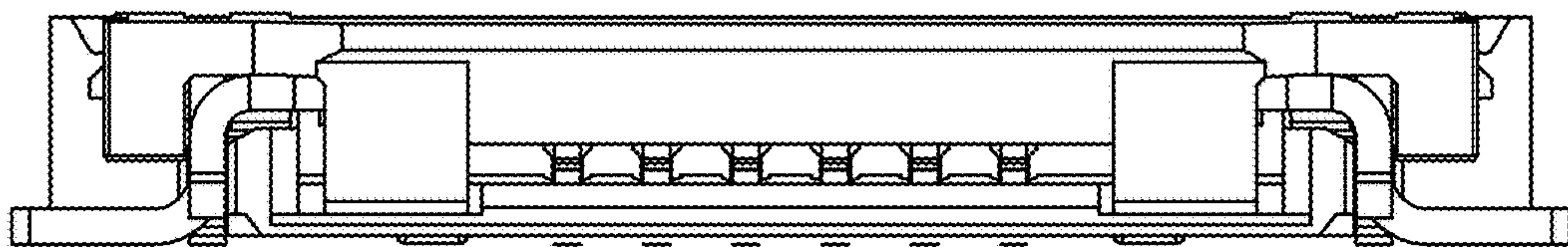


FIG. 8

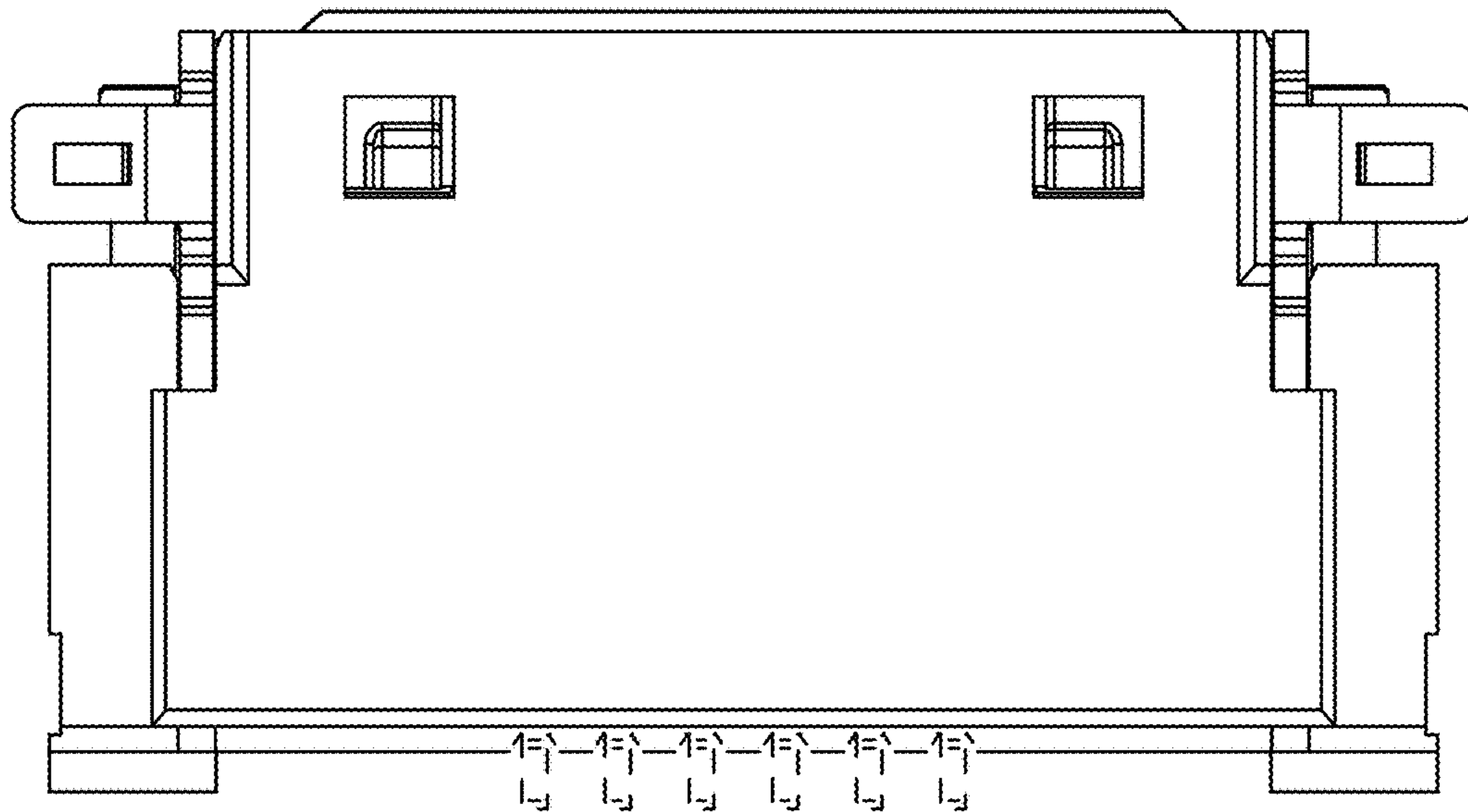


FIG. 9

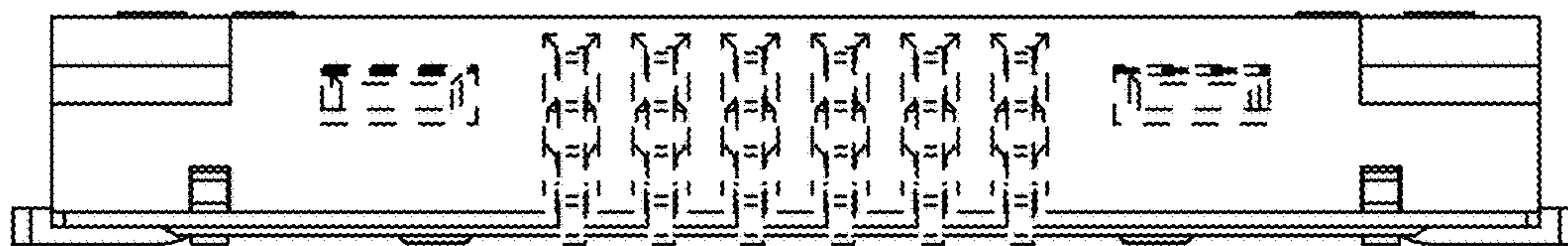


FIG. 10

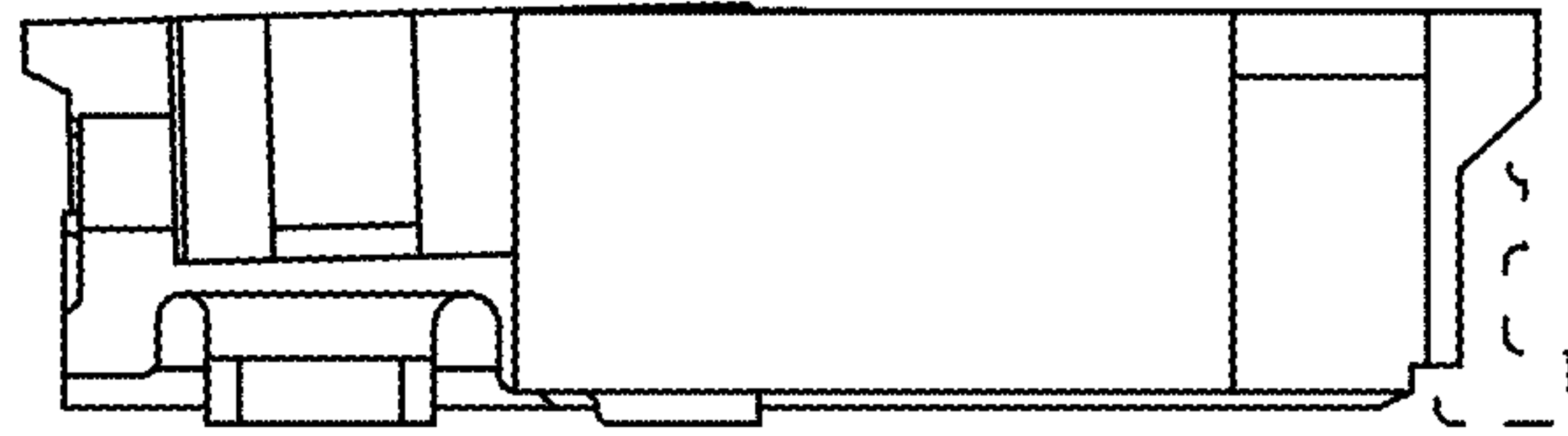


FIG. 11

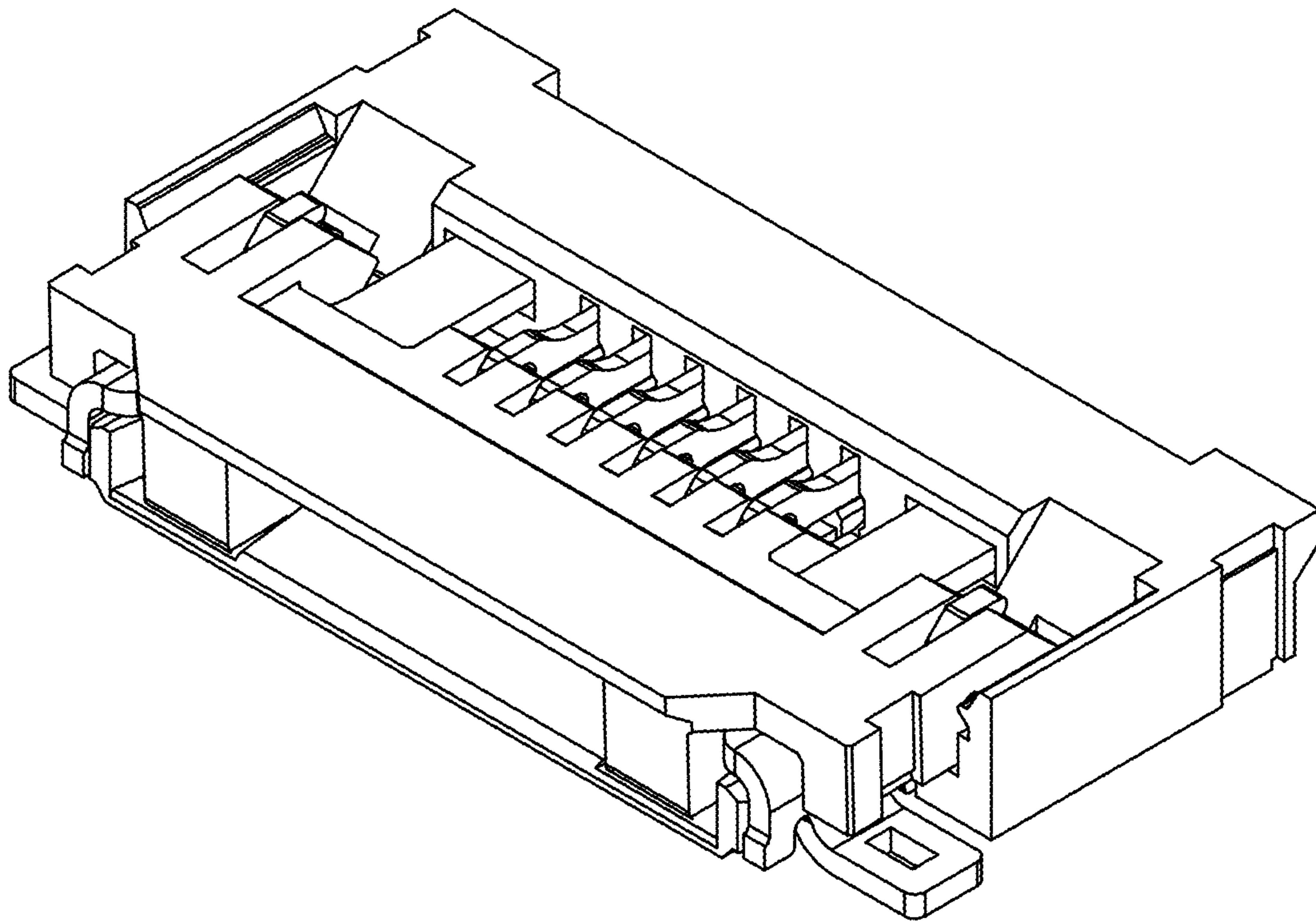


FIG. 12