



US00D800064S

(12) **United States Design Patent**
Li et al.

(10) **Patent No.:** **US D800,064 S**
(45) **Date of Patent:** **** Oct. 17, 2017**

(54) **LAMINATION FOR STATOR OF SINGLE PHASE ELECTRIC MOTOR**

(71) Applicant: **Johnson Electric S.A.**, Murten (CH)

(72) Inventors: **Yue Li**, Hong Kong (CN); **Chui You Zhou**, Shenzhen (CN); **Yong Wang**, Shenzhen (CN); **Yong Li**, Shenzhen (CN)

(73) Assignee: **Johnson Electric S.A.**, Murten (CH)

(**) Term: **15 Years**

(21) Appl. No.: **29/564,364**

(22) Filed: **May 12, 2016**

(30) **Foreign Application Priority Data**

Nov. 12, 2015 (CN) 2015 3 0451166

(51) **LOC (10) Cl.** **13-02**

(52) **U.S. Cl.**
USPC **D13/122**

(58) **Field of Classification Search**
USPC D13/107, 108, 109, 110, 112, 114, 117, D13/118, 119, 121, 122, 126, 128, 130, D13/132, 148, 173, 184; D15/1, 2, 5, 9, D15/29, 132, 133, 136, 139, 143, 199; D25/61, 138, 199
CPC H02P 5/505; H02P 6/06; H02P 6/08; H02P 6/10; H02P 7/20; H02P 7/24; H02P 7/30; H02P 21/12; H02P 25/24; H02P 25/26; H02P 25/28; H02P 27/024; H02P 27/048; H02P 27/05; H02P 22/07
See application file for complete search history.

(56) **References Cited**

U.S. PATENT DOCUMENTS

D557,830 S * 12/2007 Lee D25/199
D690,650 S * 10/2013 Lin D13/122

D696,628 S * 12/2013 Hutchinson D13/114
D703,249 S * 4/2014 Pinchot D15/139
D705,165 S * 5/2014 Canon D13/114
D736,420 S * 8/2015 Somerfield D25/199
D739,039 S * 9/2015 Gomes D25/138
D741,921 S * 10/2015 Jarvis D15/136
D741,922 S * 10/2015 Cowley D15/136
D768,220 S * 10/2016 Kinoshita D15/199
D777,212 S * 1/2017 Turuvekere Gurudatt D15/5
D786,936 S * 5/2017 Manning D15/5
D788,944 S * 6/2017 Gomes D25/61
D792,911 S * 7/2017 Kendall D15/5
2007/0007848 A1 * 1/2007 Takeuchi F04D 25/066
310/268
2009/0189552 A1 * 7/2009 Mizumaki H02P 6/08
318/400.1
2010/0052590 A1 * 3/2010 Brattoli G01R 21/06
318/490
2011/0037422 A1 * 2/2011 Pollock H02P 6/10
318/400.34

(Continued)

Primary Examiner — Manpreet S Matharu

Assistant Examiner — Suzanne E Tisdell

(74) *Attorney, Agent, or Firm* — Muncy, Geissler, Olds & Lowe, P.C.

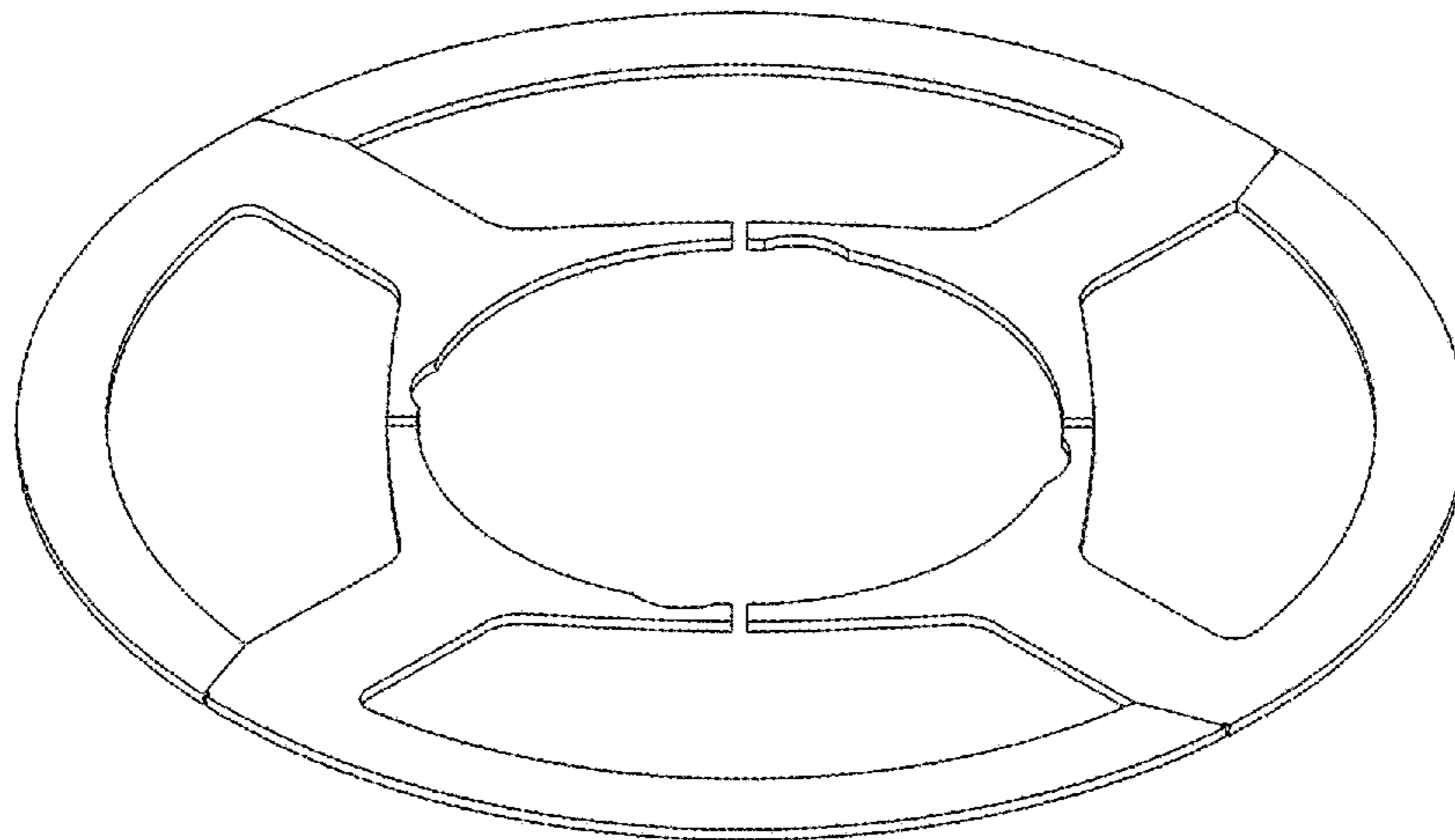
(57) **CLAIM**

The ornamental design for a lamination for stator of single phase electric motor, as shown and described.

DESCRIPTION

FIG. 1 is a perspective view of our new design for a lamination for stator of single phase electric motor; FIG. 2 is a front elevational view thereof; FIG. 3 is a rear elevational view thereof; FIG. 4 is a left side view thereof; FIG. 5 is a right side view thereof; FIG. 6 is a top plan view thereof; and, FIG. 7 is a bottom plan view thereof.

1 Claim, 7 Drawing Sheets



(56)

References Cited

U.S. PATENT DOCUMENTS

2012/0119690 A1* 5/2012 Nishiyama H02K 1/146
318/724
2013/0093265 A1* 4/2013 Hunter H02K 41/0356
310/12.15
2015/0115851 A1* 4/2015 Zhao H02P 6/08
318/400.06
2015/0207439 A1* 7/2015 Ye H02P 25/098
318/400.23
2015/0365023 A1* 12/2015 Schock H02P 6/085
318/400.3
2016/0079889 A1* 3/2016 Pietromonaco H02K 11/22
318/400.3
2016/0079894 A1* 3/2016 Nessel H02P 6/16
318/400.26
2016/0082772 A1* 3/2016 Biderman A61G 5/045
301/6.5
2016/0291445 A1* 10/2016 Fisher, Sr. G03B 15/006
2017/0163181 A1* 6/2017 Namuduri H02P 6/06

* cited by examiner

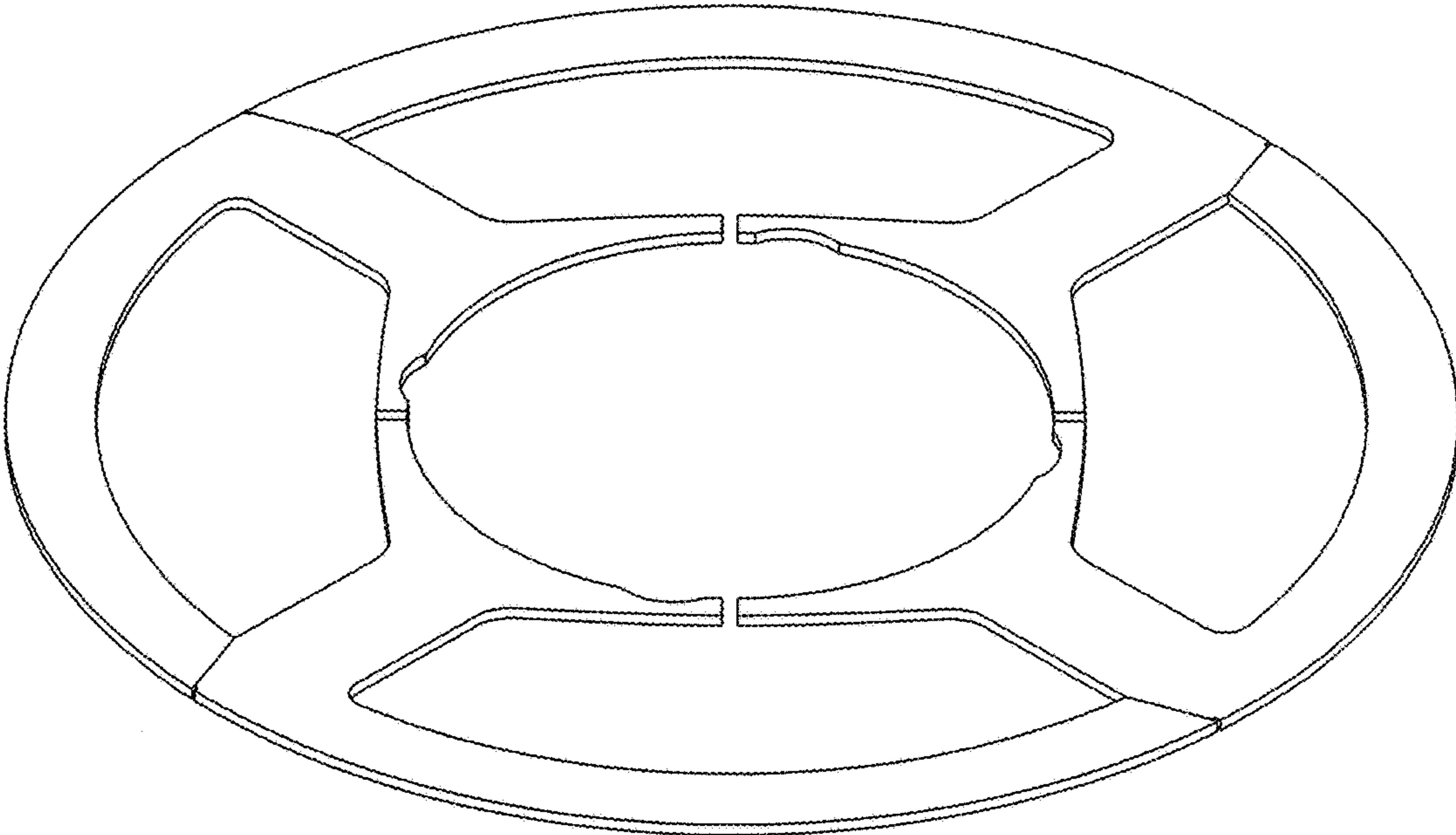


FIG. 1

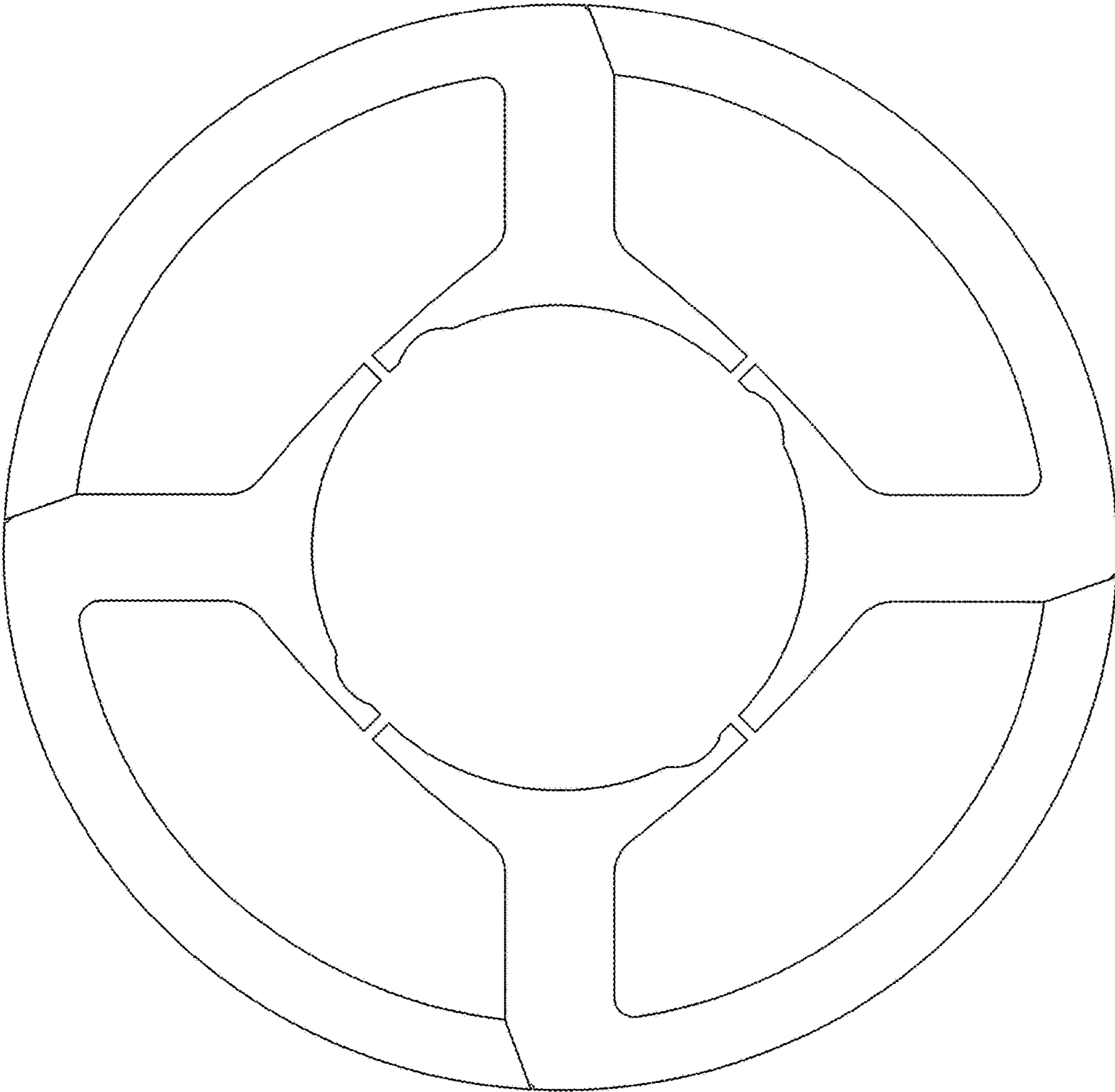


FIG. 2

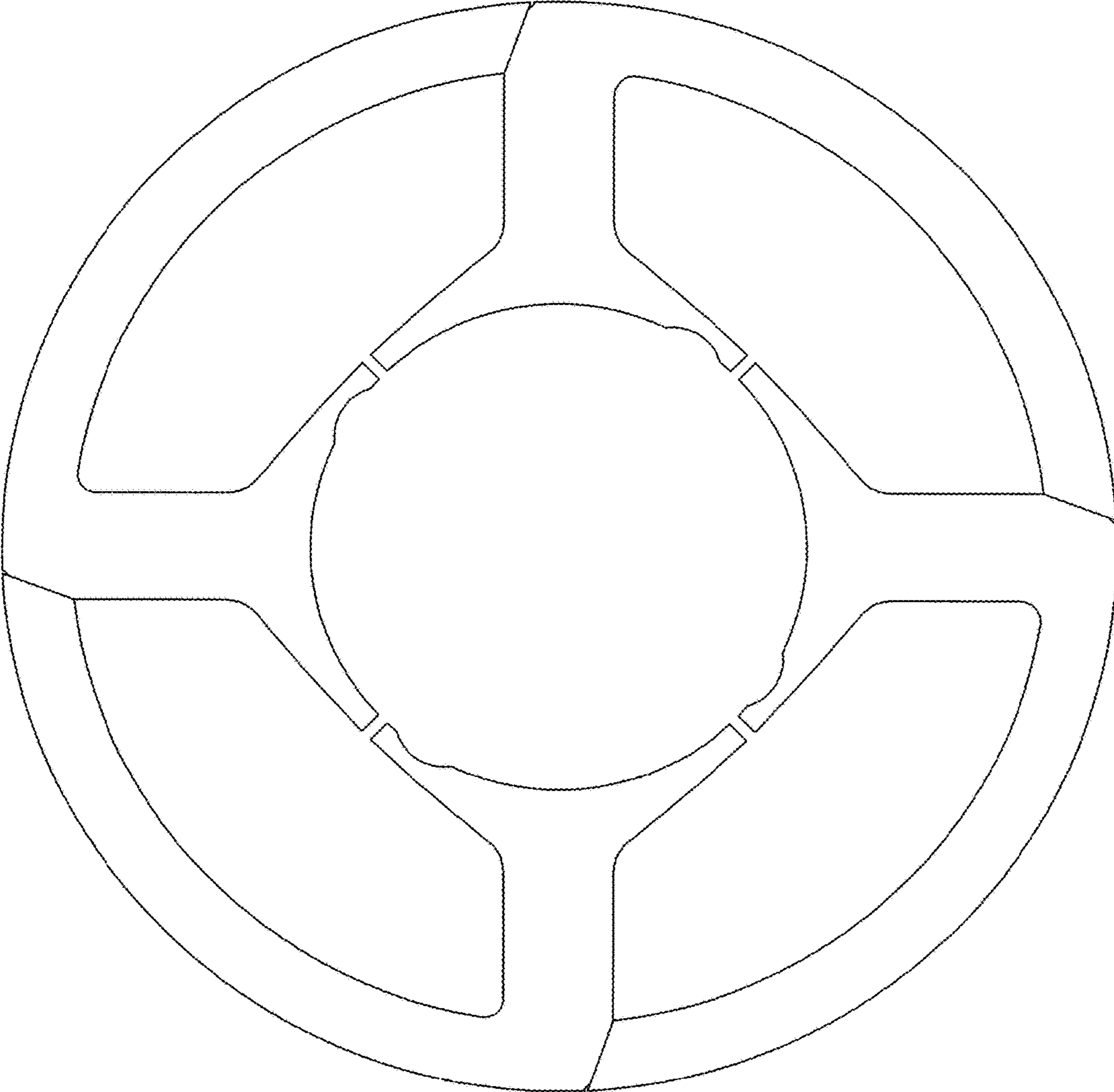


FIG. 3



FIG. 4



FIG. 5



FIG. 6



FIG. 7