



US00D800063S

(12) **United States Design Patent**
Li et al.

(10) **Patent No.:** **US D800,063 S**
(45) **Date of Patent:** **** Oct. 17, 2017**

(54) **LAMINATION FOR STATOR OF SINGLE PHASE ELECTRIC MOTOR**

(71) Applicant: **Johnson Electric S.A.**, Murten (CH)

(72) Inventors: **Yue Li**, Hong Kong (CN); **Chui You Zhou**, Shenzhen (CN); **Yong Wang**, Shenzhen (CN); **Yong Li**, Shenzhen (CN)

(73) Assignee: **Johnson Electric S.A.**, Murten (CH)

(**) Term: **15 Years**

(21) Appl. No.: **29/564,354**

(22) Filed: **May 12, 2016**

(30) **Foreign Application Priority Data**

Nov. 12, 2015 (CN) 2015 3 0450969

(51) **LOC (10) Cl.** **13-02**

(52) **U.S. Cl.**
USPC **D13/122**

(58) **Field of Classification Search**

USPC D13/107, 108, 109, 110, 112, 114, 117, D13/118, 119, 121, 122, 126, 128, 130, D13/132, 148, 173, 184; D15/1, 2, 5, 9, D15/29, 132, 133, 136, 139, 143, 199; D25/61, 138, 199

CPC H02P 5/505; H02P 6/06; H02P 6/08; H02P 6/10; H02P 7/20; H02P 7/24; H02P 7/30; H02P 21/12; H02P 25/24; H02P 25/26; H02P 25/28; H02P 27/024; H02P 27/048; H02P 27/05; H02P 22/07

See application file for complete search history.

(56) **References Cited**

U.S. PATENT DOCUMENTS

D557,830 S * 12/2007 Lee D25/199
D690,650 S * 10/2013 Lin D13/122

D696,628 S * 12/2013 Hutchinson D13/114
D703,249 S * 4/2014 Pinchot D15/139
D705,165 S * 5/2014 Canon D13/114
D736,420 S * 8/2015 Somerfield D25/199
D739,039 S * 9/2015 Gomes D25/138
D741,921 S * 10/2015 Jarvis D15/136
D741,922 S * 10/2015 Cowley D15/136
D768,220 S * 10/2016 Kinoshita D15/199
D777,212 S * 1/2017 Turuvekere Gurudatt D15/5
D786,936 S * 5/2017 Manning D15/5
D788,944 S * 6/2017 Gomes D25/61

(Continued)

Primary Examiner — Manpreet S Matharu

Assistant Examiner — Suzanne E Tisdell

(74) *Attorney, Agent, or Firm* — Muncy, Geissler, Olds & Lowe, P.C.

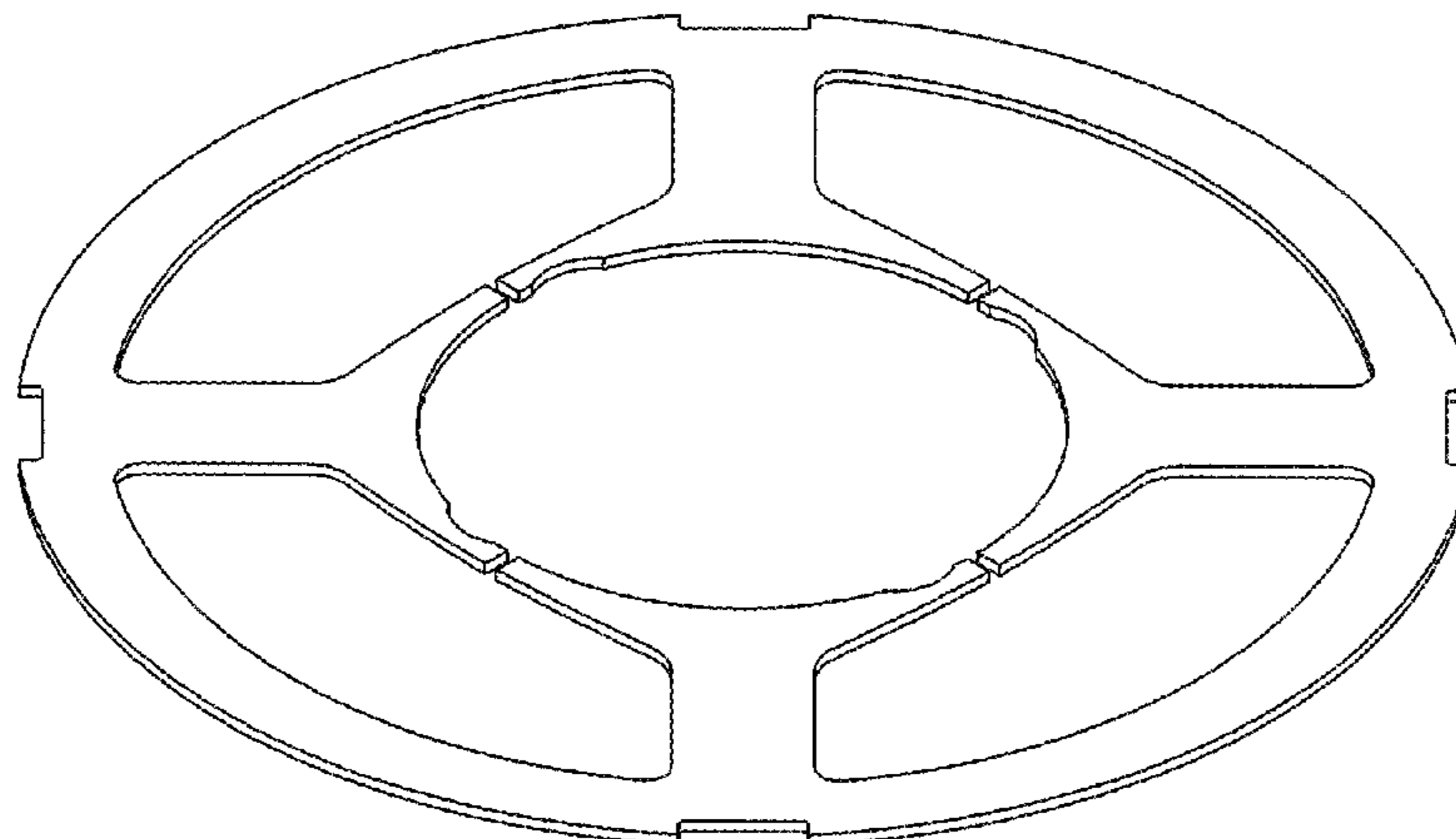
(57) **CLAIM**

The ornamental design for a lamination for stator of single phase electric motor, as shown and described.

DESCRIPTION

FIG. 1 is a perspective view of our new design for a lamination for stator of single phase electric motor;
FIG. 2 is a front elevational view thereof;
FIG. 3 is a rear elevational view thereof;
FIG. 4 is a left side view thereof;
FIG. 5 is a right side view thereof;
FIG. 6 is a top plan view thereof;
FIG. 7 is a bottom plan view thereof;
FIG. 8 is a perspective view of another embodiment of our new design for a lamination for stator of single phase electric motor;
FIG. 9 is a front elevational view thereof;
FIG. 10 is a rear elevational view thereof;
FIG. 11 is a left side view thereof;
FIG. 12 is a right side view thereof;
FIG. 13 is a top plan view thereof; and,
FIG. 14 is a bottom plan view thereof.

1 Claim, 14 Drawing Sheets



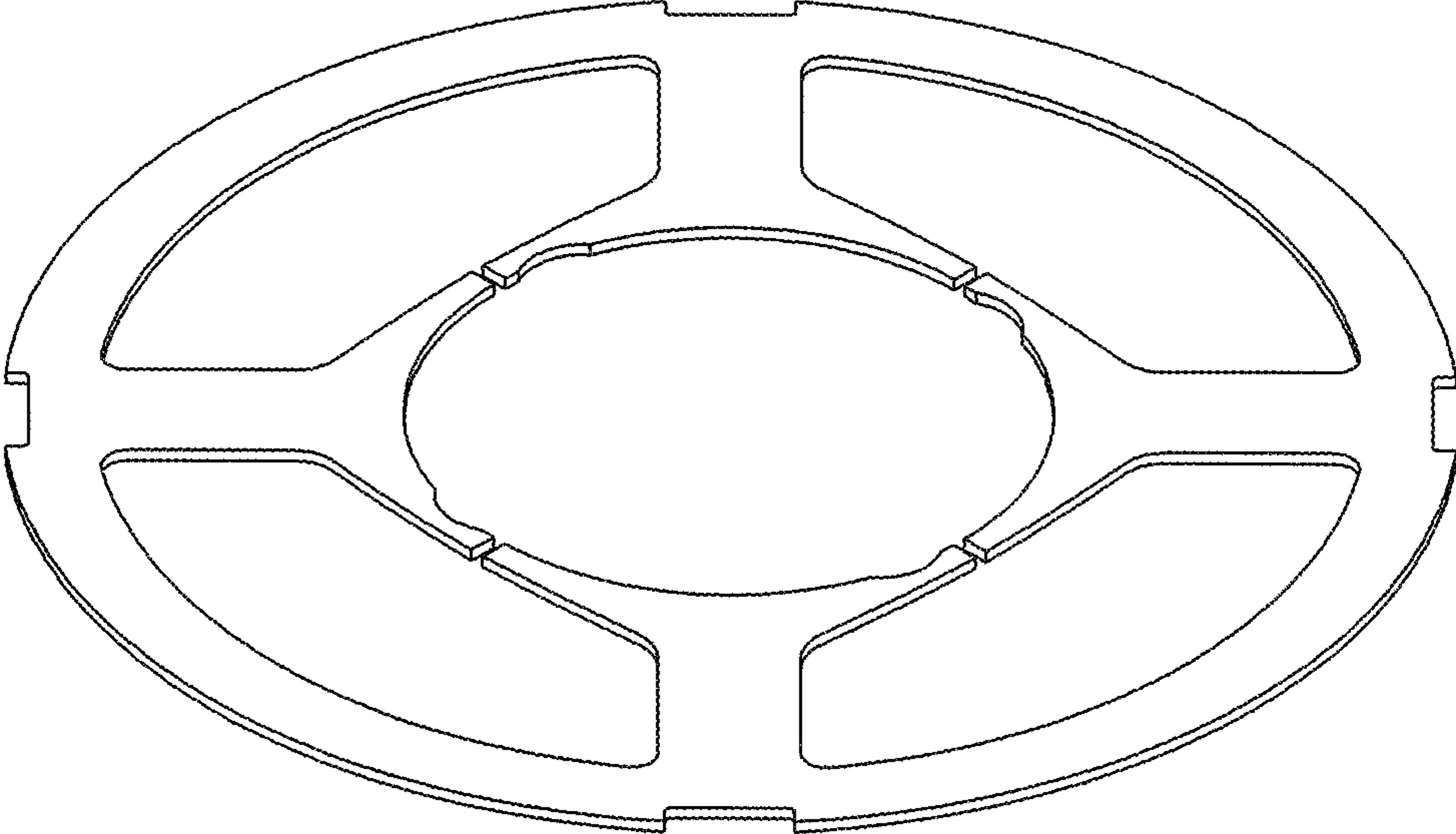


FIG. 1

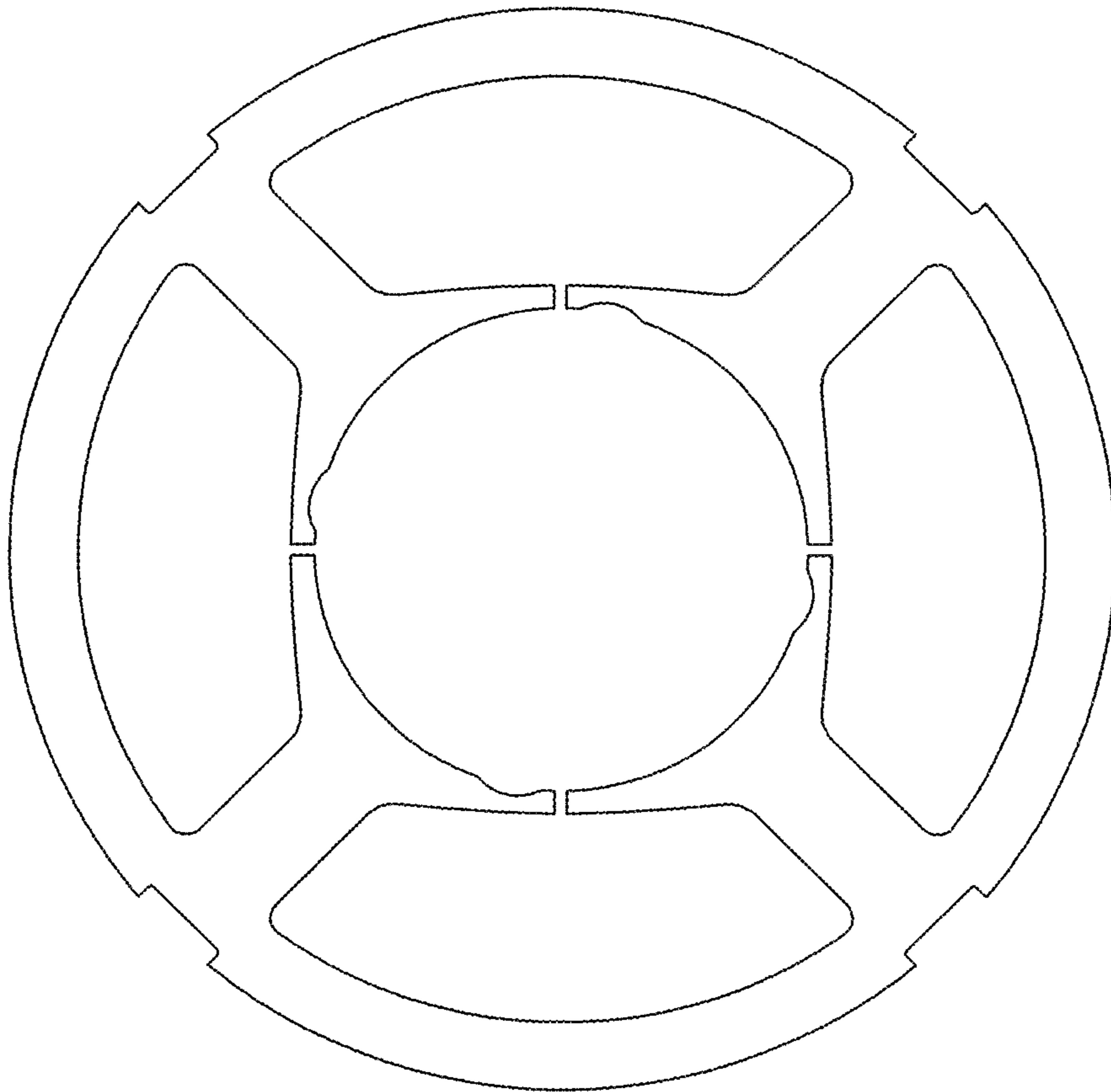


FIG. 2

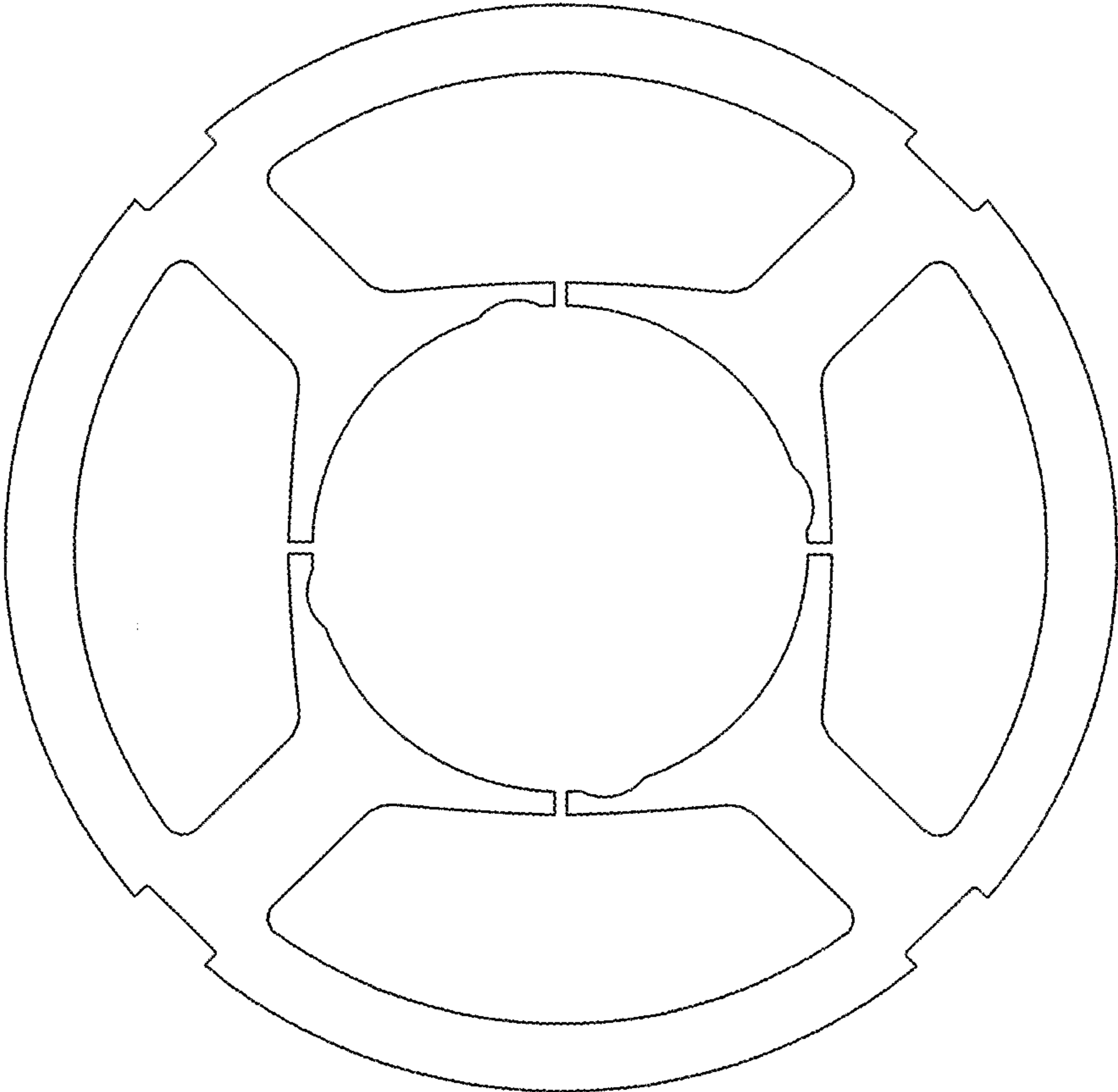


FIG. 3



FIG. 4

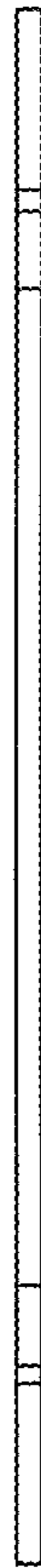


FIG. 5

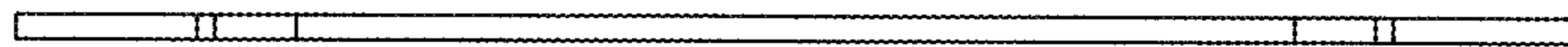


FIG. 6

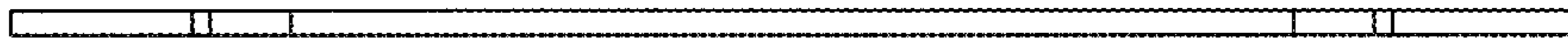


FIG. 7

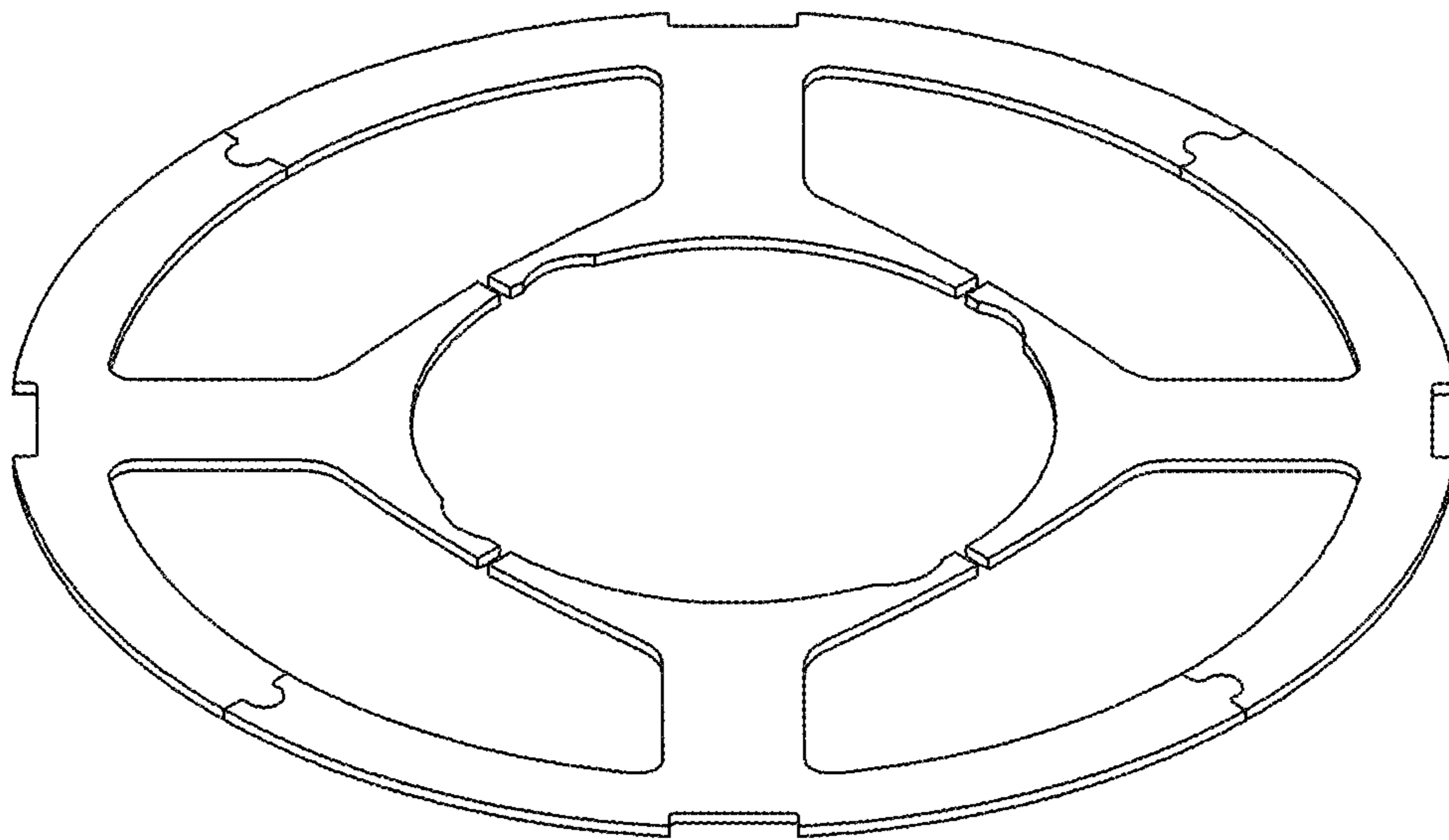


FIG. 8

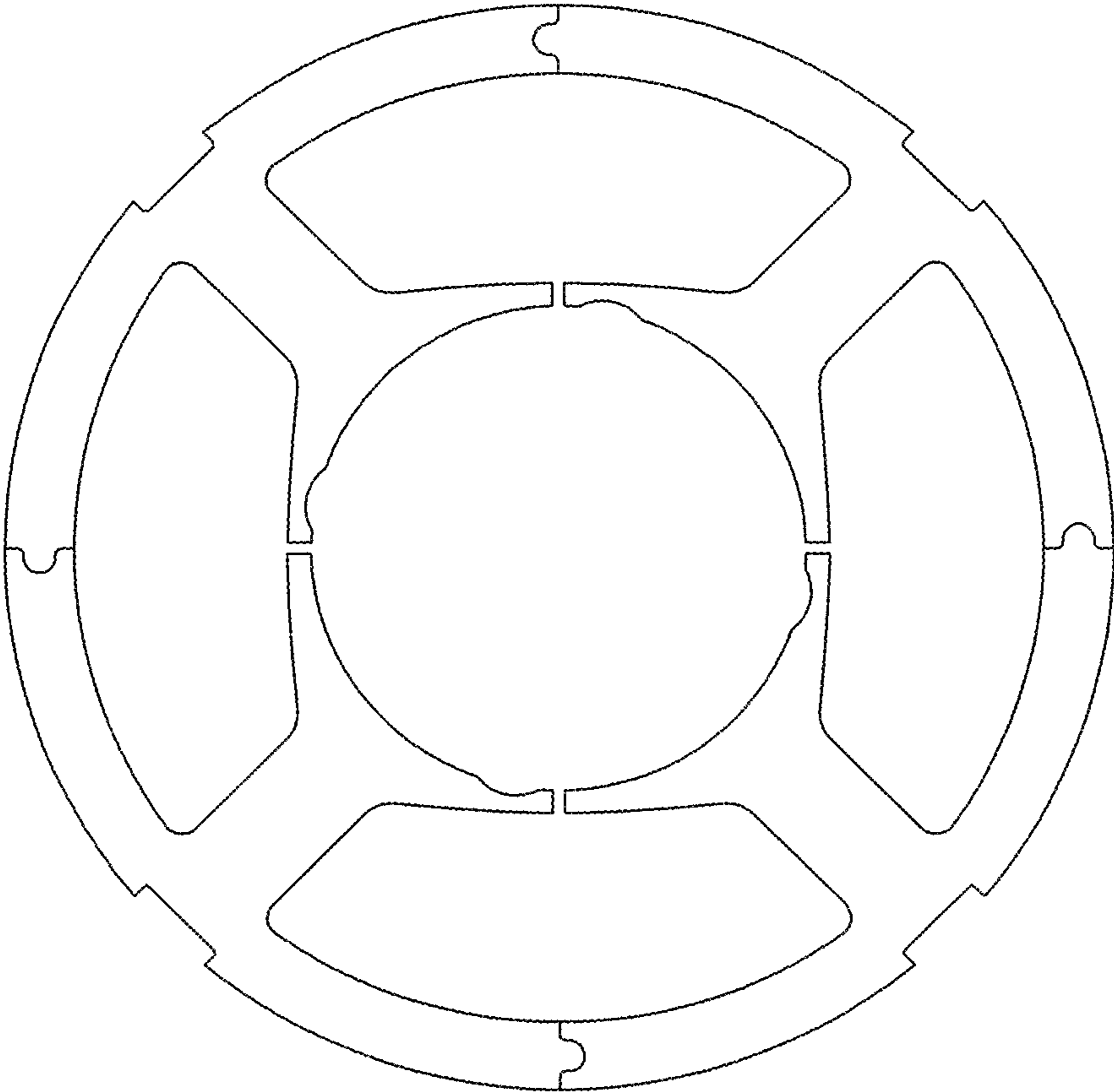


FIG. 9

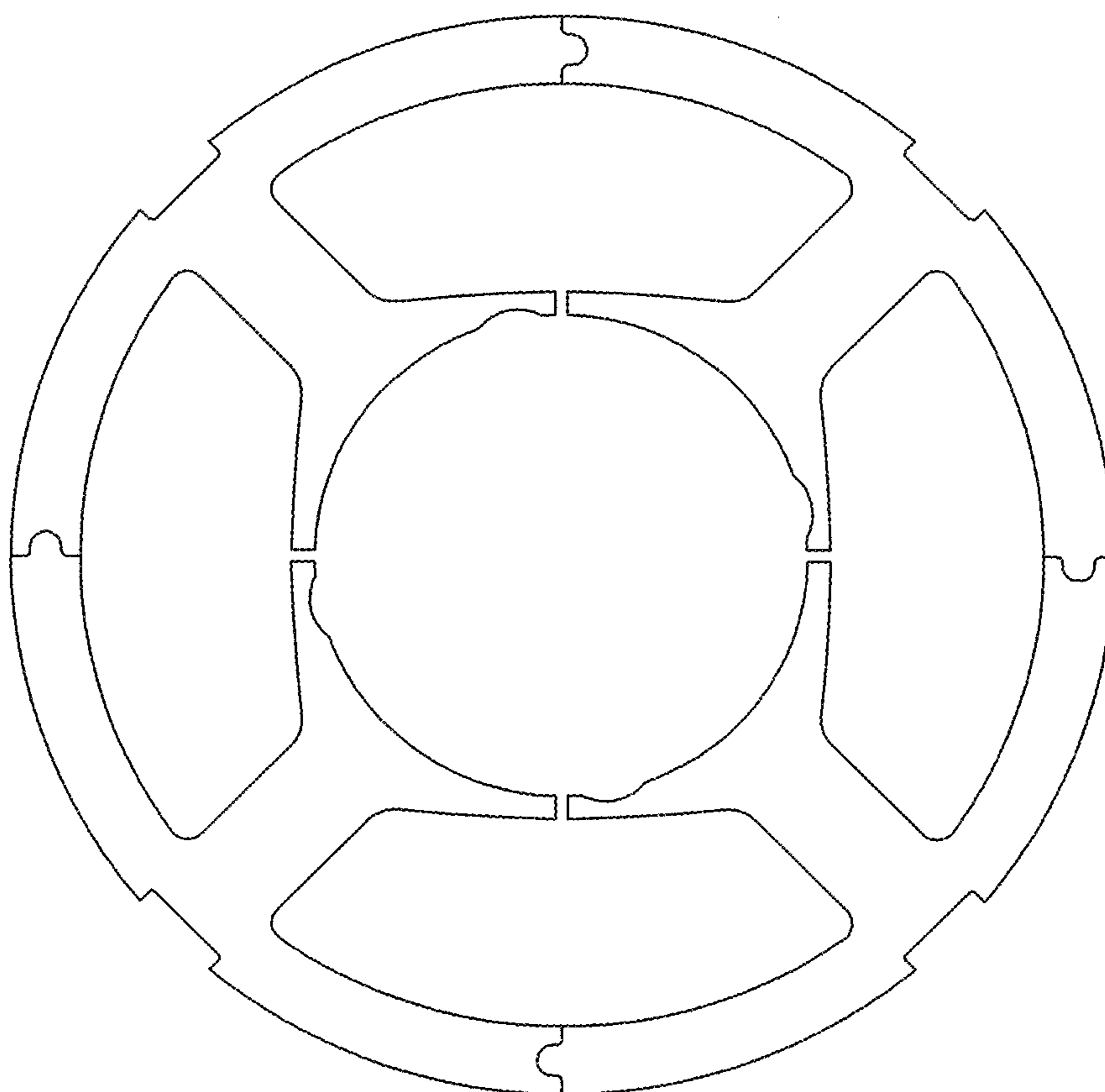


FIG. 10



FIG. 11

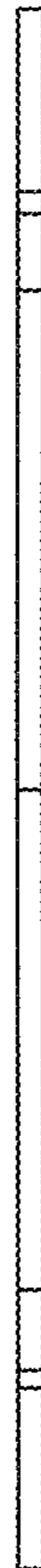


FIG. 12

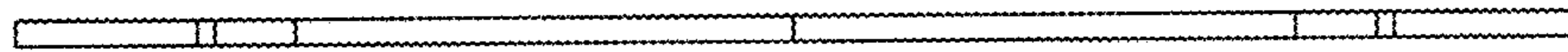


FIG. 13

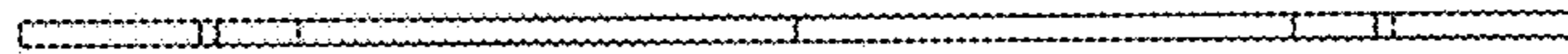


FIG. 14