



US00D800061S

(12) **United States Design Patent**  
**Tonomura et al.**

(10) **Patent No.:** **US D800,061 S**

(45) **Date of Patent:** **\*\* Oct. 17, 2017**

(54) **TRANSFORMER**

(71) Applicant: **TOKUDEN CO., LTD.**, Kyoto-shi,  
Kyoto (JP)

(72) Inventors: **Toru Tonomura**, Otsu (JP); **Sachio Tamaki**, Kyoto (JP); **Yasuhiro Fujimoto**, Kyoto (JP)

(73) Assignee: **TOKUDEN CO., LTD.**, Kyoto-shi,  
Kyoto (JP)

(\*\*) Term: **14 Years**

(21) Appl. No.: **29/518,637**

(22) Filed: **Feb. 25, 2015**

(30) **Foreign Application Priority Data**

Aug. 26, 2014 (JP) ..... 2014-018574  
Aug. 26, 2014 (JP) ..... 2014-018575

(51) **LOC (10) Cl.** ..... **13-02**

(52) **U.S. Cl.**  
USPC ..... **D13/110**

(58) **Field of Classification Search**  
USPC ..... D13/110, 117, 118, 120, 101, 121, 199;  
D14/483, 484; 242/597.6, 597.7;  
(Continued)

(56) **References Cited**

**U.S. PATENT DOCUMENTS**

1,441,522 A 1/1923 Patterson  
2,220,732 A 11/1940 Sanders  
(Continued)

**FOREIGN PATENT DOCUMENTS**

TW D137737 S 11/2010

**OTHER PUBLICATIONS**

United States Patent and Trademark Office, Notice of Allowance  
Issued in U.S. Appl. No. 29/517,846, Aug. 2, 2016, 16 pages.

(Continued)

*Primary Examiner* — Derrick Holland

(74) *Attorney, Agent, or Firm* — Alleman Hall Creasman  
& Tuttle LLP

(57) **CLAIM**

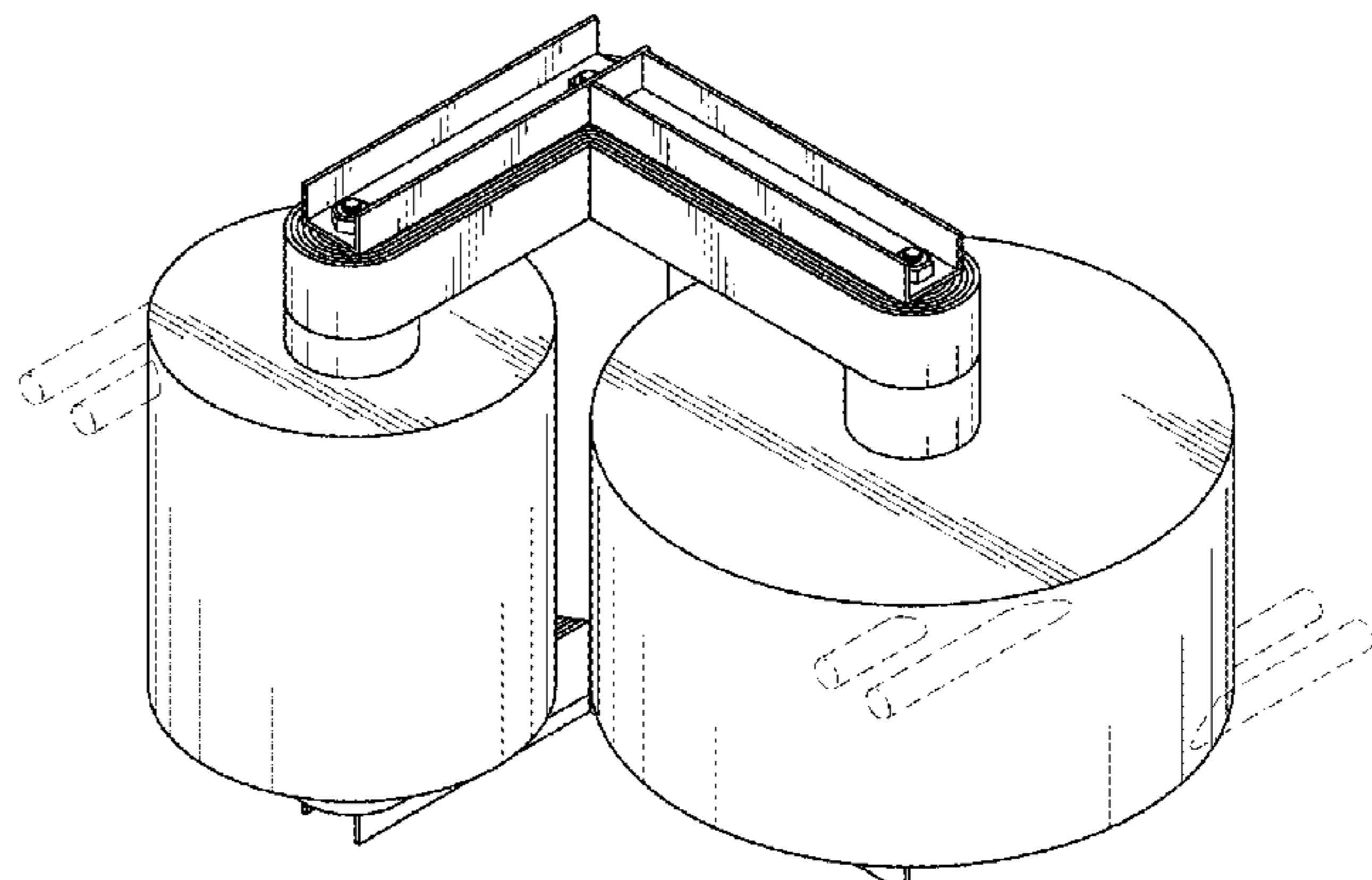
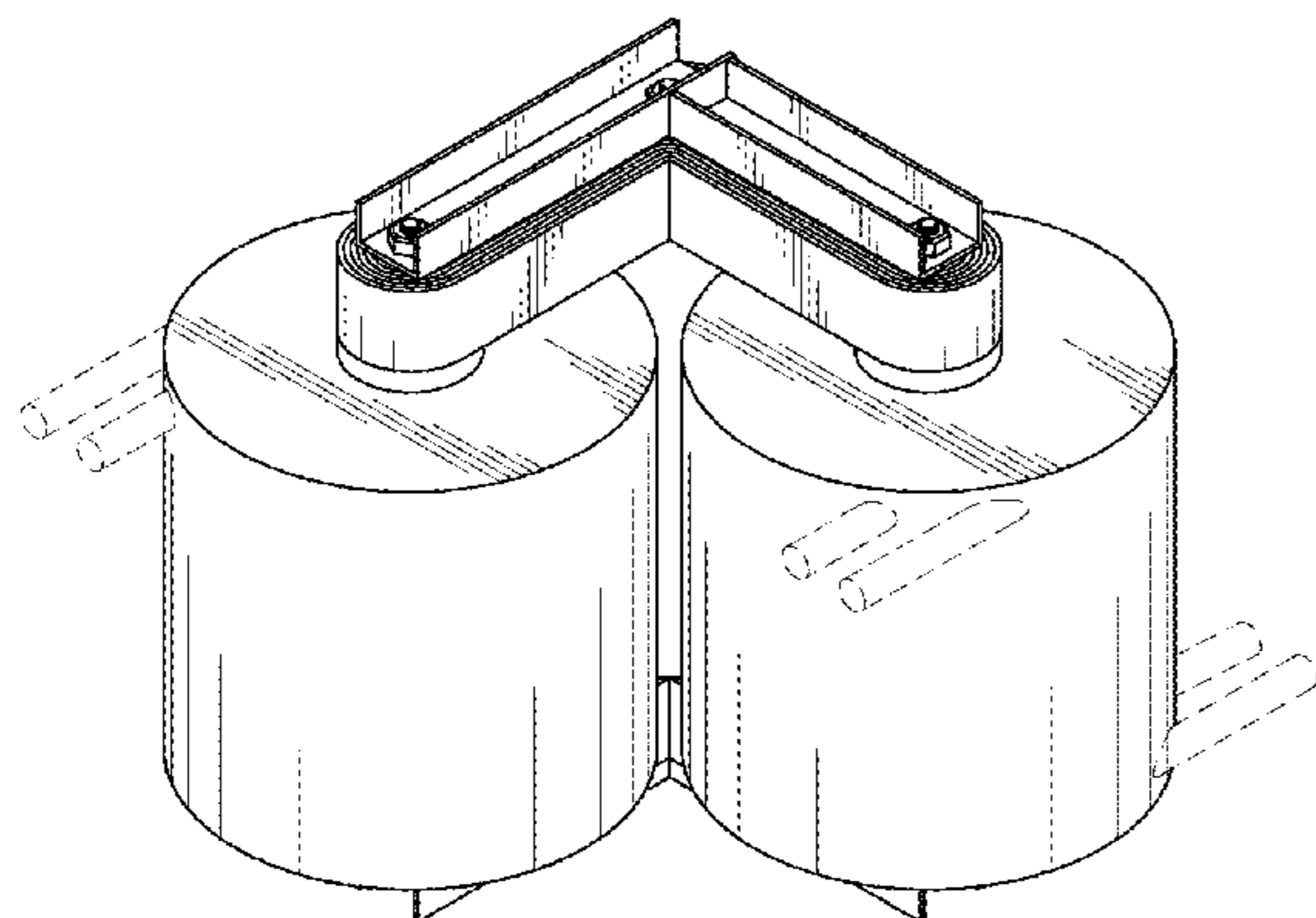
The ornamental design for a transformer, as shown and described.

**DESCRIPTION**

FIG. 1 is a front elevational view of a first embodiment of a transformer;  
FIG. 2 is a rear elevational view of the first embodiment thereof;  
FIG. 3 is a right side elevational view of the first embodiment thereof;  
FIG. 4 is a left side elevational view of the first embodiment thereof;  
FIG. 5 is a top plan view of the first embodiment thereof;  
FIG. 6 is a bottom plan view of the first embodiment thereof;  
FIG. 7 is a perspective view of the first embodiment thereof;  
FIG. 8 is a front elevational view of a second embodiment of a transformer;  
FIG. 9 is a rear elevational view of the second embodiment thereof;  
FIG. 10 is a right side elevational view of the second embodiment thereof;  
FIG. 11 is a left side elevational view of the second embodiment thereof;  
FIG. 12 is a top plan view of the second embodiment thereof;  
FIG. 13 is a bottom plan view of the second embodiment thereof; and,  
FIG. 14 is a perspective view of the second embodiment thereof.

The broken lines shown represent unclaimed subject matter and form no part of the claimed design.

**1 Claim, 8 Drawing Sheets**



(58) **Field of Classification Search**  
 USPC .... 310/164; 336/65, 83, 182, 192, 198, 200,  
 336/208; D15/144  
 CPC ..... H01F 5/00; H01F 5/02; H01F 5/06; H01F  
 27/00; H01F 27/004; H01F 27/02; H01F  
 27/027; H01F 27/28; H01F 27/292; H01F  
 27/325; H01F 27/425; H01F 27/427;  
 H01F 27/25; H01F 27/245; H01F  
 2005/025; H01F 41/02; H01F 41/024;  
 H01F 41/0213; Y10T 29/49078  
 See application file for complete search history.

(56) **References Cited**

U.S. PATENT DOCUMENTS

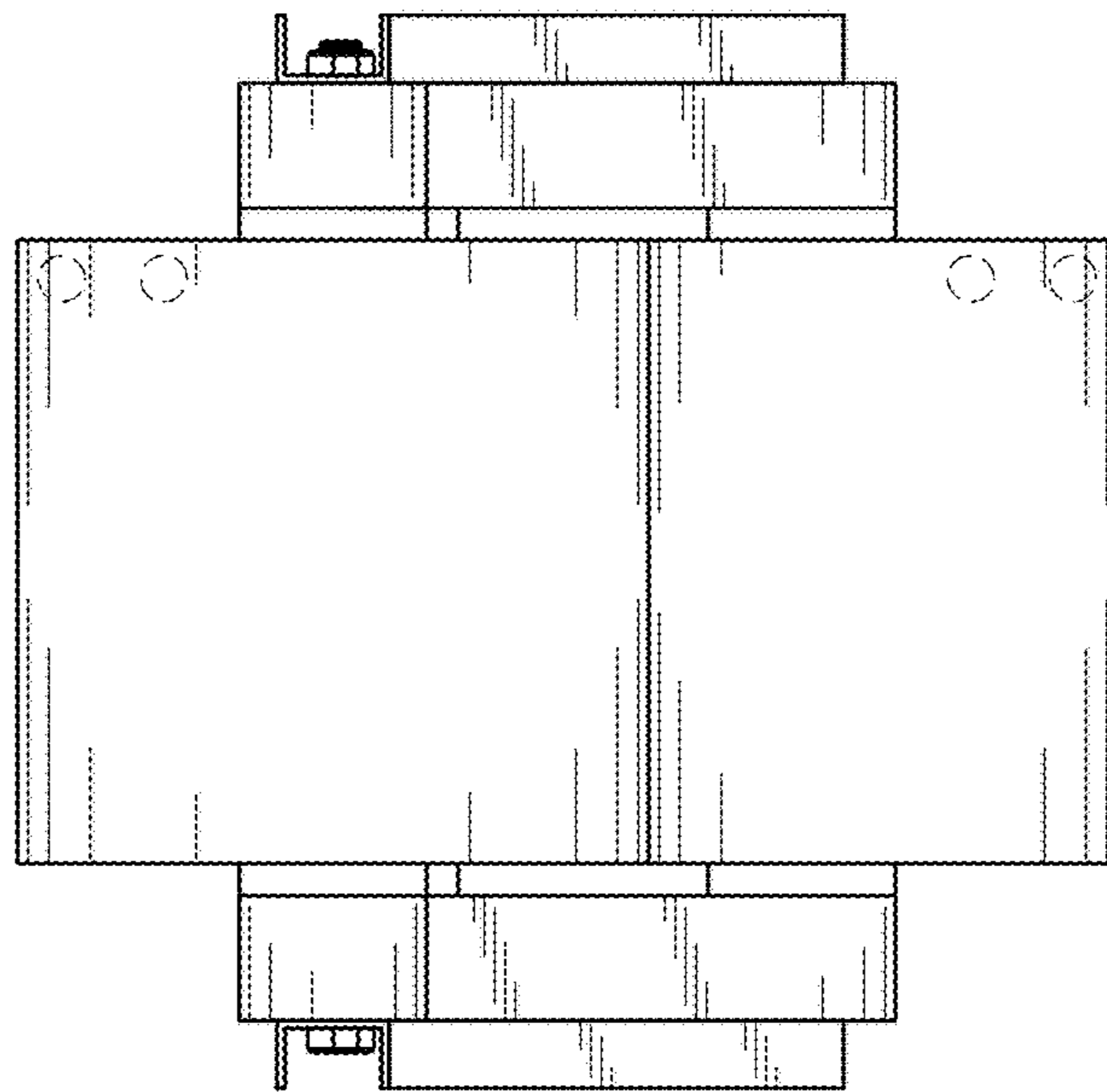
2,293,951 A	8/1942	Seastone et al.
2,393,439 A	1/1946	White et al.
2,400,184 A	5/1946	Woolfolk
2,400,994 A	5/1946	Horstman et al.
2,401,952 A	6/1946	Mayberry
2,495,167 A	1/1950	Horstman et al.
2,516,164 A	7/1950	Vienneau
2,543,089 A	2/1951	Zimsky
2,603,691 A	7/1952	D'Entremont
2,655,717 A	10/1953	Dunn
2,689,396 A	9/1954	Vienneau
2,909,742 A	10/1959	Lamberton
2,911,603 A	11/1959	Harke
2,974,401 A	3/1961	Zwelling
2,974,402 A	3/1961	Hurt, Jr.
3,034,203 A	5/1962	Vienneau et al.
3,154,758 A	10/1964	Ellis
3,898,601 A *	8/1975	Meindl ..... H01F 17/04 336/136
4,353,052 A	10/1982	Geschka

4,364,020 A	12/1982	Lin et al.	
4,424,503 A	1/1984	Kashima	
4,504,813 A	3/1985	Strang	
4,599,595 A	7/1986	Geschka	
D293,431 S *	12/1987	Makinson .....	D13/110
4,741,096 A	5/1988	Lee et al.	
5,202,664 A	4/1993	Poulsen	
6,535,099 B1	3/2003	Hernandez Cruz	
D474,150 S *	5/2003	Amago .....	D13/110
6,683,524 B1	1/2004	Hoglund	
6,792,666 B1	9/2004	Bolotinsky et al.	
6,809,620 B2	10/2004	Hoglund	
6,880,228 B2	4/2005	Bolotinsky et al.	
D550,619 S *	9/2007	Ricci .....	D13/110
D613,245 S *	4/2010	Honna .....	D13/118
8,502,631 B2	8/2013	Cavender et al.	
8,659,382 B2	2/2014	Xu et al.	
8,729,998 B2	5/2014	Outten et al.	
8,963,677 B2	2/2015	Xu et al.	
9,123,461 B2	9/2015	Carsten	
9,318,923 B2	4/2016	Nagai et al.	
9,343,210 B2	5/2016	Adar et al.	
2003/0090355 A1	5/2003	Hoglund	
2008/0094159 A1 *	4/2008	Sodo .....	H02M 1/126 336/5
2010/0194515 A1	8/2010	Hurst et al.	
2011/0109412 A1	5/2011	Vollrath	

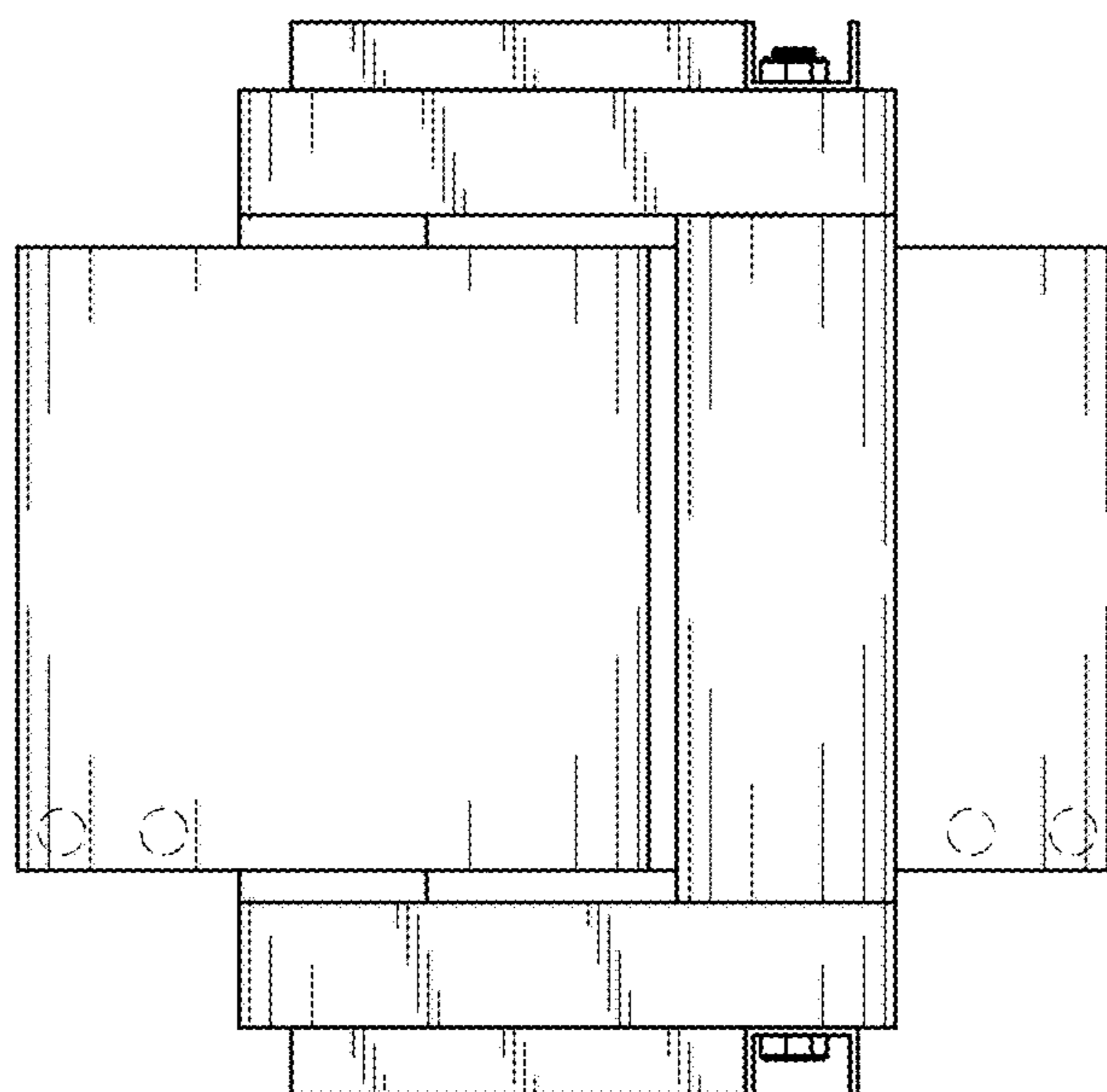
OTHER PUBLICATIONS

Taiwan Intellectual Property Office, Notice of Allowance Issued in Design Patent Application No. 104300916, Aug. 27, 2015, 3 pages.  
 Taiwan Intellectual Property Office, Notice of Allowance Issued in Design Patent Application No. 104300916D01, Aug. 27, 2015, 3 pages.

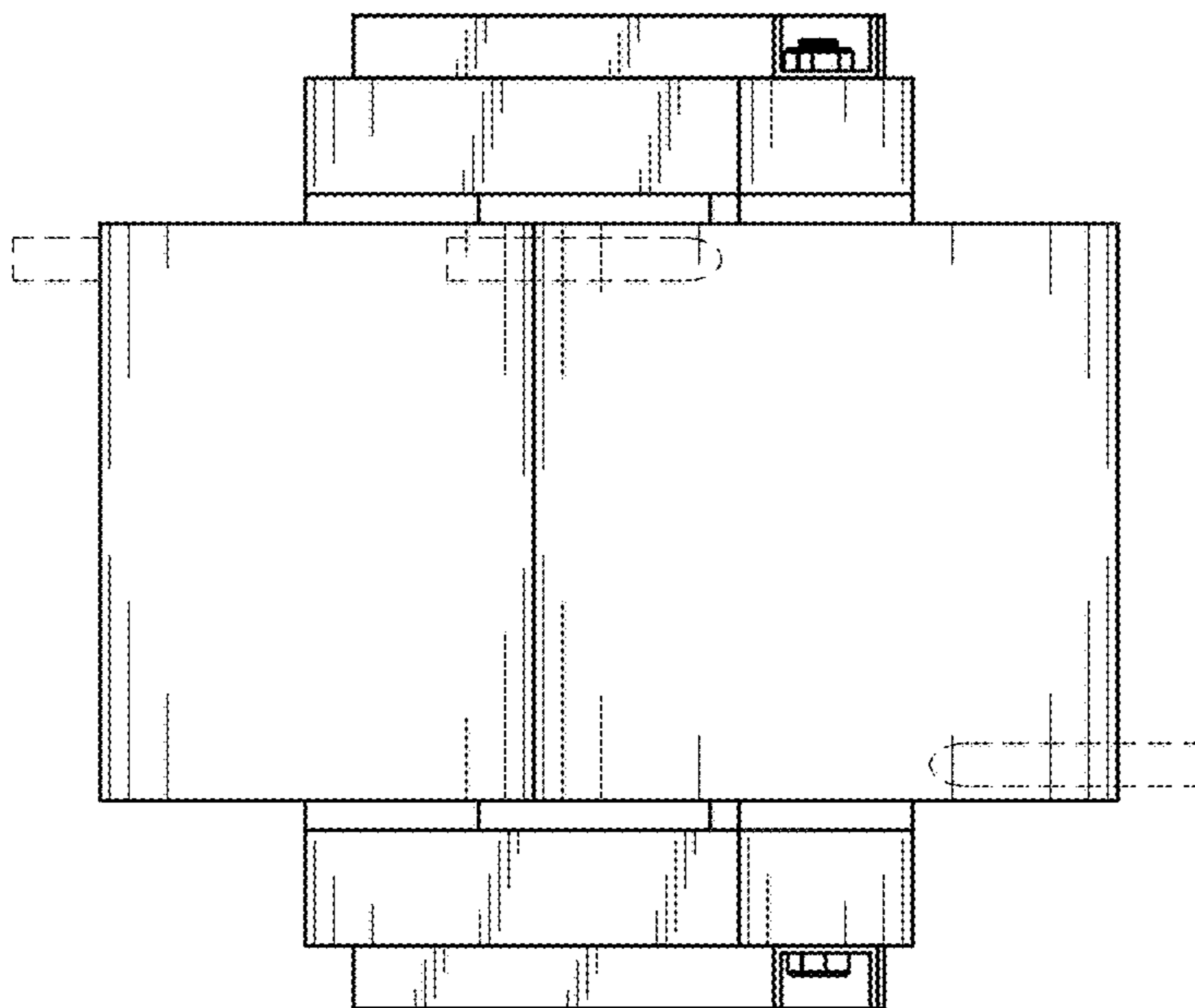
\* cited by examiner



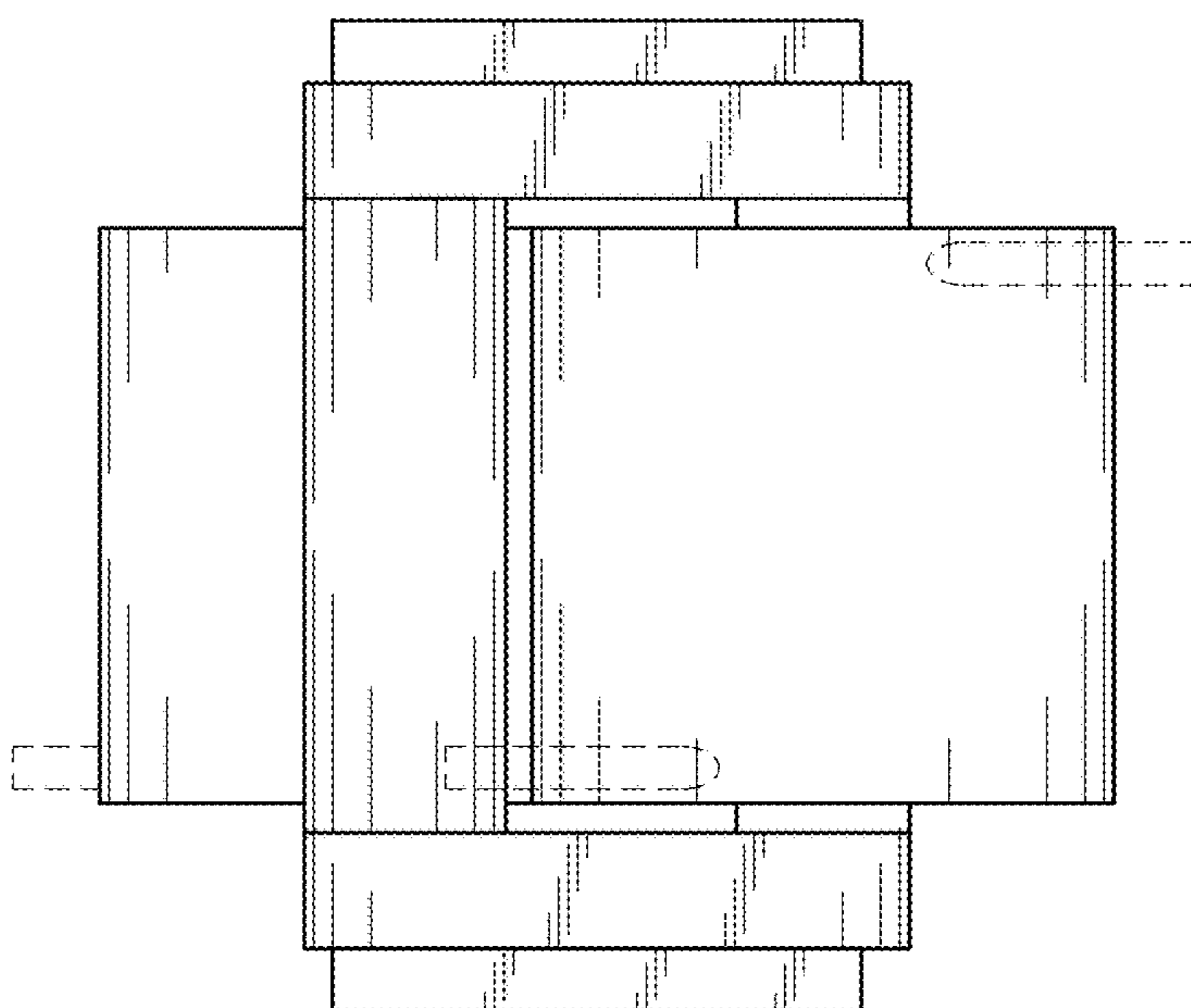
*FIG. 1*



*FIG. 2*



*FIG. 3*



*FIG. 4*



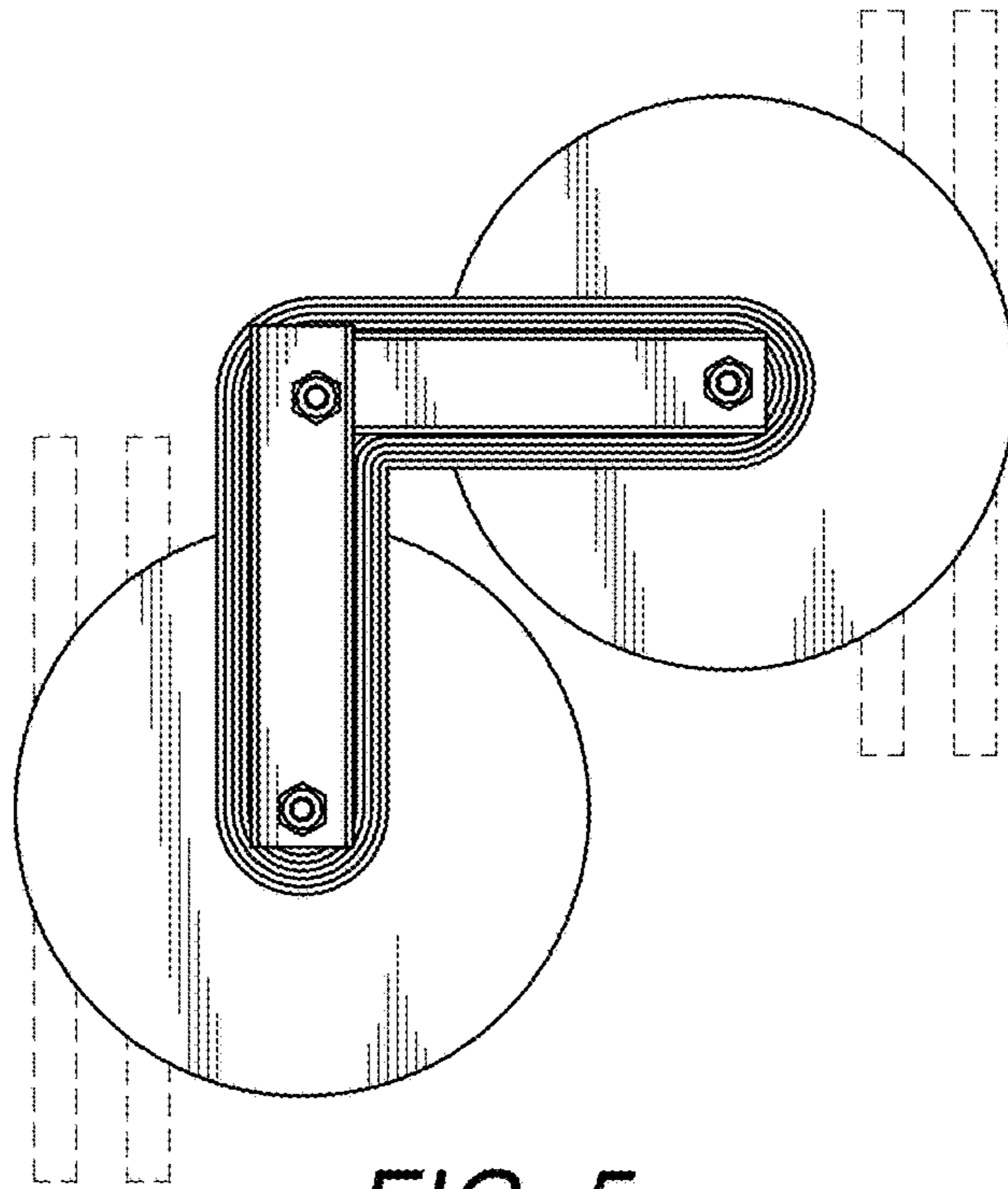


FIG. 5

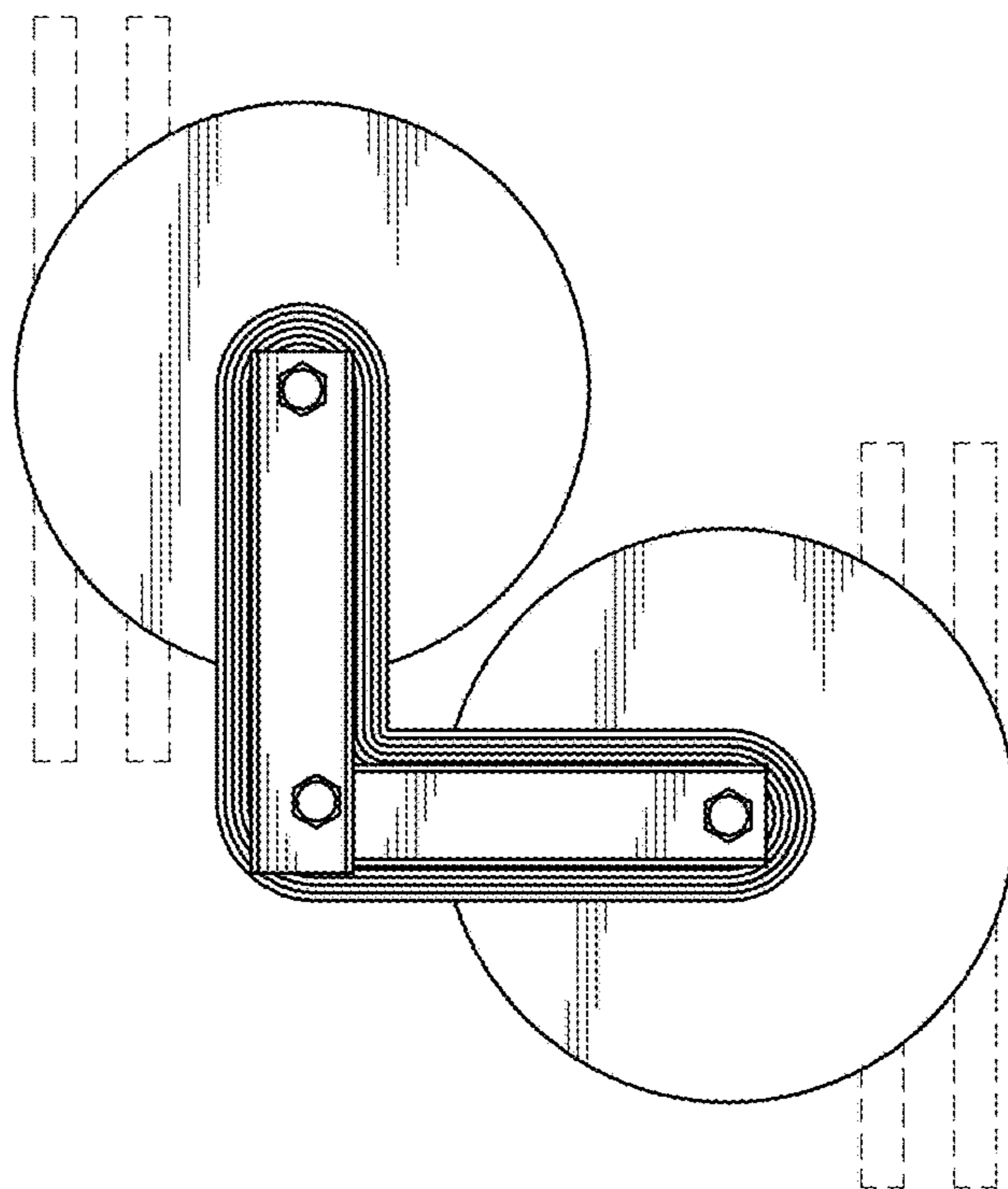
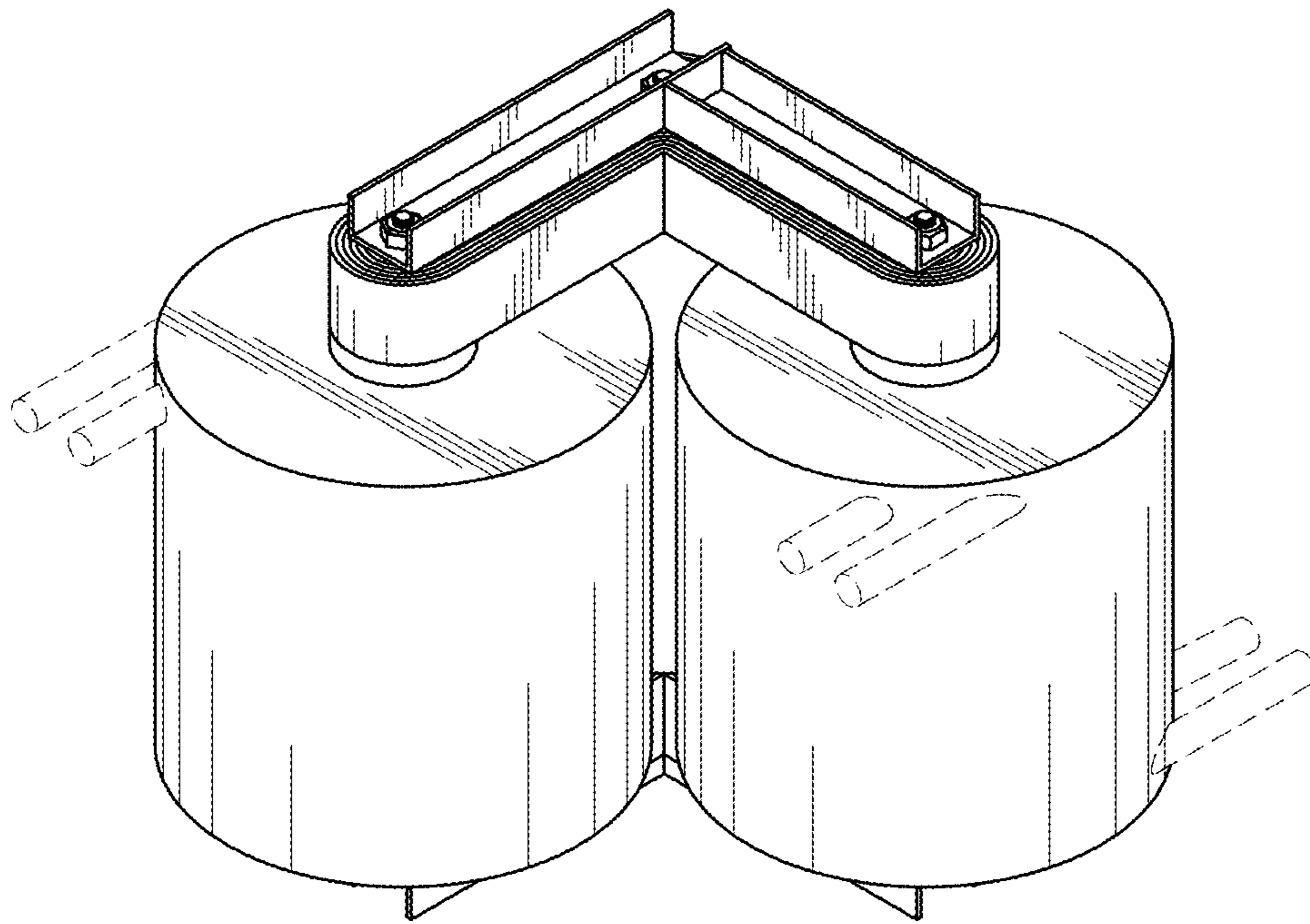
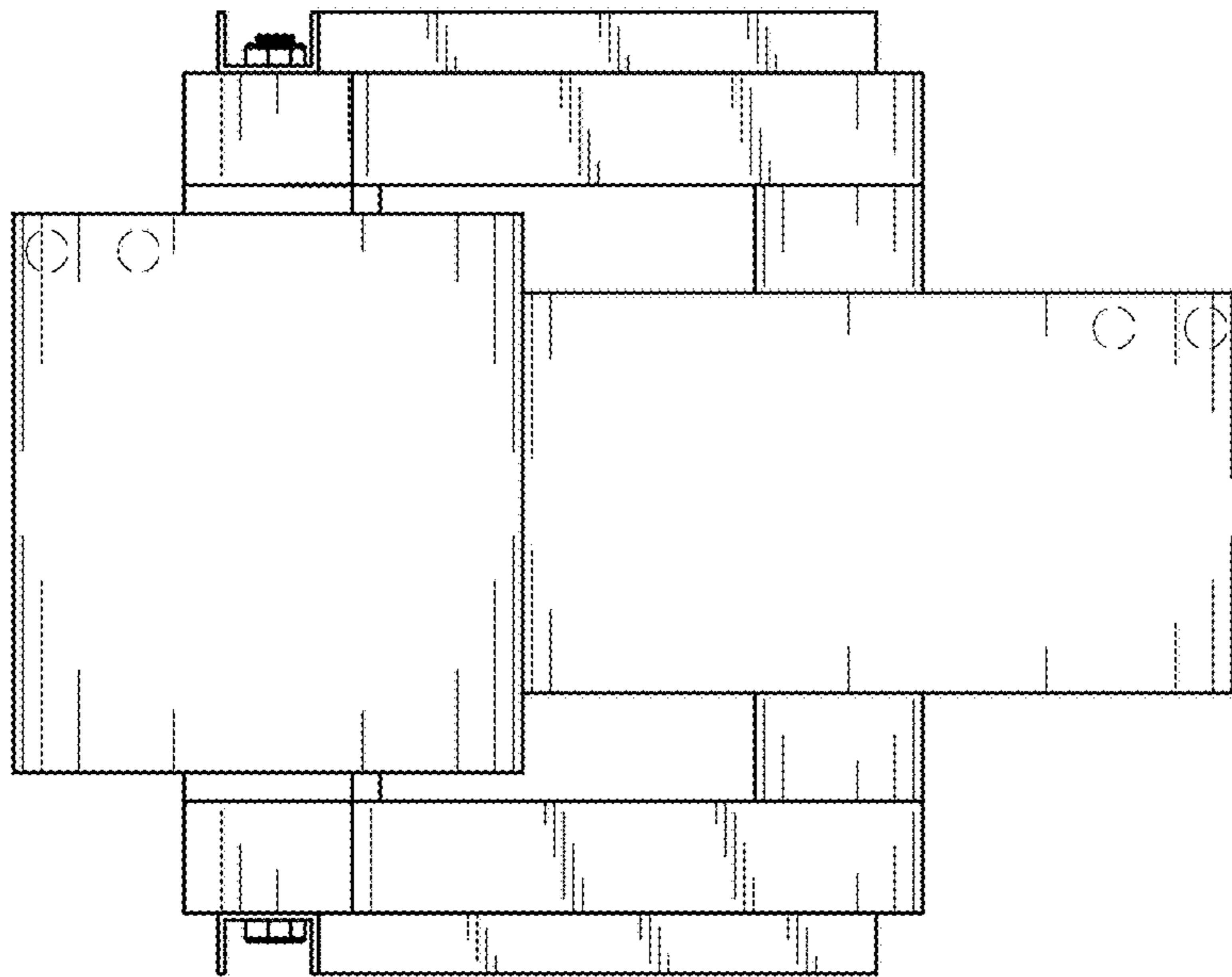


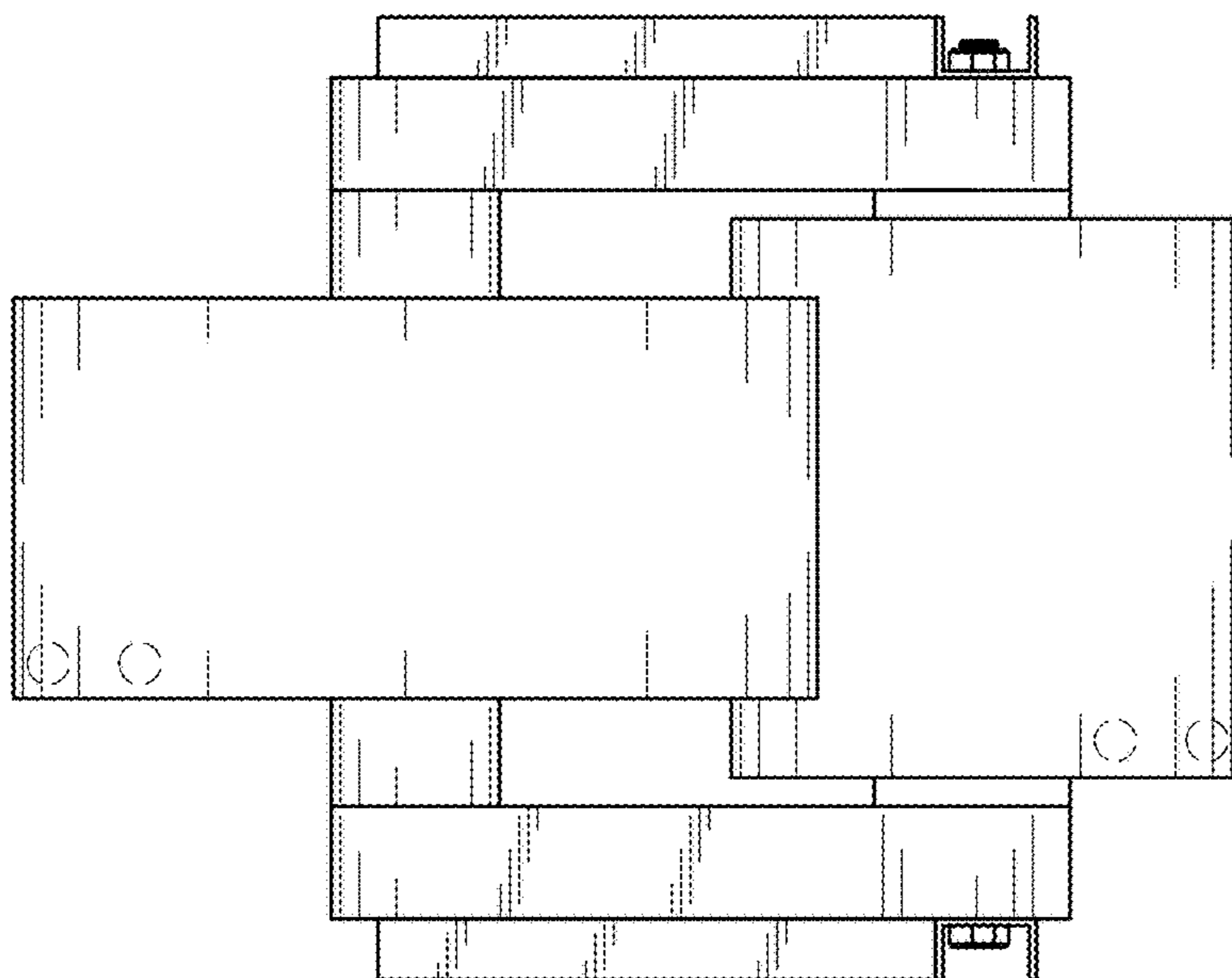
FIG. 6



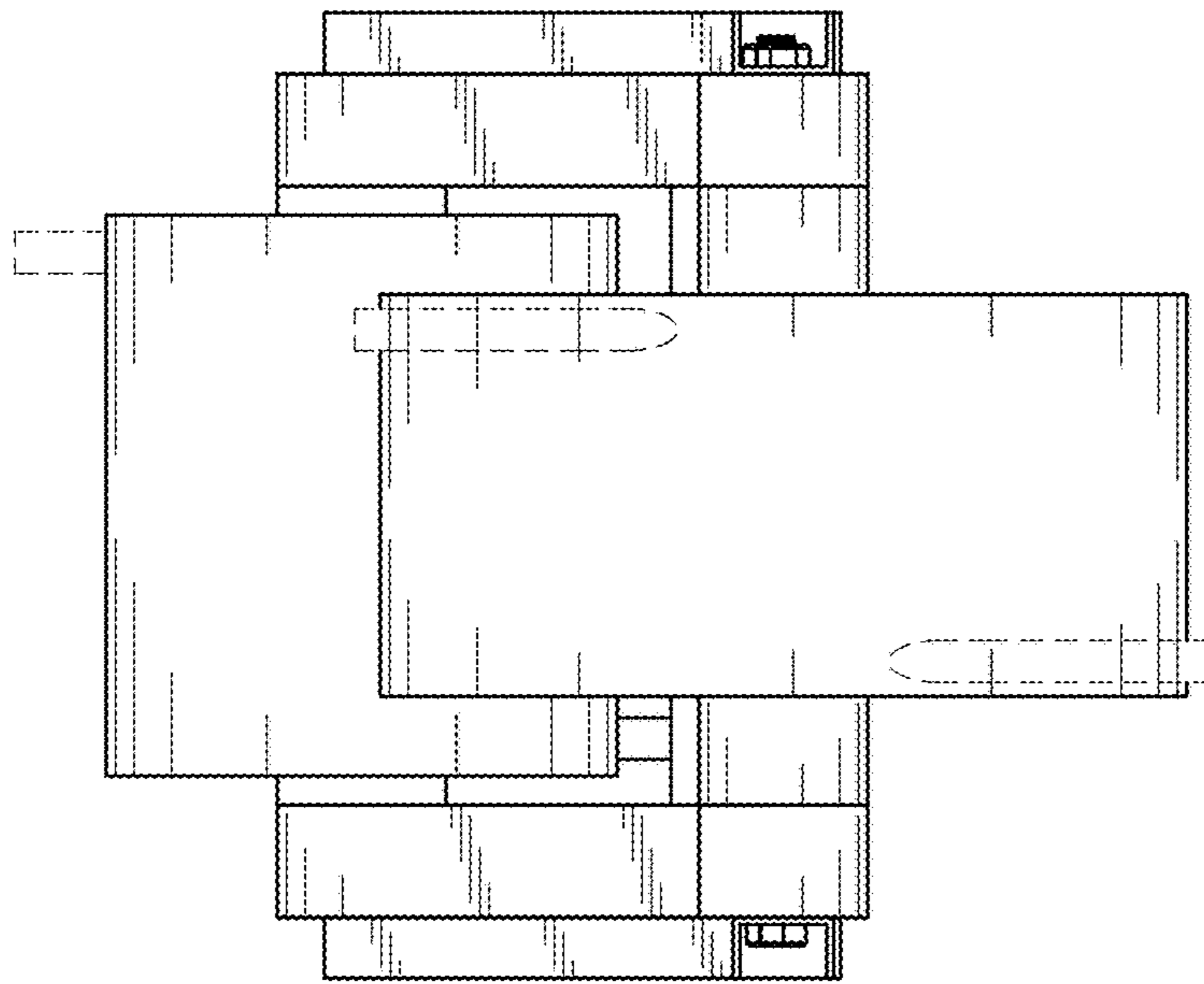
*FIG. 7*



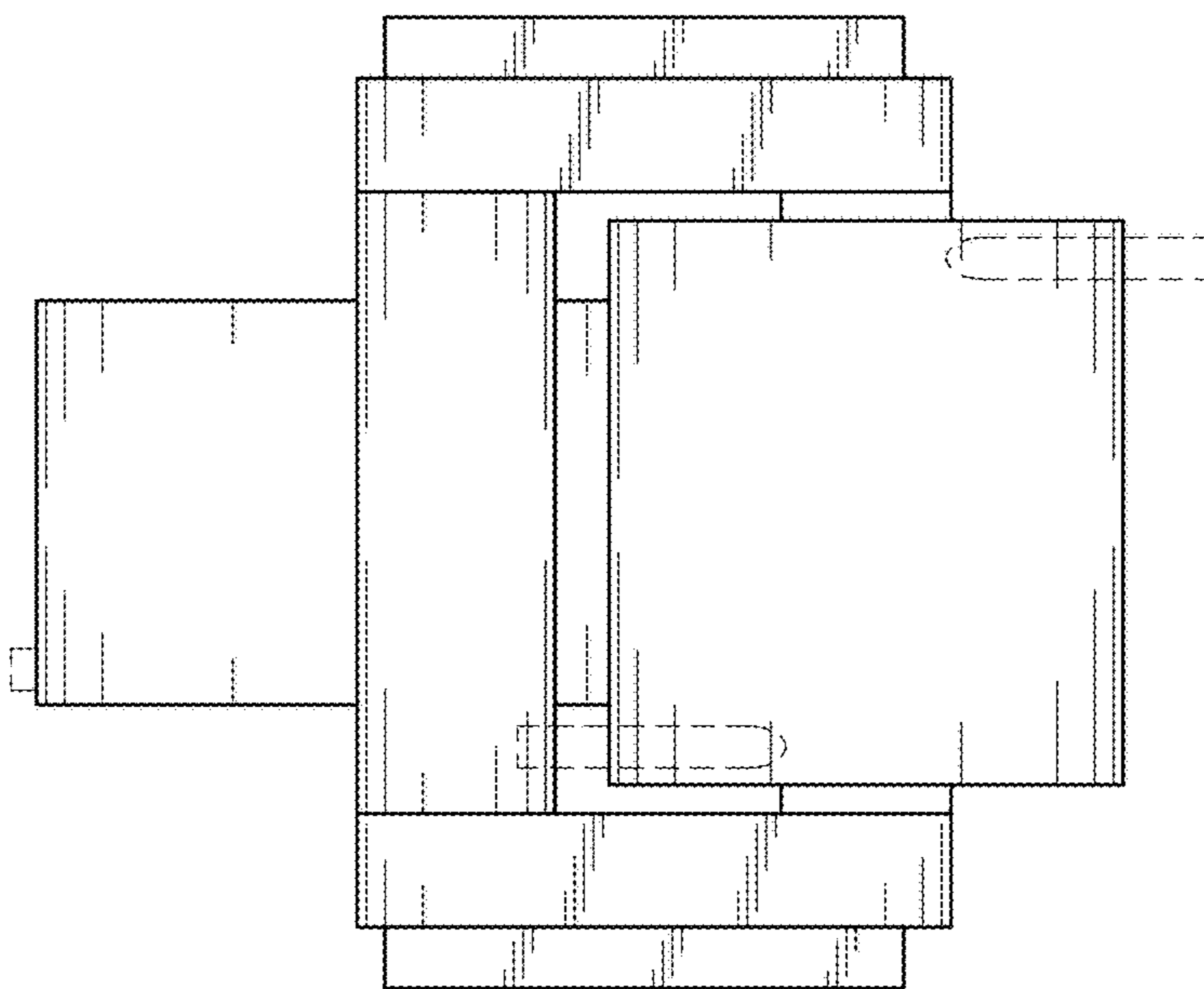
*FIG. 8*



*FIG. 9*



*FIG. 10*



*FIG. 11*



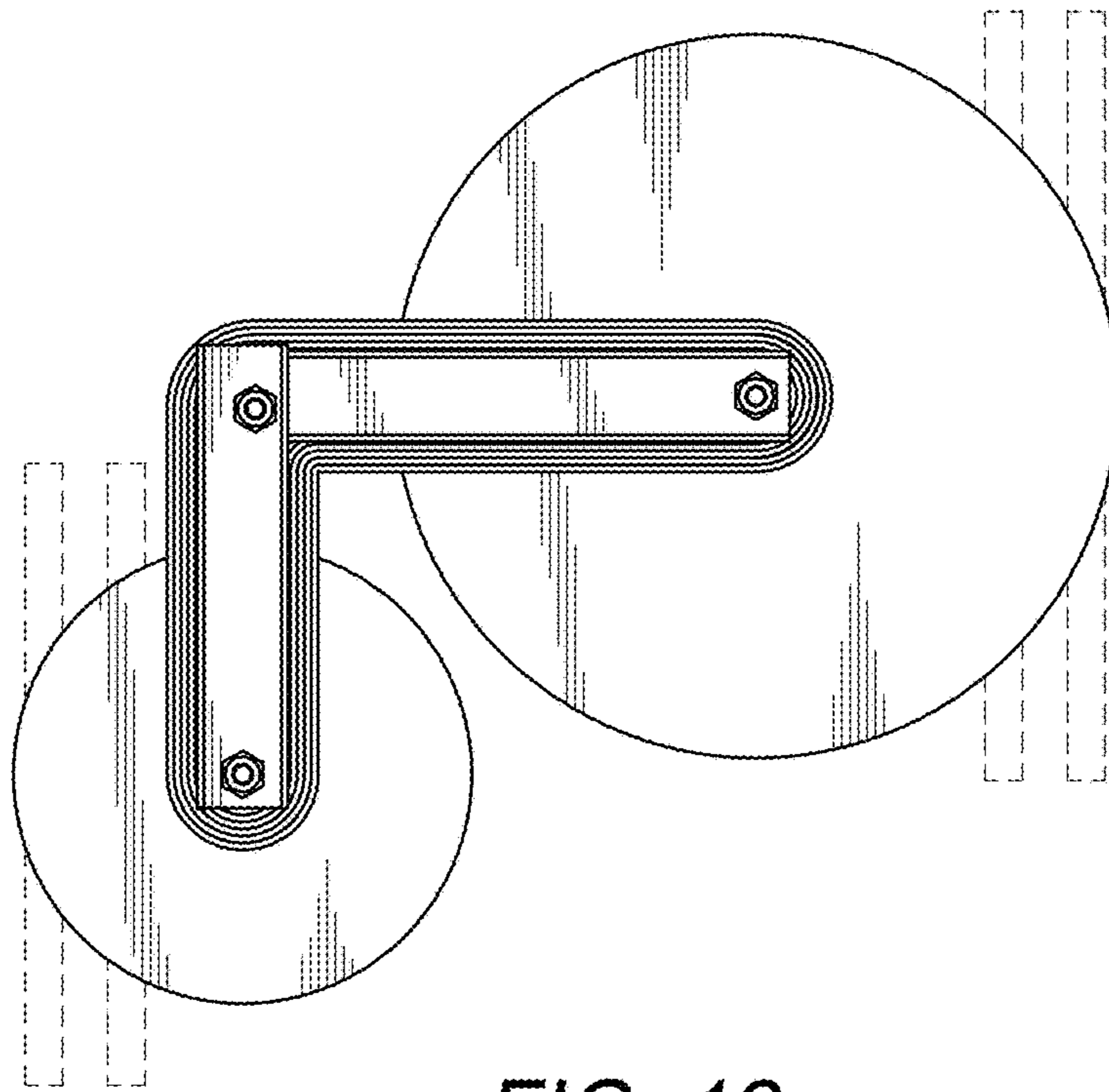


FIG. 12

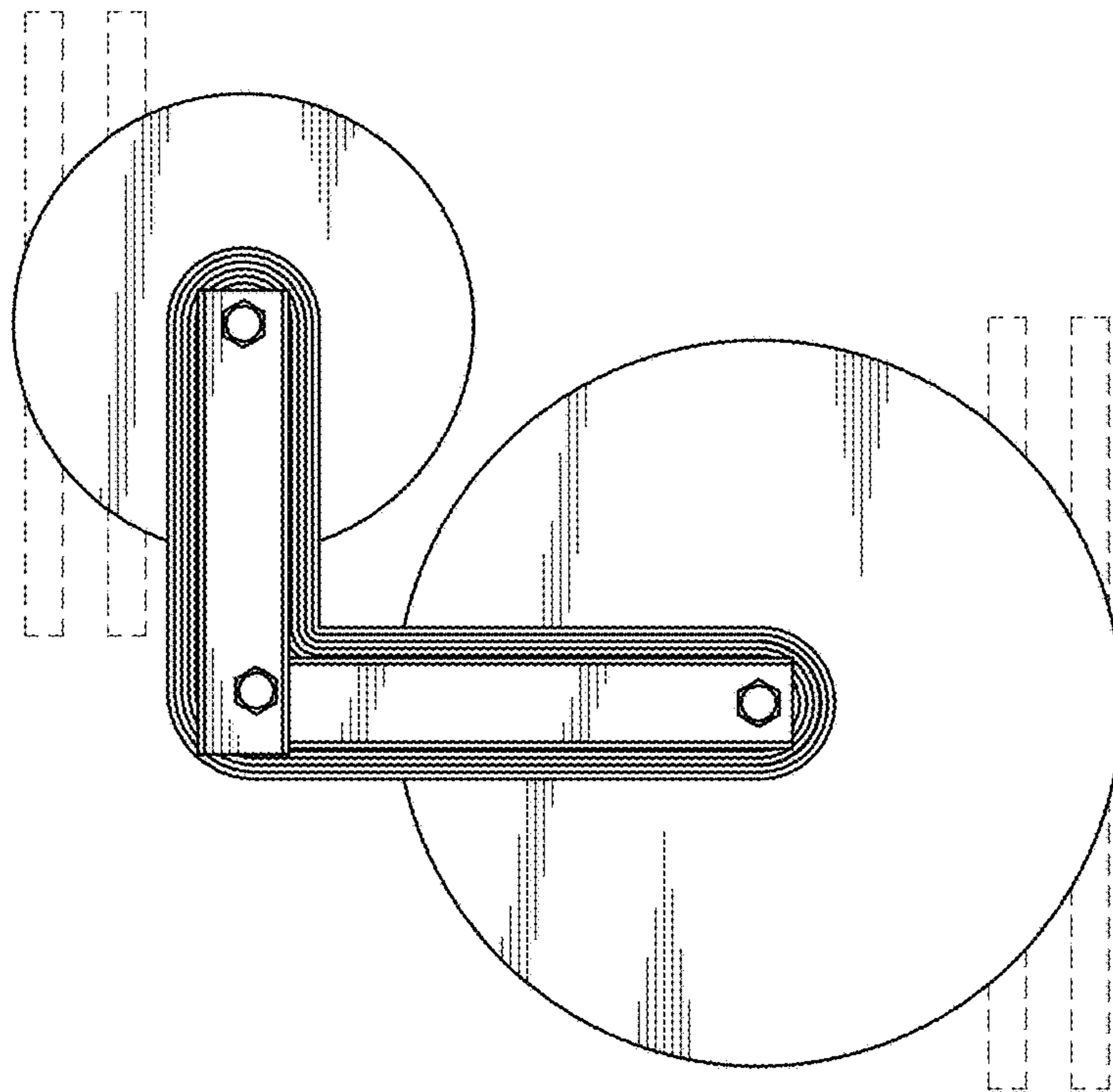


FIG. 13

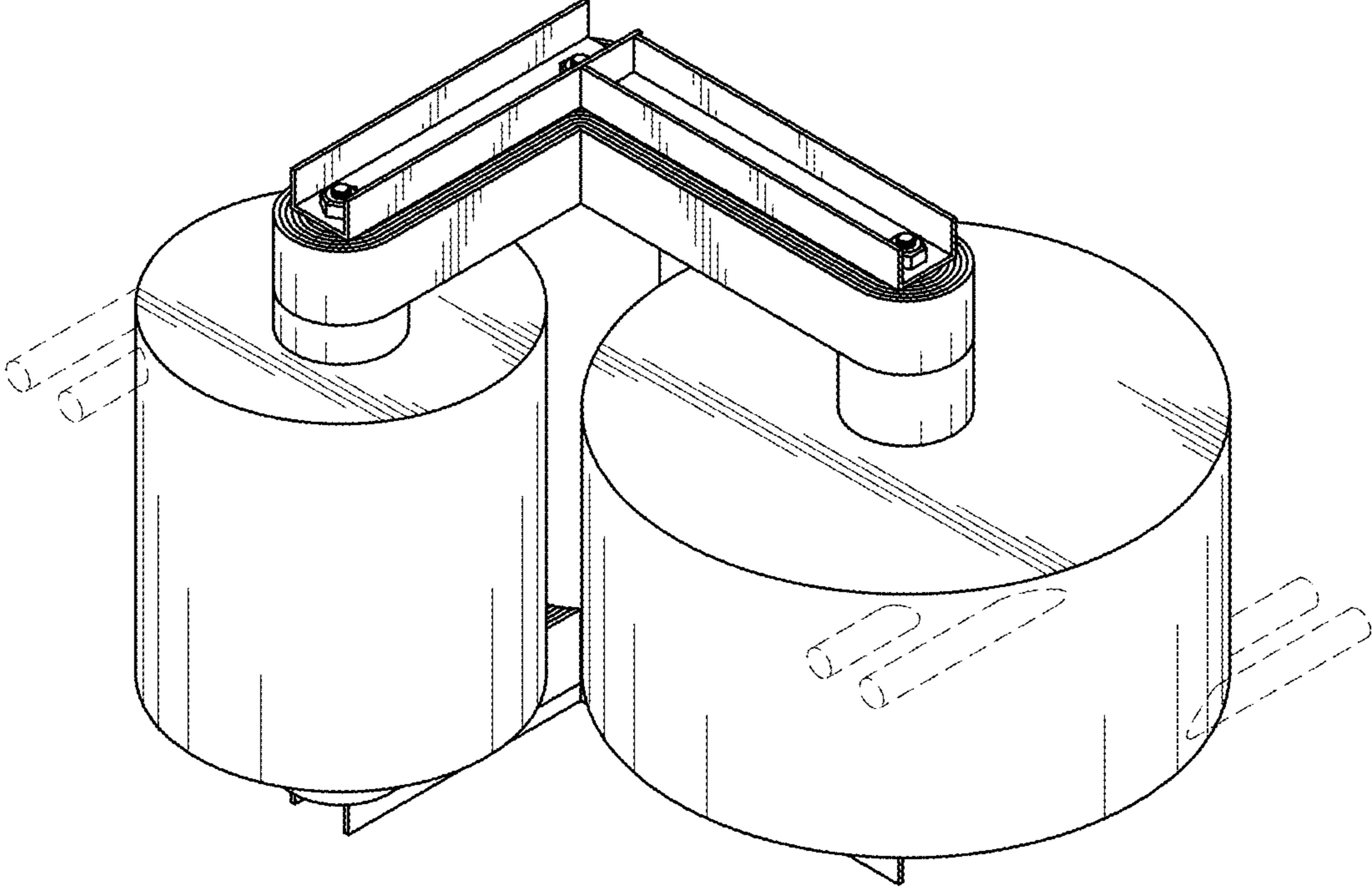


FIG. 14