

US00D800060S

(12) **United States Design Patent** (10) **Patent No.:** **US D800,060 S**
Solland et al. (45) **Date of Patent:** **** Oct. 17, 2017**

(54) **CHARGING CASE**
(71) Applicants: **Kurt Solland**, Goodyear, AZ (US);
Debora Monzelowsky, Goodyear, AZ (US)
(72) Inventors: **Kurt Solland**, Goodyear, AZ (US);
Debora Monzelowsky, Goodyear, AZ (US)
(**) Term: **15 Years**
(21) Appl. No.: **29/532,170**
(22) Filed: **Jul. 2, 2015**
(51) **LOC (10) Cl.** **13-02**
(52) **U.S. Cl.**
USPC **D13/108; D3/273**
(58) **Field of Classification Search**
USPC D13/107-110, 118-119, 184; D14/251,
D14/253, 432, 434; D3/318, 201, 273,
D3/274
CPC Y02E 60/12; Y02T 90/14; Y02T 90/122;
Y02T 90/128; Y02T 90/163; H02J 7/025;
H02J 7/0042; H02J 7/0044; H02J 7/0045;
H02J 7/0003; H01F 38/14; H01R
13/6675; H01M 2/1022; H01M 2/1055;
H01M 10/44; H01M 10/46; H01M
10/425; B60L 11/182
See application file for complete search history.

6,600,479 B1 7/2003 Smith et al.
D495,956 S * 9/2004 Martinez D9/520
D511,895 S * 11/2005 Vish D3/318
6,966,791 B1 11/2005 Farr
7,032,854 B2 4/2006 Marsden
D523,750 S * 6/2006 Lee D28/82
7,106,301 B2 9/2006 Smith et al.
7,140,511 B2 11/2006 Baker et al.
D533,387 S * 12/2006 Huang D6/407
D535,556 S * 1/2007 Broderick D9/416
7,195,414 B2 3/2007 Altonen et al.
D565,301 S * 4/2008 Chen D3/273
7,381,005 B2 6/2008 Altonen et al.
D612,595 S * 3/2010 McCurdy D3/218
D620,257 S * 7/2010 Fujimura D3/294
D629,202 S * 12/2010 Wai D3/201

(Continued)

Primary Examiner — Rosemary K Tarcza
Assistant Examiner — Nathaniel D Buckner
(74) *Attorney, Agent, or Firm* — Plumsea Law Group, LLC

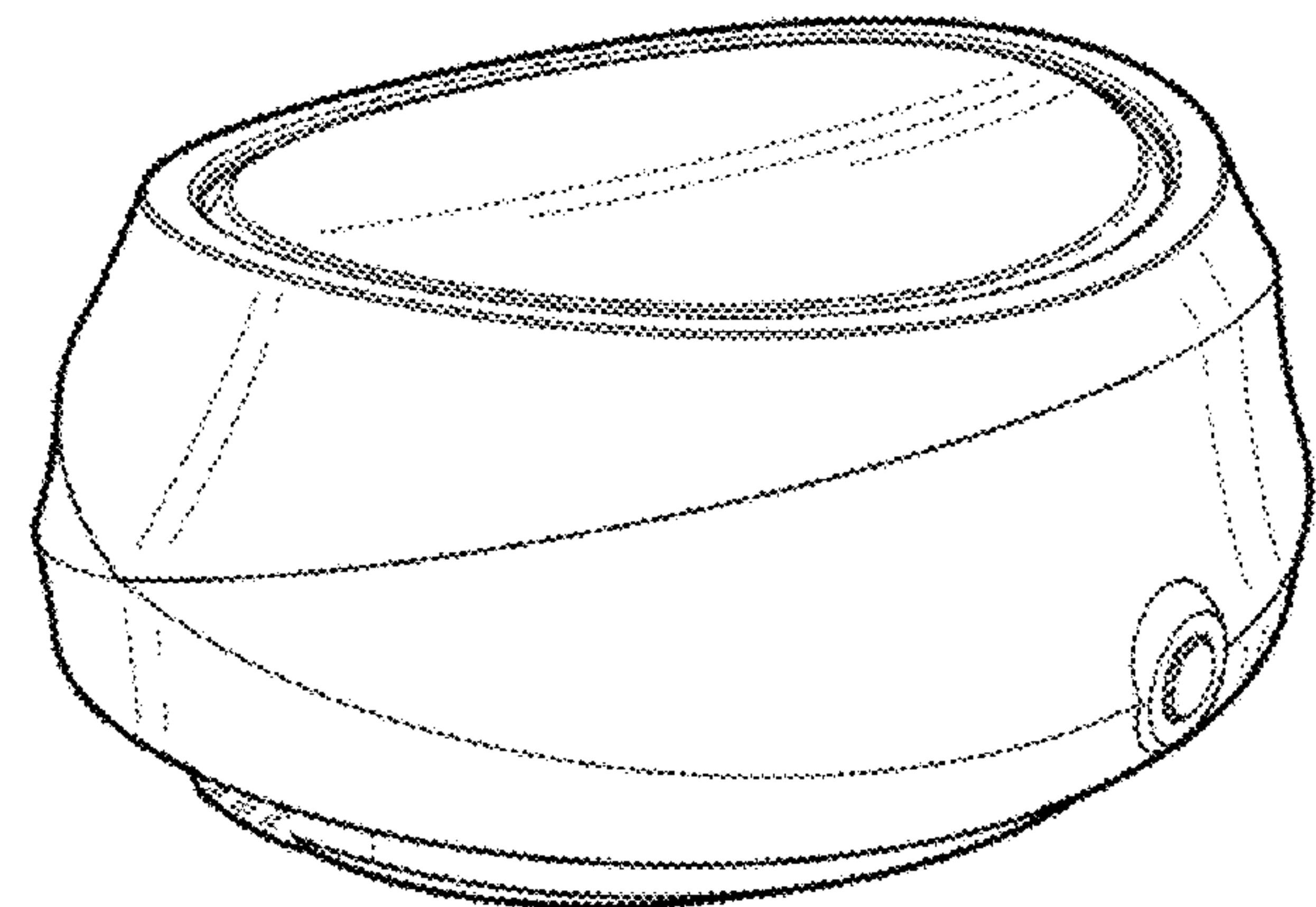
(57) **CLAIM**
The ornamental design for a charging case, as shown as described.

DESCRIPTION

This application is related to co-filed U.S. utility patent application Ser.No. 14/790,054, the contents of which is hereby incorporated in its entirety.
FIG. 1 is a perspective view of a charging case showing our new design, in a closed condition;
FIG. 2 is a top plan view thereof;
FIG. 3 is a front elevational view thereof, the rear side being a mirror image thereof;
FIG. 4 is a side elevational view of one side thereof; and, FIG. 5 is a side elevational view of the opposite side thereof. The broken lines in the drawings are included for the purpose of illustrating portions of the article and form no part of the claimed design.

1 Claim, 2 Drawing Sheets

(56) **References Cited**
U.S. PATENT DOCUMENTS
391,145 A 10/1888 Hardin
D333,560 S * 3/1993 Miyashita D3/218
D399,603 S * 10/1998 Hemsley, Jr. D28/66
5,887,720 A 3/1999 Lin
D430,444 S * 9/2000 Allsop D6/632
D439,376 S * 3/2001 Lerolle D28/82
D442,993 S * 5/2001 Eisen D19/73
D466,940 S * 12/2002 Gstalder D19/73



(56)

References Cited

U.S. PATENT DOCUMENTS

8,167,102 B2 5/2012 Skillman
D669,133 S * 10/2012 Dalton B25C 7/00
D19/75
D671,367 S * 11/2012 Shah D7/542
D678,675 S * 3/2013 Lin D3/273
D690,055 S * 9/2013 Chen D28/73
8,528,789 B2 9/2013 Ramsey et al.
8,540,113 B2 9/2013 Bailey
8,714,358 B2 5/2014 Debitzky
D735,475 S * 8/2015 Romero Pedret D3/254
D760,392 S * 6/2016 Jurkiewicz D24/174
9,426,910 B1 * 8/2016 Lee H01R 13/6205
D774,904 S * 12/2016 Elston D3/201
D781,699 S * 3/2017 Pan D9/423
2006/0006038 A1 * 1/2006 Beverlin B65H 75/406
191/12.2 R
2013/0037545 A1 * 2/2013 Valley, III B65D 43/20
220/345.2

* cited by examiner

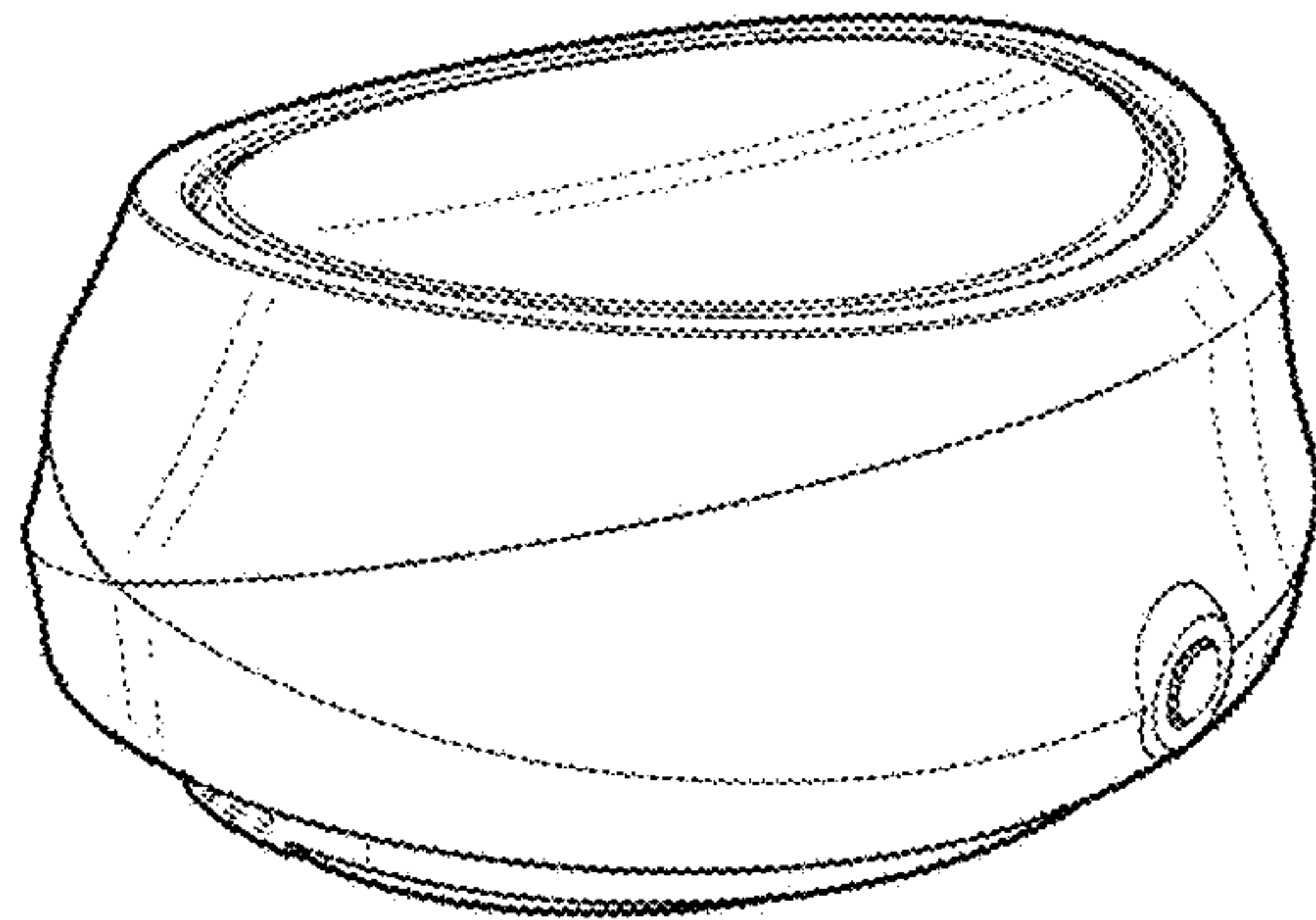


FIG. 1

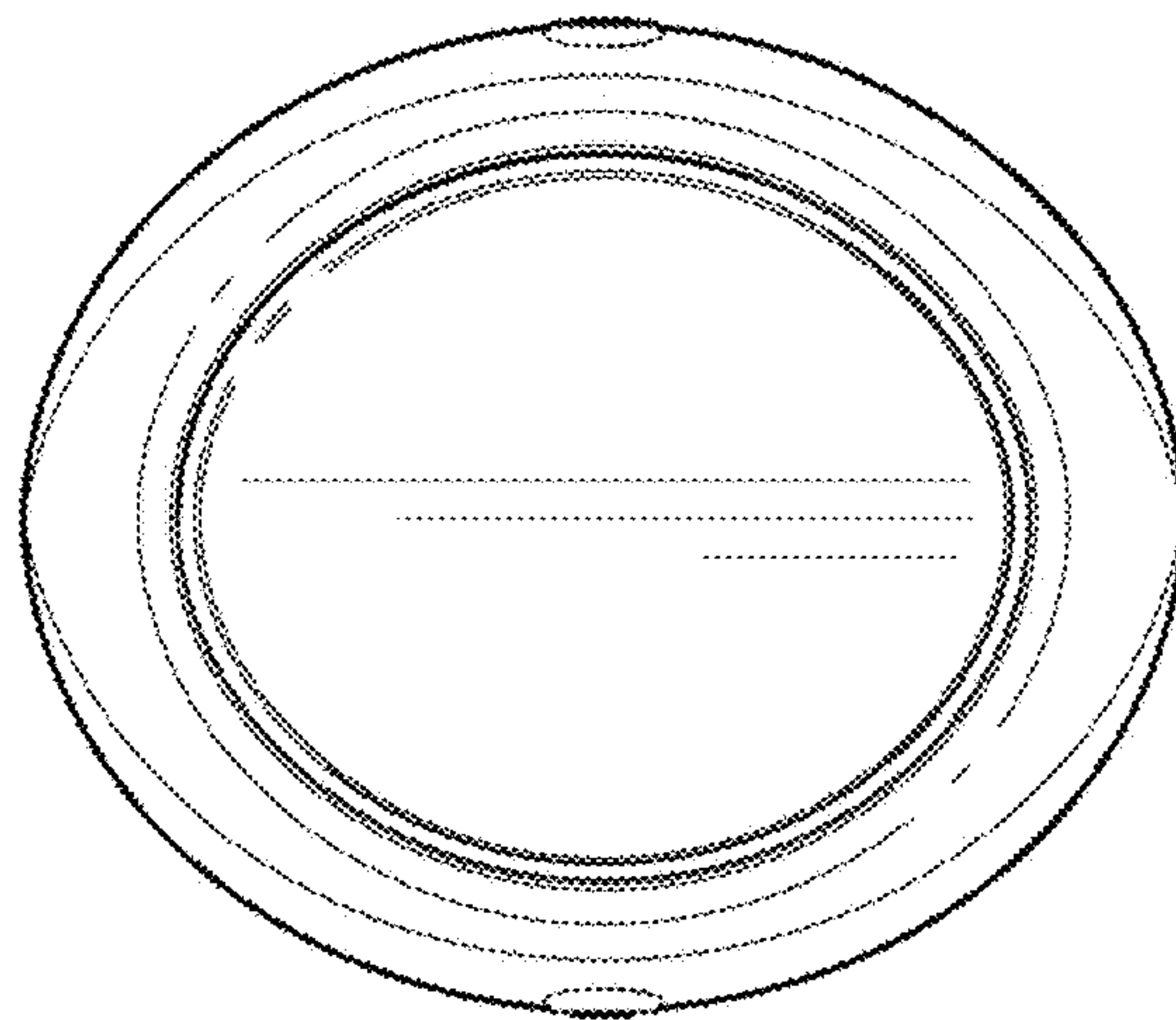


FIG. 2

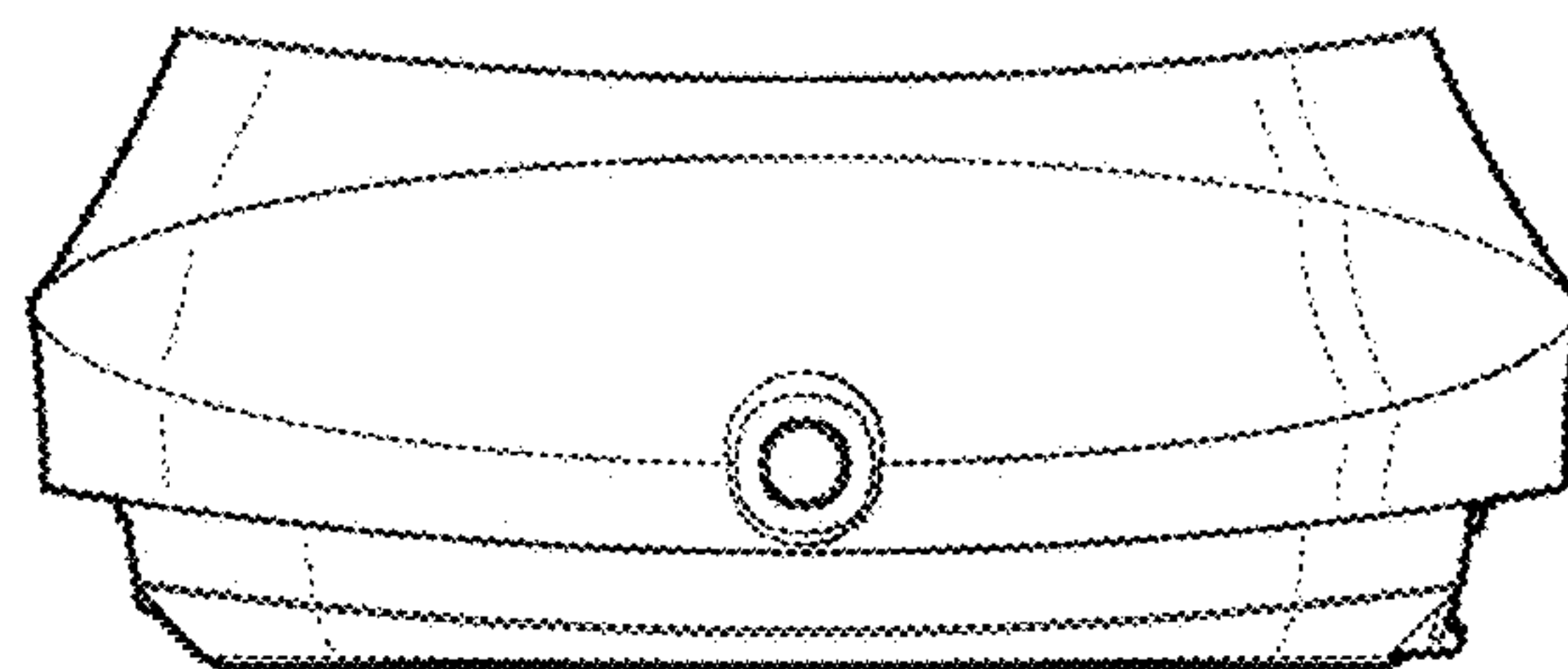


FIG. 3

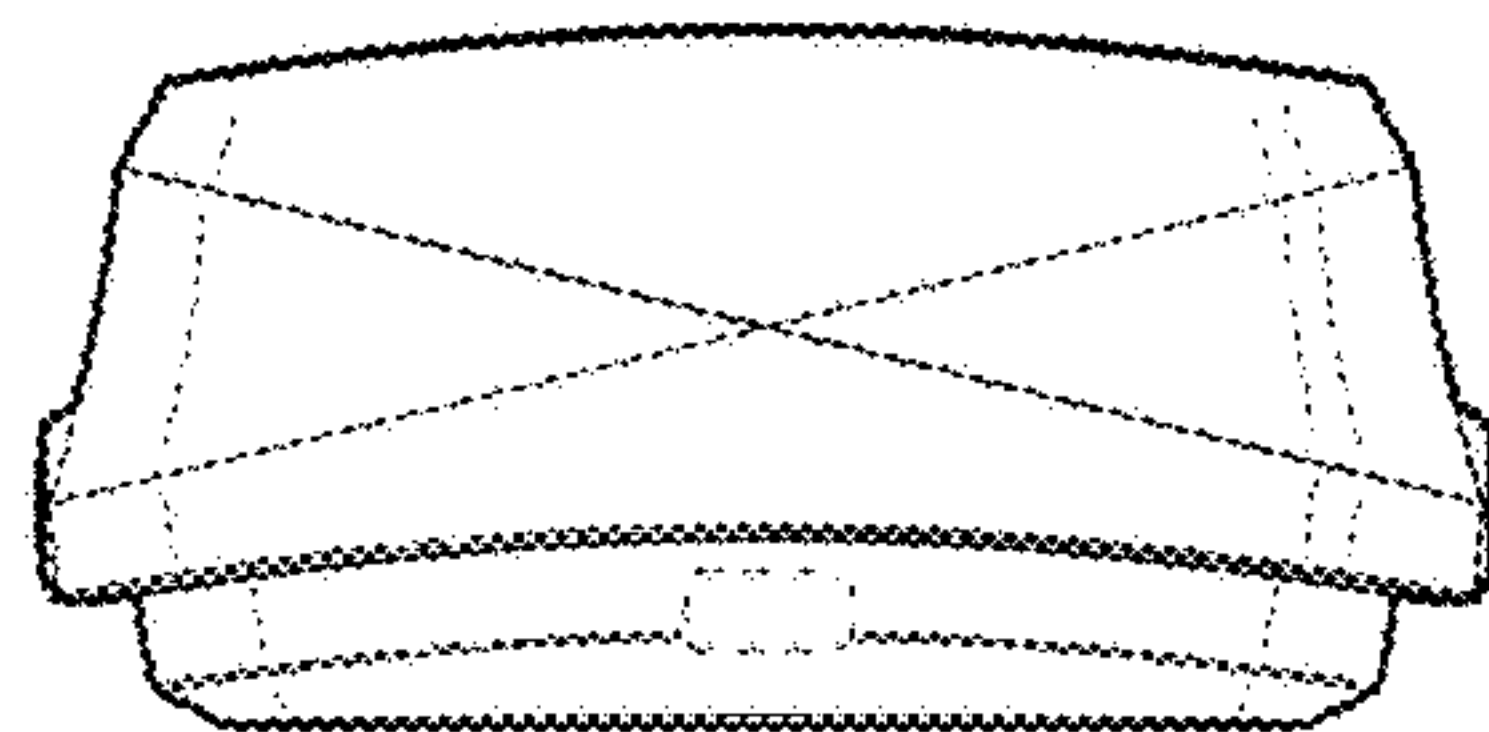


FIG. 4

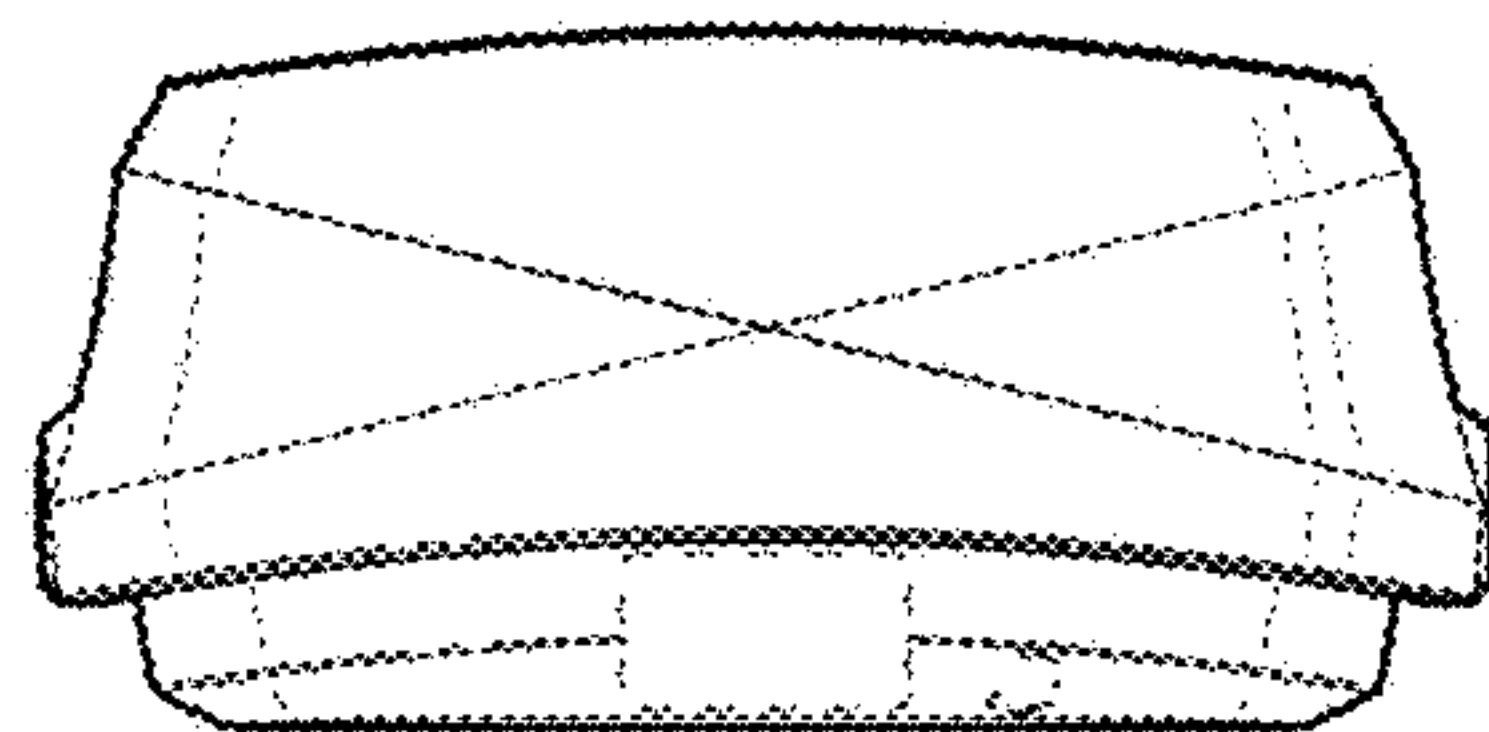


FIG. 5