



US00D800059S

(12) **United States Design Patent** (10) **Patent No.:** **US D800,059 S**  
**Tsui** (45) **Date of Patent:** **\*\* Oct. 17, 2017**

(54) **CHARGER**

(71) Applicant: **Ka Yin Tsui**, N.T. (HK)

(72) Inventor: **Ka Yin Tsui**, N.T. (HK)

(\*\*) Term: **15 Years**

(21) Appl. No.: **29/540,287**

(22) Filed: **Sep. 23, 2015**

(51) **LOC (10) Cl.** ..... **13-02**

(52) **U.S. Cl.**  
USPC ..... **D13/107**

(58) **Field of Classification Search**  
USPC ..... D13/102–110, 118, 119, 184, 199;  
D14/251, 253, 432, 434

CPC ..... Y02E 60/10; Y02E 60/12; Y02E 60/122;  
Y02E 60/124; Y02E 60/50; H01M 2/022;  
H01M 2/0202; H01M 2/0207; H01M  
2/0212; H01M 2/1061; H01M 2/1022;  
H01M 2/1055; H01M 2/1066; H01M  
2/105; H01M 2/20; H01M 2/202; H01M  
2/204; H01M 2/206; H01M 10/44; H01M  
10/46; H01M 10/465; H01M 10/482;  
H01M 2200/30; H01M 2250/30; H01M  
2250/40; H02J 7/00; H02J 7/0003; H02J  
7/0011; H02J 7/0013; H02J 7/0054; H02J  
7/0055; H02J 7/0057; H02J 2007/0062

See application file for complete search history.

(56) **References Cited**

**U.S. PATENT DOCUMENTS**

D293,940 S \* 1/1988 Lasker ..... D26/65  
D572,654 S \* 7/2008 Kang ..... D13/107

D591,244 S \* 4/2009 Birmingham ..... D13/133  
D617,746 S \* 6/2010 Choi ..... D13/164  
D659,642 S \* 5/2012 Chen ..... D13/133  
D664,146 S \* 7/2012 Hoehn ..... D14/433  
D694,703 S \* 12/2013 Faro ..... D13/103  
D706,711 S \* 6/2014 Robinson ..... D13/110  
D713,838 S \* 9/2014 Andre ..... D14/253  
D733,046 S \* 6/2015 Shin ..... D13/107  
D737,763 S \* 9/2015 Capriola ..... D13/110  
D754,602 S \* 4/2016 Capriola ..... D13/110  
D766,241 S \* 9/2016 Maletz ..... D10/104.1  
D768,569 S \* 10/2016 Ohno ..... D13/107  
D770,972 S \* 11/2016 Kruglak ..... D13/107  
2010/0311300 A1 \* 12/2010 Hansen ..... A63H 33/042  
446/91  
2014/0127965 A1 \* 5/2014 Adam ..... A63H 33/042  
446/91  
2016/0258473 A1 \* 9/2016 Koop ..... F16M 13/022

\* cited by examiner

*Primary Examiner* — Rosemary K Tarcza

*Assistant Examiner* — Alison Ofstun

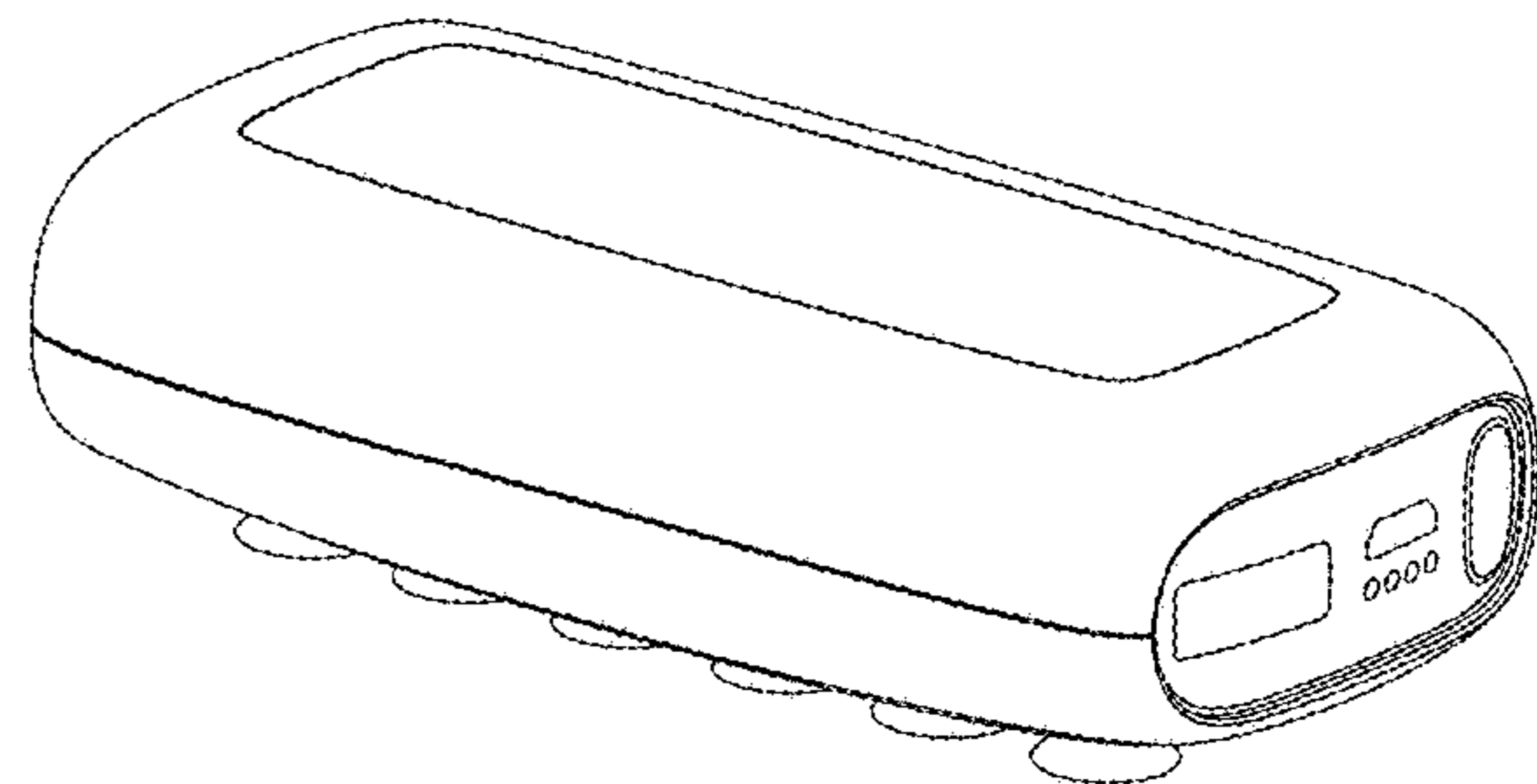
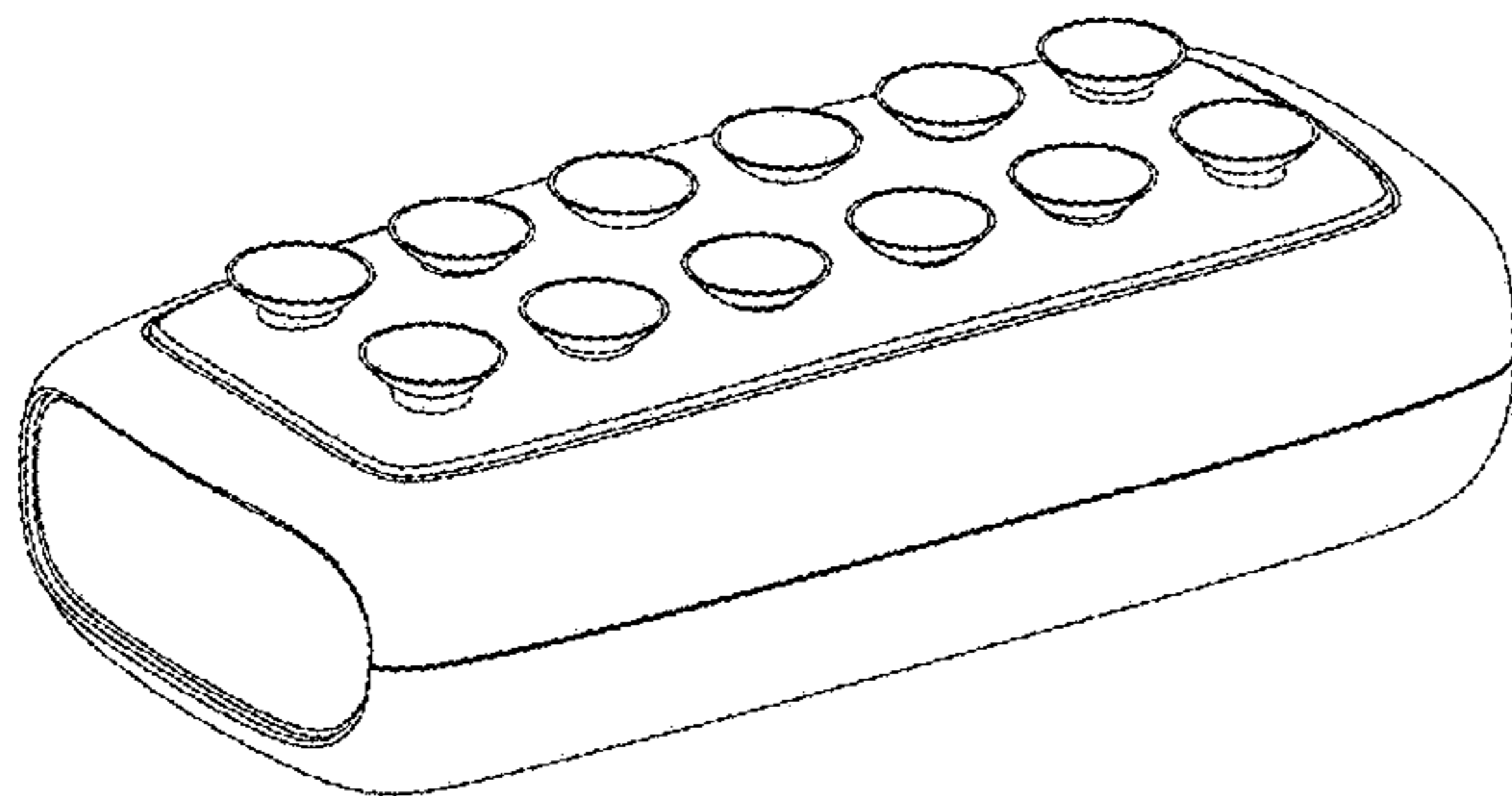
(57) **CLAIM**

The ornamental design for a charger, as shown.

**DESCRIPTION**

FIG. 1 is a front elevational view of a charger showing my new design;  
FIG. 2 is a rear elevational view thereof;  
FIG. 3 is a left side view thereof;  
FIG. 4 is a right side view thereof;  
FIG. 5 is a top plan view thereof;  
FIG. 6 is a bottom plan view thereof;  
FIG. 7 is a perspective view thereof; and,  
FIG. 8 is another perspective view thereof.

**1 Claim, 5 Drawing Sheets**



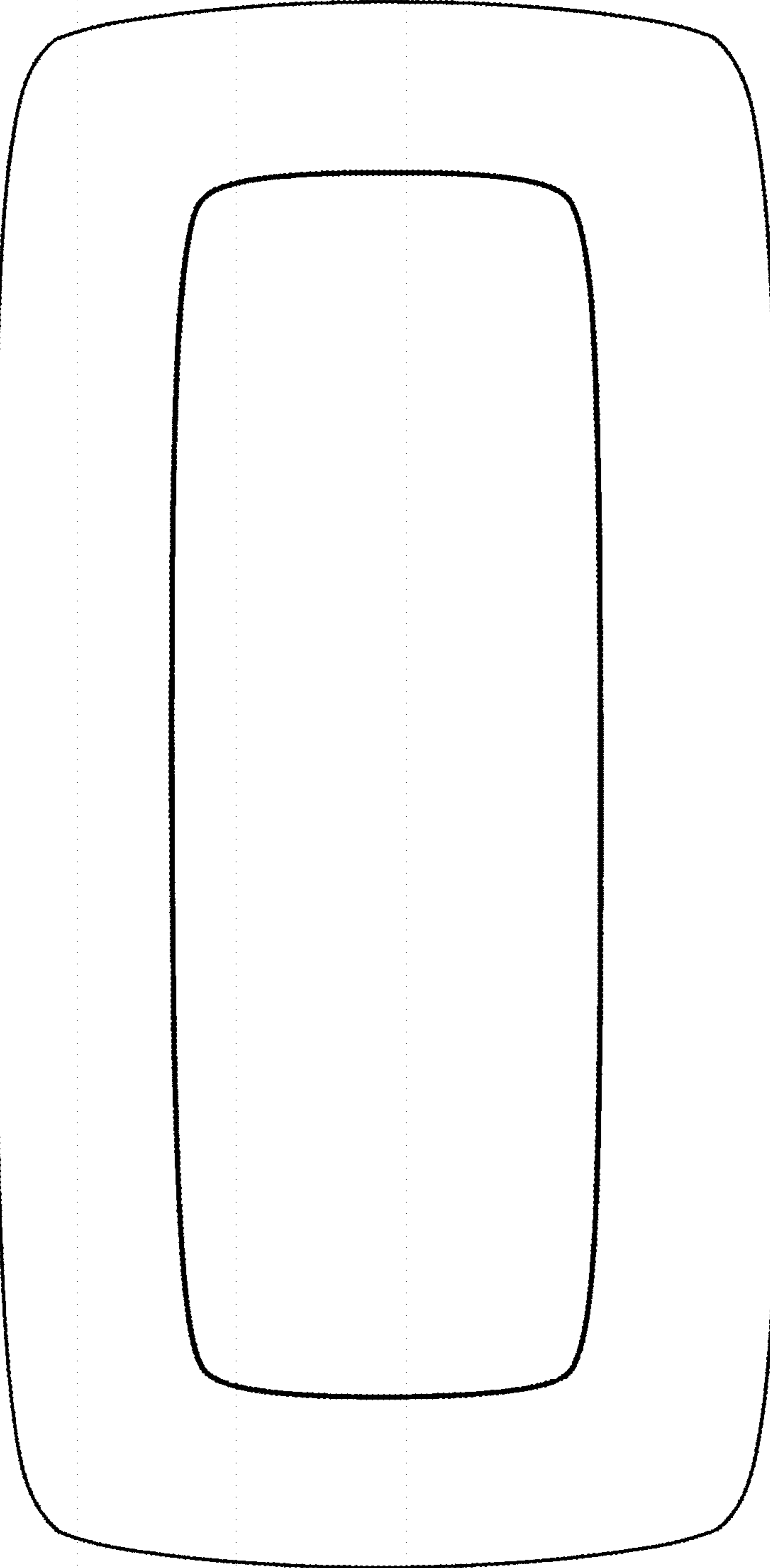


FIG. 1

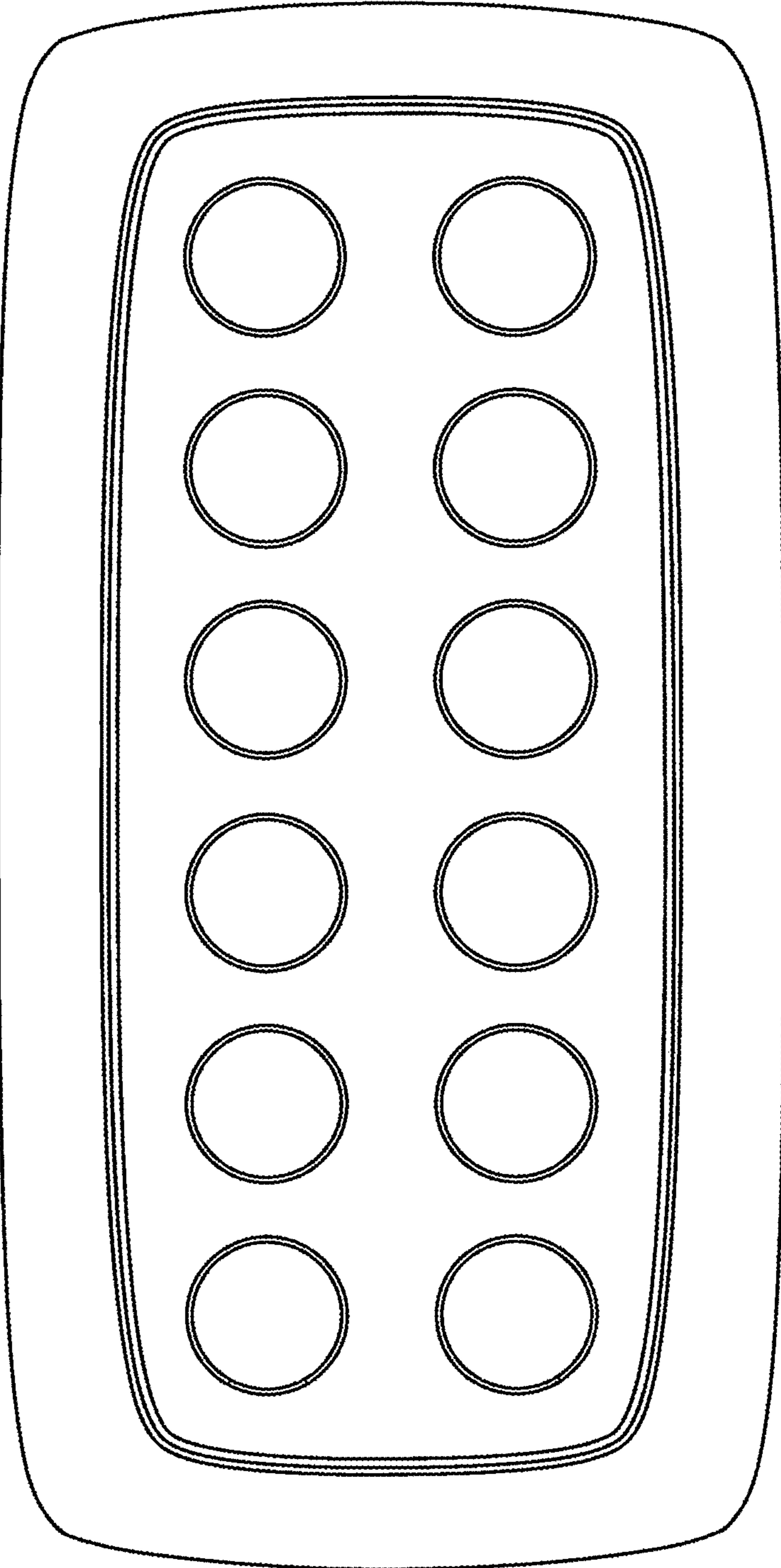


FIG. 2

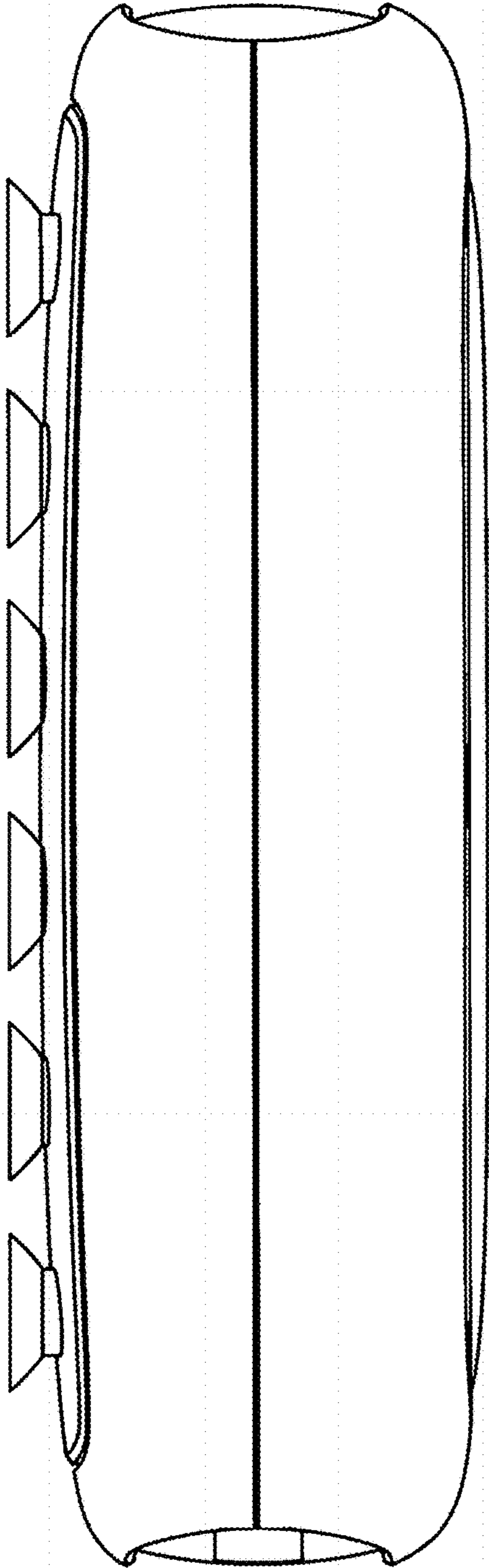


FIG. 3

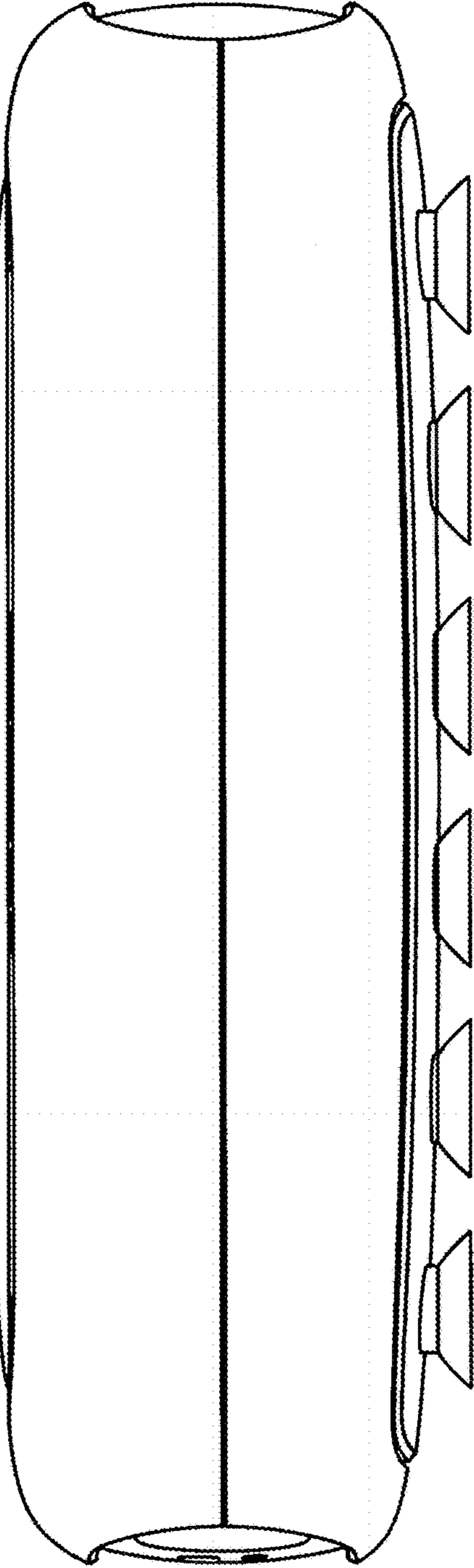


FIG. 4



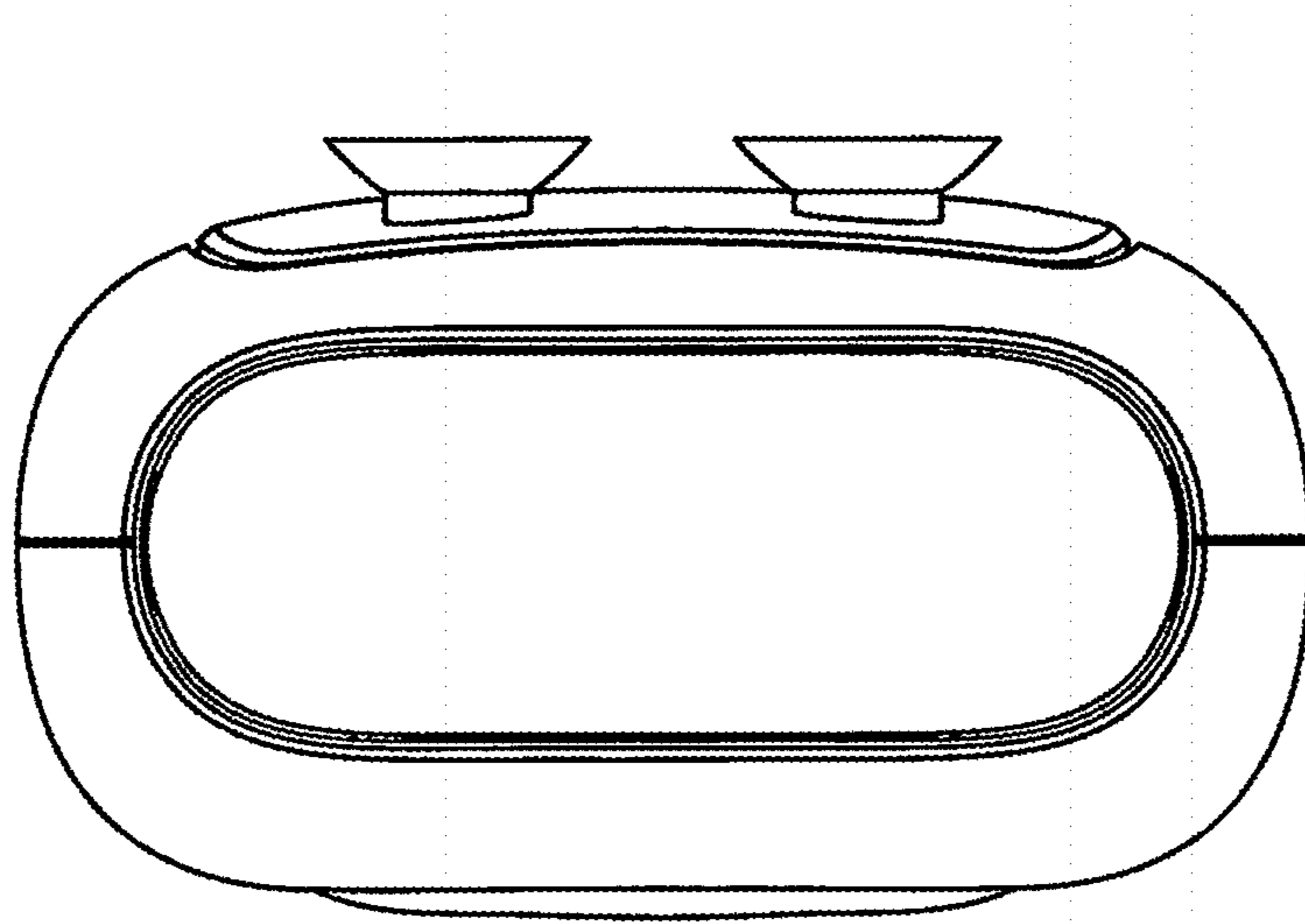


FIG. 5

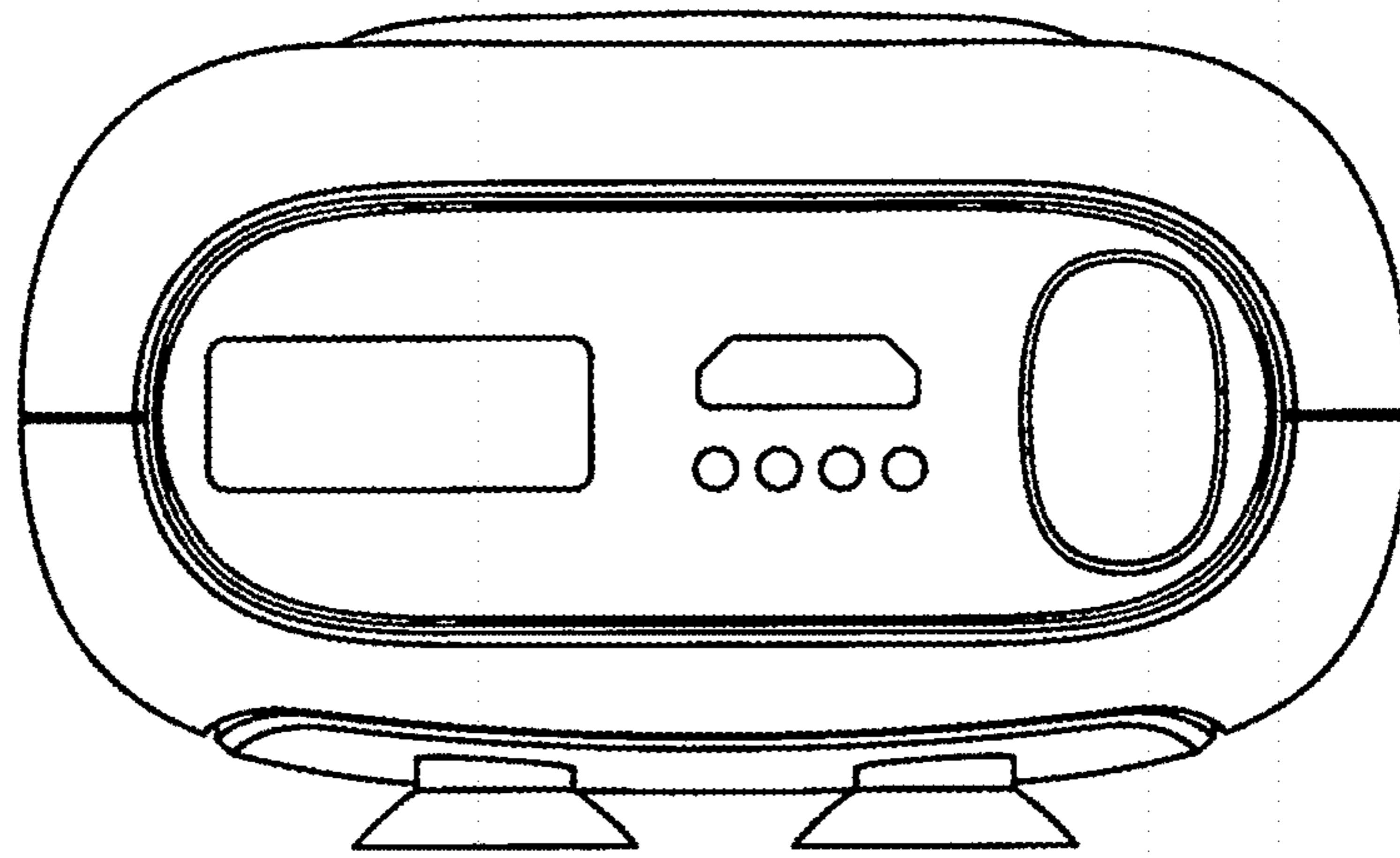


FIG. 6

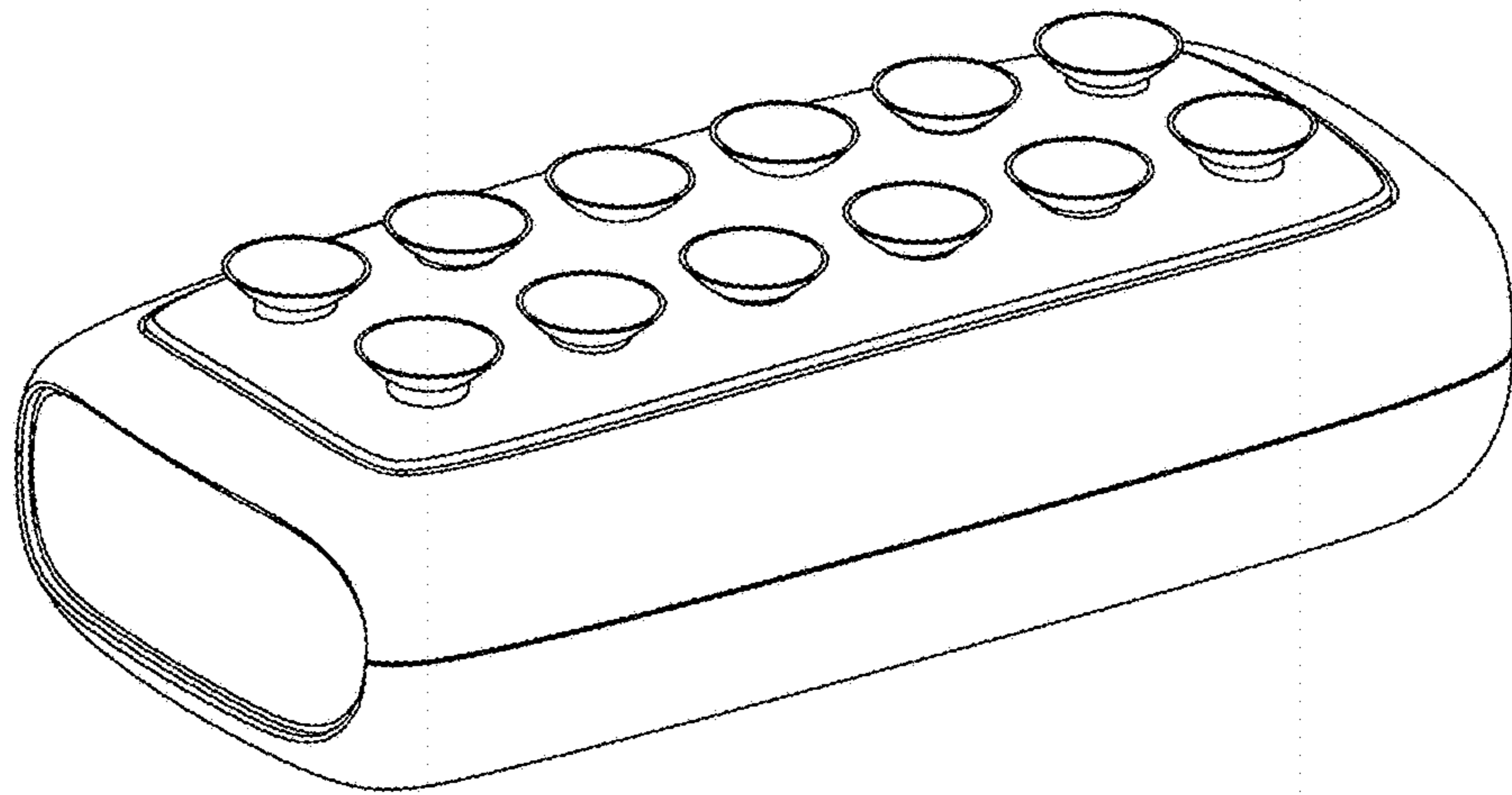


FIG. 7

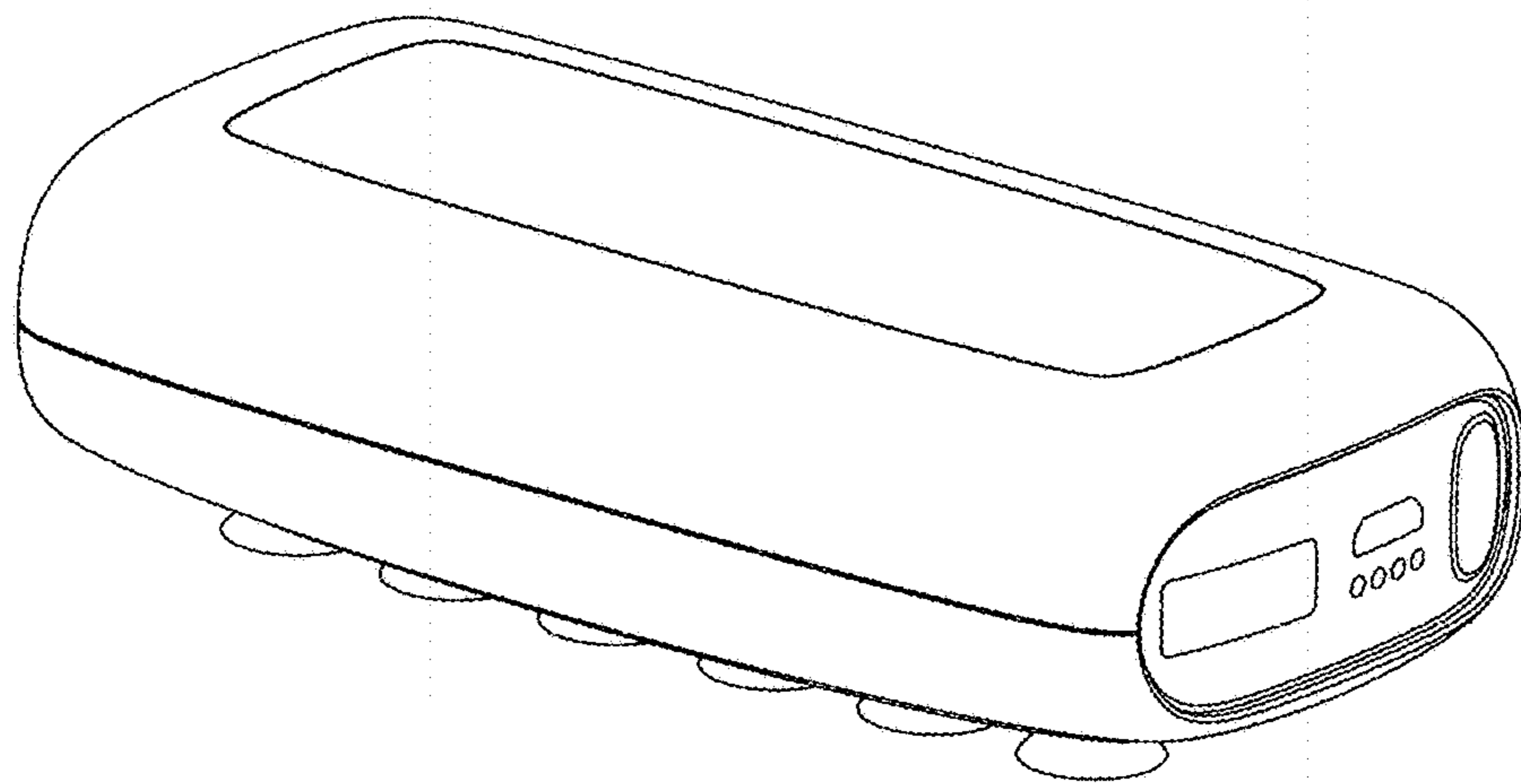


FIG. 8