



US00D800057S

(12) **United States Design Patent**
Brinkmann et al.

(10) **Patent No.: US D800,057 S**

(45) **Date of Patent: ** Oct. 17, 2017**

(54) **SOLAR PANEL MOUNTING**

(71) Applicant: **HAFENBAHN GMBH & CO. KG,**
Rheine (DE)

(72) Inventors: **Manfred Brinkmann,** Rheine (DE);
Peer Haase, Rheine (DE)

(**) Term: **15 Years**

(21) Appl. No.: **35/501,395**

(22) Filed: **Jul. 18, 2016**

(80) **Hague Agreement Data**

Int. Filing Date: **Jul. 18, 2016**

Int. Reg. No.: **DM/091942**

Int. Reg. Date: **Jul. 18, 2016**

Int. Reg. Pub. Date: **Aug. 12, 2016**

(51) **LOC (10) Cl. 13-02**

(52) **U.S. Cl.**
USPC **D13/102**

(58) **Field of Classification Search**
USPC D25/124; D13/102; D8/349
CPC F24J 2/5205; F24J 2/5237; F24J 2/5256;
F16B 2001/0064; F16B 1/00; H01L
31/042; H02S 20/24; H02S 30/10; H02S
30/20

See application file for complete search history.

(56) **References Cited**

U.S. PATENT DOCUMENTS

6,584,737 B1 * 7/2003 Bradley, Jr. F24J 2/5247
248/148
7,694,466 B2 * 4/2010 Miyamoto F24J 2/5207
126/623

D638,554 S * 5/2011 Bub F24J 2/5239
D25/124
8,713,881 B2 * 5/2014 DuPont F24J 2/5203
52/173.3
8,875,453 B2 * 11/2014 Kanczuzewski F16M 13/02
136/244
9,027,248 B2 * 5/2015 Flaherty H01L 31/0521
29/890.03
9,032,593 B2 * 5/2015 Rayos F16B 17/00
224/321
D732,698 S * 6/2015 Meng D25/61
9,087,947 B2 * 7/2015 Kanczuzewski F16M 13/02
9,413,285 B2 * 8/2016 Wildes H02S 20/00
9,571,031 B2 * 2/2017 Cavieres F16B 2/241
2014/0003861 A1 * 1/2014 Cheung F24J 2/5256
403/291
2014/0008312 A1 * 1/2014 Durney F24J 2/5254
211/26

* cited by examiner

Primary Examiner — Michael A Pratt

(57) **CLAIM**

The ornamental design for a solar panel mounting, as shown and described.

DESCRIPTION

1. Solar panel mounting

1.1 : Perspective

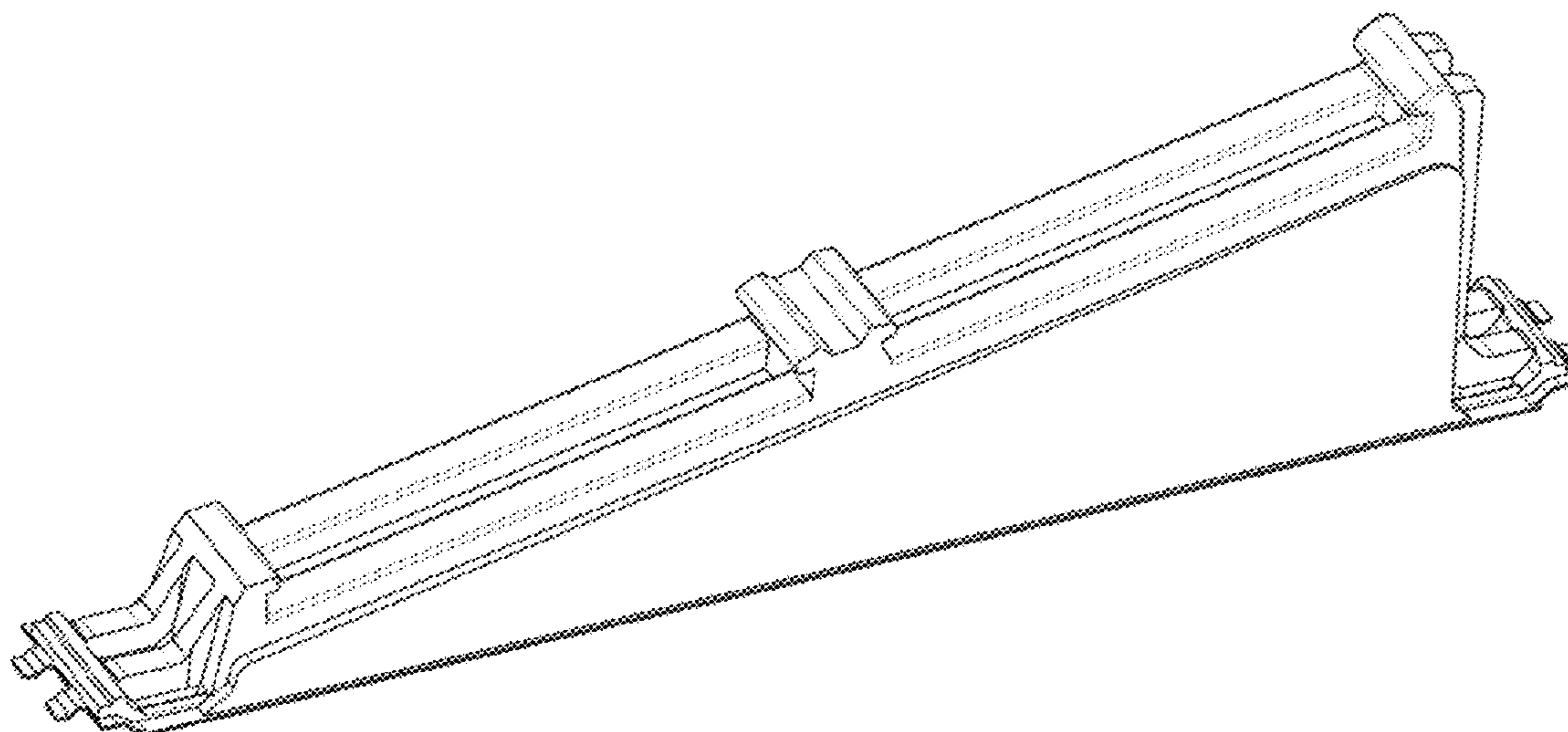
1.2 : Right

1.3 : Top

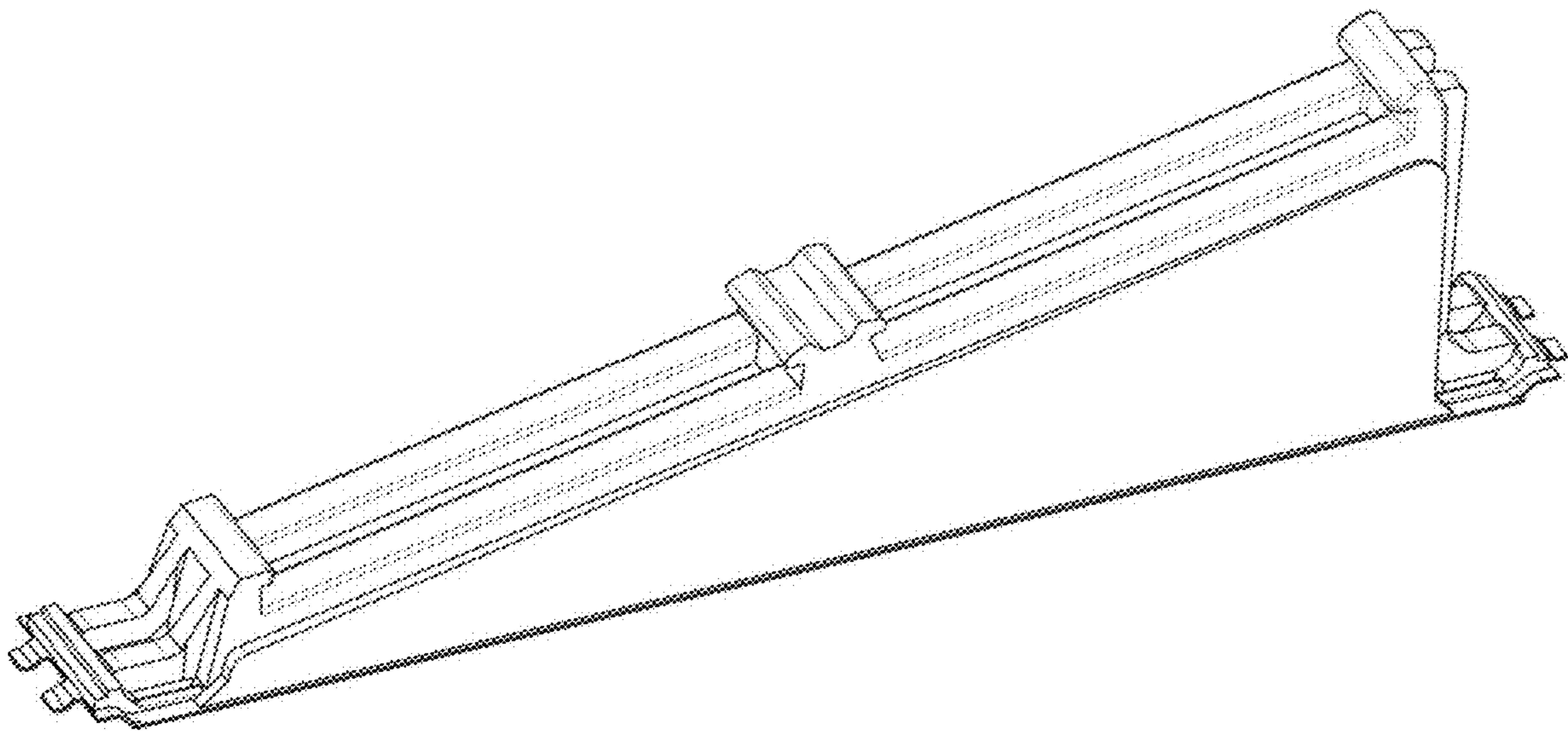
1.4 : Back

1.5 : Front

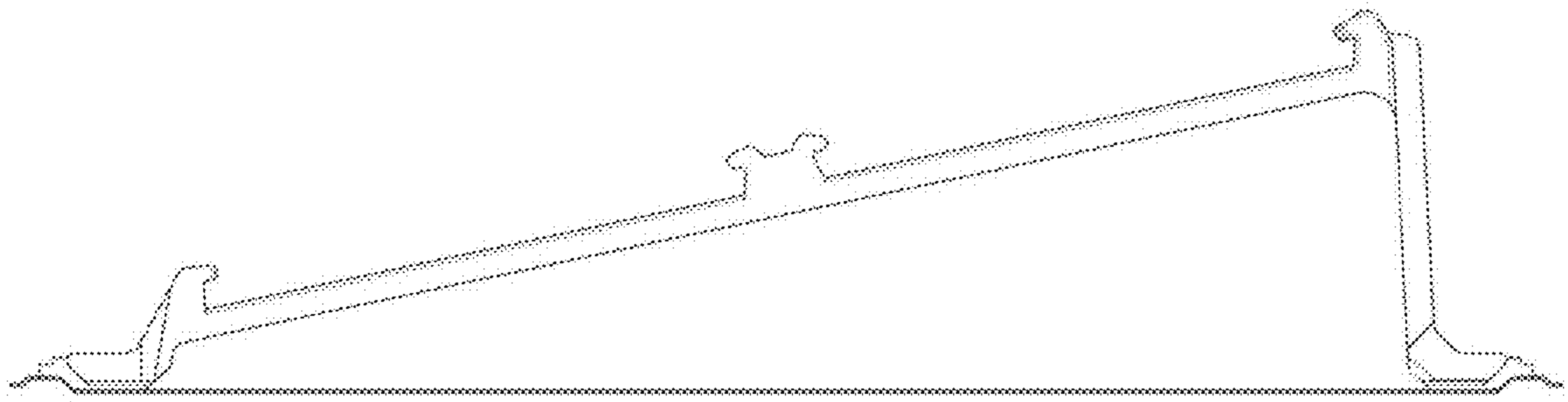
1 Claim, 5 Drawing Sheets



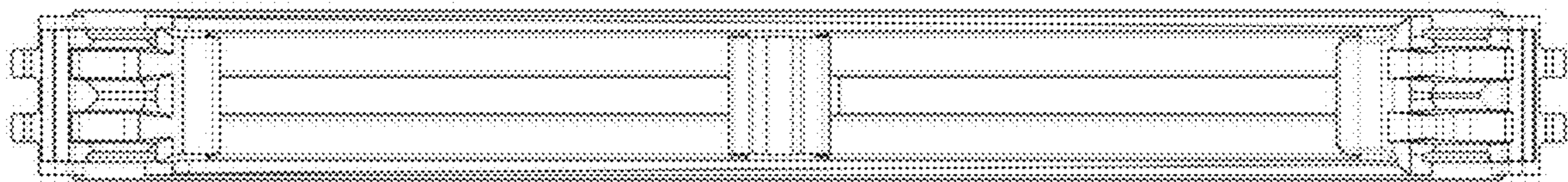
1.1



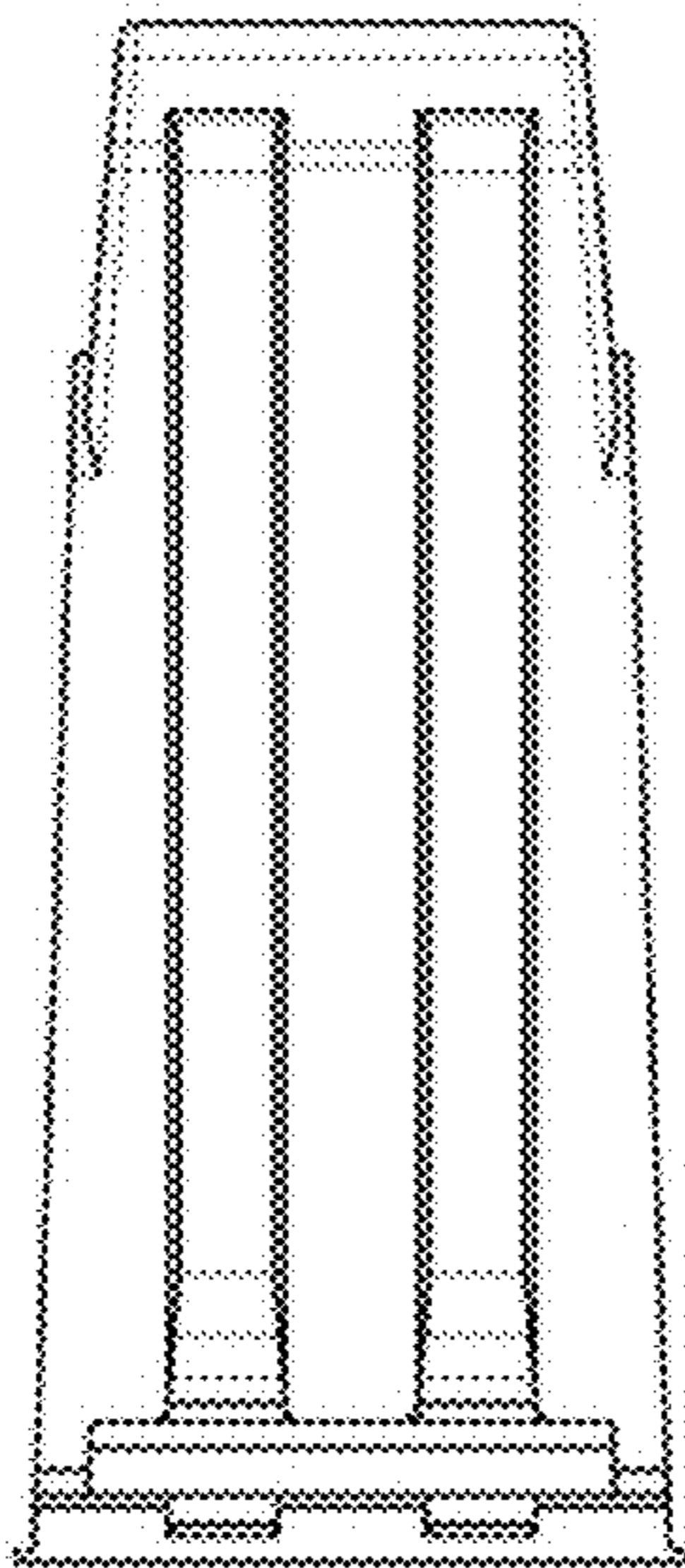
1.2



1.3



1.4



1.5

