



US00D800055S

(12) **United States Design Patent**  
**Rothschild**

(10) **Patent No.:** **US D800,055 S**

(45) **Date of Patent:** **\*\* Oct. 17, 2017**

- (54) **SOLAR PANEL ATTACHMENT BASE**
- (71) Applicant: **Elie Rothschild**, San Francisco, CA  
(US)
- (72) Inventor: **Elie Rothschild**, San Francisco, CA  
(US)
- (\*\*) Term: **15 Years**
- (21) Appl. No.: **29/529,960**
- (22) Filed: **Jun. 11, 2015**
- (51) **LOC (10) Cl.** ..... **13-02**
- (52) **U.S. Cl.**  
USPC ..... **D13/102**
- (58) **Field of Classification Search**  
USPC ..... D13/102, 101, 103, 118, 119, 184, 199;  
126/561, 667; 136/206, 244, 251, 291,  
136/292; 438/597  
CPC ..... Y02E 10/47; Y02E 10/50; Y02E 10/52;  
H02S 20/00; F24J 2/5237  
See application file for complete search history.

D723,455 S *	3/2015	Luconi .....	D13/102
D746,768 S *	1/2016	Laitila .....	D13/102
2012/0031469 A1 *	2/2012	Loois .....	F24J 2/465 136/251
2012/0091297 A1 *	4/2012	Rees .....	F24J 2/5237 248/126
2012/0223032 A1 *	9/2012	Rothschild .....	F24J 2/5237 211/41.1
2013/0056485 A1 *	3/2013	Burns .....	H01L 21/67373 220/810
2013/0220403 A1 *	8/2013	Rizzo .....	F16B 7/0446 136/251
2014/0224165 A1 *	8/2014	Veloso .....	F24J 2/5237 114/267
2015/0280637 A1 *	10/2015	Rothschild .....	F24J 2/5237 136/251

(Continued)

*Primary Examiner* — Derrick Holland  
*Assistant Examiner* — Jennifer O King  
 (74) *Attorney, Agent, or Firm* — Mark David Torche;  
 Patwrite LLC

(57) **CLAIM**

The ornamental design for a solar panel attachment base, substantially as shown and described.

**DESCRIPTION**

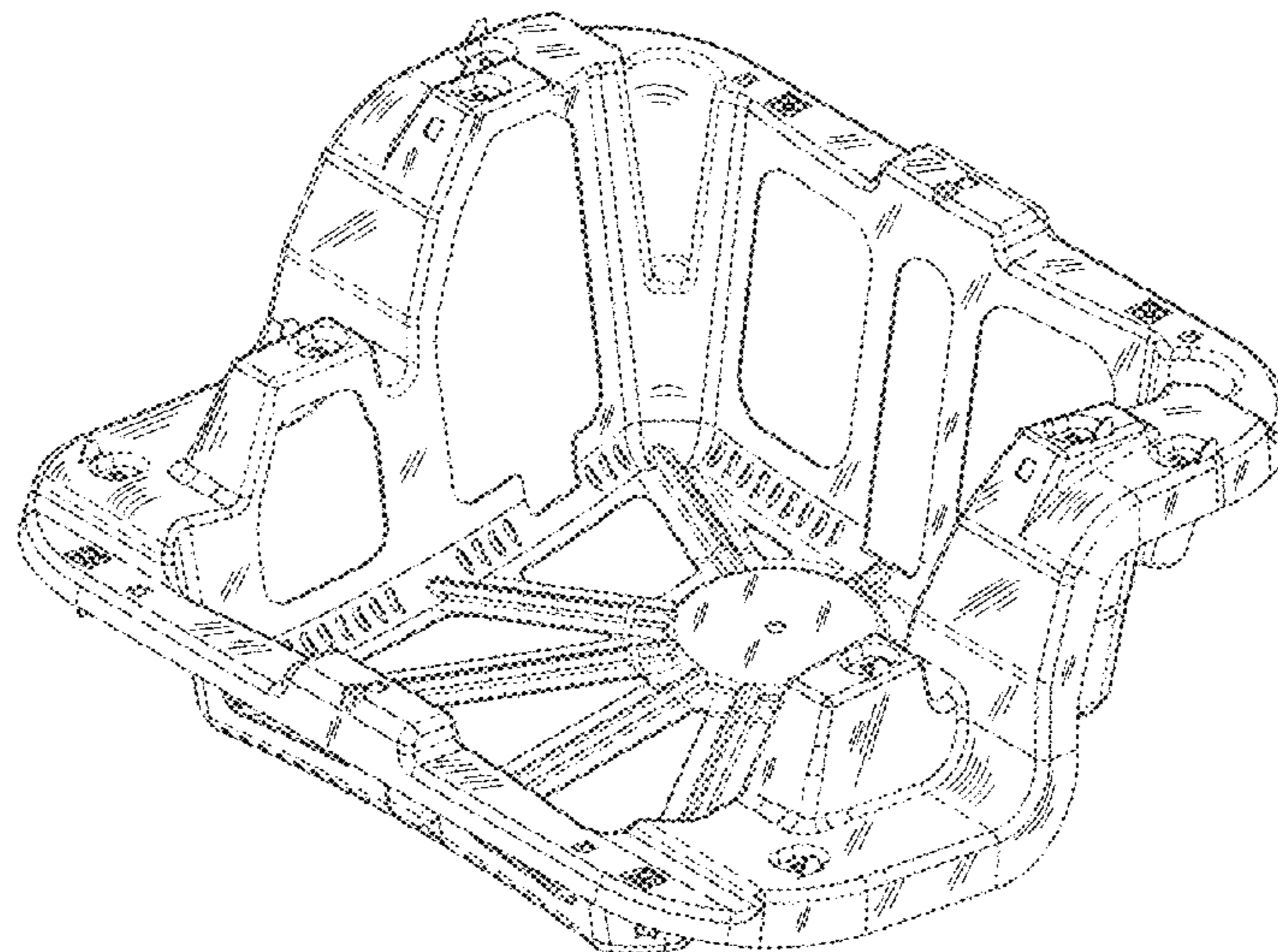
FIG. 1 is a perspective drawing of a solar panel attachment base of the present invention.  
 FIG. 2 is a side view of the solar panel attachment base shown in FIG. 1.  
 FIG. 3 is a front view of the solar panel attachment base shown in FIG. 1.  
 FIG. 4 is a top view of the solar panel attachment base shown in FIG. 1; and,  
 FIG. 5 is a bottom view of the solar panel attachment base shown in FIG. 1.  
 The broken lines shown represent unclaimed subject matter and form no part of the claimed design.

**1 Claim, 3 Drawing Sheets**

(56) **References Cited**

U.S. PATENT DOCUMENTS

6,105,316 A *	8/2000	Bottger .....	F24J 2/5237 126/623
7,658,356 B1 *	2/2010	Nehls .....	F24J 2/5205 248/237
D653,201 S *	1/2012	Sillett .....	D13/102
D676,188 S *	2/2013	Villegas .....	D26/118
8,418,419 B1 *	4/2013	Aseere .....	F24J 2/5205 136/251
8,485,483 B2 *	7/2013	Rees .....	F24J 2/5237 248/237
D692,372 S	10/2013	Rothschild et al.	
D699,666 S *	2/2014	Moyal .....	D13/102
D708,123 S *	7/2014	Ilzhoefer .....	D13/102
D713,784 S *	9/2014	Wildes .....	D13/102
D718,228 S *	11/2014	Clarkson .....	D13/102
D718,704 S *	12/2014	Rizzo .....	D13/102



(56)

**References Cited**

U.S. PATENT DOCUMENTS

2016/0072426 A1 \* 3/2016 Babineau, Jr. .... H02S 20/23  
52/173.3

\* cited by examiner

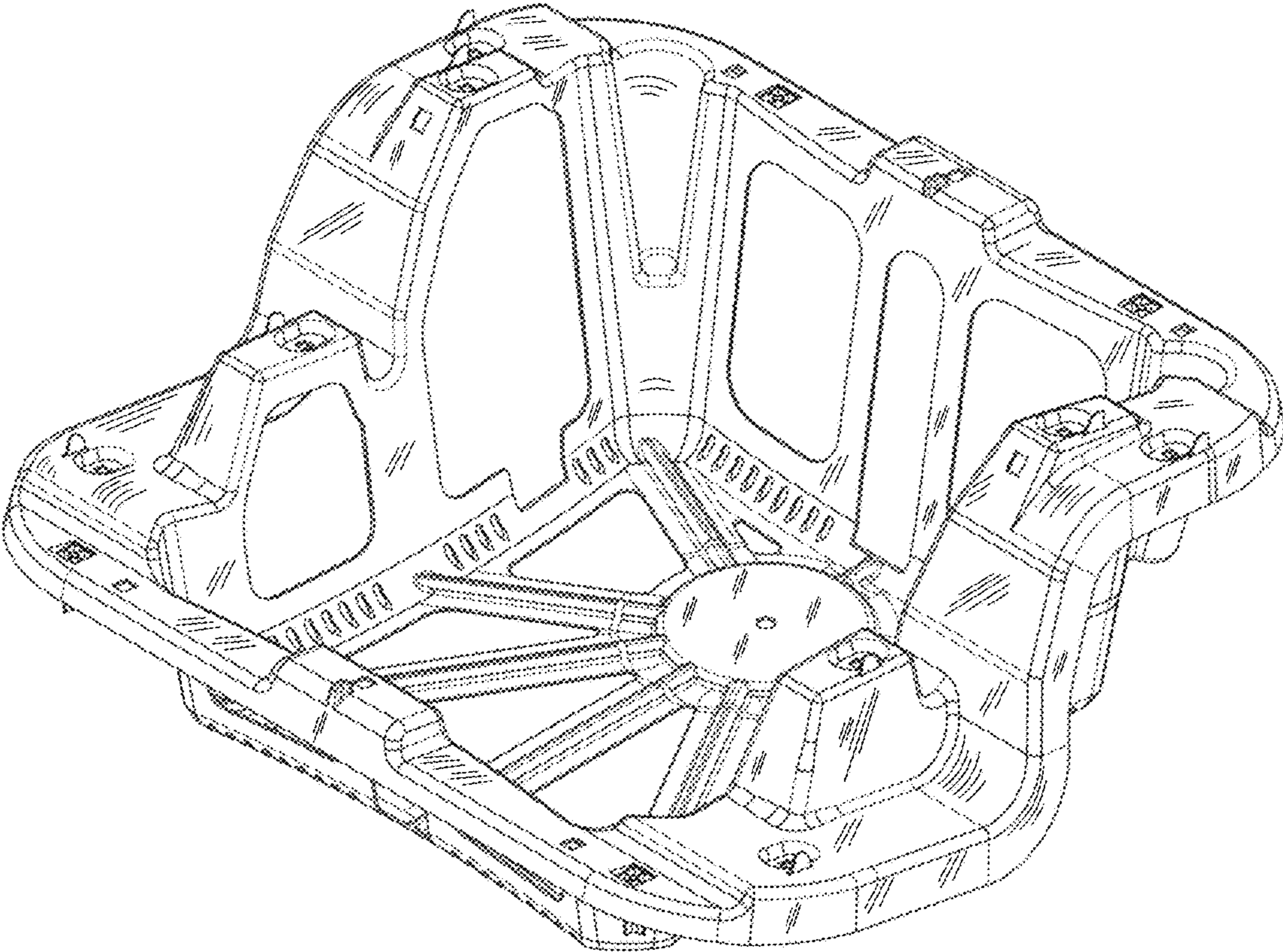


FIG. 1

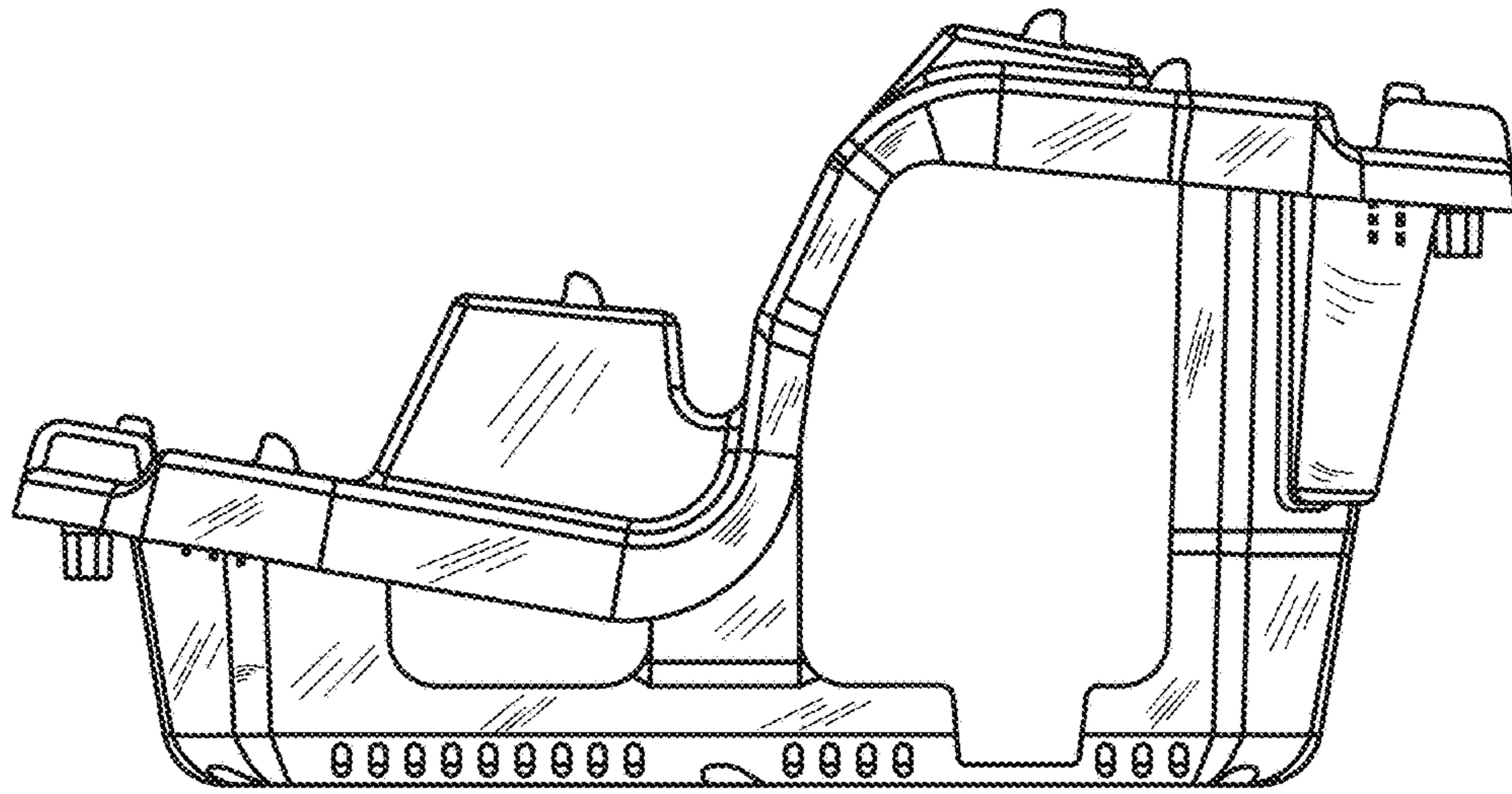


FIG. 2

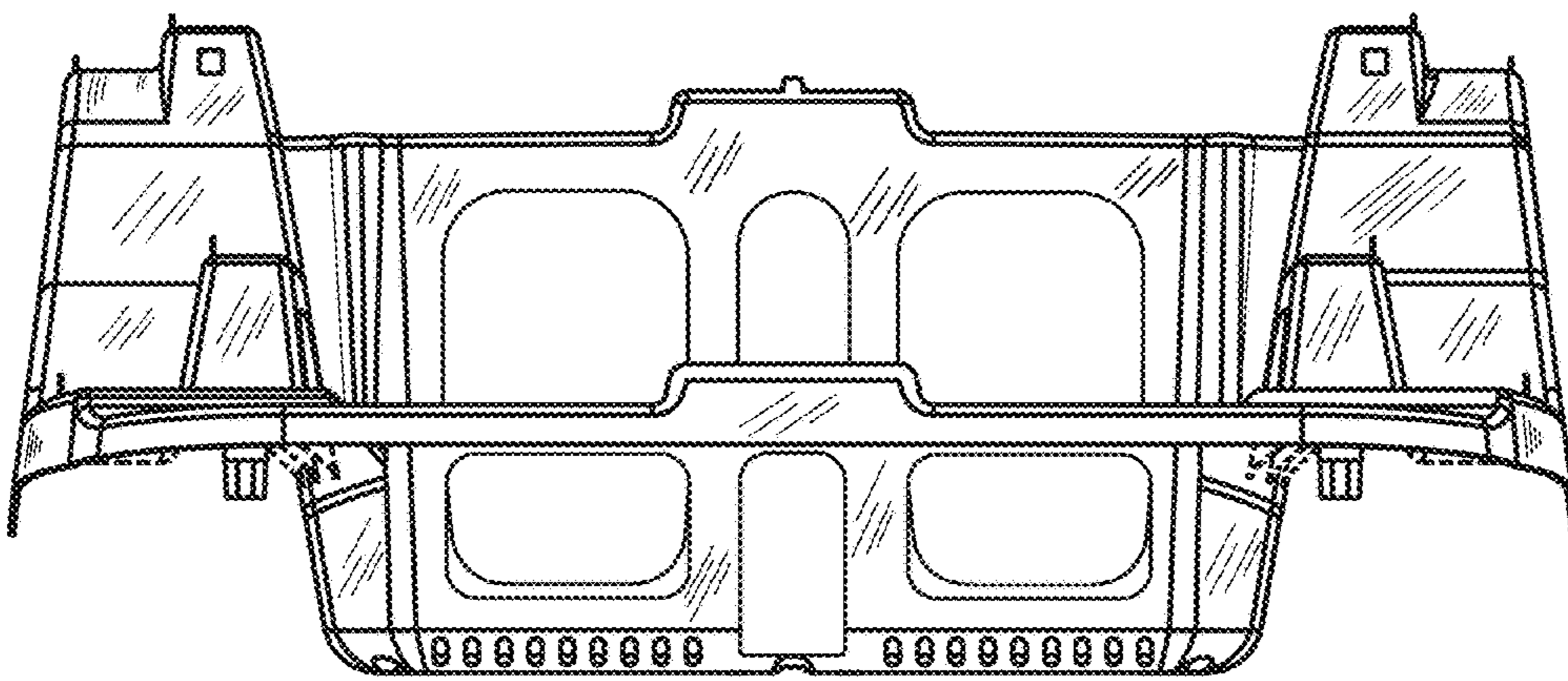


FIG. 3

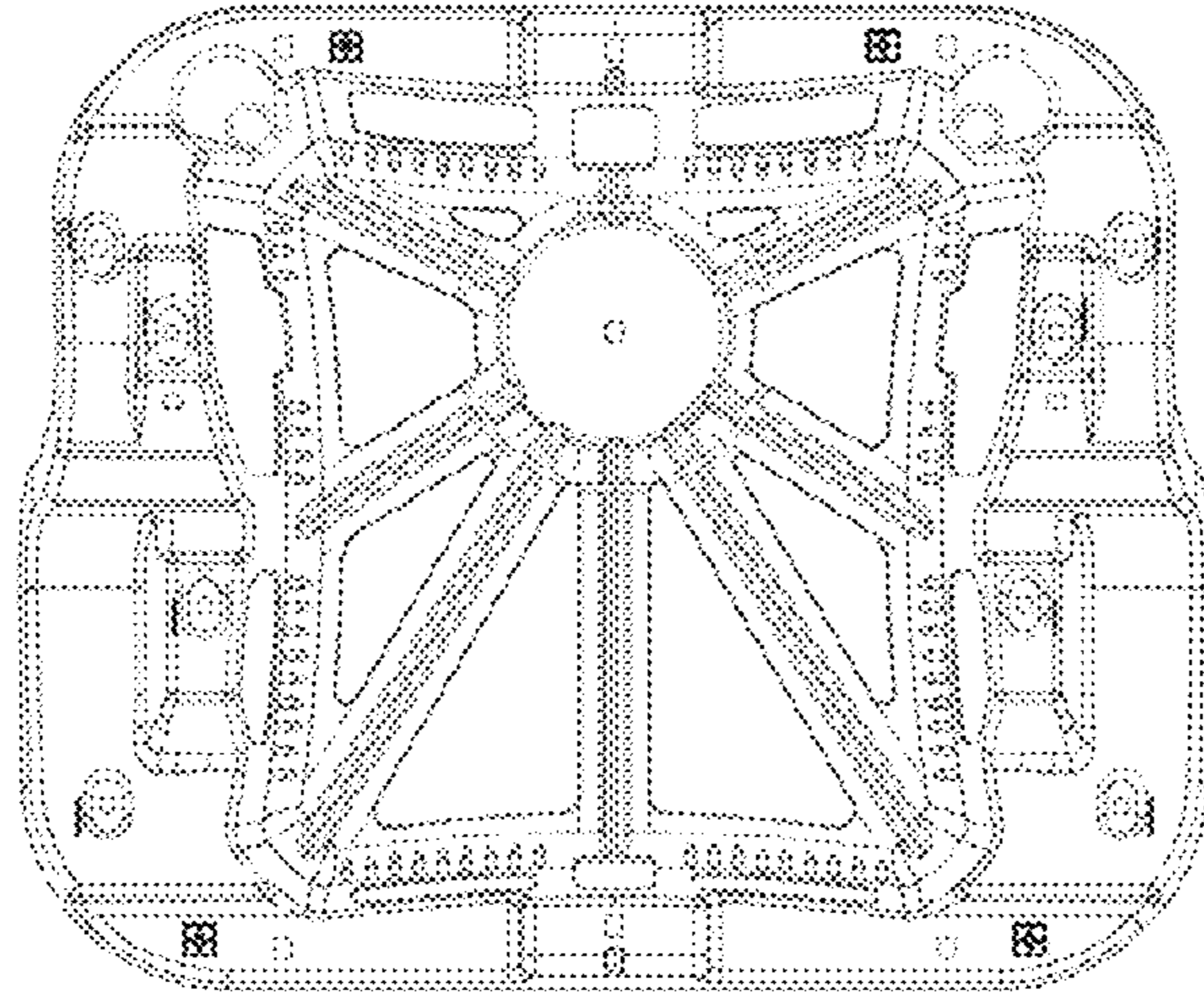


FIG. 4

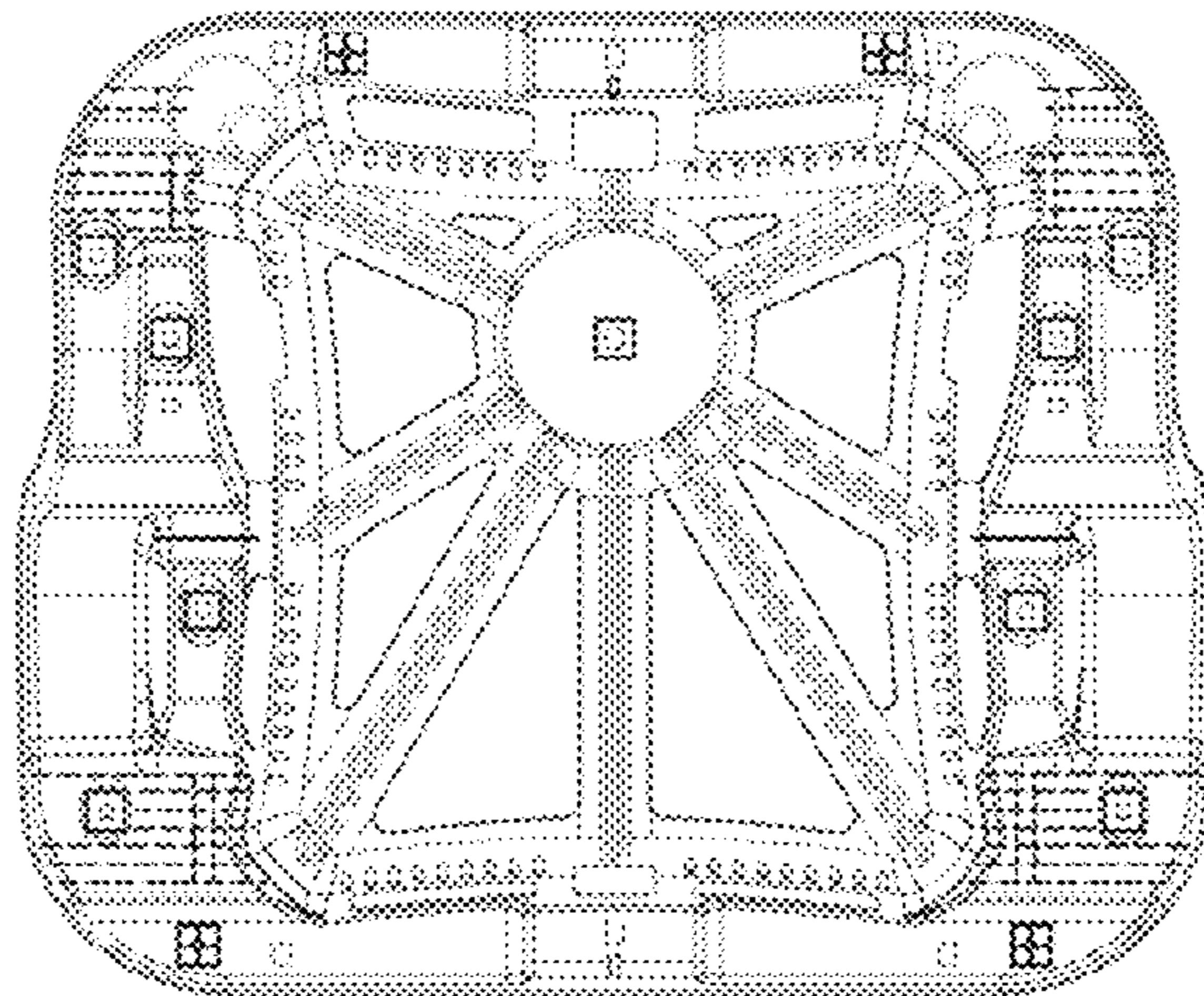


FIG. 5