



US00D800053S

(12) **United States Design Patent** (10) **Patent No.:** **US D800,053 S**
Yoon (45) **Date of Patent:** **** *Oct. 17, 2017**

(54) **TIRE STUD**
(71) Applicant: **HANKOOK TIRE CO., LTD.**, Seoul (KR)
(72) Inventor: **Sung Hee Yoon**, Seoul (KR)
(73) Assignee: **Hankook Tire Co., Ltd.**, Seoul (KR)
(*) Notice: This patent is subject to a terminal disclaimer.
(**) Term: **15 Years**
(21) Appl. No.: **29/535,760**

D584,979 S * 1/2009 Pirhonen D12/608
D608,233 S * 1/2010 Pirhonen D12/608
D609,127 S * 2/2010 Pirhonen D12/608
D706,709 S * 6/2014 Matsumoto D12/608
D708,567 S * 7/2014 Matsumoto D12/608
D774,449 S * 12/2016 Matsumoto D12/608
D775,585 S * 1/2017 Matsumoto D12/608
D775,586 S * 1/2017 Matsumoto D12/608
D776,047 S * 1/2017 Matsumoto D12/608
D776,048 S * 1/2017 Matsumoto D12/608
D777,097 S * 1/2017 Matsumoto D12/608
2012/0067480 A1 * 3/2012 Hietarinta-Salakari . B60C 11/16
152/210
2013/0000807 A1 * 1/2013 Pons B60C 11/1643
152/210

(22) Filed: **Aug. 10, 2015**
(30) **Foreign Application Priority Data**
Feb. 17, 2015 (KR) 30-2015-0008717
(51) **LOC (10) Cl.** **12-15**
(52) **U.S. Cl.**
USPC **D12/604**
(58) **Field of Classification Search**
USPC D12/605, 604, 606, 607, 608, 400, 500,
D12/501, 544, 579
CPC ... B60C 27/08; B60C 27/086; B60C 27/0223;
B60C 11/1675; B60C 11/14
See application file for complete search history.

* cited by examiner

Primary Examiner — George D. Kirschbaum
Assistant Examiner — Clese Moore, Jr.
(74) *Attorney, Agent, or Firm* — Hamre, Schumann,
Mueller & Larson, P.C.

(57) **CLAIM**

The ornamental design for a tire stud, as shown and described.

DESCRIPTION

FIG. 1 is a perspective view of a tire stud showing my new design;
FIG. 2 is a front elevational view thereof;
FIG. 3 is a rear elevational view thereof;
FIG. 4 is a left side view thereof;
FIG. 5 is a right side view thereof;
FIG. 6 is a top plan view thereof; and,
FIG. 7 is a bottom plan view thereof.

(56) **References Cited**
U.S. PATENT DOCUMENTS
D431,215 S * 9/2000 Nyblom D12/608
D550,611 S * 9/2007 Liukkula D12/608
D551,614 S * 9/2007 Liukkula D12/608
D559,775 S * 1/2008 Liukkula D12/608

1 Claim, 3 Drawing Sheets

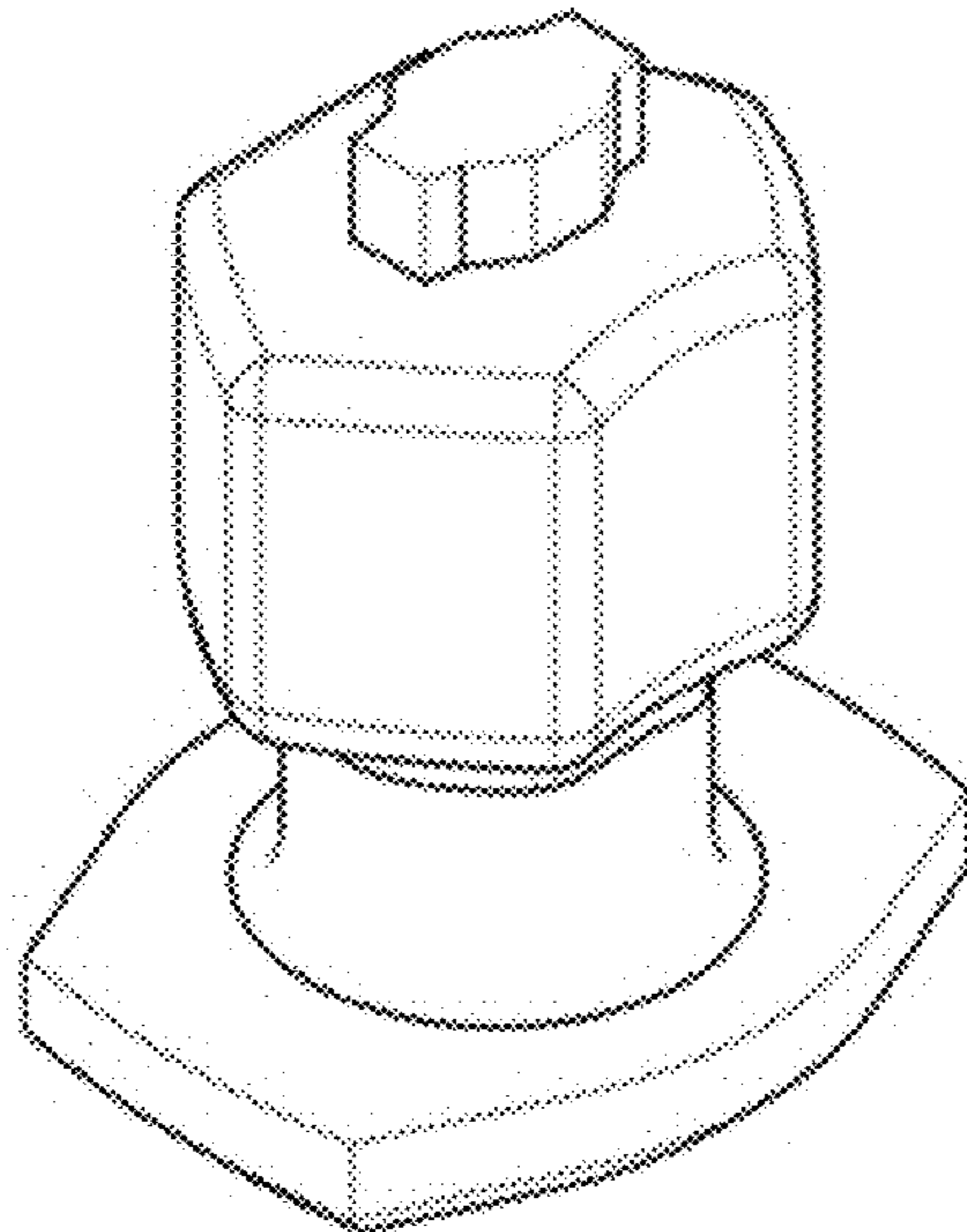


FIG. 1

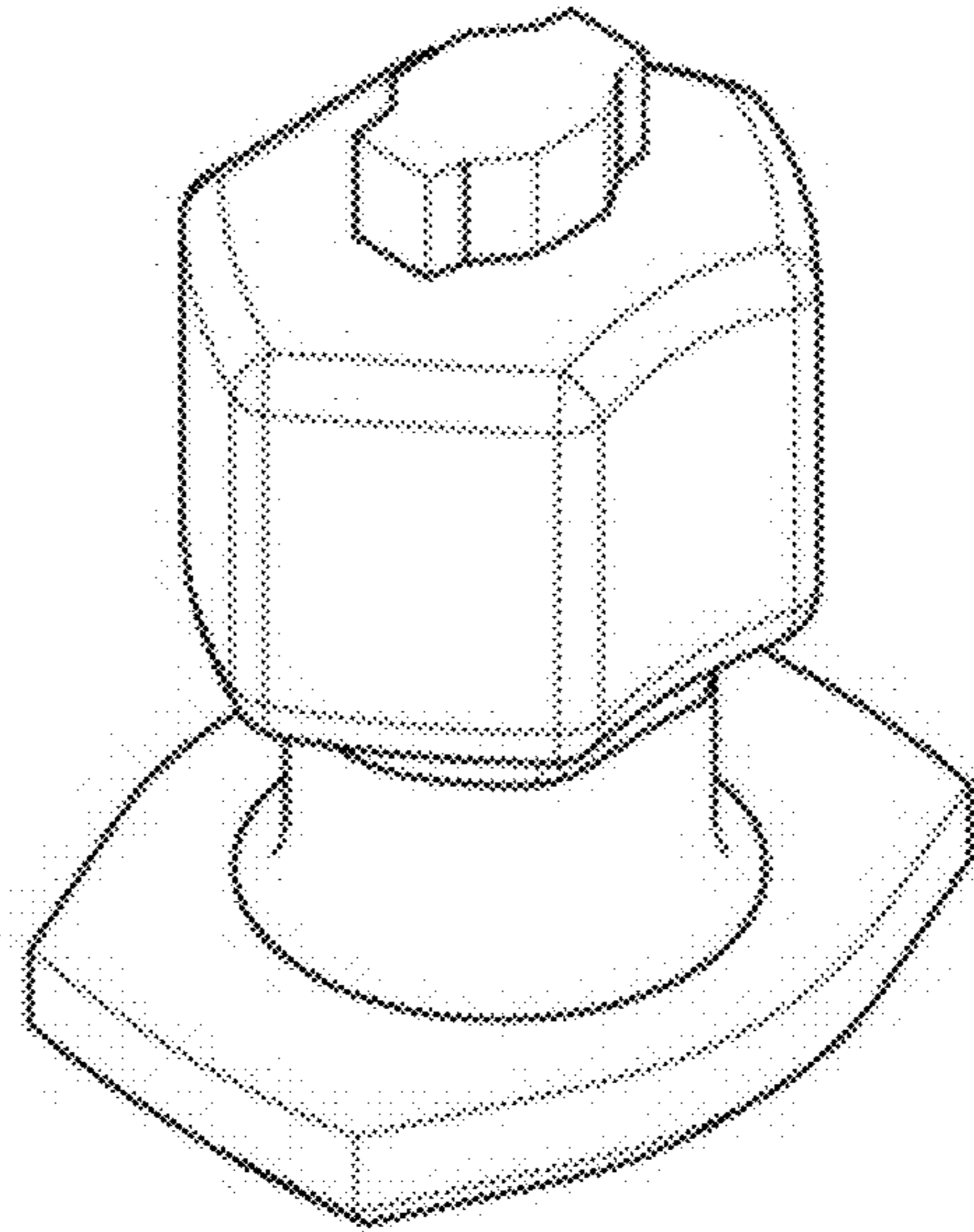


FIG. 2

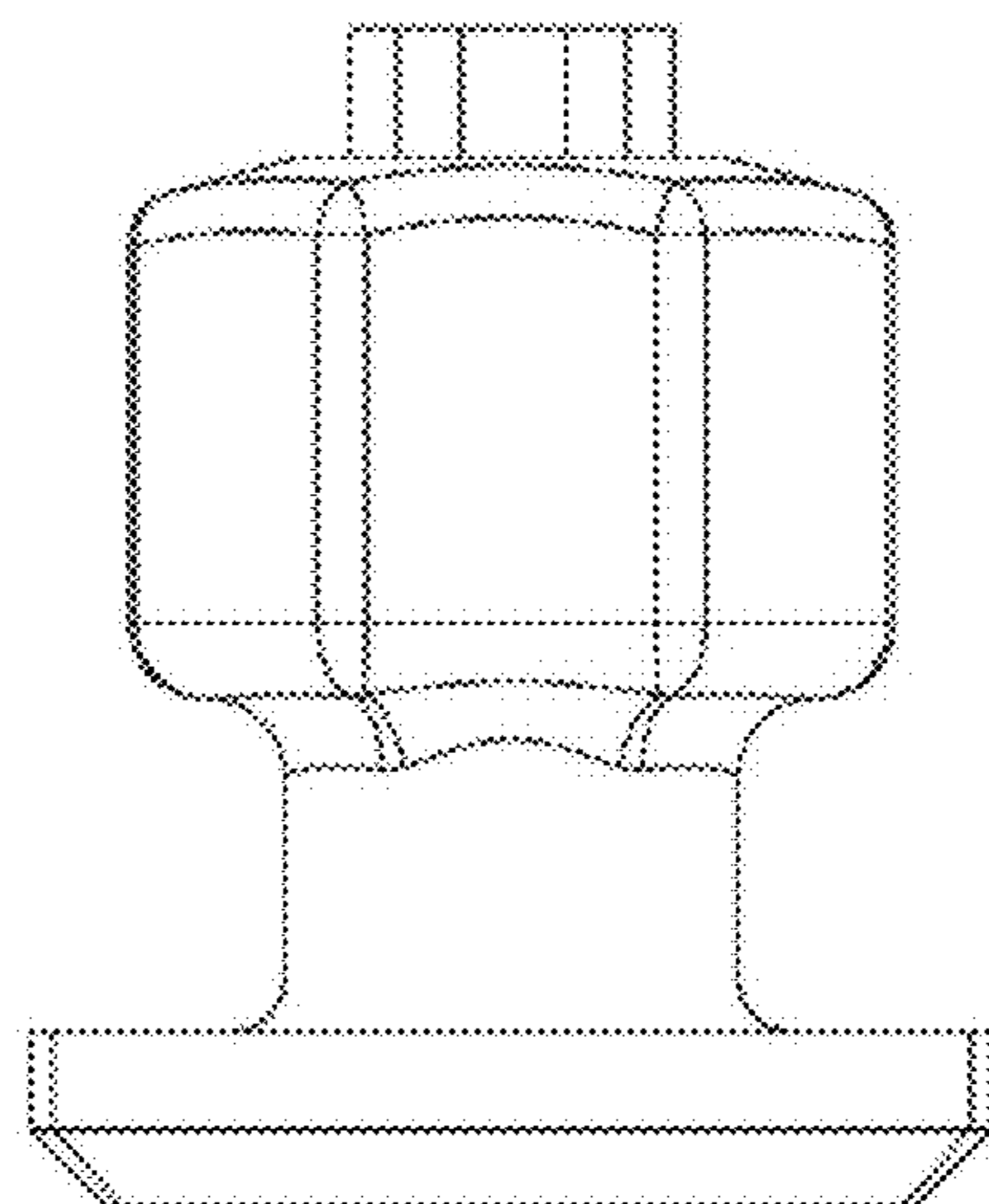


FIG. 3

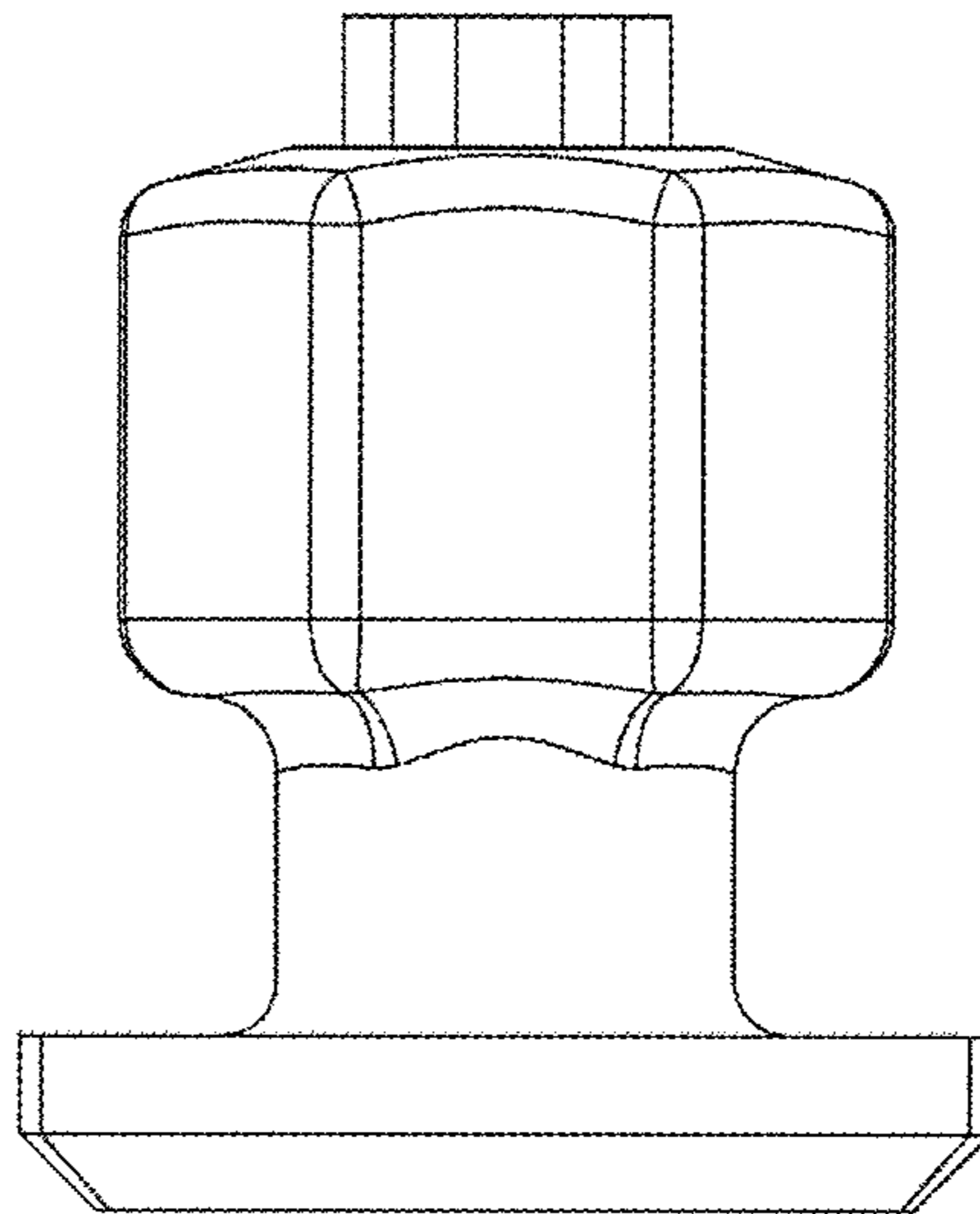


FIG. 4

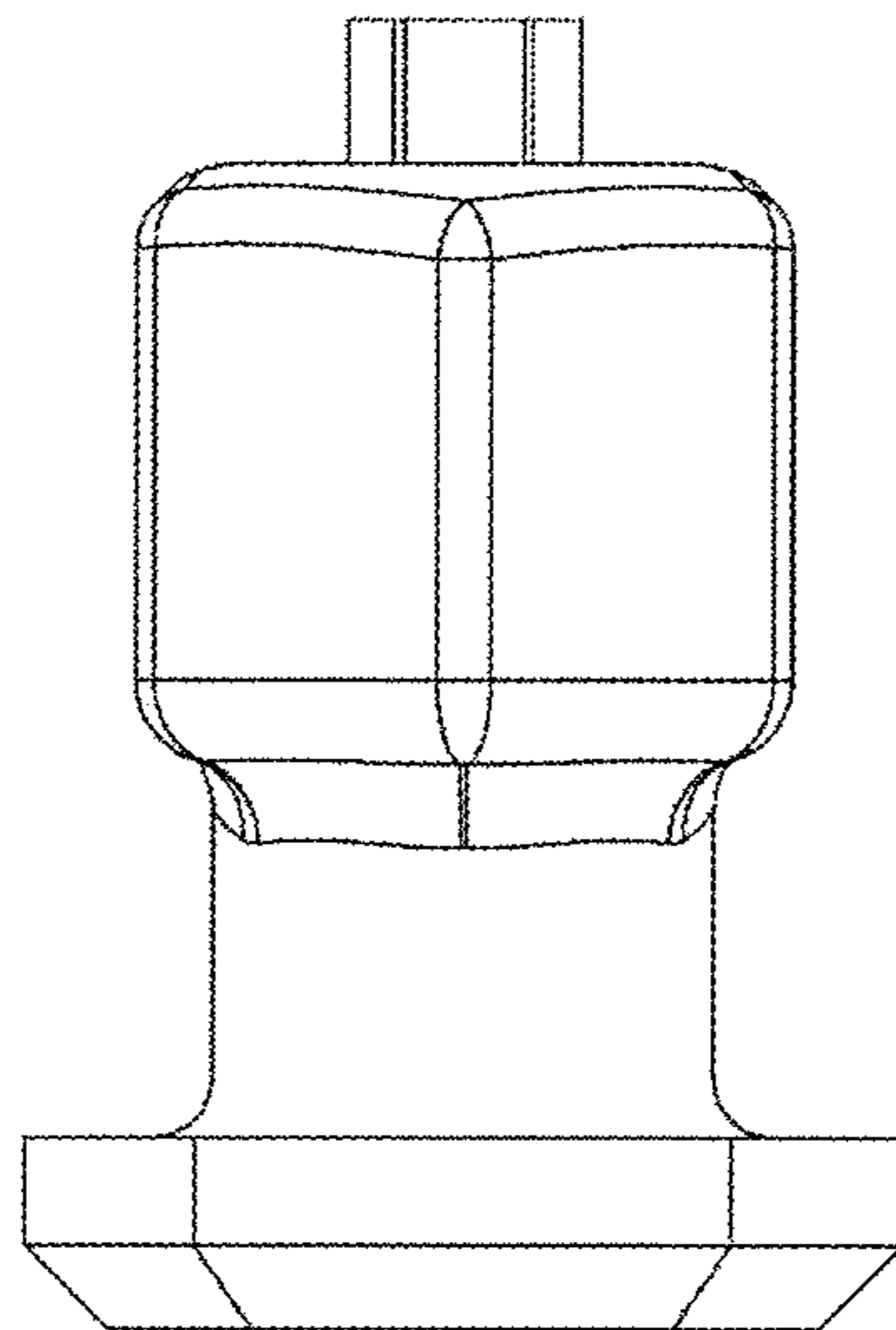


FIG. 5

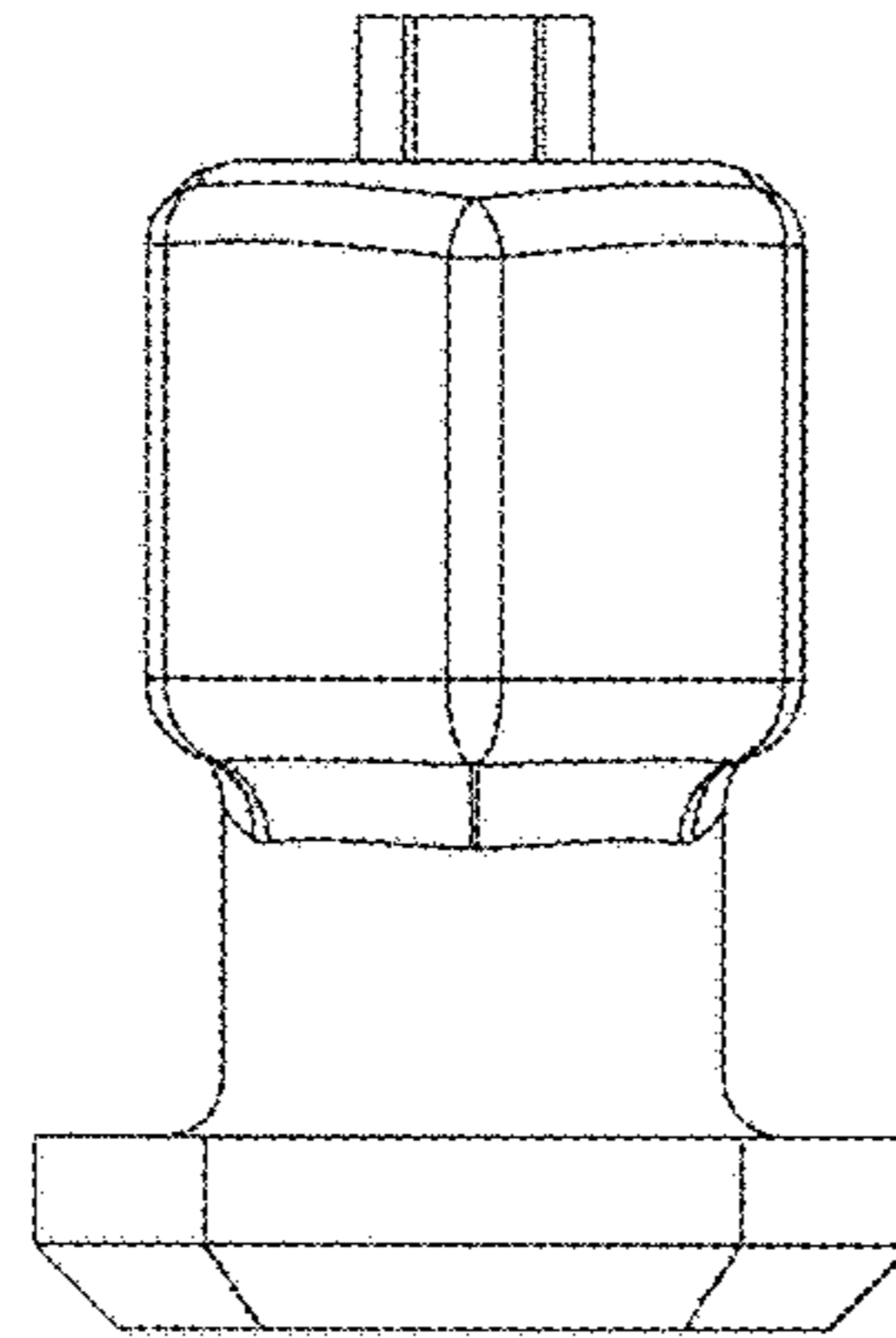


FIG. 6

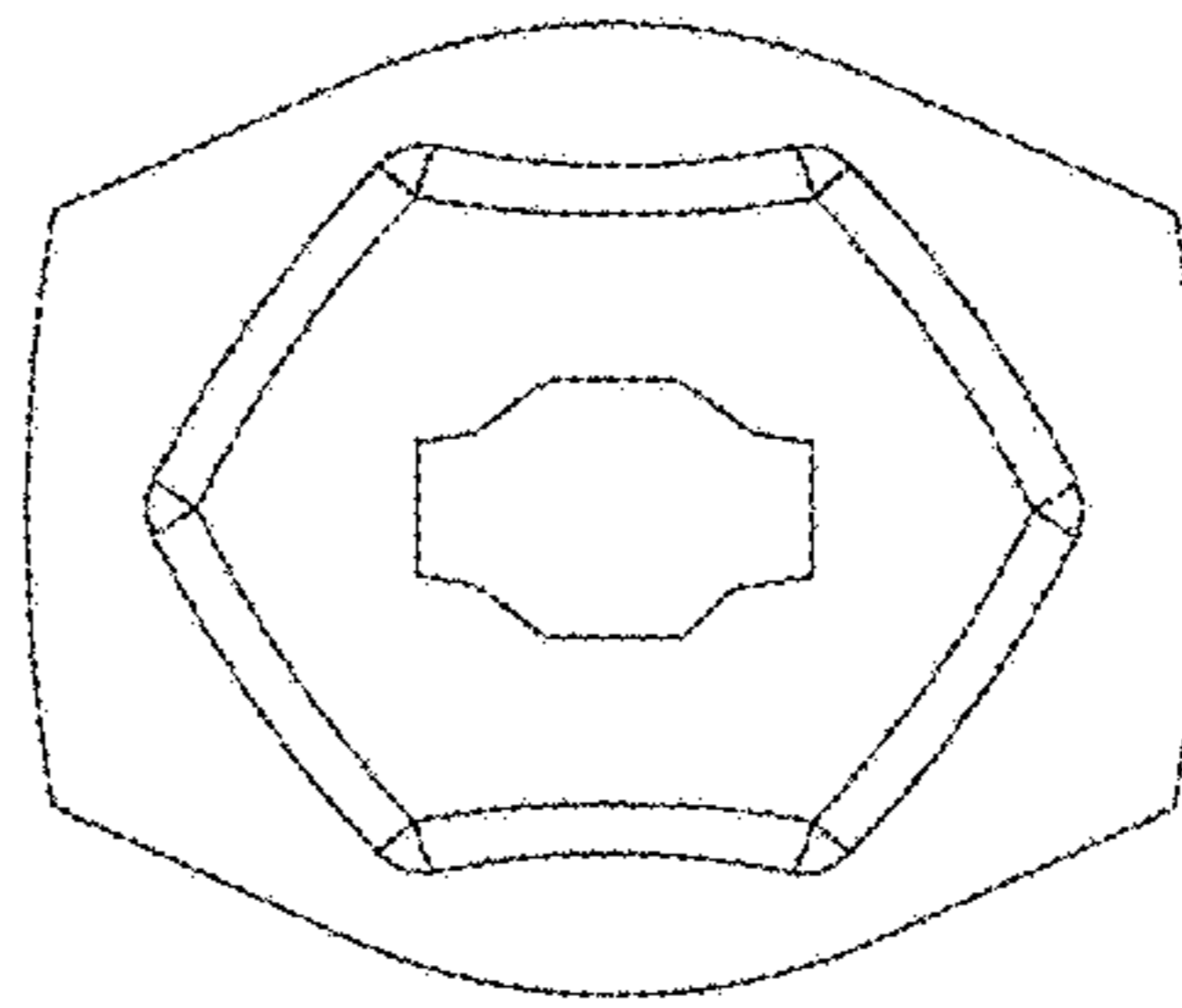


FIG. 7

