



US00D800050S

(12) **United States Design Patent** (10) **Patent No.:** **US D800,050 S**
Mariti et al. (45) **Date of Patent:** **** Oct. 17, 2017**

(54) **TIRE TREAD**

(71) Applicant: **BRIDGESTONE CORPORATION**,
Tokyo (JP)

(72) Inventors: **Lorenzo Mariti**, Rome (IT); **Andrea Busato**, Rome (IT); **Simone Rando**, Rome (IT)

(73) Assignee: **BRIDGESTONE CORPORATION**,
Chuo-ku, Tokyo (JP)

(**) Term: **15 Years**

(21) Appl. No.: **29/558,936**

(22) Filed: **Mar. 23, 2016**

(30) **Foreign Application Priority Data**

Oct. 12, 2015 (EM) 002819656-0001

(51) **LOC (10) Cl.** **12-15**

(52) **U.S. Cl.**
USPC **D12/523; D12/521**

(58) **Field of Classification Search**
USPC 152/5, 151, 152.1, 167, 208,
152/209.1-209.28, 246, 450, 526, 527,
152/532, 535, 538, 541; D12/500-605,
D12/900-901
CPC B60C 11/00; B60C 2011/0337; B60C
2011/0339; B60C 2011/0386; B60C 3/00;
B60C 3/08; B60C 1/00; B60C 2200/00;
B60C 2200/02; B60C 2200/04; B60C
2200/06; B60C 2200/065; B60C 2200/08;
B60C 2200/10; B60C 2200/12; B60C
2200/14; B60C 7/00; B60C 7/02; B60C
7/04; B60C 7/06; B60C 7/08; B60C 5/00;
B60C 13/00

See application file for complete search history.

(56) **References Cited**

U.S. PATENT DOCUMENTS

D586,726 S *	2/2009	Baumard	D12/521
D609,627 S *	2/2010	Frappart	D12/523
D647,454 S *	10/2011	Fabing	D12/518
D677,215 S *	3/2013	Nakamura	D12/523
D686,137 S *	7/2013	Nakamura	D12/521
D717,231 S *	11/2014	Nakamura	D12/531
D743,873 S *	11/2015	Majerus	D12/517
D758,285 S *	6/2016	Wen	D12/523
D765,019 S *	8/2016	Chen	D12/523

* cited by examiner

Primary Examiner — Manpreet Matharu

Assistant Examiner — Keith Wilson

(74) *Attorney, Agent, or Firm* — Sughrue Mion, PLLC

(57) **CLAIM**

The ornamental design for a tire tread, as shown and described.

DESCRIPTION

FIG. 1 is a front perspective view of the tire tread according to our design;

FIG. 2 is front view thereof;

FIG. 3 is a rear view thereof;

FIG. 4 is a right side view thereof;

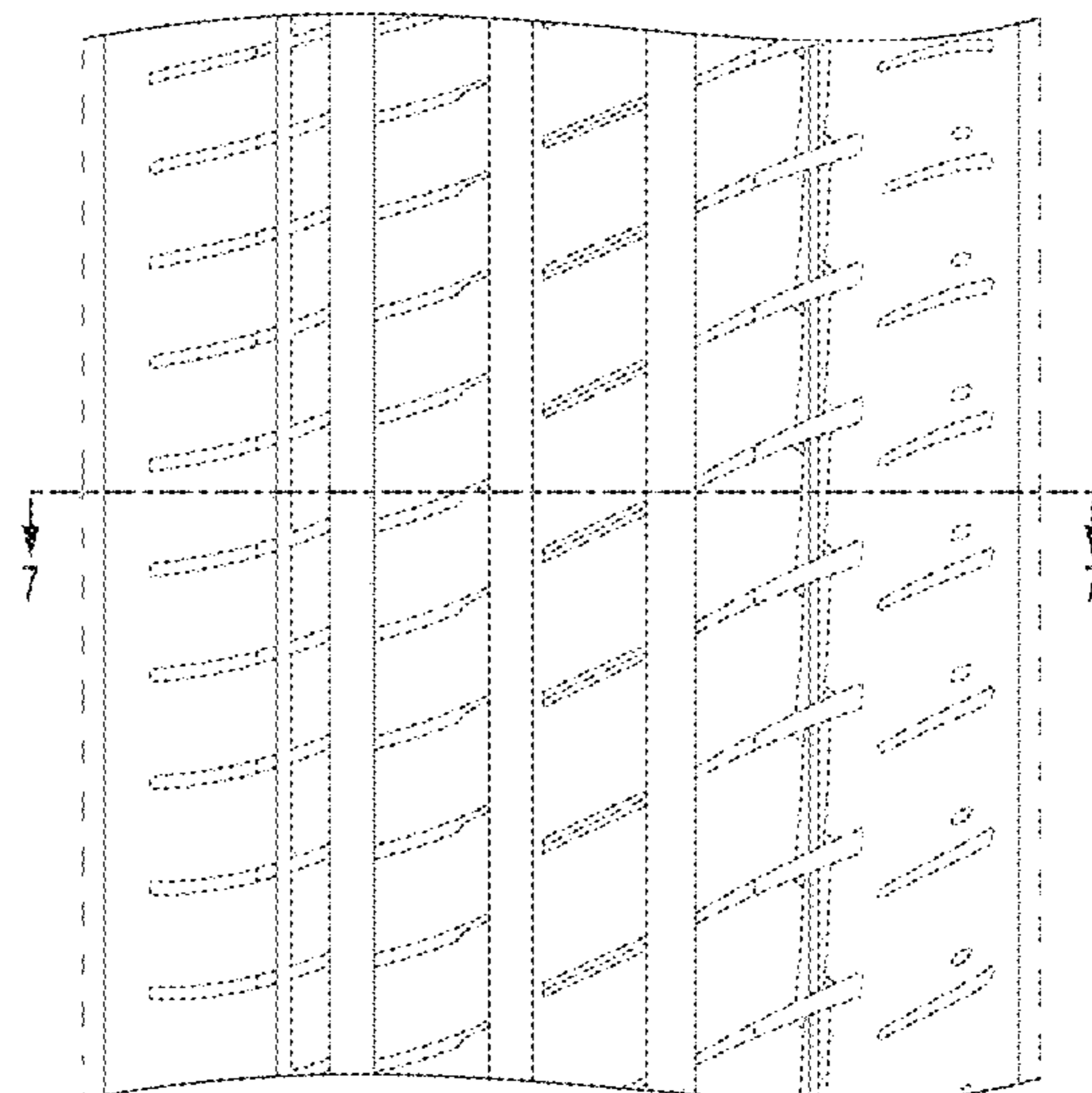
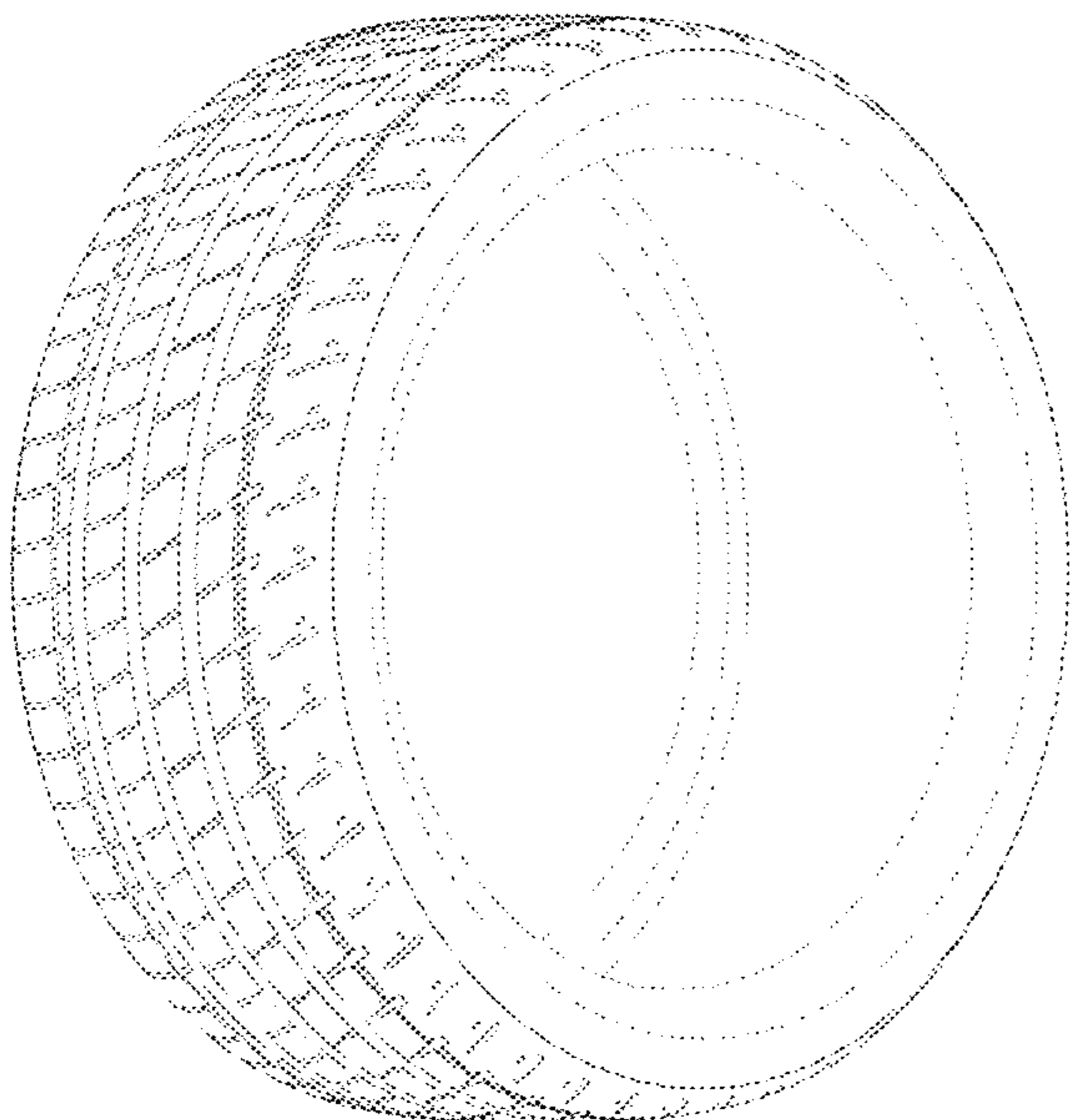
FIG. 5 is a left side view thereof;

FIG. 6 is an enlarged partial view thereof; and,

FIG. 7 is a cross-sectional view thereof taken along line 7-7 in FIG. 6.

The broken lines are used to show unclaimed portions of the tire, and thus form no part of the claimed design.

1 Claim, 7 Drawing Sheets



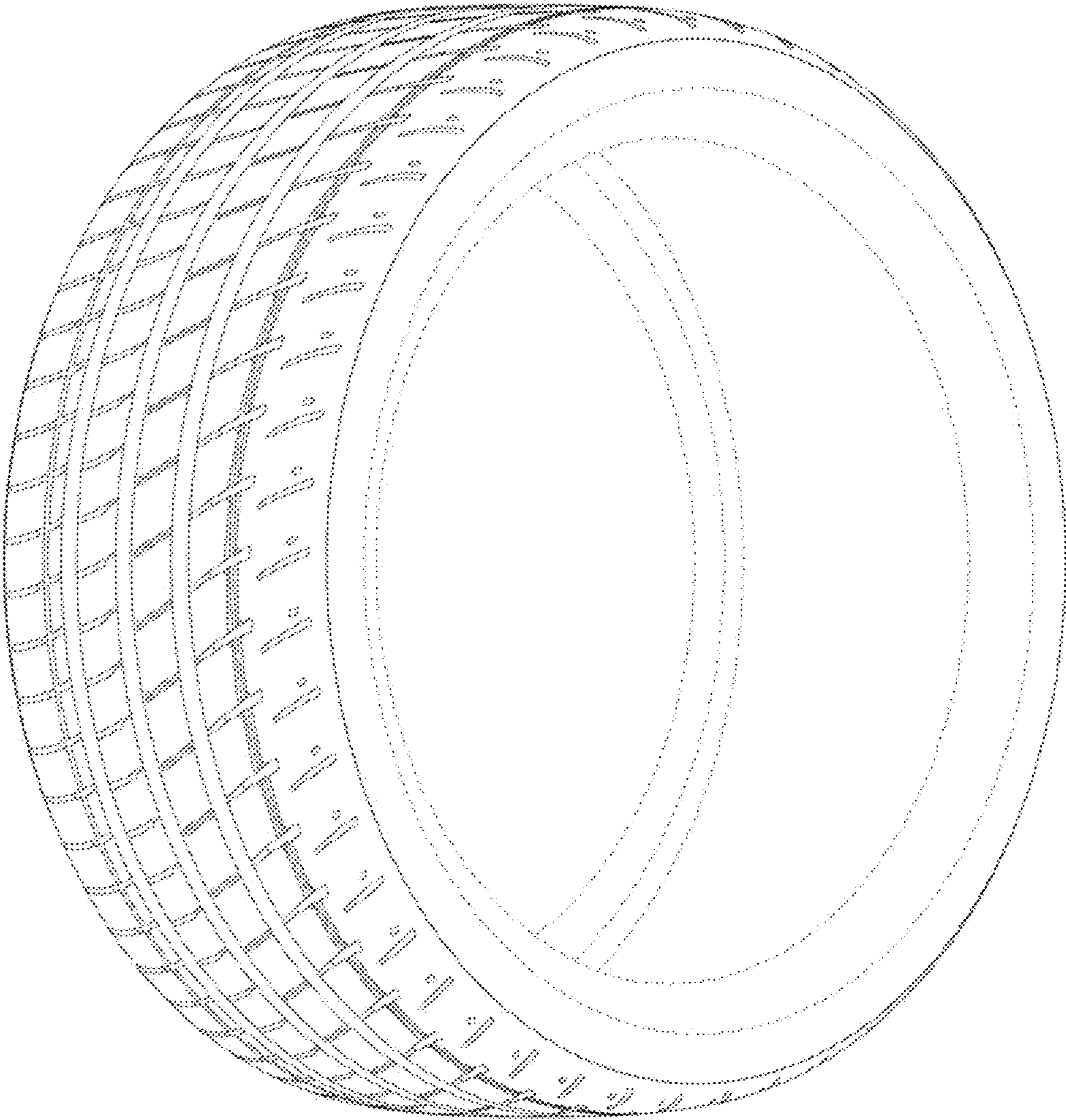


FIG. 1

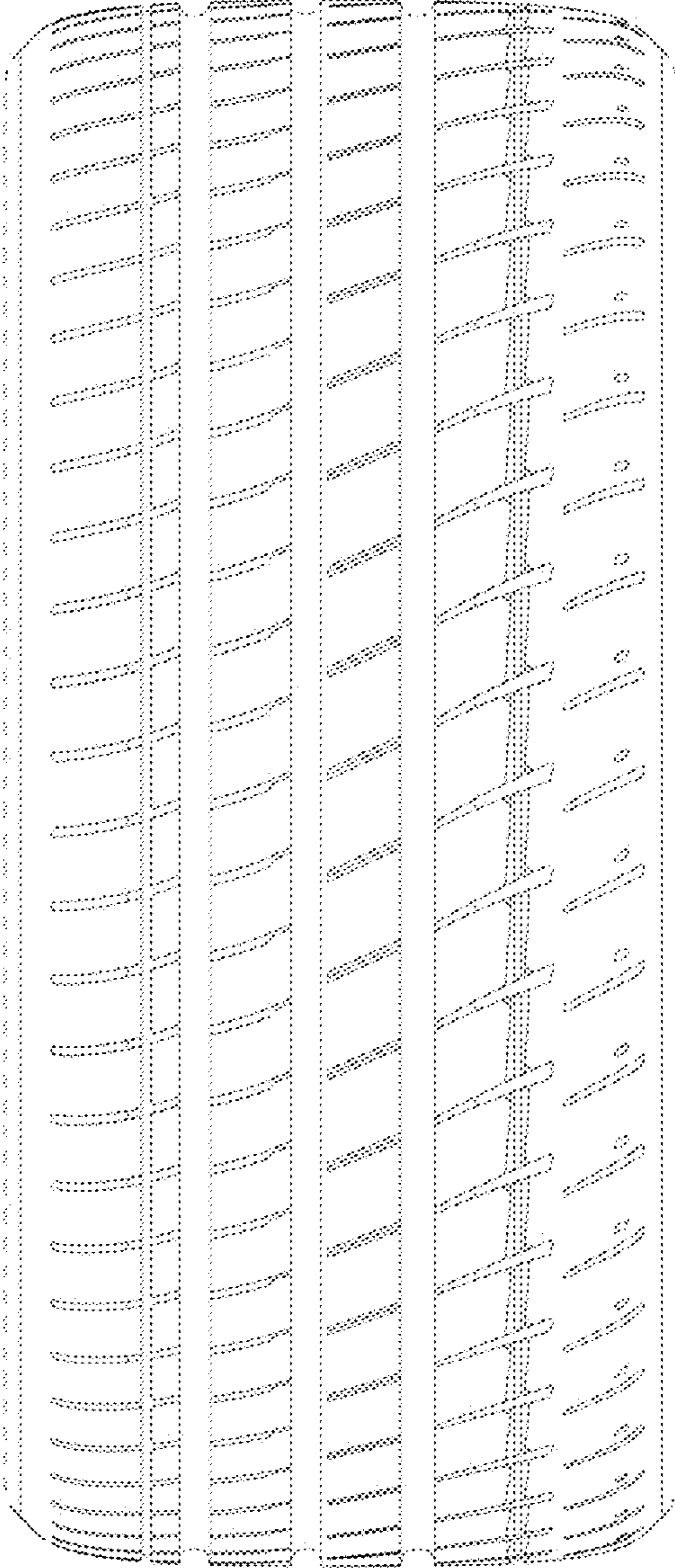


FIG. 2

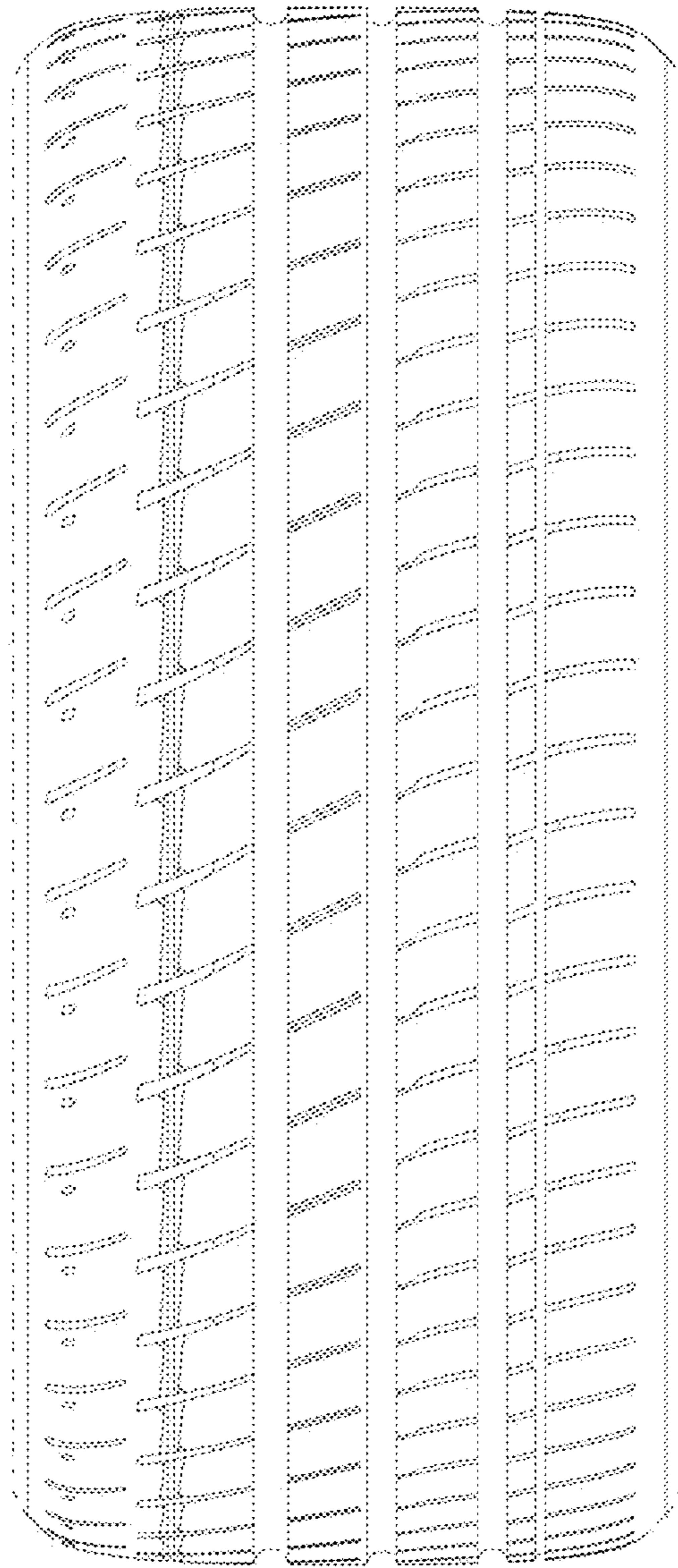


FIG. 3

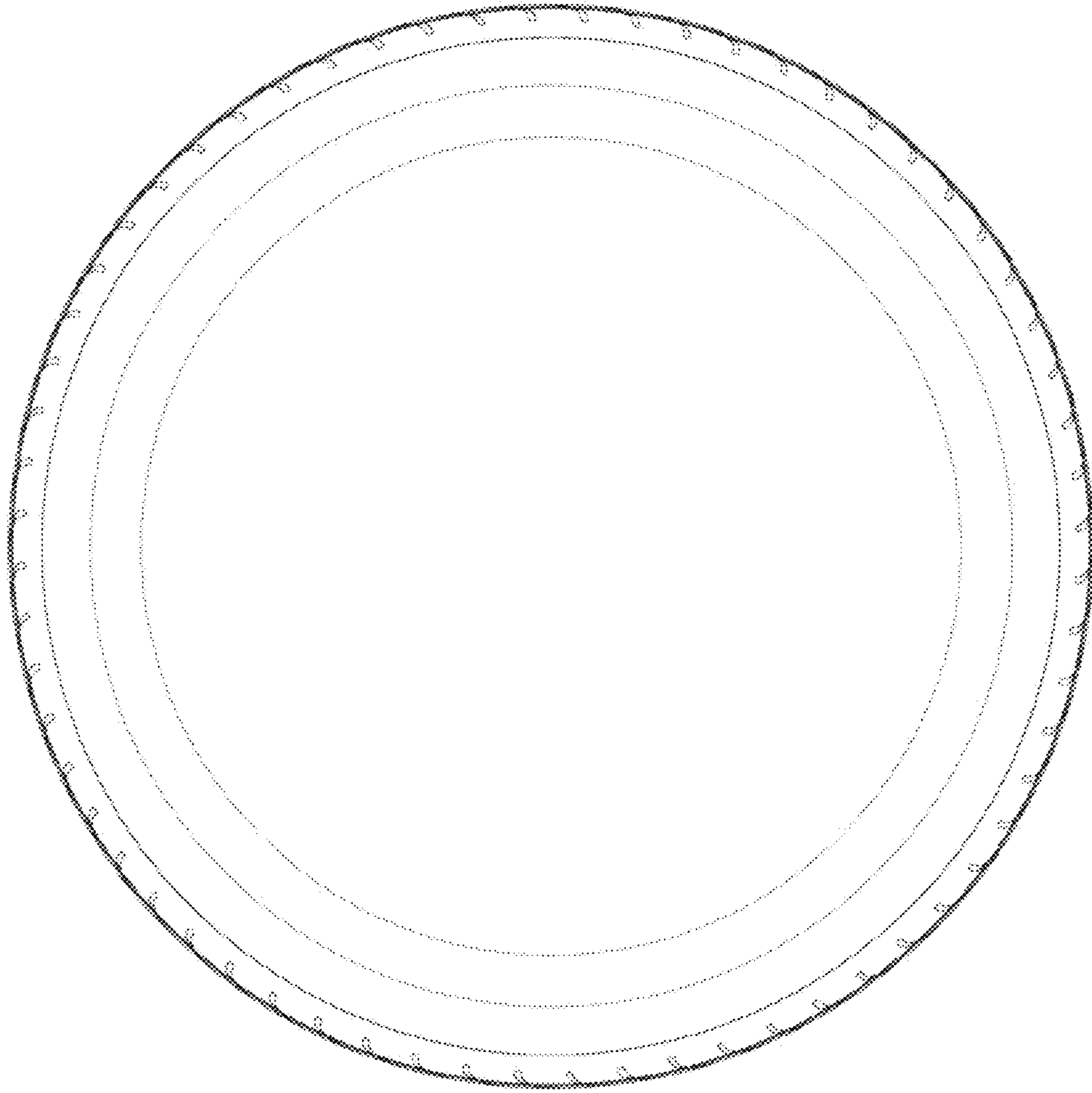


FIG. 4

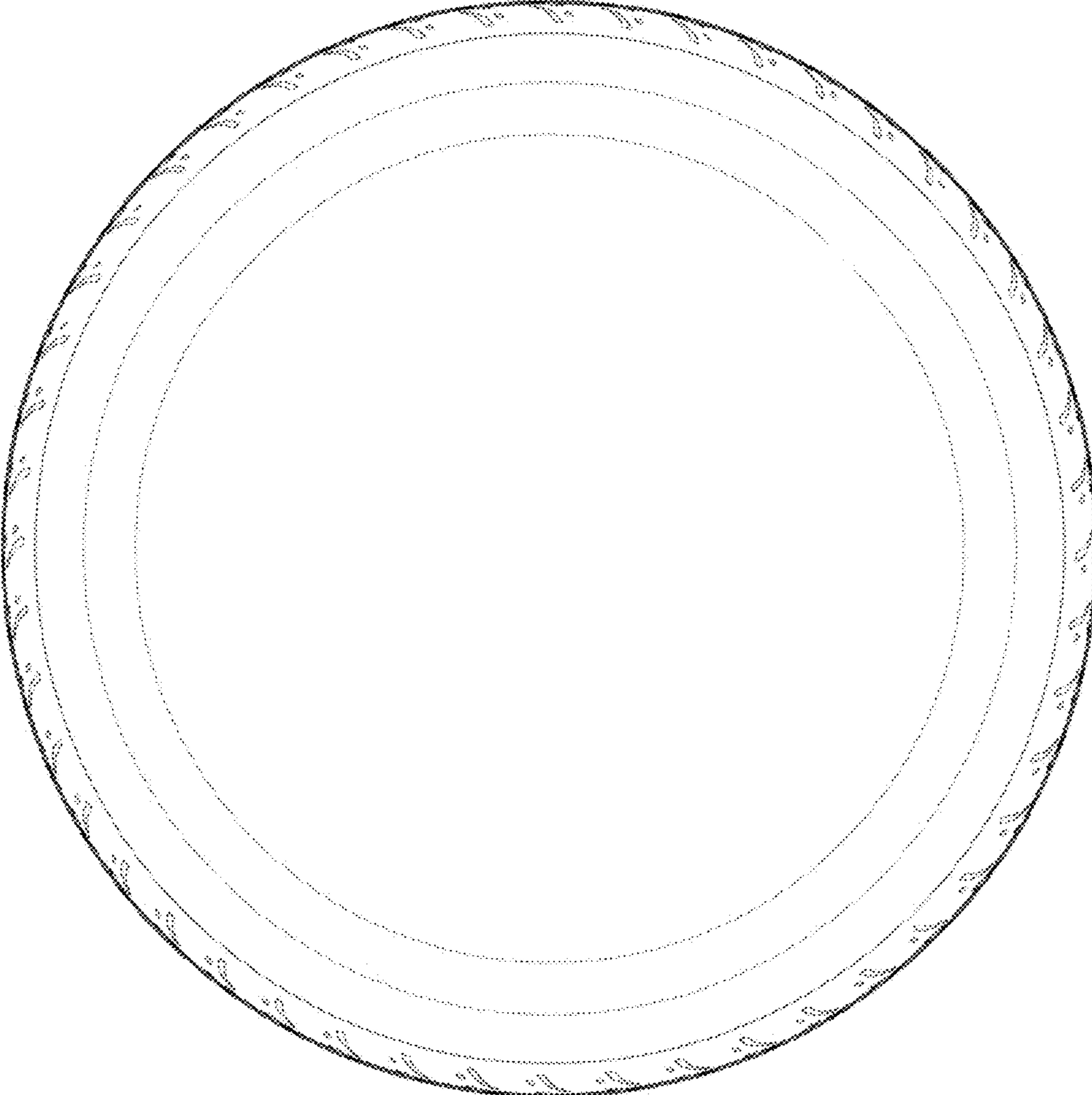


FIG. 5

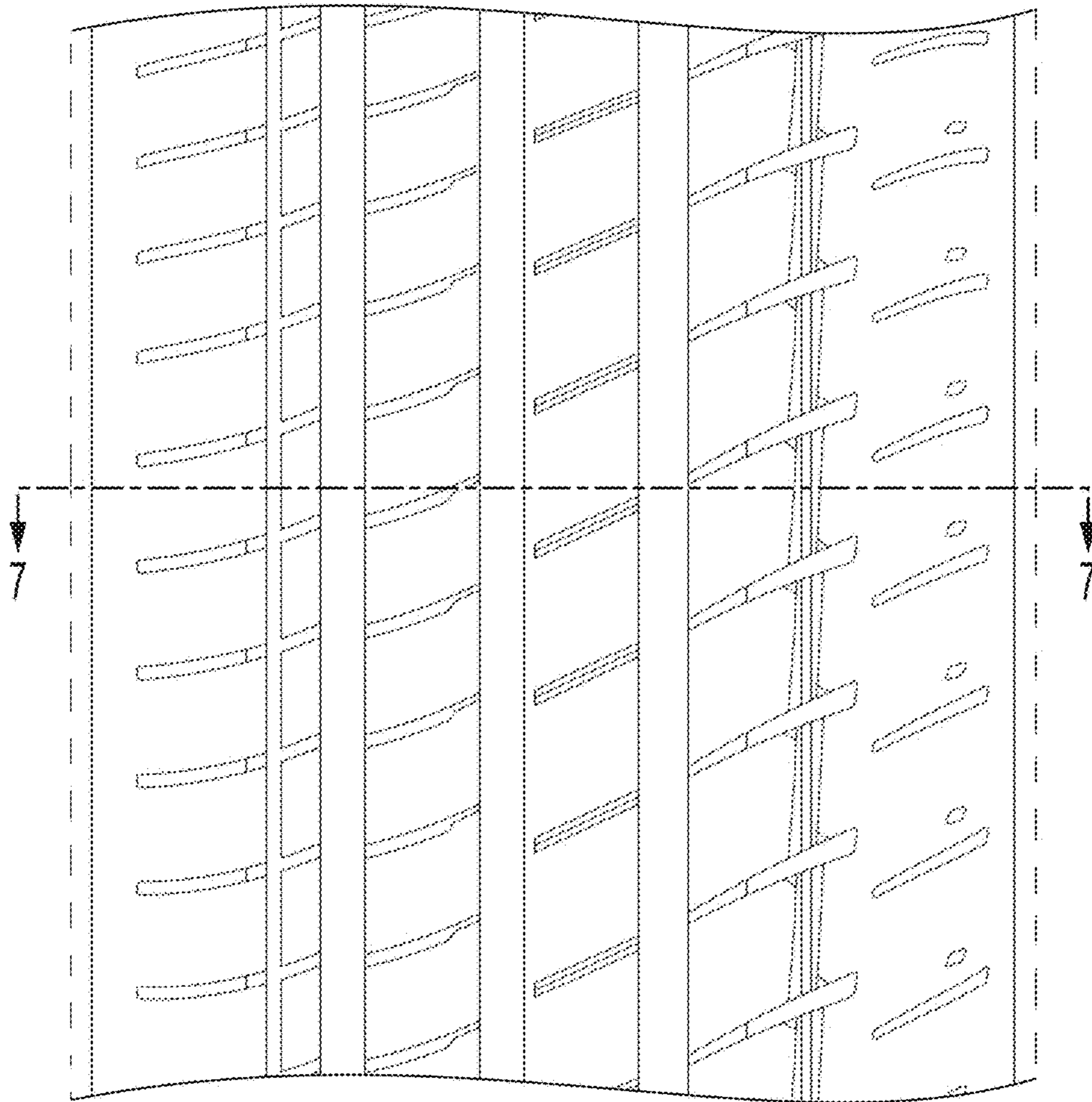


FIG. 6



FIG. 7