



US00D800048S

(12) **United States Design Patent** (10) **Patent No.:** **US D800,048 S**
Yoon (45) **Date of Patent:** **** Oct. 17, 2017**

(54) **TIRE TREAD**
(71) Applicant: **HANKOOK TIRE CO., LTD.**, Seoul (KR)

D659,075 S * 5/2012 Harvey D12/521
D725,584 S * 3/2015 Ropars D12/516
D733,635 S * 7/2015 Digman D12/521
D738,287 S * 9/2015 Raatikainen D12/521
D758,285 S * 6/2016 Wen D12/523

(72) Inventor: **Sung Hee Yoon**, Seoul (KR)
(73) Assignee: **Hankook Tire Co., Ltd.**, Seoul (KR)
(**) Term: **15 Years**

* cited by examiner
Primary Examiner — Sandra Snapp
Assistant Examiner — Katherine Glennon
(74) *Attorney, Agent, or Firm* — Hamre, Schumann, Mueller & Larson, P.C.

(21) Appl. No.: **29/545,303**

(22) Filed: **Nov. 11, 2015**

(57) **CLAIM**

(30) **Foreign Application Priority Data**

The ornamental design for a tire tread, as shown and described.

Jun. 16, 2015 (KR) 30-2015-0030148

(51) **LOC (10) Cl.** **12-15**

DESCRIPTION

(52) **U.S. Cl.**
USPC **D12/521**

(58) **Field of Classification Search**
USPC D12/505–532
CPC B60C 11/0302; B60C 11/0304; B60C 11/0306; B60C 11/0309; B60C 11/0311; B60C 11/0318; B60C 11/0337; B60C 11/0339; B60C 11/042; B60C 11/00; B60C 11/11; B60C 11/12; B60C 11/13
See application file for complete search history.

FIG. 1 is a perspective view of a tire tread showing my new design, it being understood that the pattern is repeated uniformly throughout the circumference of the tread;
FIG. 2 is a front elevational view thereof;
FIG. 3 is a rear elevational view thereof;
FIG. 4 is a left side view thereof;
FIG. 5 is a right side view thereof;
FIG. 6 is a top plan view thereof;
FIG. 7 is a bottom plan view thereof; and,
FIG. 8 is an enlarged fragmentary view from upper 8-8 to lower 8-8 in FIG. 2.

(56) **References Cited**

U.S. PATENT DOCUMENTS

D584,213 S * 1/2009 Shinkai D12/519
D624,007 S * 9/2010 Metz D12/519
D626,910 S * 11/2010 Bott D12/519
D637,546 S * 5/2011 Yonetsu D12/519
D648,668 S * 11/2011 Kujime D12/519
D650,322 S * 12/2011 Takahashi D12/519

The evenly spaced broken lines illustrate portions of the sidewall and portions of the tire, and form no part of the claimed design. The dot-dash lines illustrate the boundaries of the enlarged fragmentary view. The surface shading lines in the drawings depict the character or contour of the surfaces represented and form no part of the claimed design.

1 Claim, 8 Drawing Sheets

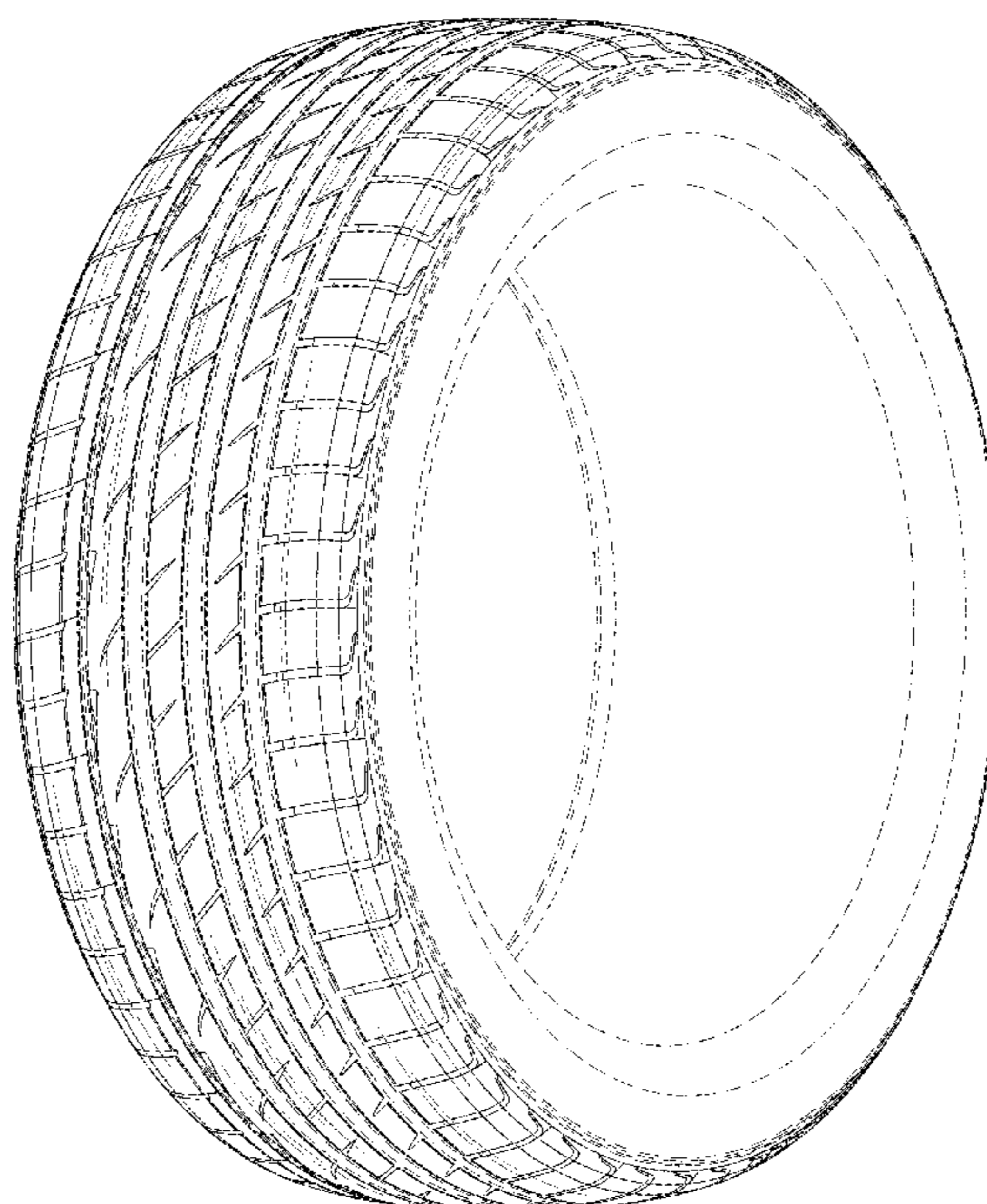


Fig. 1

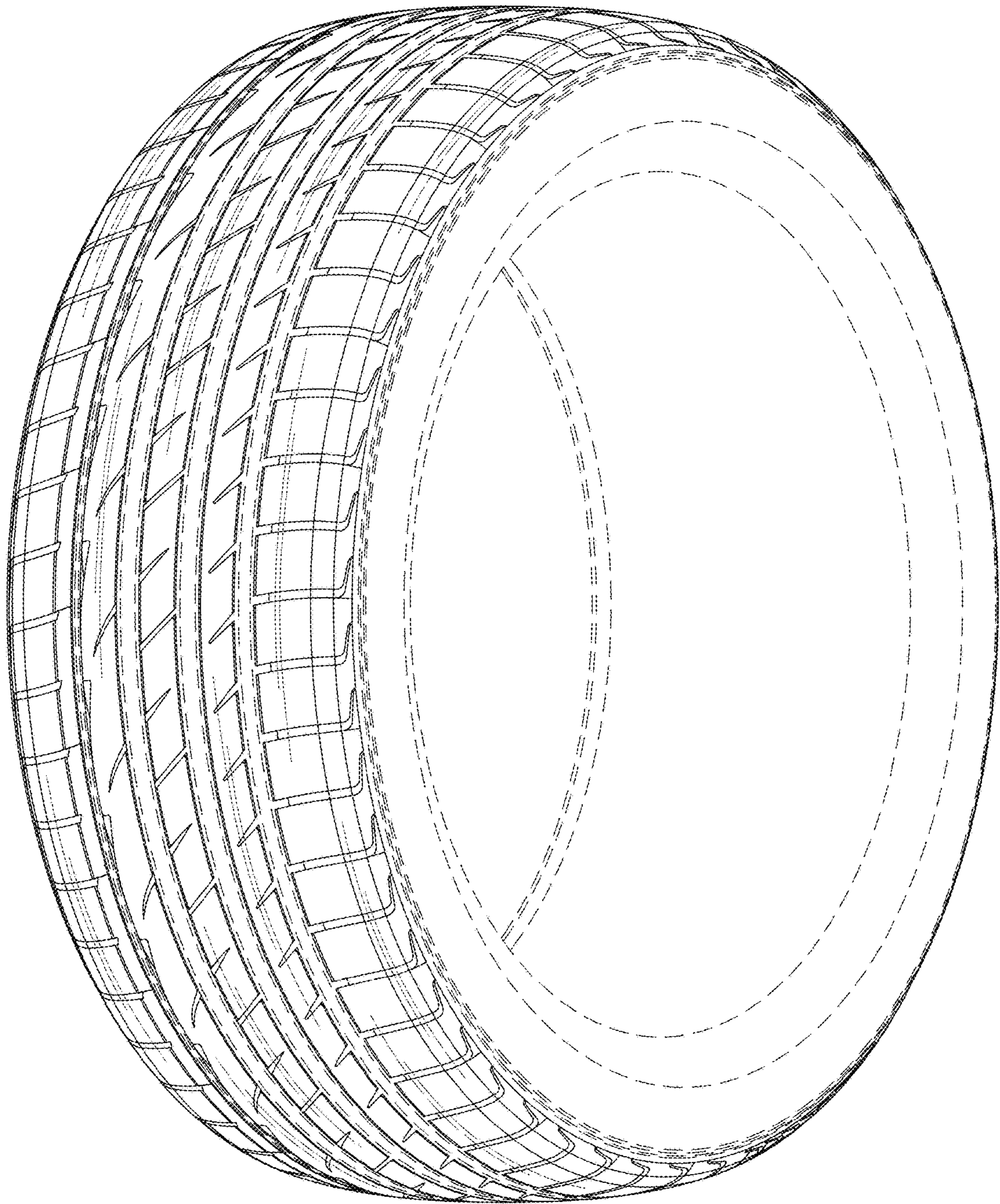


Fig. 2

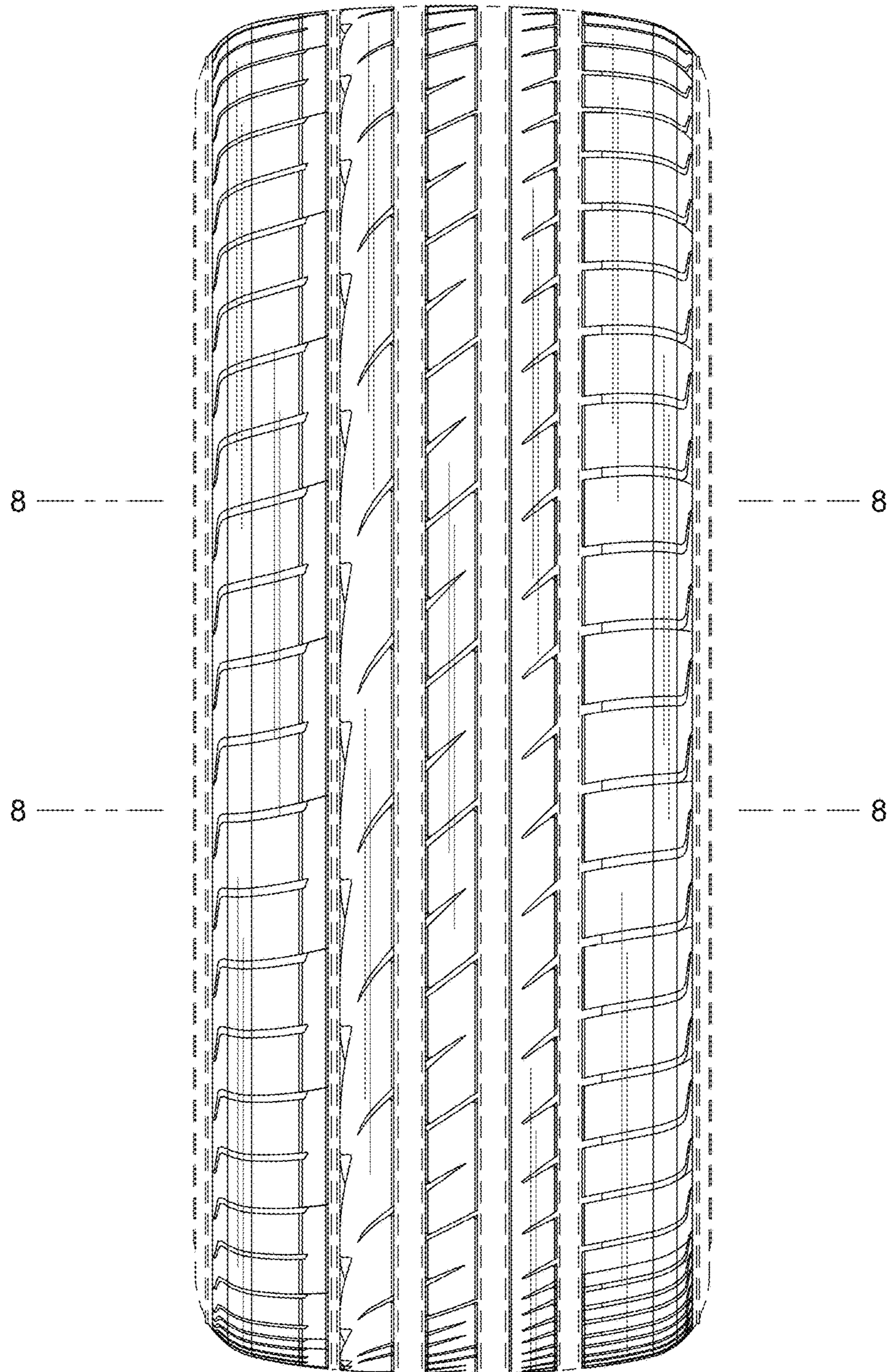


Fig. 3

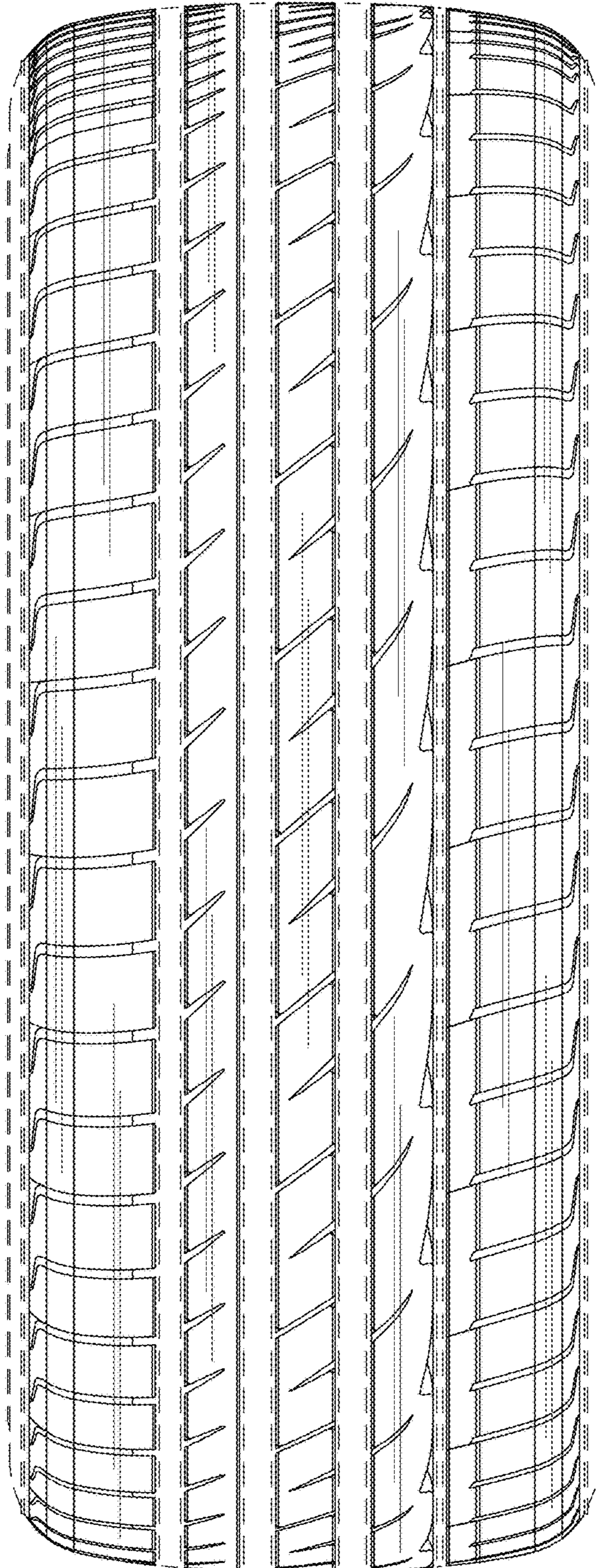


Fig. 4

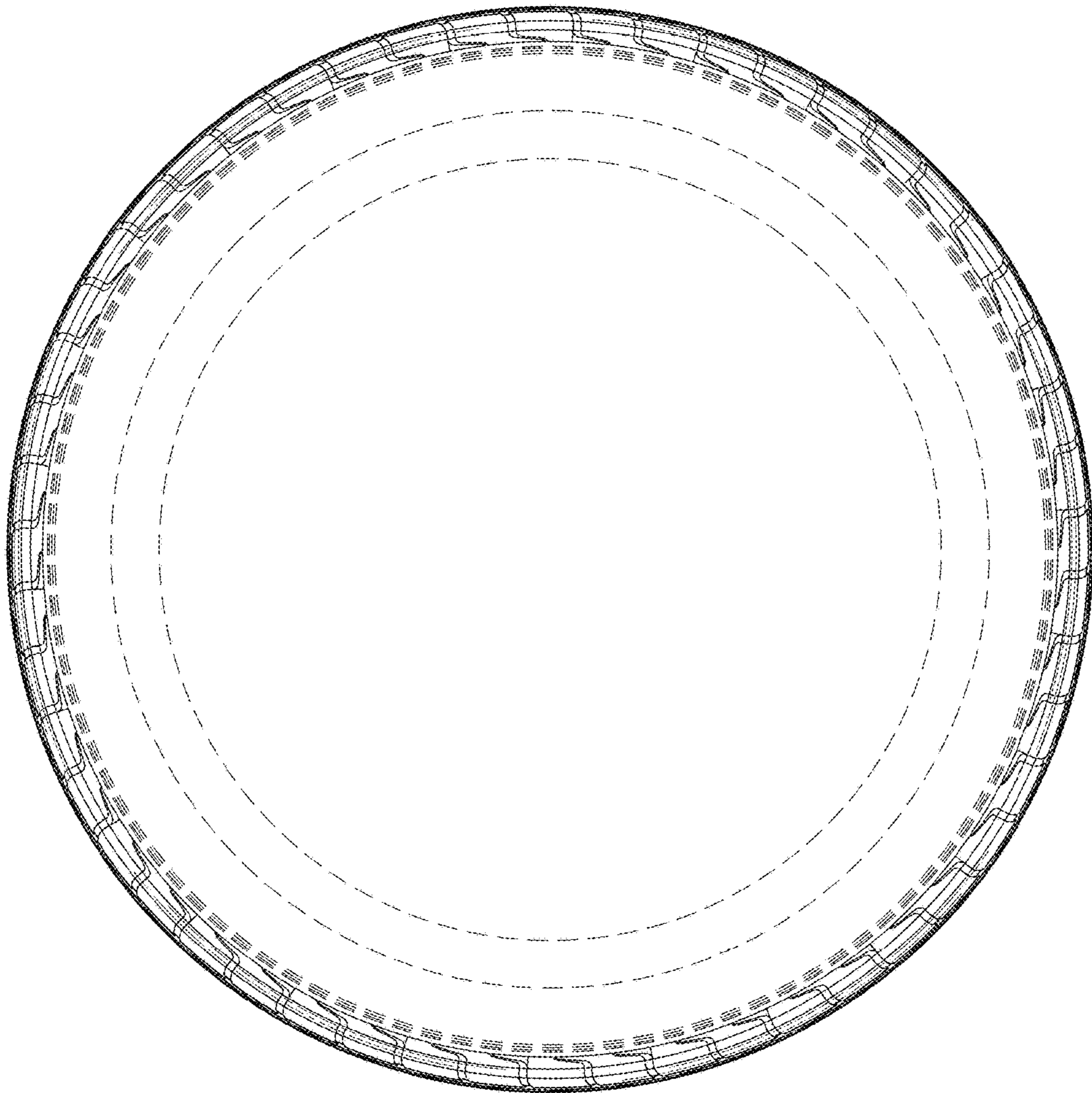


Fig. 5

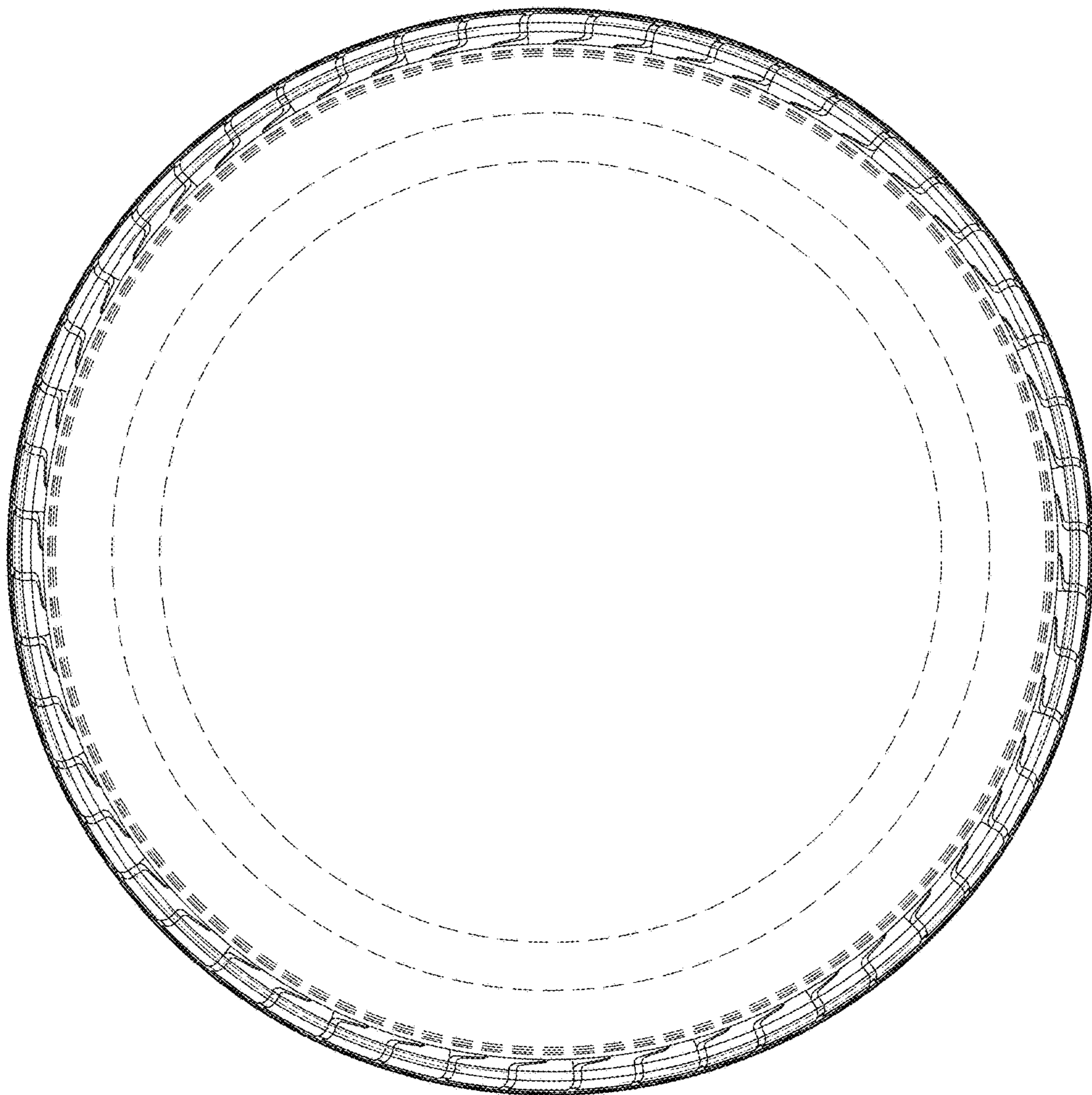


Fig. 6

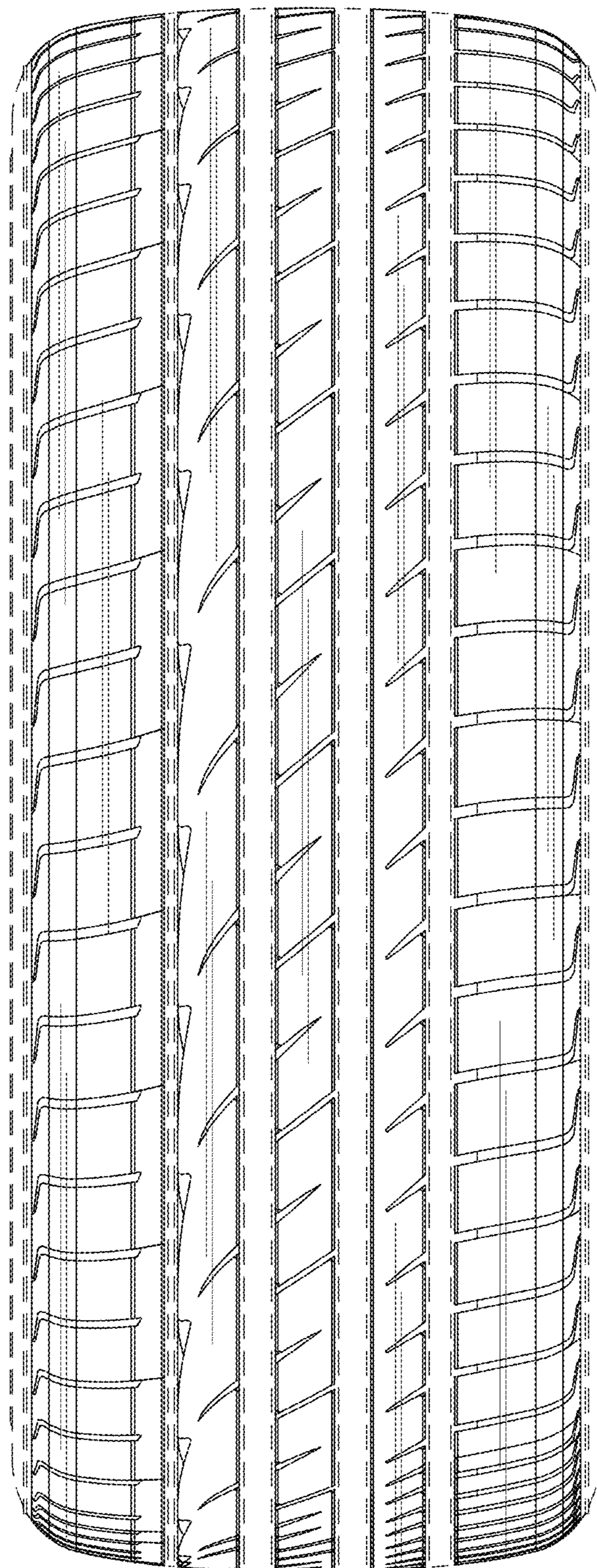


Fig. 7

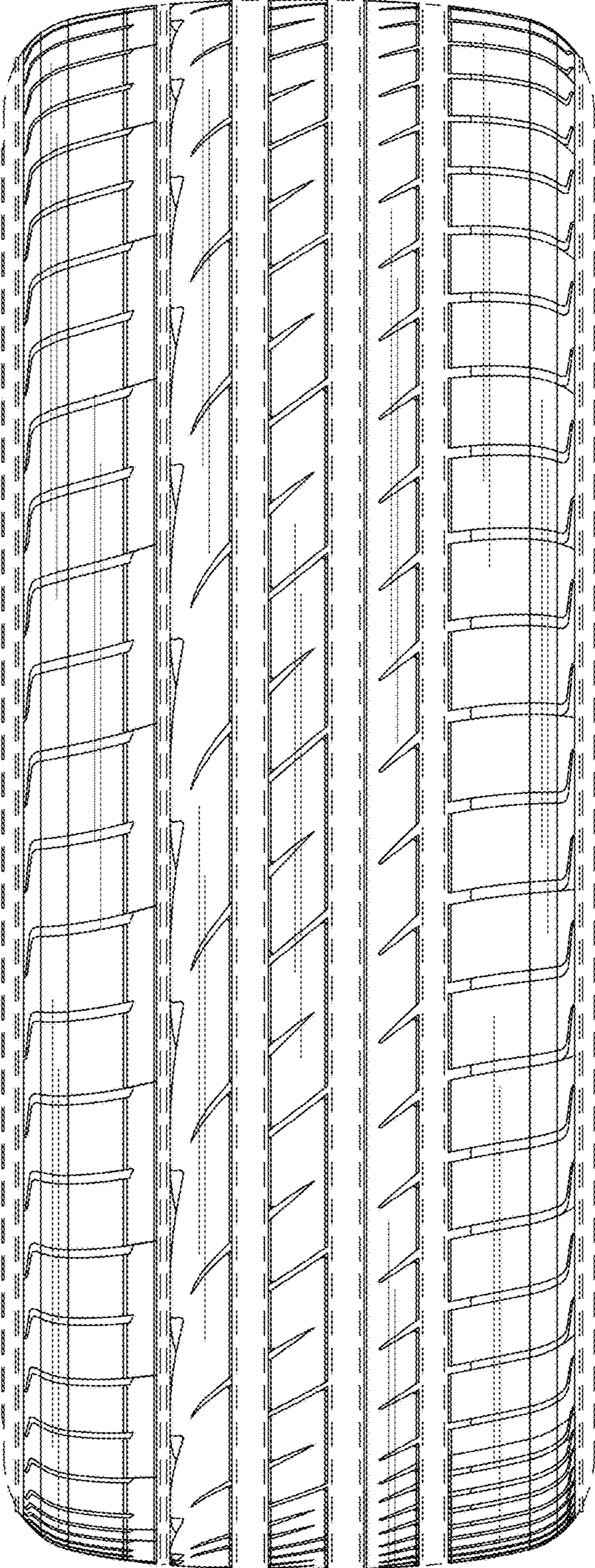


Fig. 8

