



US00D800047S

(12) **United States Design Patent** (10) **Patent No.:** **US D800,047 S**
Quezada (45) **Date of Patent:** **** Oct. 17, 2017**

(54) **AUTOMOBILE HOOD COWL ENCLOSURE**

4,971,385 A 11/1990 Lazarevich
5,176,421 A * 1/1993 Fasiska B60J 11/02
150/166
D348,295 S 6/1994 Artman
D363,262 S 10/1995 Schenk, Sr. et al.
D382,238 S 8/1997 Fink
5,902,003 A * 5/1999 Hindson B60J 11/00
293/128
D441,331 S 5/2001 Hatter
D487,719 S 3/2004 Powers
D566,033 S * 4/2008 Gauger D12/401
D574,763 S * 8/2008 Smith D12/401
D581,857 S * 12/2008 Bogard D12/401
D584,196 S 1/2009 Ebel et al.
D584,996 S 1/2009 Jamieson et al.

(71) Applicant: **CREU LLC**, Rancho Cucamonga, CA (US)

(72) Inventor: **Anthony Quezada**, Rancho Cucamonga, CA (US)

(73) Assignee: **CREU LLC**, Rancho Cucamonga, CA (US)

(**) Term: **15 Years**

(21) Appl. No.: **29/582,247**

(22) Filed: **Oct. 26, 2016**

Related U.S. Application Data

(63) Continuation of application No. 29/526,982, filed on May 14, 2015, now abandoned.

(51) **LOC (10) Cl.** **12-16**

(52) **U.S. Cl.**
USPC **D12/401**

(58) **Field of Classification Search**
USPC D12/401-405; D6/610, 611, 601-603, D6/615, 617, 621; D7/332, 334-337
CPC B62J 19/00; B62J 1/18; B62J 1/26; B62J 1/24; B62J 1/28; B62J 1/22
See application file for complete search history.

(56) **References Cited**

U.S. PATENT DOCUMENTS

3,170,729 A 2/1965 Grant
D243,668 S 3/1977 Komuro et al.
D277,273 S 1/1985 Schmidt
D283,020 S 3/1986 Koch
D283,120 S 3/1986 Trombley et al.
D284,751 S 7/1986 Soederberg
D292,505 S 10/1987 Oda
D301,028 S 5/1989 Buck
D306,423 S 3/1990 Mayhugh

(Continued)

OTHER PUBLICATIONS

U.S. Appl. No. 29/526,982, filed May 14, 2015, Quezada.

Primary Examiner — Katrina A Betton

(74) *Attorney, Agent, or Firm* — Knobbe, Martens, Olson & Bear, LLP

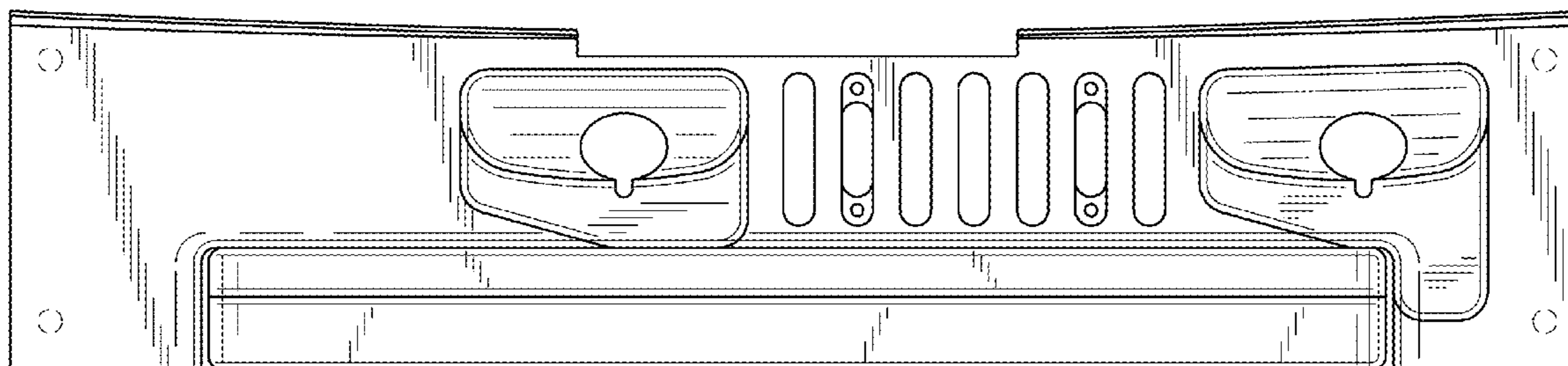
(57) **CLAIM**

The ornamental design for an automobile hood cowl enclosure, as shown and described.

DESCRIPTION

FIG. 1 is a front perspective view of automobile hood cowl enclosure;
FIG. 2 is a front elevation view thereof;
FIG. 3 is a rear elevation view thereof;
FIG. 4 is a left side elevation view thereof;
FIG. 5 is a right side elevation view thereof;
FIG. 6 is a top plan view thereof; and,
FIG. 7 is a bottom plan view thereof.
The broken lines shown in the drawings illustrate portions of the automobile hood cowl enclosure that form no part of the claimed design.

1 Claim, 3 Drawing Sheets



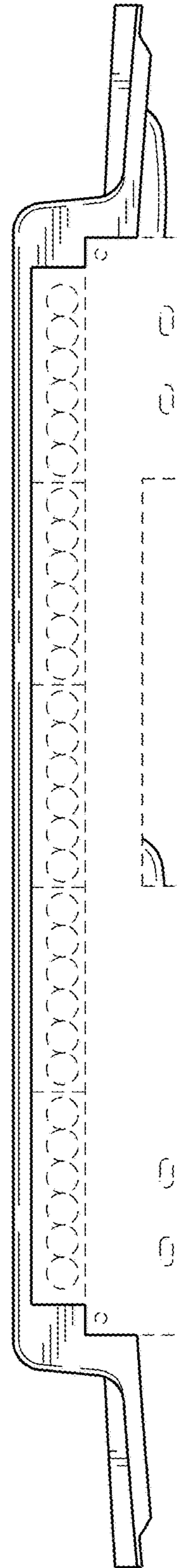
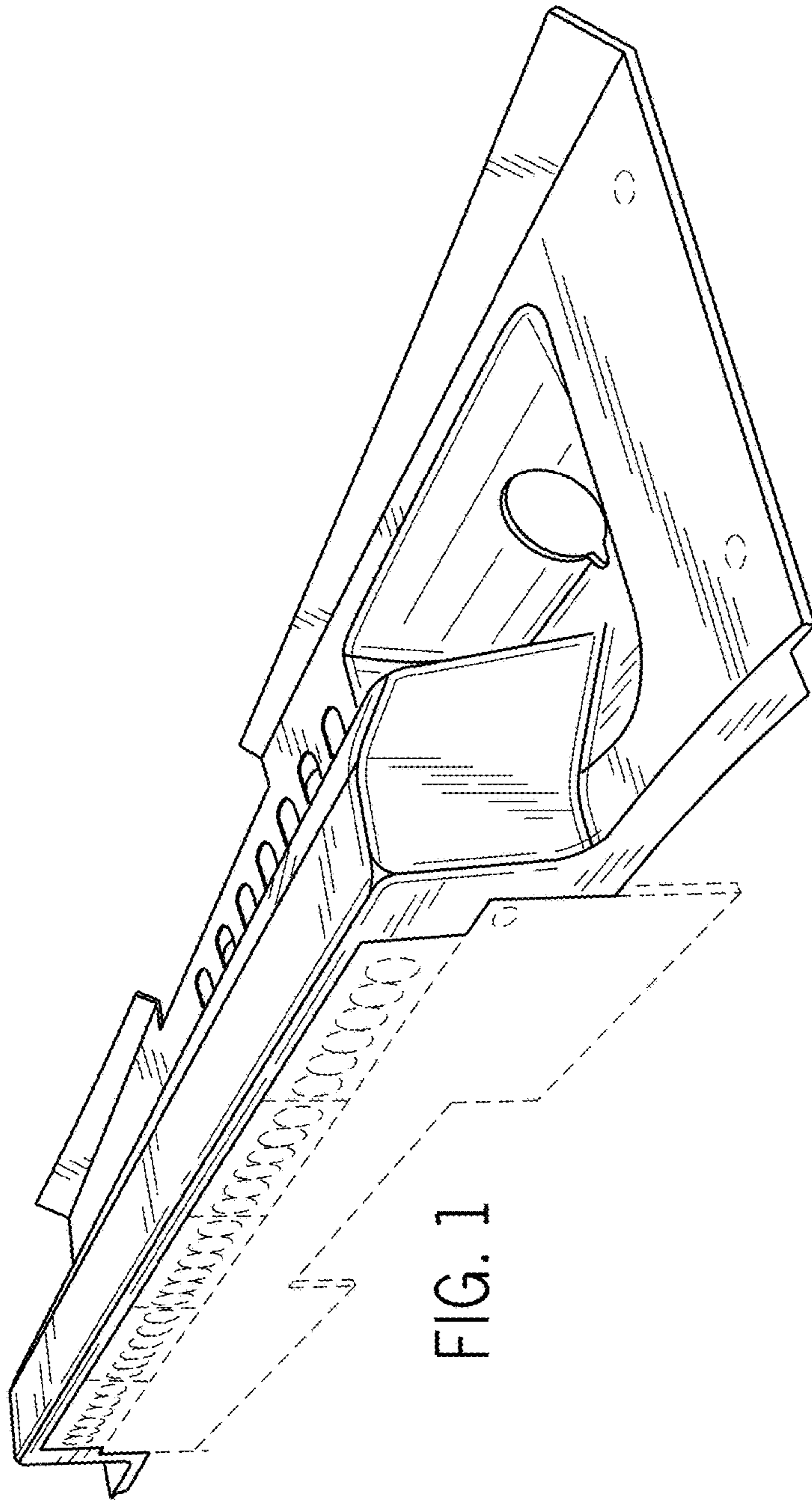
(56)

References Cited

U.S. PATENT DOCUMENTS

D586,267	S	2/2009	Ebel et al.	
D603,320	S	11/2009	Bauer et al.	
D620,849	S	8/2010	Kaoud et al.	
D640,602	S	6/2011	Yoshida et al.	
D664,912	S	8/2012	Warren et al.	
D718,216	S *	11/2014	Shipman	D12/401
D722,552	S *	2/2015	Pifer, III	D12/401
D756,858	S *	5/2016	Malina	D12/167
D756,859	S *	5/2016	Malina	D12/167
D773,377	S *	12/2016	Choi	D12/401
D776,601	S *	1/2017	McDonald, II	D12/401
2005/0236117	A1 *	10/2005	Lin	B60J 7/0015 160/267.1
2006/0038320	A1	2/2006	Straub et al.	

* cited by examiner



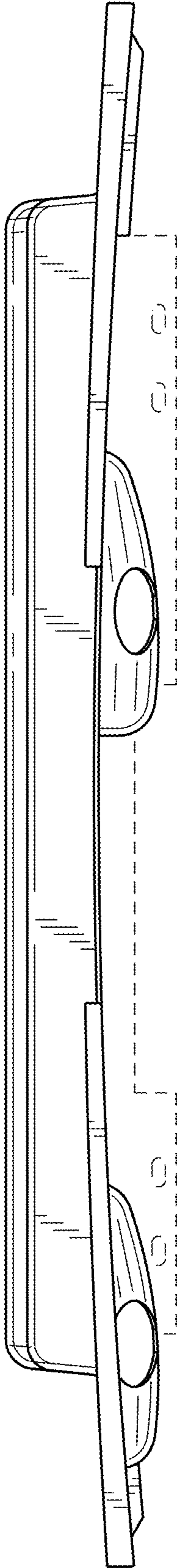


FIG. 3

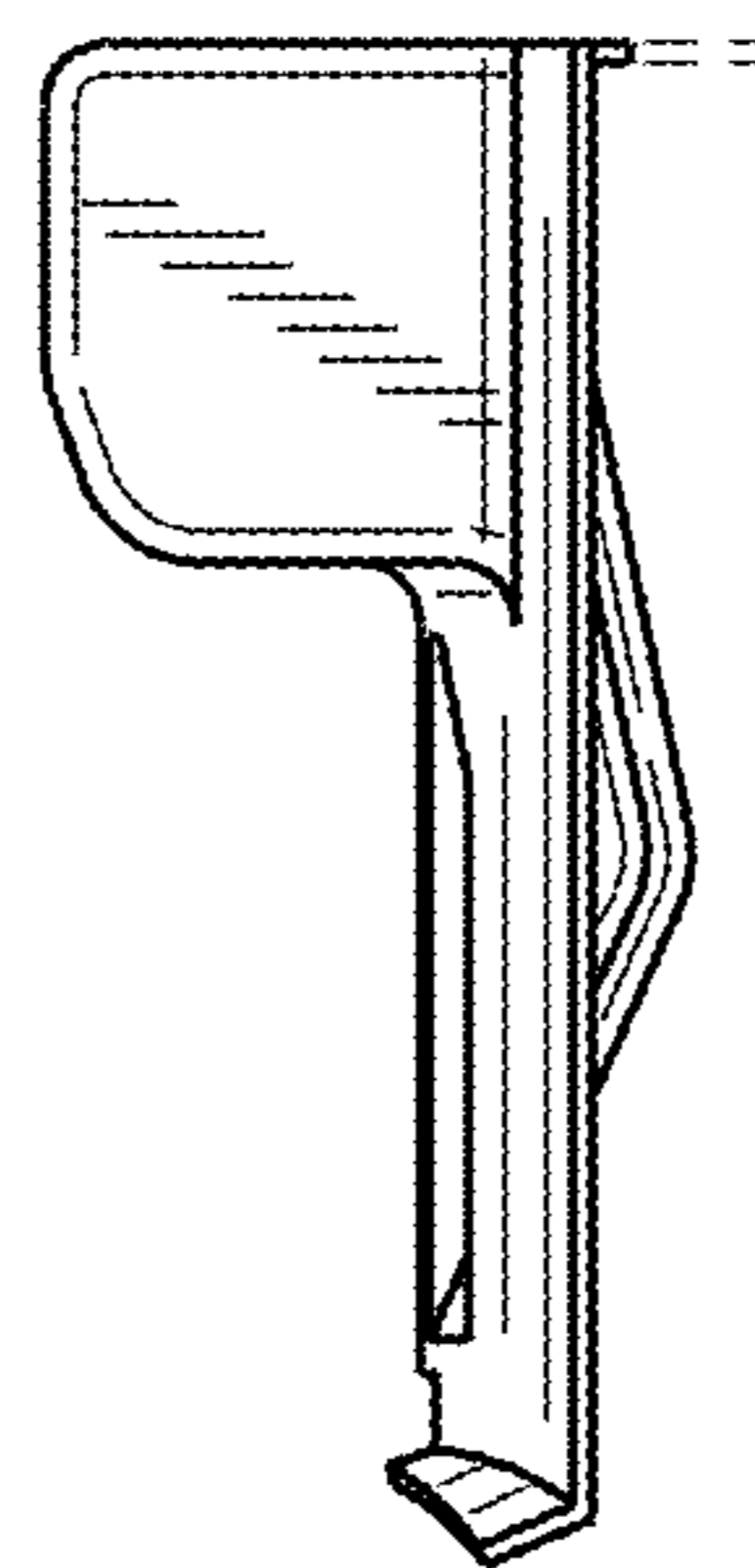


FIG. 4

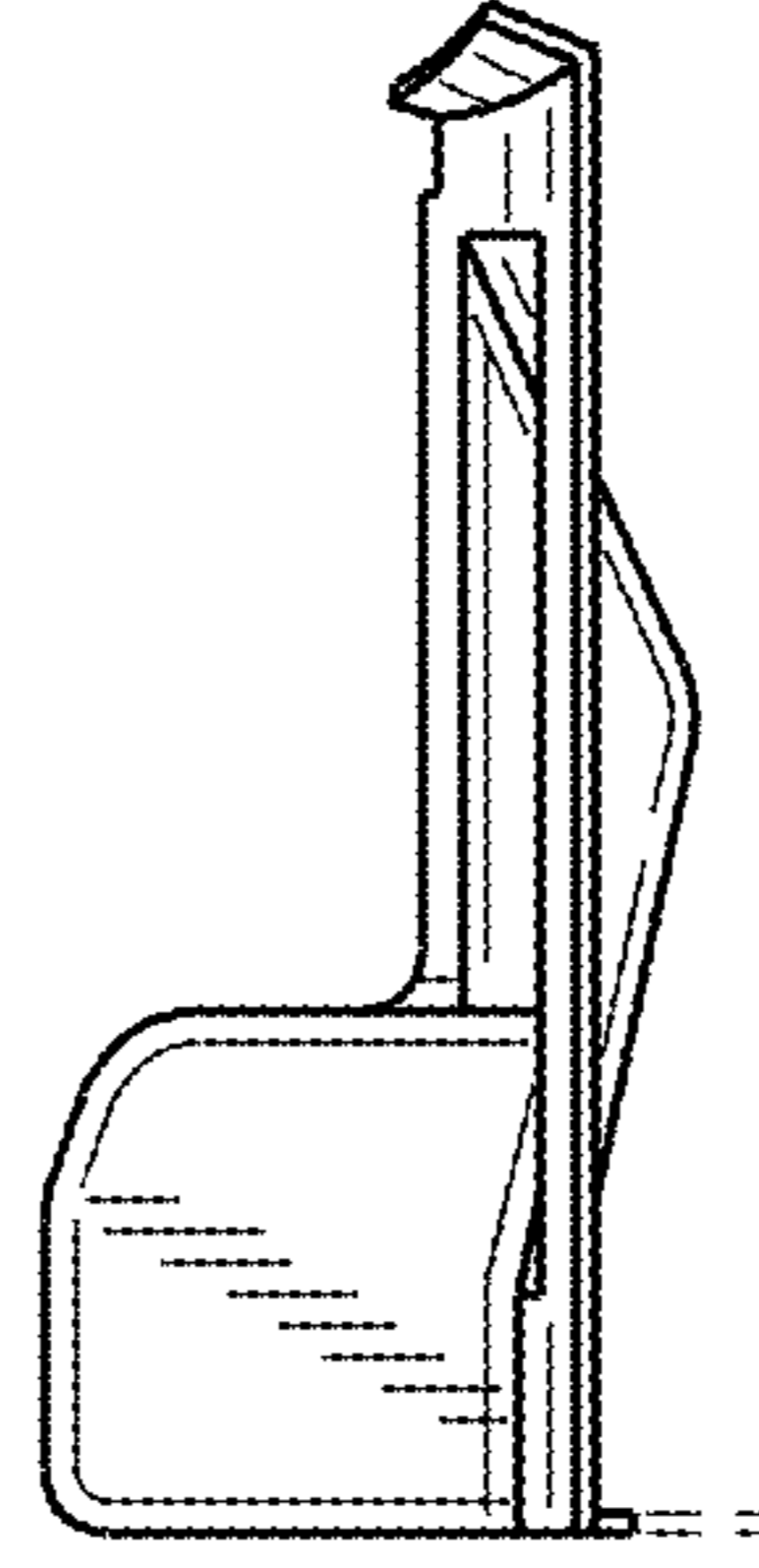


FIG. 5

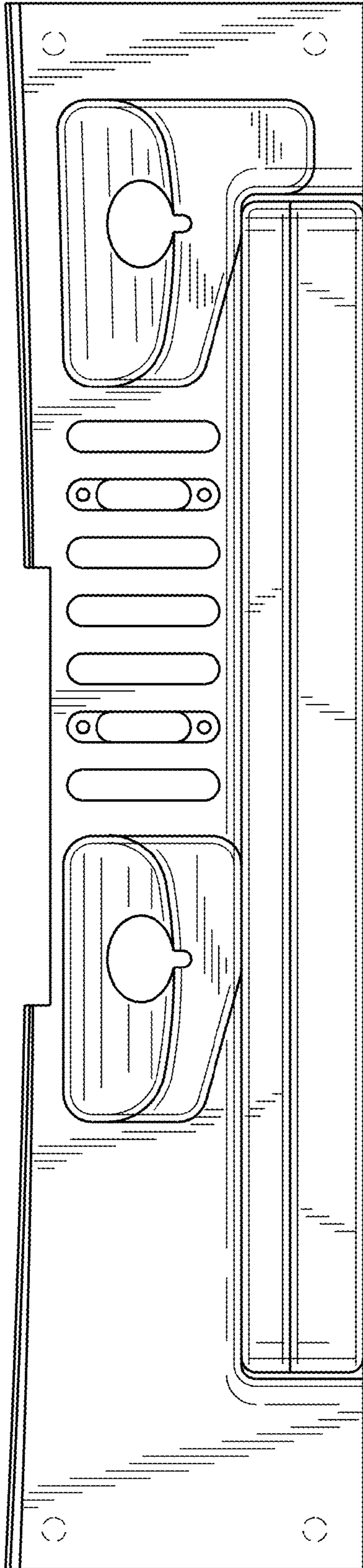


FIG. 6

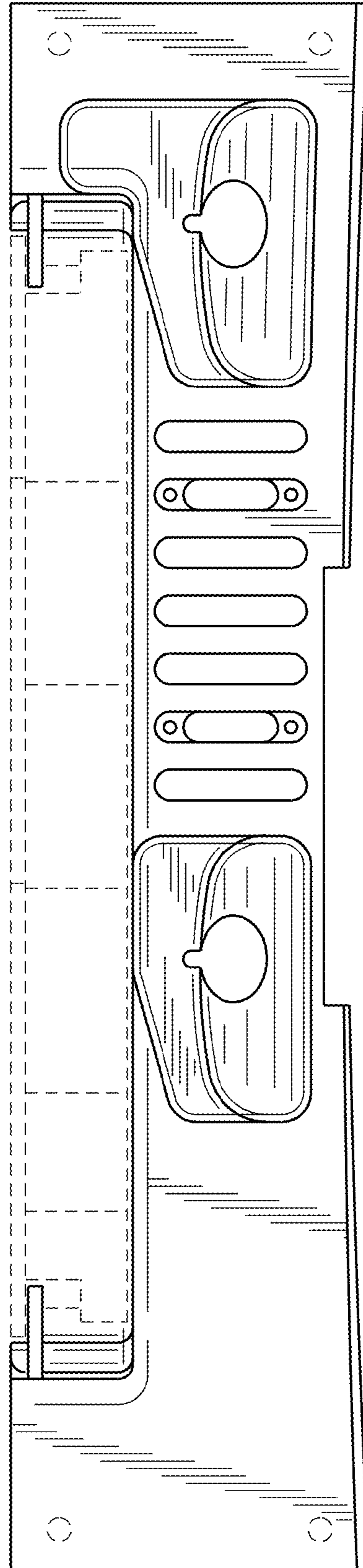


FIG. 7