



US00D800043S

(12) **United States Design Patent** (10) **Patent No.:** **US D800,043 S**
Alesi et al. (45) **Date of Patent:** **** Oct. 17, 2017**

(54) **VEHICLE FLOOR MAT**

FOREIGN PATENT DOCUMENTS

(71) Applicant: **Custom Accessories, Inc.**, Richmond, IL (US)

DE 20013554 U1 3/2001
EP 1302364 A1 4/2003

(72) Inventors: **Vincent Alesi**, Kildeer, IL (US);
Anthony Ferenzi, Plainfield, IL (US)

OTHER PUBLICATIONS

(73) Assignee: **CUSTOM ACCESSORIES, INC.**, Richmond, IL (US)

Armor All Floor Shield™, All Season Protection, 4-Piece, Traps Dirt, Snow & Water, Trim to Fit Any Vehicle, Carpet Clamp™ Technology; on sale as early as Mar. 15, 2016.

(**) Term: **15 Years**

(Continued)

(21) Appl. No.: **29/580,191**

Primary Examiner — George D. Kirschbaum

(22) Filed: **Oct. 6, 2016**

Assistant Examiner — Clese Moore, Jr.

(51) **LOC (10) Cl.** **12-16**

(74) *Attorney, Agent, or Firm* — Patzik, Frank &

(52) **U.S. Cl.**

Samotny Ltd.

USPC **D12/203**

(58) **Field of Classification Search**

(57) **CLAIM**

USPC D12/203, 221; D6/582–586, 592–594

The ornamental design for a vehicle floor mat, as shown and described.

CPC B60R 13/01; B60N 3/044; B60N 3/04

See application file for complete search history.

DESCRIPTION

(56) **References Cited**

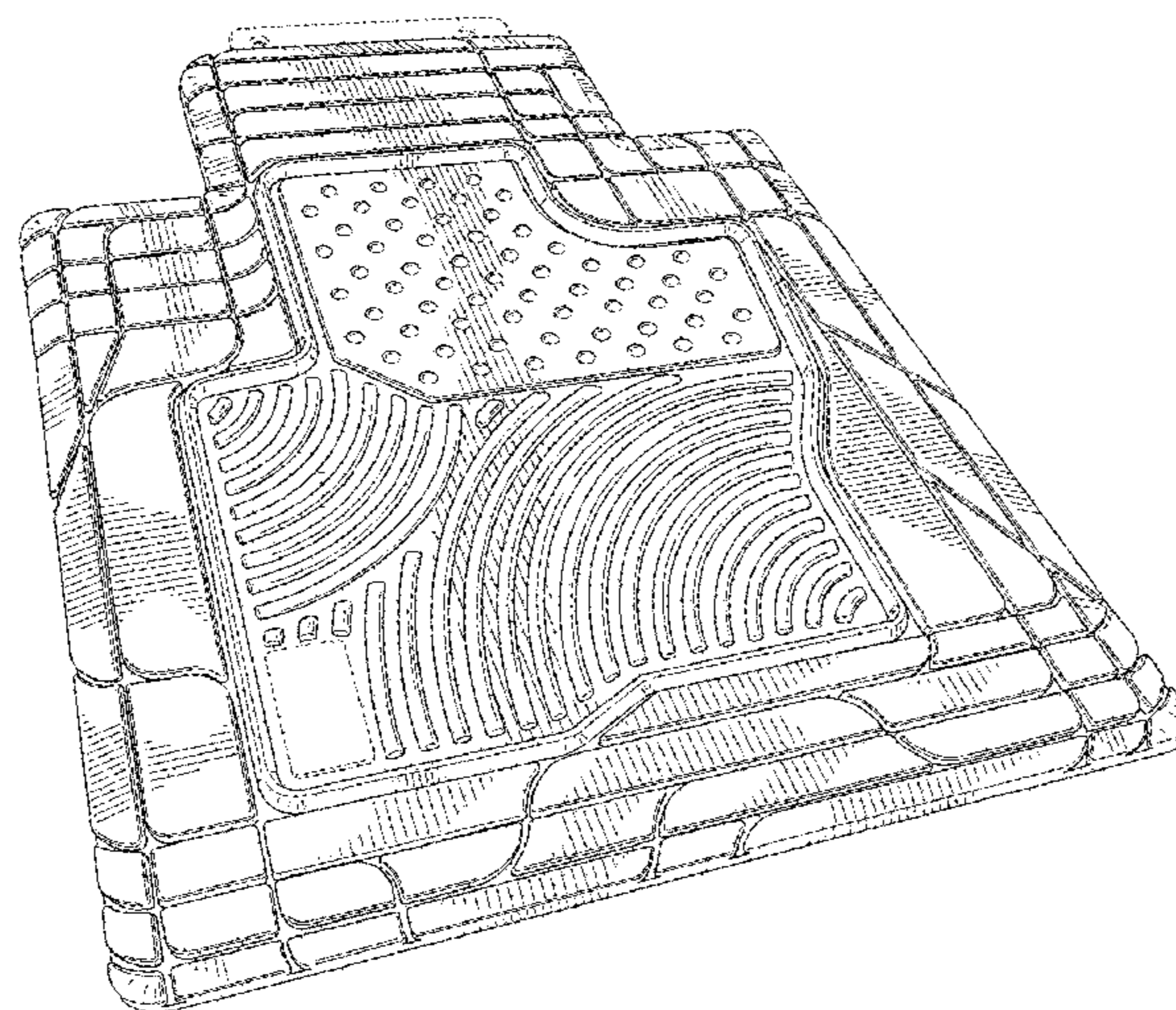
U.S. PATENT DOCUMENTS

D393,238 S *	4/1998	Kraines	D12/203
6,155,629 A	12/2000	Sherman		
D454,321 S *	3/2002	Lu	D12/203
D454,322 S *	3/2002	Lu	D12/203
D472,511 S *	4/2003	Lu	D12/203
D489,306 S *	5/2004	Kraines	D12/203
D509,781 S *	9/2005	Hussaini	D12/203
D510,553 S *	10/2005	Hussaini	D12/203
D514,493 S	2/2006	MacNeil		
D522,428 S	6/2006	MacNeil		
D530,250 S	10/2006	Thom		
D542,203 S	5/2007	Kraines		
D569,318 S	5/2008	Kraines		
D608,709 S *	1/2010	Masanek, Jr.	D12/203
D613,226 S *	4/2010	Lu	D12/203
D647,446 S	10/2011	Jeackjuntra et al.		
D648,253 S *	11/2011	Lu	D12/203

(Continued)

FIG. 1 is a front perspective view of the vehicle floor mat of the present invention;
FIG. 2 is a top plan view of the vehicle floor mat of the present invention;
FIG. 3 is a bottom plan view of the vehicle floor mat of the present invention;
FIG. 4 is a front elevation view of the vehicle floor mat of the present invention;
FIG. 5 is a rear elevation view of the vehicle floor mat of the present invention;
FIG. 6 is a left side elevation view of the vehicle floor mat of the present invention; and,
FIG. 7 is a right side elevation view of the vehicle floor mat of the present invention.
The broken lines depict portions of the article that form no part of the claimed design.

1 Claim, 5 Drawing Sheets



(56)

References Cited

U.S. PATENT DOCUMENTS

8,080,302	B2	12/2011	Gifford et al.	
D656,875	S	4/2012	MacNeil et al.	
D659,623	S	5/2012	Lu	
8,277,918	B1	10/2012	Gifford et al.	
8,455,078	B2	6/2013	Gifford et al.	
D692,361	S *	10/2013	Lu	D12/203
D697,857	S *	1/2014	Kingsbury	D12/203
D698,718	S *	2/2014	Kingsbury	D12/203
8,685,516	B2	4/2014	Gifford et al.	
D766,798	S *	9/2016	Lu	D12/203
2013/0022772	A1	1/2013	Gifford et al.	
2013/0171419	A1	7/2013	Tyler et al.	
2014/0212617	A1	7/2014	Gifford et al.	

OTHER PUBLICATIONS

English Translation of European Publication No. EP1302364 (HV Developpement, SARL), Published Apr. 16, 2003.
 English Translation of German Publication No. DE20013554 (APA GmbH & Co KG Otto Bauder), Published Mar. 8, 2001.
 Vincent Alesi, et al, co-pending U.S. Appl. No. 29/571,234, filed Jul. 15, 2016, entitled "Vehicle Floor Mat," and having a common inventor and assignee in the present application.

Vincent Alesi, et al, co-pending U.S. Appl. No. 29/571,235, filed Jul. 15, 2016, entitled "Vehicle Floor Mat," and having a common inventor and assignee in the present application.
 Vincent Alesi, et al, co-pending U.S. Appl. No. 29/571,236, filed Jul. 15, 2016, entitled "Vehicle Floor Mat," and having a common inventor and assignee in the present application.
 Vincent Alesi, et al, co-pending U.S. Appl. No. 29/571,237, filed Jul. 15, 2016, entitled "Vehicle Floor Mat," and having a common inventor and assignee in the present application.
 Vincent Alesi, et al, co-pending U.S. Appl. No. 29/571,238, filed Jul. 15, 2016, entitled "Vehicle Floor Mat," and having a common inventor and assignee in the present application.
 Vincent Alesi, et al, co-pending U.S. Appl. No. 29/580,187, filed Oct. 6, 2016, entitled "Vehicle Floor Mat," and having a common inventor and assignee in the present application.
 Vincent Alesi, et al, co-pending U.S. Appl. No. 29/580,189, filed Oct. 6, 2016, entitled "Vehicle Floor Mat," and having a common inventor and assignee in the present application.
 Vincent Alesi, et al, co-pending U.S. Appl. No. 29/580,190, filed Oct. 6, 2016, entitled "Vehicle Floor Mat," and having a common inventor and assignee in the present application.
 Vincent Alesi, et al, co-pending U.S. Appl. No. 29/580,192, filed Oct. 6, 2016, entitled "Vehicle Floor Mat," and having a common inventor and assignee in the present application.

* cited by examiner

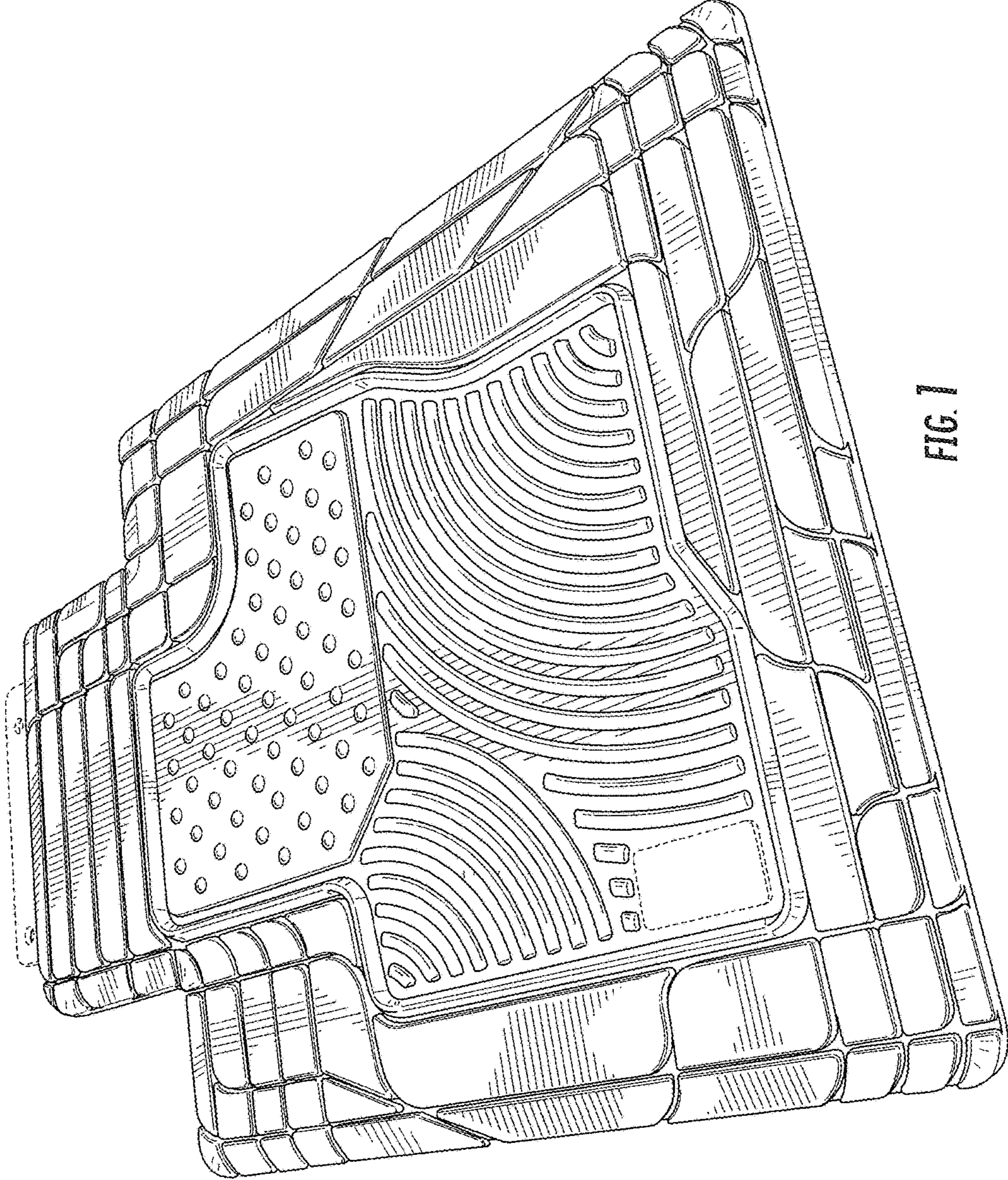


FIG. 1

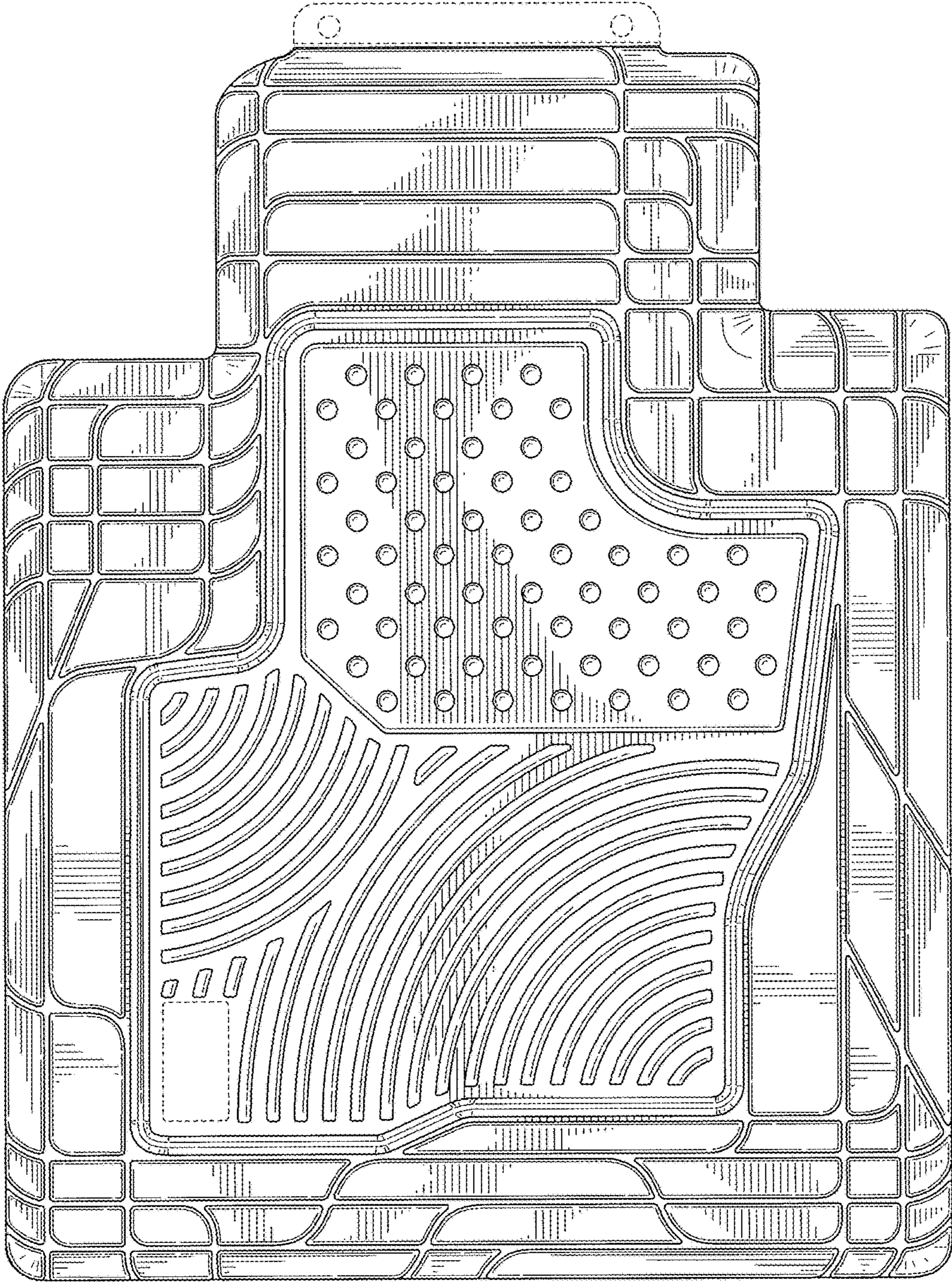


FIG. 2

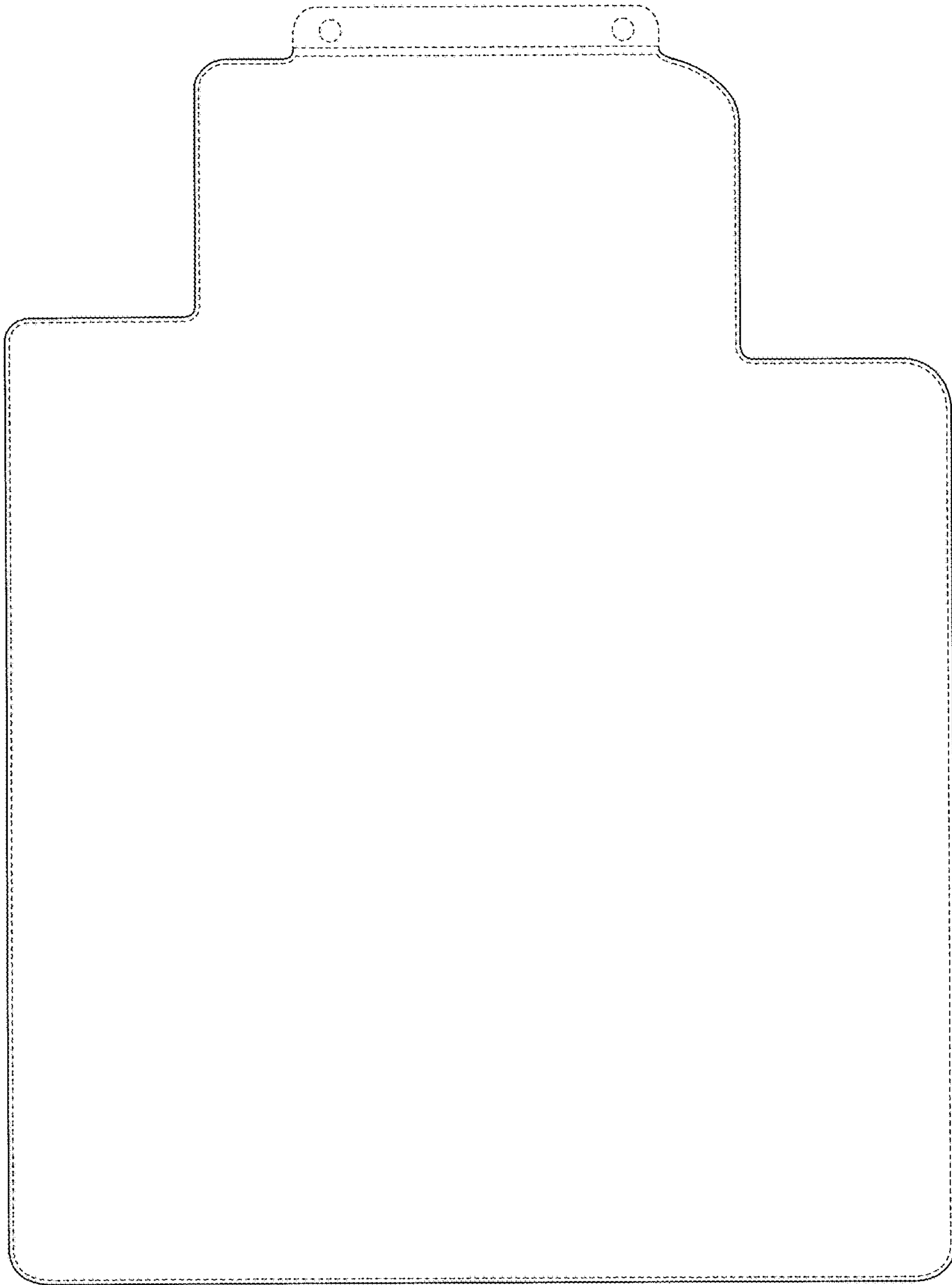


FIG. 3



FIG. 4

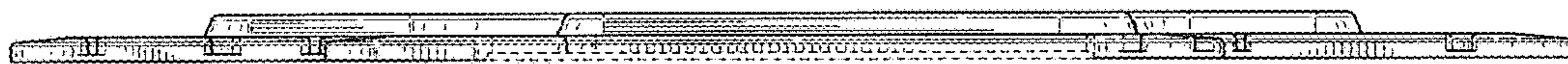


FIG. 5



FIG. 6



FIG. 7