



US00D800041S

(12) **United States Design Patent** (10) **Patent No.:** **US D800,041 S**
Alesi et al. (45) **Date of Patent:** **** Oct. 17, 2017**

(54) **VEHICLE FLOOR MAT**

FOREIGN PATENT DOCUMENTS

(71) Applicant: **Custom Accessories, Inc.**, Richmond, IL (US)

DE 20013554 U1 3/2001
EP 1302364 A1 4/2003

(72) Inventors: **Vincent Alesi**, Kildeer, IL (US);
Anthony Ferenzi, Plainfield, IL (US)

OTHER PUBLICATIONS

(73) Assignee: **CUSTOM ACCESSORIES, INC.**,
Richmond, IL (US)

Armor All Floor Shield™, All Season Protection, 4-Piece, Traps
Dirt, Snow & Water, Trim to Fit Any Vehicle, Carpet Claw™
Technology; on sale as early as Mar. 15, 2016.

(**) Term: **15 Years**

(Continued)

(21) Appl. No.: **29/580,187**

Primary Examiner — George D. Kirschbaum

(22) Filed: **Oct. 6, 2016**

Assistant Examiner — Clese Moore, Jr.

(51) **LOC (10) Cl.** **12-16**

(74) *Attorney, Agent, or Firm* — Patzik, Frank &

(52) **U.S. Cl.**

Samotny Ltd.

USPC **D12/203**

(58) **Field of Classification Search**

(57) **CLAIM**

USPC D12/203, 221; D6/582–586, 592–594

The ornamental design for a vehicle floor mat, as shown and
described.

CPC B60R 13/01; B60N 3/044; B60N 3/04

See application file for complete search history.

DESCRIPTION

(56) **References Cited**

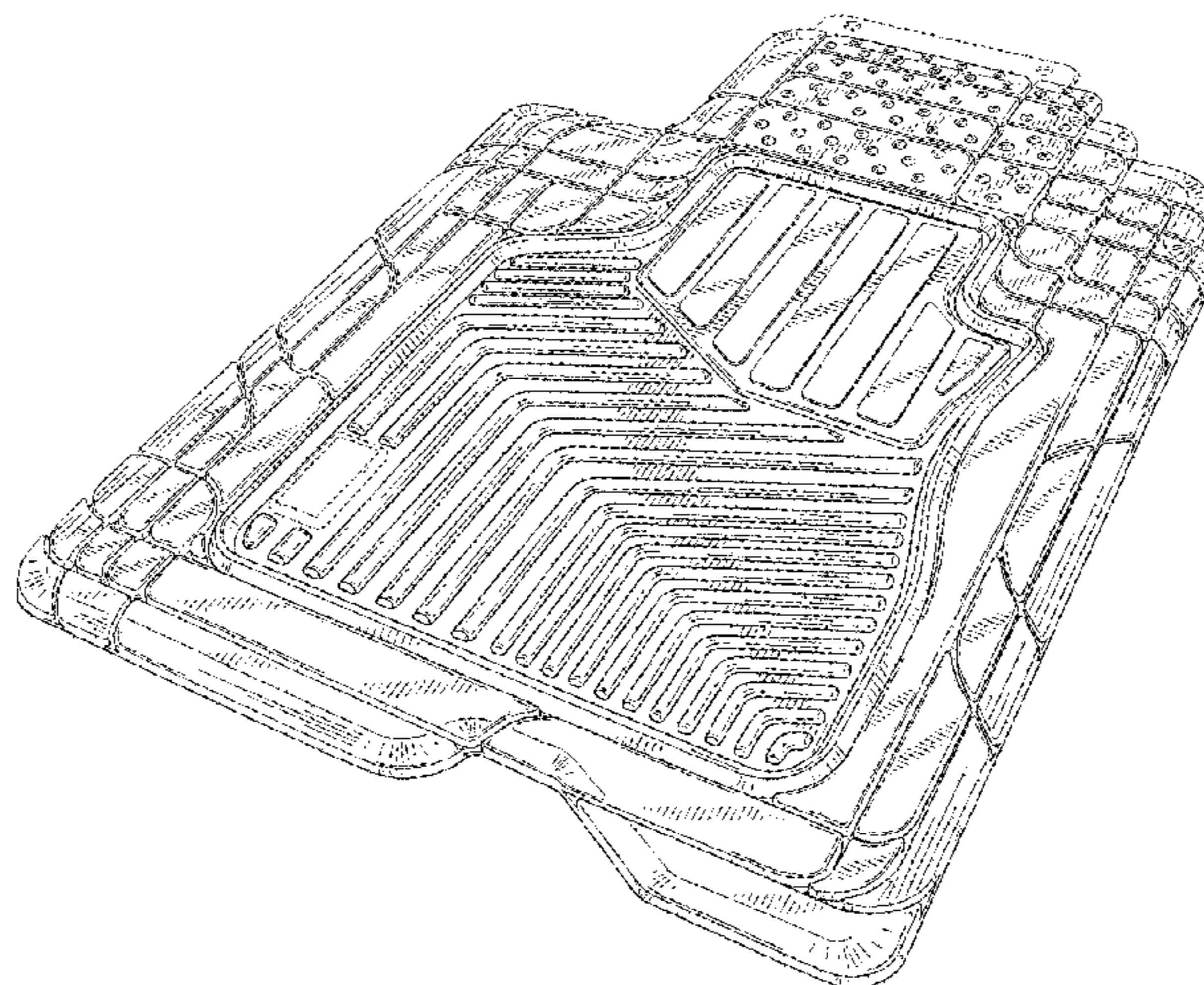
U.S. PATENT DOCUMENTS

6,155,629 A	12/2000	Sherman	
D454,321 S *	3/2002	Lu	D12/203
D472,511 S *	4/2003	Lu	D12/203
D489,306 S *	5/2004	Kraines	D12/203
D499,057 S *	11/2004	Lafleur	D12/203
D508,449 S *	8/2005	Hussaini	D12/203
D509,174 S *	9/2005	Hussaini	D12/203
D514,044 S *	1/2006	Hussaini	D12/203
D514,493 S	2/2006	MacNeil	
D522,428 S	6/2006	MacNeil	
D529,852 S *	10/2006	Thom	D12/203
D530,250 S *	10/2006	Thom	D12/203
D542,203 S	5/2007	Kraines	
D550,137 S *	9/2007	Kraines	D12/203
D555,563 S *	11/2007	Iacovelli	D12/203
D569,318 S	5/2008	Kraines	
D608,709 S *	1/2010	Masanek, Jr.	D12/203

(Continued)

FIG. 1 is a front perspective view of the vehicle floor mat of
the present invention;
FIG. 2 is a top plan view of the vehicle floor mat of the
present invention;
FIG. 3 is a bottom plan view of the vehicle floor mat of the
present invention;
FIG. 4 is a front elevation view of the vehicle floor mat of
the present invention;
FIG. 5 is a rear elevation view of the vehicle floor mat of the
present invention;
FIG. 6 is a left side elevation view of the vehicle floor mat
of the present invention; and,
FIG. 7 is a right side elevation view of the vehicle floor mat
of the present invention.
The broken lines depict portions of the article that form no
part of the claimed design.

1 Claim, 5 Drawing Sheets



(56)

References Cited

U.S. PATENT DOCUMENTS

D636,714 S * 4/2011 Lu D12/203
D647,446 S 10/2011 Jeackjuntra et al.
8,080,302 B2 12/2011 Gifford et al.
D656,875 S 4/2012 MacNeil et al.
D659,623 S 5/2012 Lu
8,277,918 B1 10/2012 Gifford et al.
8,455,078 B2 6/2013 Gifford et al.
D697,857 S * 1/2014 Kingsbury D12/203
D698,718 S * 2/2014 Kingsbury D12/203
8,685,516 B2 4/2014 Gifford et al.
2013/0022772 A1 1/2013 Gifford et al.
2013/0171419 A1 7/2013 Tyler et al.
2014/0212617 A1 7/2014 Gifford et al.

OTHER PUBLICATIONS

English Translation of European Publication No. EP1302364 (HV
Developpement, SARL), Published Apr. 16, 2003.

English Translation of German Publication No. DE20013554 (APA
GmbH & Co KG Otto Bauder), Published Mar. 8, 2001.
Vincent Alesi, et al., co-pending U.S. Appl. No. 29/571,234, filed
Jul. 15, 2016, entitled "Vehicle Floor Mat."
Vincent Alesi, et al., co-pending U.S. Appl. No. 29/571,235, filed
Jul. 15, 2016, entitled "Vehicle Floor Mat."
Vincent Alesi, et al., co-pending U.S. Appl. No. 29/571,236, filed
Jul. 15, 2016, entitled "Vehicle Floor Mat."
Vincent Alesi, et al., co-pending U.S. Appl. No. 29/571,237, filed
Jul. 15, 2016, entitled "Vehicle Floor Mat."
Vincent Alesi, et al., co-pending U.S. Appl. No. 29/571,238, filed
Jul. 15, 2016, entitled "Vehicle Floor Mat."
Vincent Alesi, et al., co-pending U.S. Appl. No. 29/580,189, filed
Oct. 6, 2016, entitled "Vehicle Floor Mat."
Vincent Alesi, et al., co-pending U.S. Appl. No. 29/580,190, filed
Oct. 6, 2016, entitled "Vehicle Floor Mat."
Vincent Alesi, et al., co-pending U.S. Appl. No. 29/580,191, filed
Oct. 6, 2016, entitled "Vehicle Floor Mat."
Vincent Alesi, et al., co-pending U.S. Appl. No. 29/580,192, filed
Oct. 6, 2016, entitled "Vehicle Floor Mat."

* cited by examiner

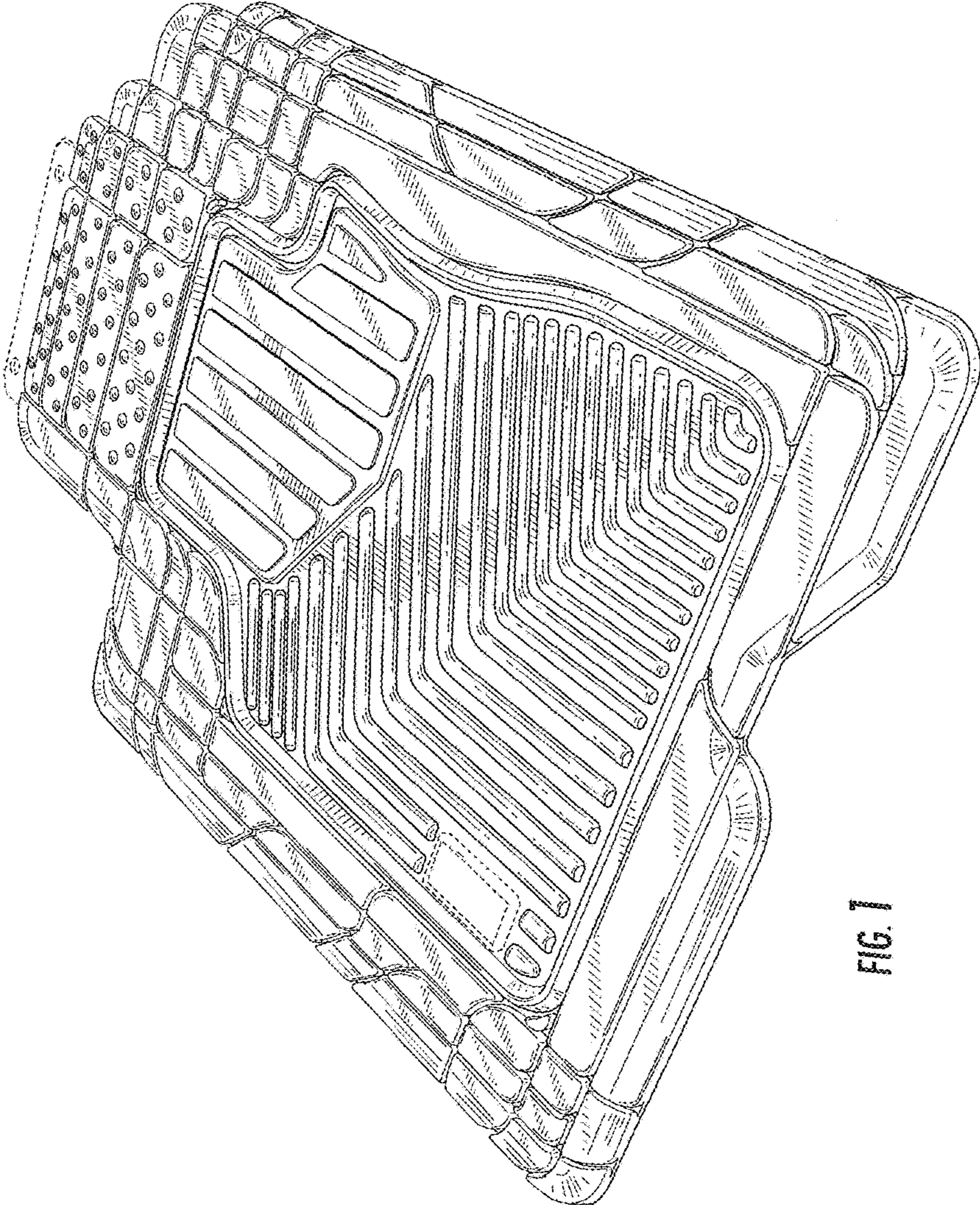


FIG. 1

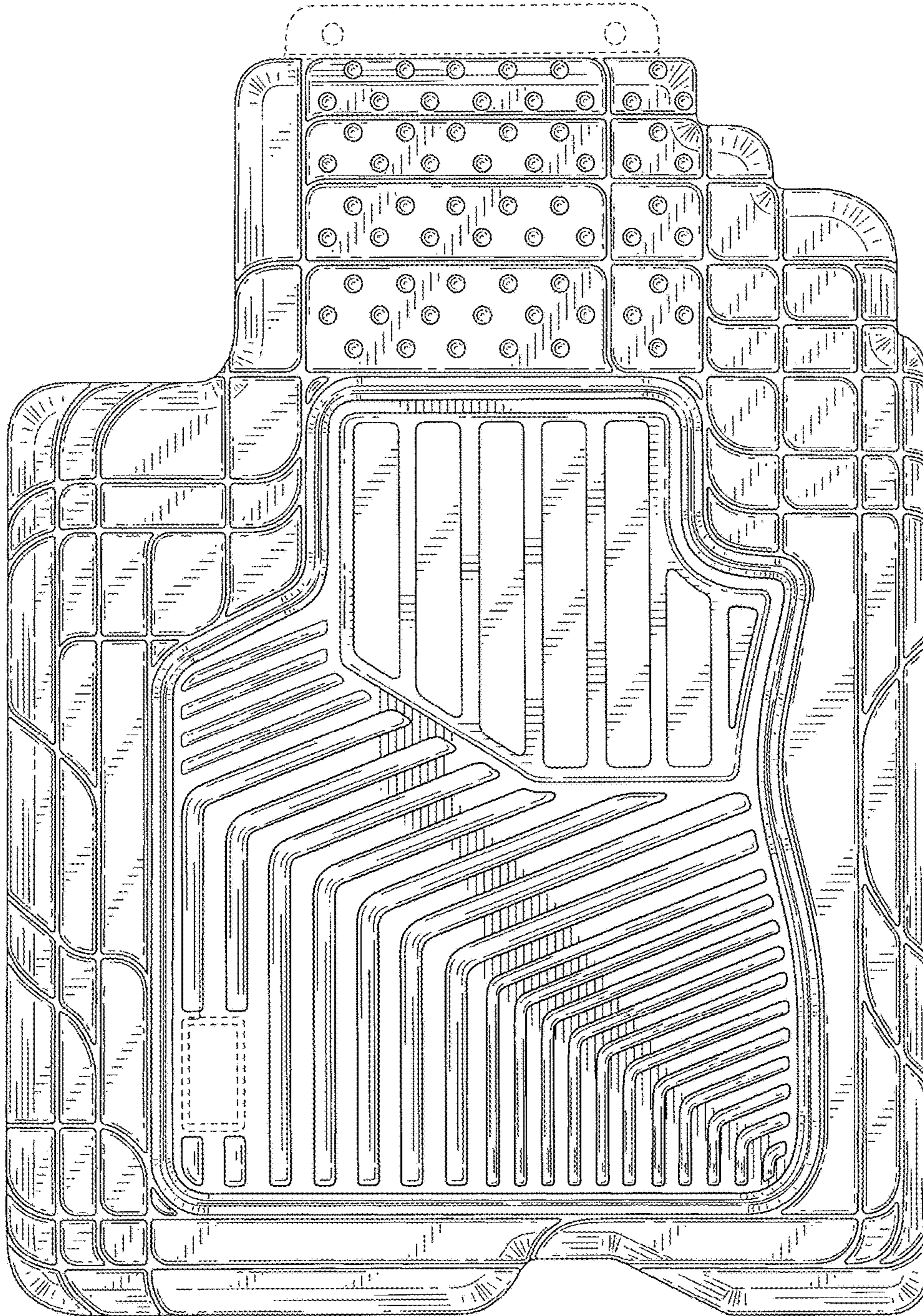


FIG. 2

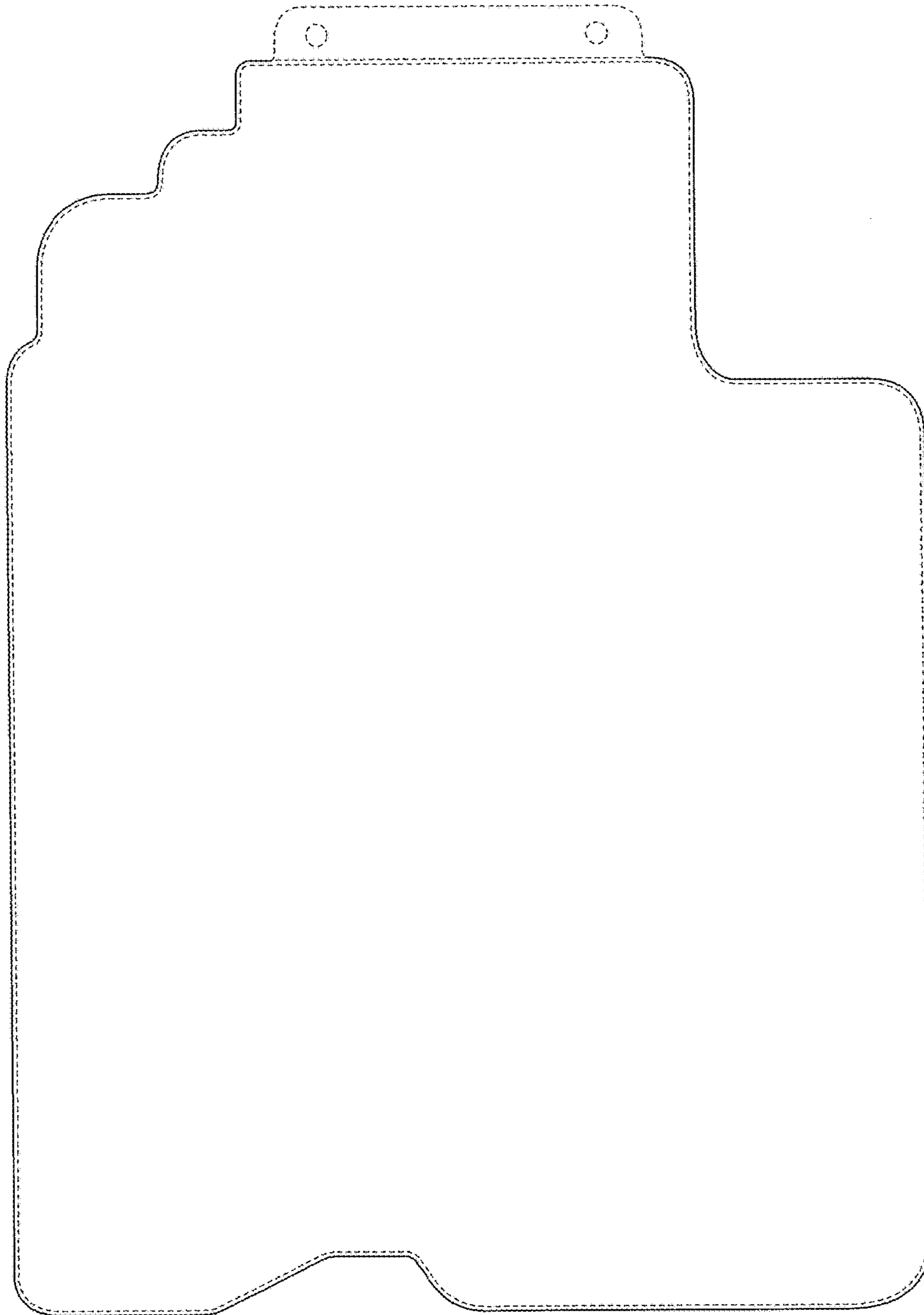


FIG. 3

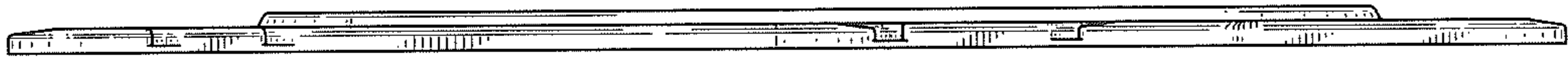


FIG. 4

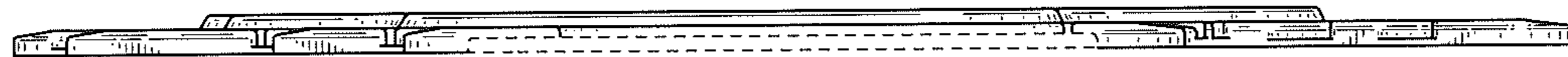


FIG. 5



FIG. 6



FIG. 7