



US00D800039S

(12) **United States Design Patent** (10) **Patent No.:** **US D800,039 S**
Bucher et al. (45) **Date of Patent:** **** Oct. 17, 2017**

(54) **VEHICLE MIRROR**

FOREIGN PATENT DOCUMENTS

(71) Applicant: **Ford Global Technologies, LLC**,
Dearborn, MI (US)

CN 201130309749.1 4/2012
CN 201130309786.2 4/2012

(72) Inventors: **George Bucher**, Dearborn, MI (US);
Dean Carbis, Bloomfield Hills, MI (US)

OTHER PUBLICATIONS

(73) Assignee: **Ford Global Technologies, LLC**,
Dearborn, MI (US)

Brad Anderson <http://www.carscoops.com/2016/02/ford-ecosport-tipped-to-reach-us-shores.html> Ford EcoSport Tipped to Reach US Shores, dated Feb. 13, 2016.

(**) Term: **15 Years**

Unknown <http://www.2017suv.net/2018-ford-ecosport-release-2017-in-usa/> 2018 Ford EcoSport Release 2017 in USA dated Feb. 20, 2016.

(21) Appl. No.: **29/583,110**

(Continued)

(22) Filed: **Nov. 2, 2016**

Primary Examiner — Katrina A Betton

(51) **LOC (10) Cl.** **12-16**

(74) *Attorney, Agent, or Firm* — Damian Porcari

(52) **U.S. Cl.**

(57) **CLAIM**

USPC **D12/187**

The ornamental design for a vehicle mirror, as shown.

(58) **Field of Classification Search**

DESCRIPTION

USPC D12/187, 188–189; D6/300, 309
CPC B60R 1/076; G02B 7/182; G02B 5/08;
G02B 7/18

See application file for complete search history.

FIG. 1 is a top perspective view of the first embodiment of a vehicle mirror, showing our new design; FIG. 2 is a bottom perspective view thereof; FIG. 3 is a top rear perspective view thereof; FIG. 4 is a front elevational view thereof; FIG. 5 is a rear elevational view thereof; FIG. 6 is a left side elevational view thereof; FIG. 7 is a right side elevational view thereof; FIG. 8 is a top plan view thereof; and, FIG. 9 is a bottom plan view thereof.

(56) **References Cited**

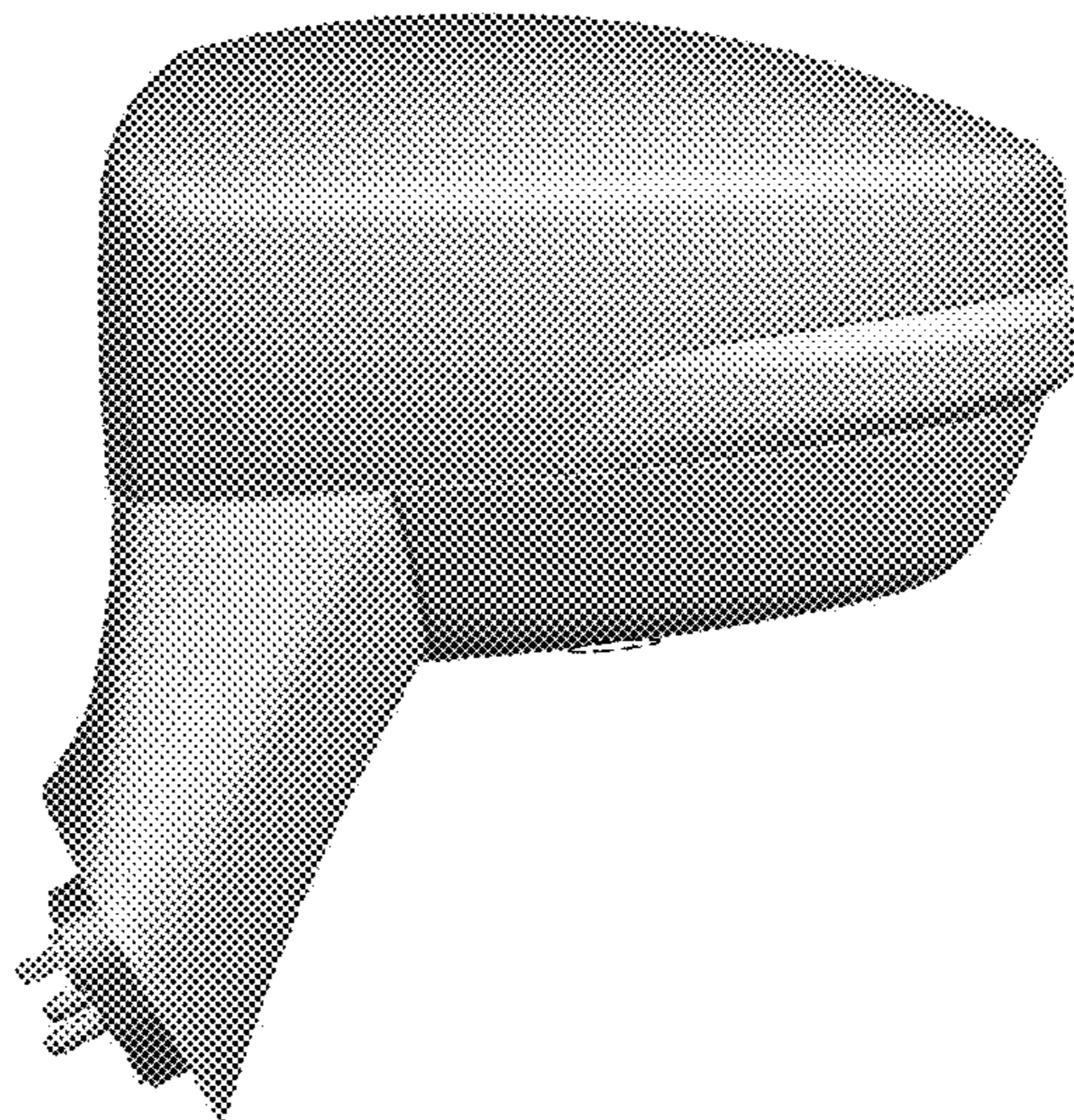
The second embodiment of the vehicle mirror is a mirror image of the first embodiment disclosed in FIGS. 1 through 9 and is not shown.

U.S. PATENT DOCUMENTS

The broken line is included for the purpose of illustrating, and forms no part of the claimed design.

D718,689 S *	12/2014	Blanski	D12/187
D725,014 S *	3/2015	Duff	D12/187
D725,562 S *	3/2015	Beaven	D12/187
D727,230 S *	4/2015	Kao	D12/187
D731,379 S *	6/2015	Behmer	D12/187
D744,918 S *	12/2015	Di Buduo	D12/187
D746,197 S *	12/2015	Nissl	D12/187
D761,173 S *	7/2016	Faghihzadeh	D12/187
D777,068 S *	1/2017	Sterner	D12/187
D782,377 S *	3/2017	Curic	D12/187
D782,379 S *	3/2017	Wassell	D12/187
D783,478 S *	4/2017	Suzuki	D12/187
D786,757 S *	5/2017	Chen	D12/187

1 Claim, 9 Drawing Sheets



(56)

References Cited

OTHER PUBLICATIONS

Brandon Turkus <http://www.autoblog.com/2016/04/25/ford-ecosport-spy-shots-us/> Ford EcoSport spotted in US with Escape-inspired face dated Apr. 25 2016.

Unknown <http://www.oncars.in/car-news/spotod-2017-ford-ecosport-reveals-front-facia-india-launch-by-next-year/10372>

Spotted: 2017 Ford EcoSport reveals front facia; India launch by next year dated Apr. 28, 2016.

* cited by examiner

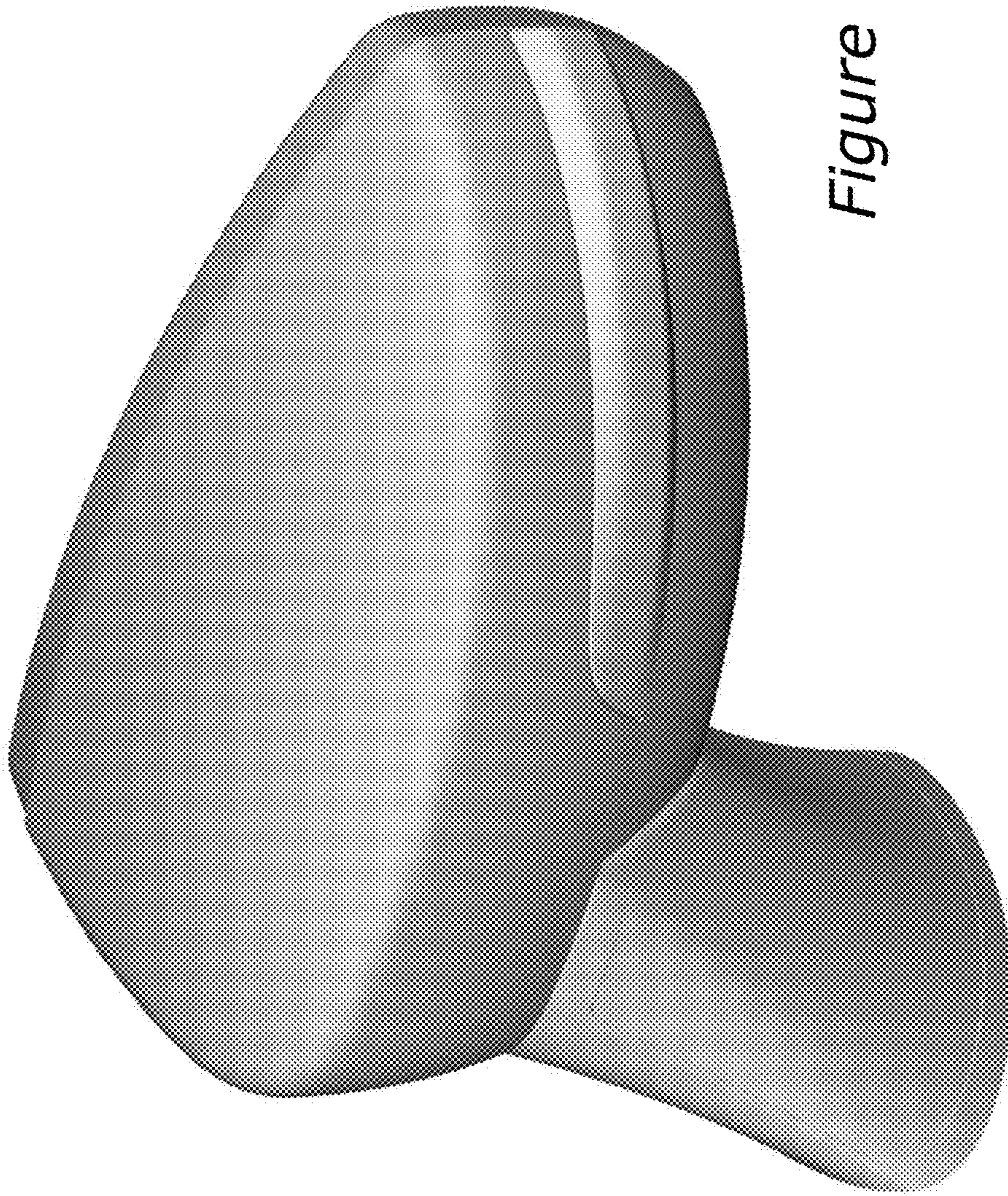


Figure 1

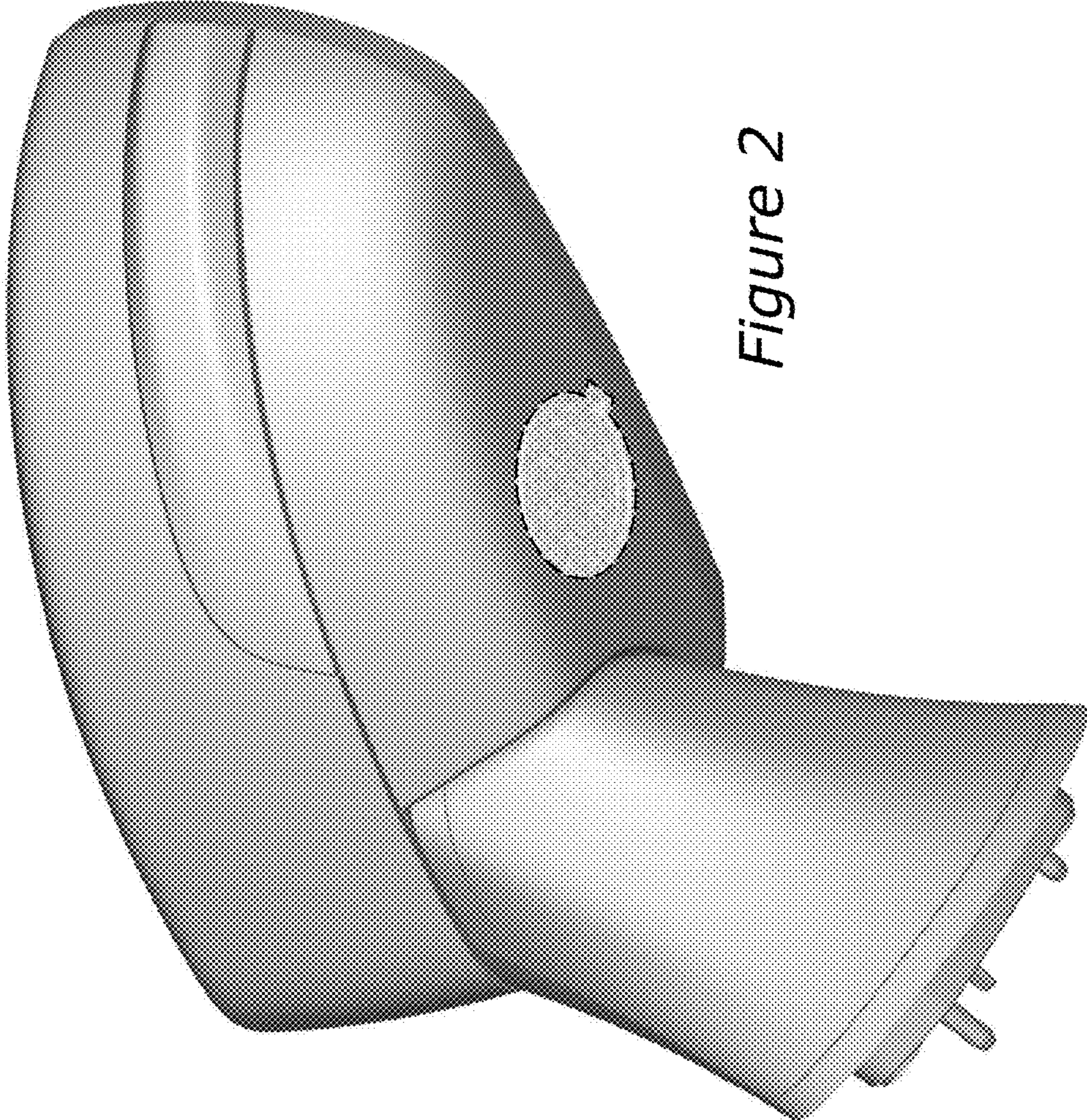


Figure 2

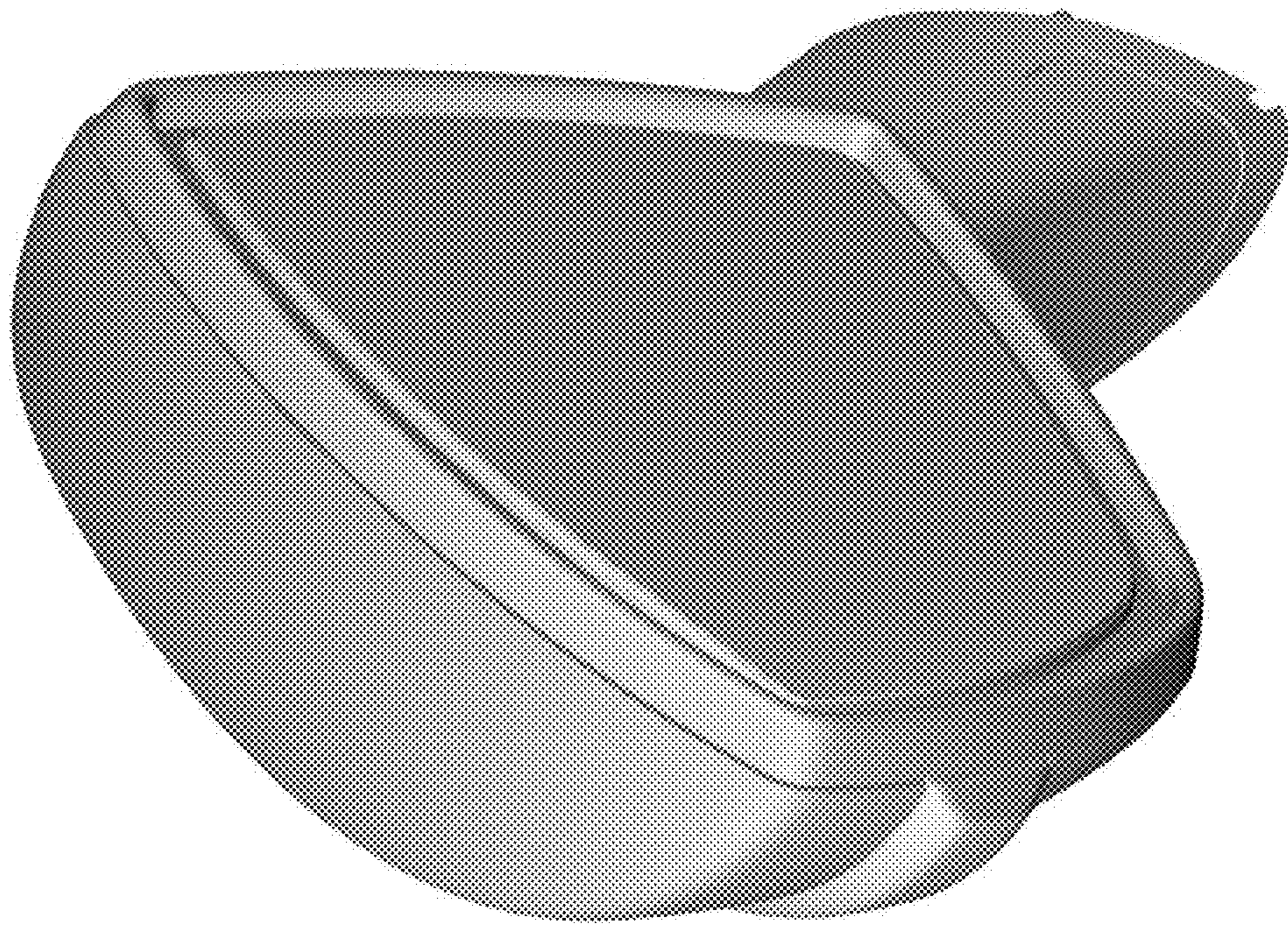


Figure 3

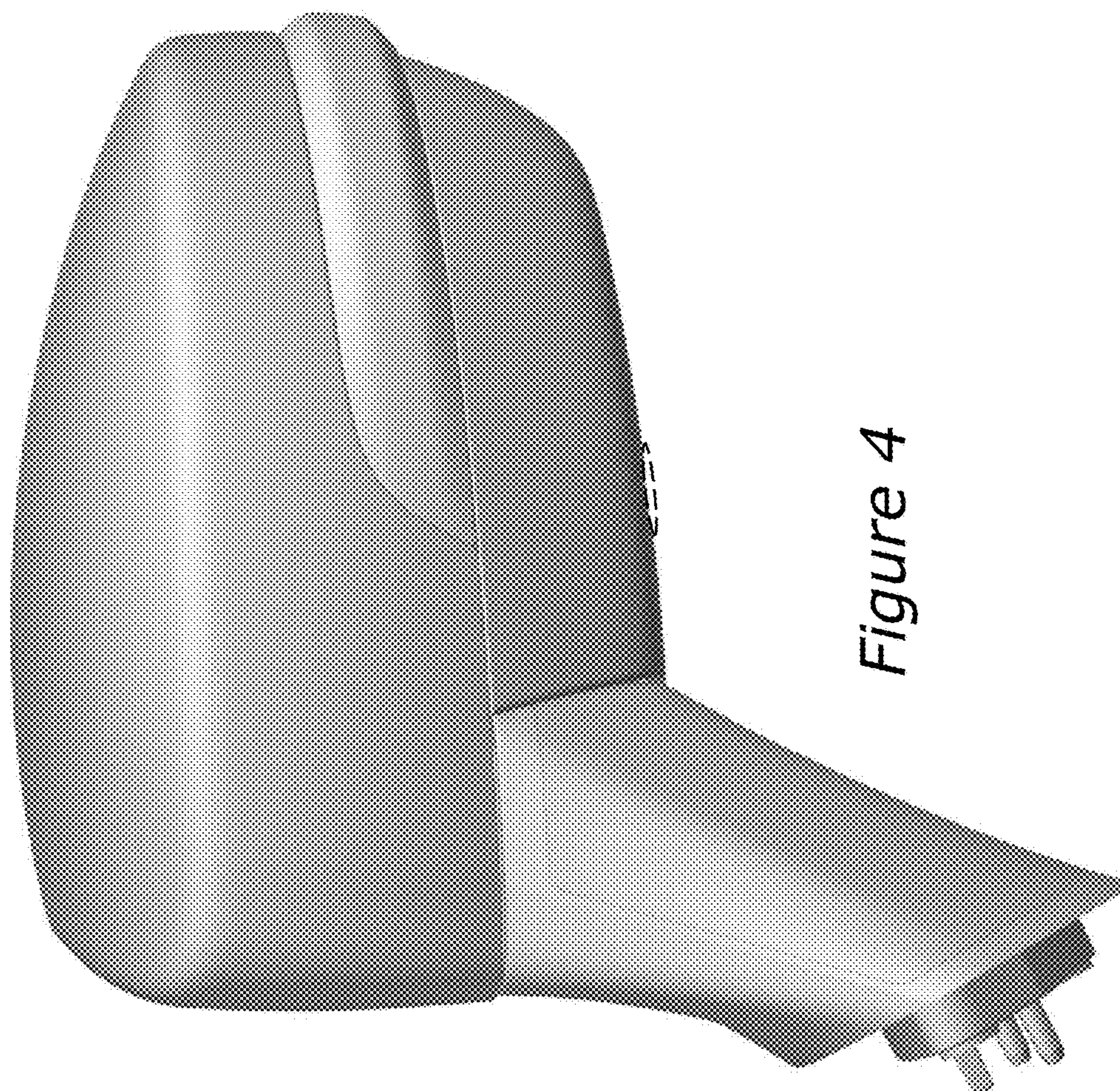


Figure 4

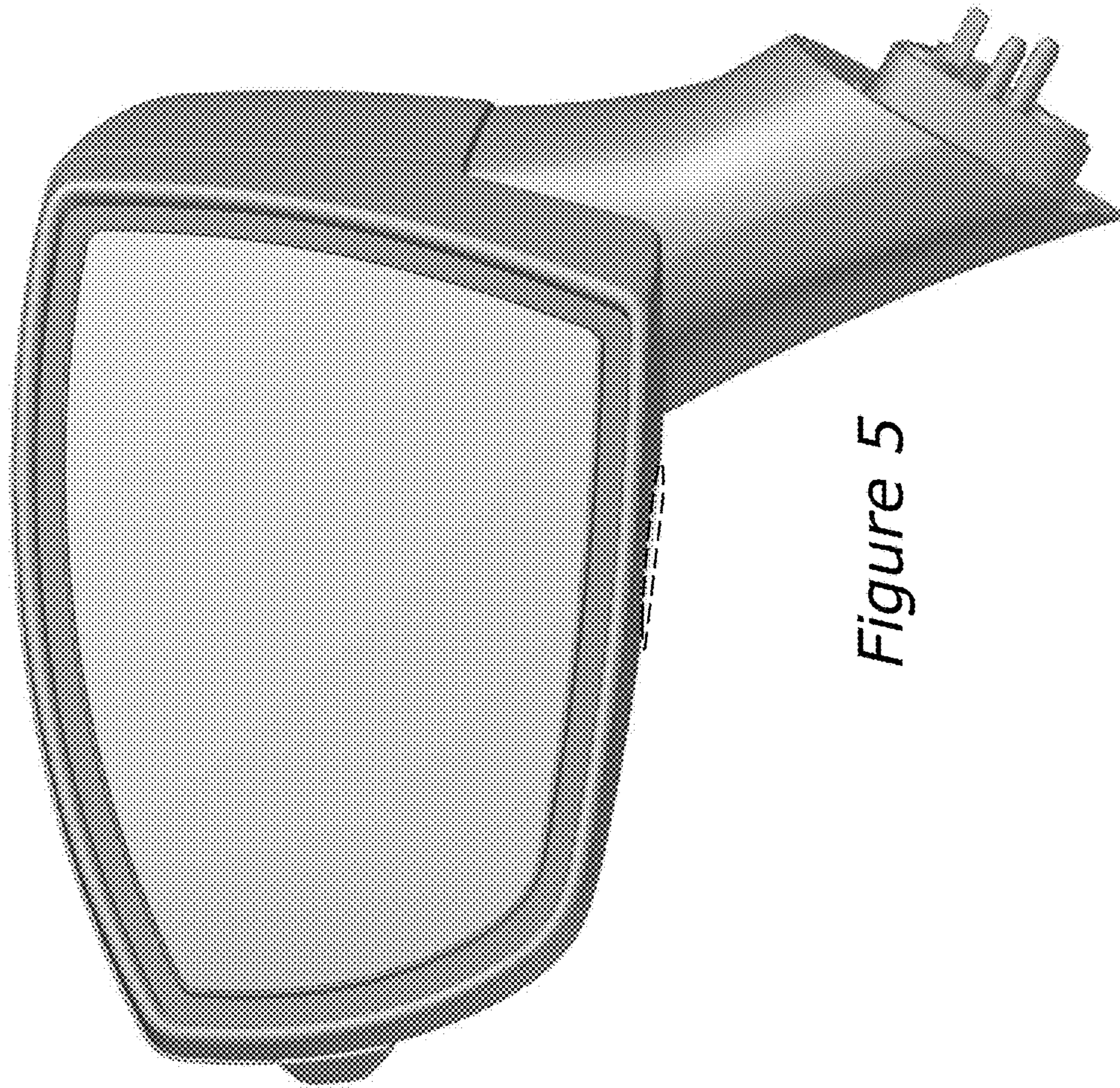


Figure 5

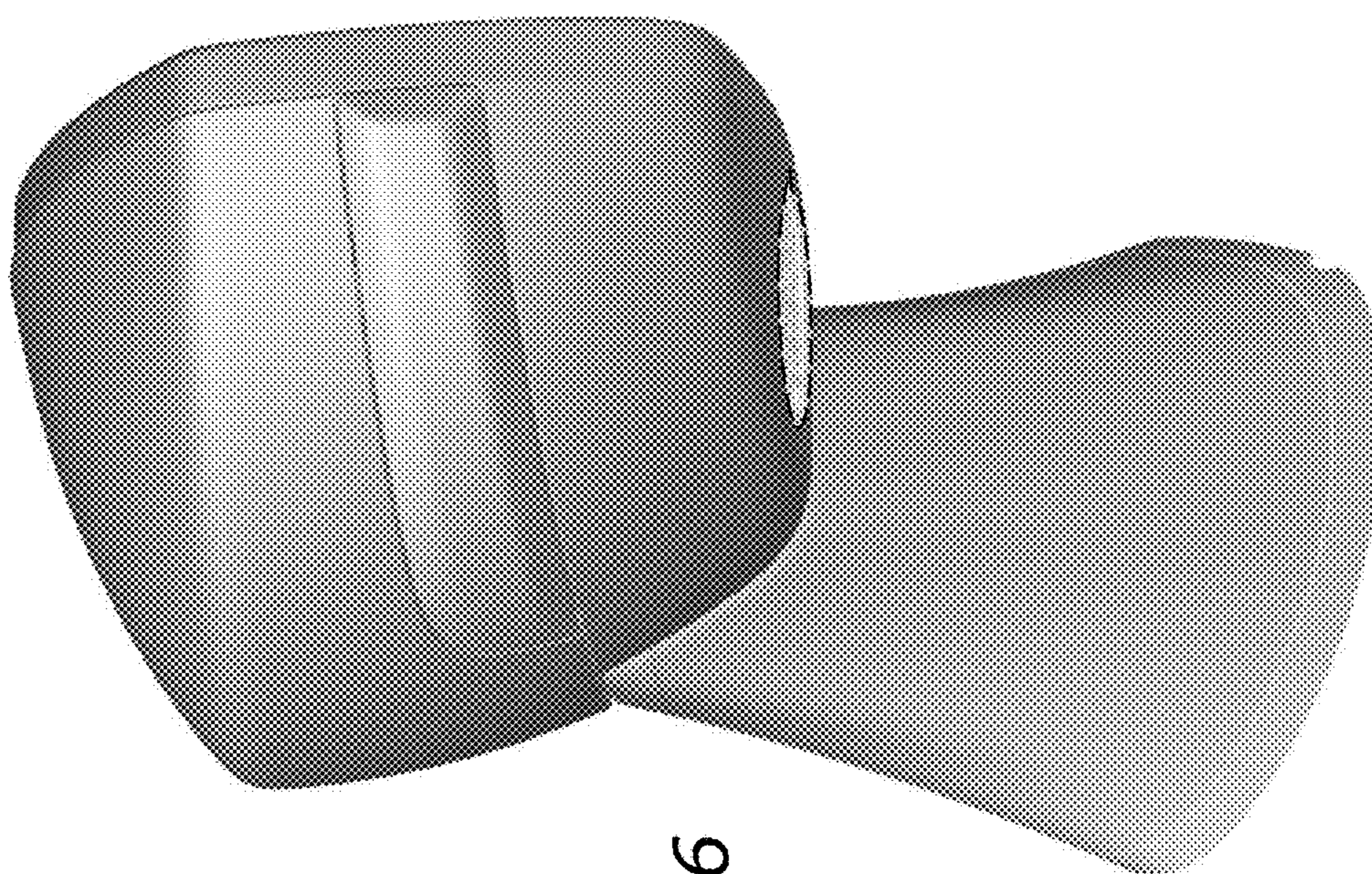
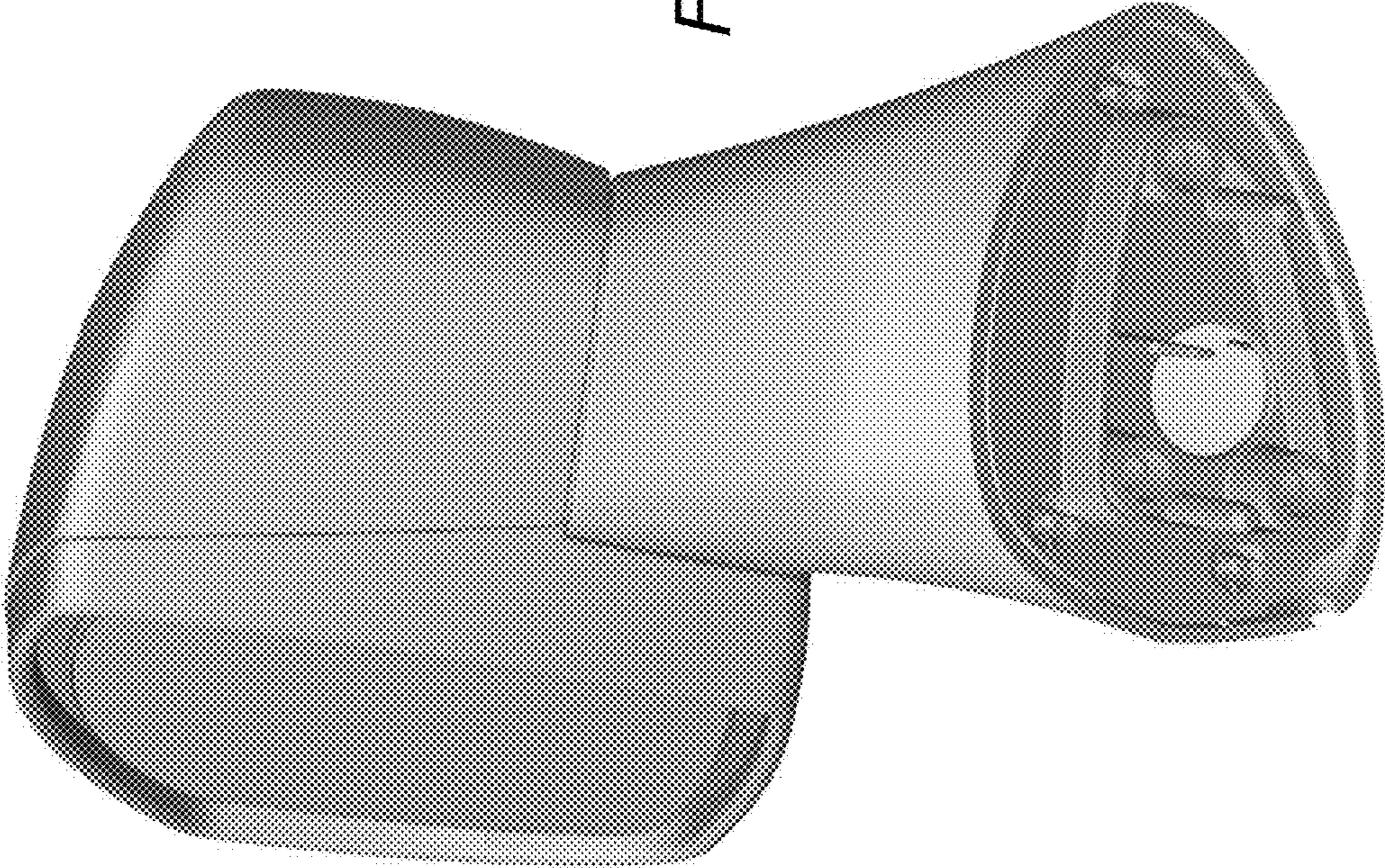


Figure 6

Figure 7



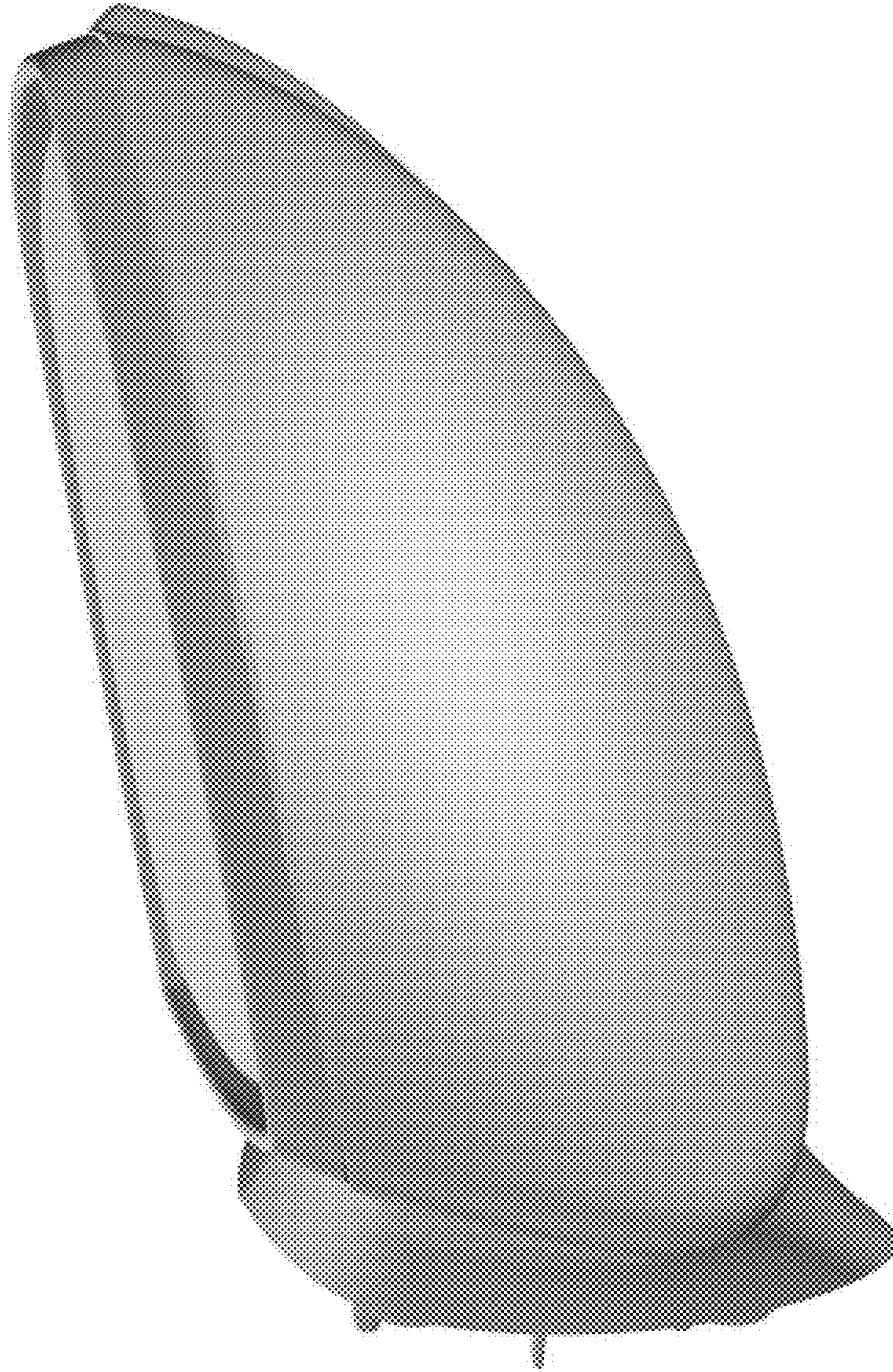


Figure 8

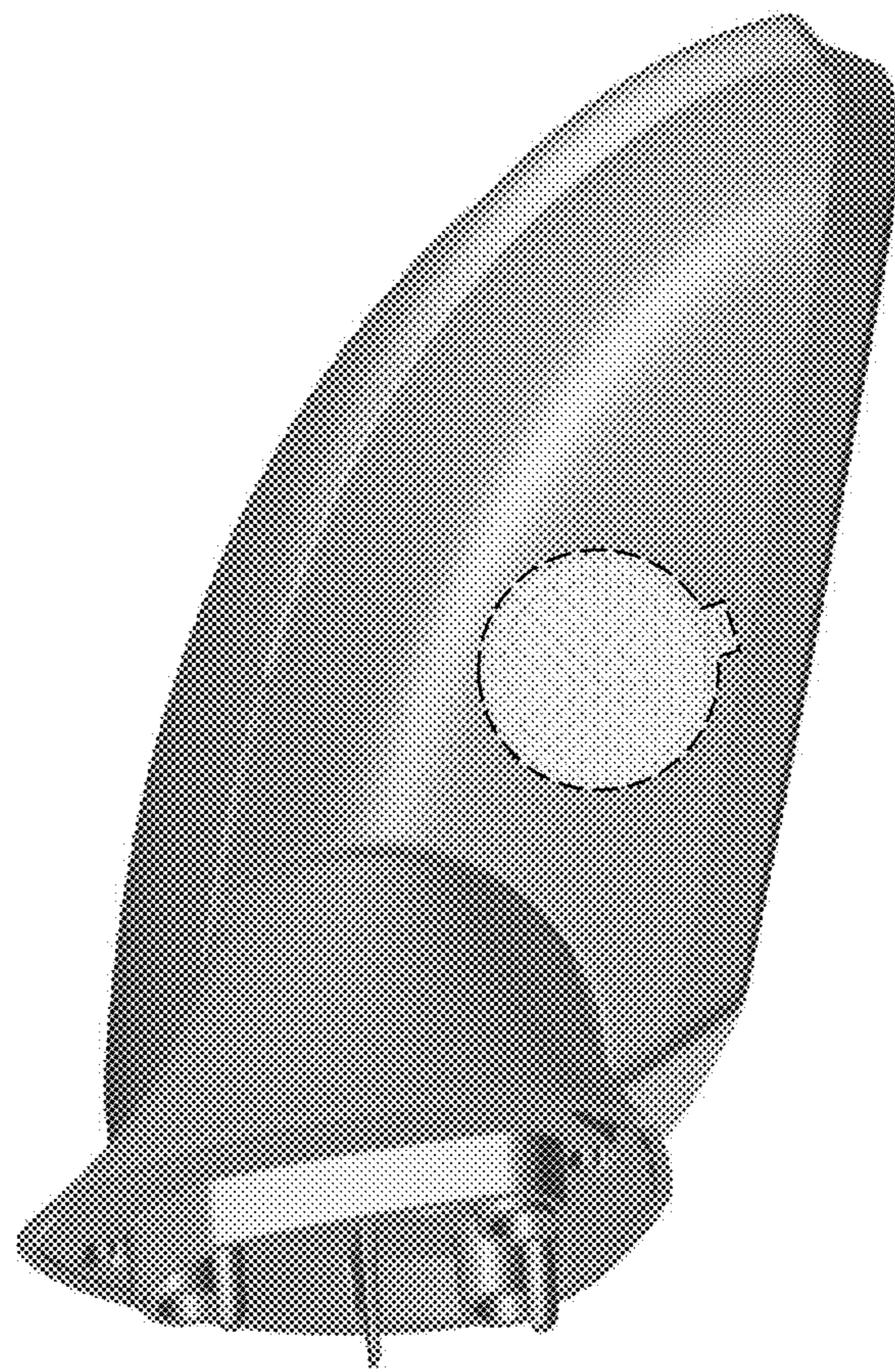


Figure 9