



US00D800036S

(12) **United States Design Patent** (10) **Patent No.:** **US D800,036 S**  
**Bennett et al.** (45) **Date of Patent:** **\*\* \*Oct. 17, 2017**

(54) **FRONT BUMPER FOR A VEHICLE**

(71) Applicant: **Omix-Ada, Inc.**, Suwanee, GA (US)

(72) Inventors: **Patrick W. Bennett**, Gainesville, GA (US); **Alain M. Eboli, Jr.**, Suwanee, GA (US)

(73) Assignee: **Omix-ADA, Inc.**, Suwanee, GA (US)

(\* ) Notice: This patent is subject to a terminal disclaimer.

(\*\*) Term: **15 Years**

(21) Appl. No.: **29/579,007**

(22) Filed: **Sep. 27, 2016**

**Related U.S. Application Data**

(62) Division of application No. 29/544,317, filed on Nov. 2, 2015, now Pat. No. Des. 776,582.

(51) **LOC (10) Cl.** ..... **12-08**

(52) **U.S. Cl.**  
USPC ..... **D12/169**

(58) **Field of Classification Search**  
USPC ..... D12/86-92, 163-172; 293/102-155;  
296/35.2, 193.09, 193.1, 203.02  
CPC ..... B60R 19/02; B60R 19/023; B60R 19/18;  
B60R 19/24; B60R 19/44; B60R 19/48;  
B60R 19/56; B60R 2019/527; B60R  
2019/1886

See application file for complete search history.

(56) **References Cited**

**U.S. PATENT DOCUMENTS**

1,531,022 A	3/1925	Pancoast
D100,599 S	7/1936	Fitness
D109,385 S	4/1938	Bade
D115,146 S	1/1939	Falcon
D116,071 S	8/1939	Walklet
D127,664 S	6/1941	Walker

D137,040 S	1/1944	Cadwallader	
2,731,289 A	1/1956	Corydon, II	
D300,128 S *	3/1989	Brennan	D12/169
D375,067 S *	10/1996	Bronstein	D12/169
D454,817 S *	3/2002	McGuinness	D12/171
D462,640 S	9/2002	Sakae	
6,520,553 B2	2/2003	Muramatsu	
D473,167 S	4/2003	Shiono	
D473,168 S	4/2003	Hayashi	
D497,853 S	11/2004	Yanase	
D498,716 S	11/2004	Maeda et al.	
D503,133 S	3/2005	Pfeiffer et al.	

(Continued)

**OTHER PUBLICATIONS**

Olsewski, Steven. "SEMA 2015: Omix-Ada Brings Something New, Something Old to SEMA." offroadextreme.com. Nov. 10, 2015. Accessed Apr. 10, 2017. Available online at URL: <<http://www.offroadxtreme.com/features/sema-coverage/sema-2015-omix-ada-brings-something-new-something-old-to-sema/>>.\*

*Primary Examiner* — Cathron Brooks

*Assistant Examiner* — Christian P McLean

(74) *Attorney, Agent, or Firm* — Womble Carlyle Sandridge & Rice LLP

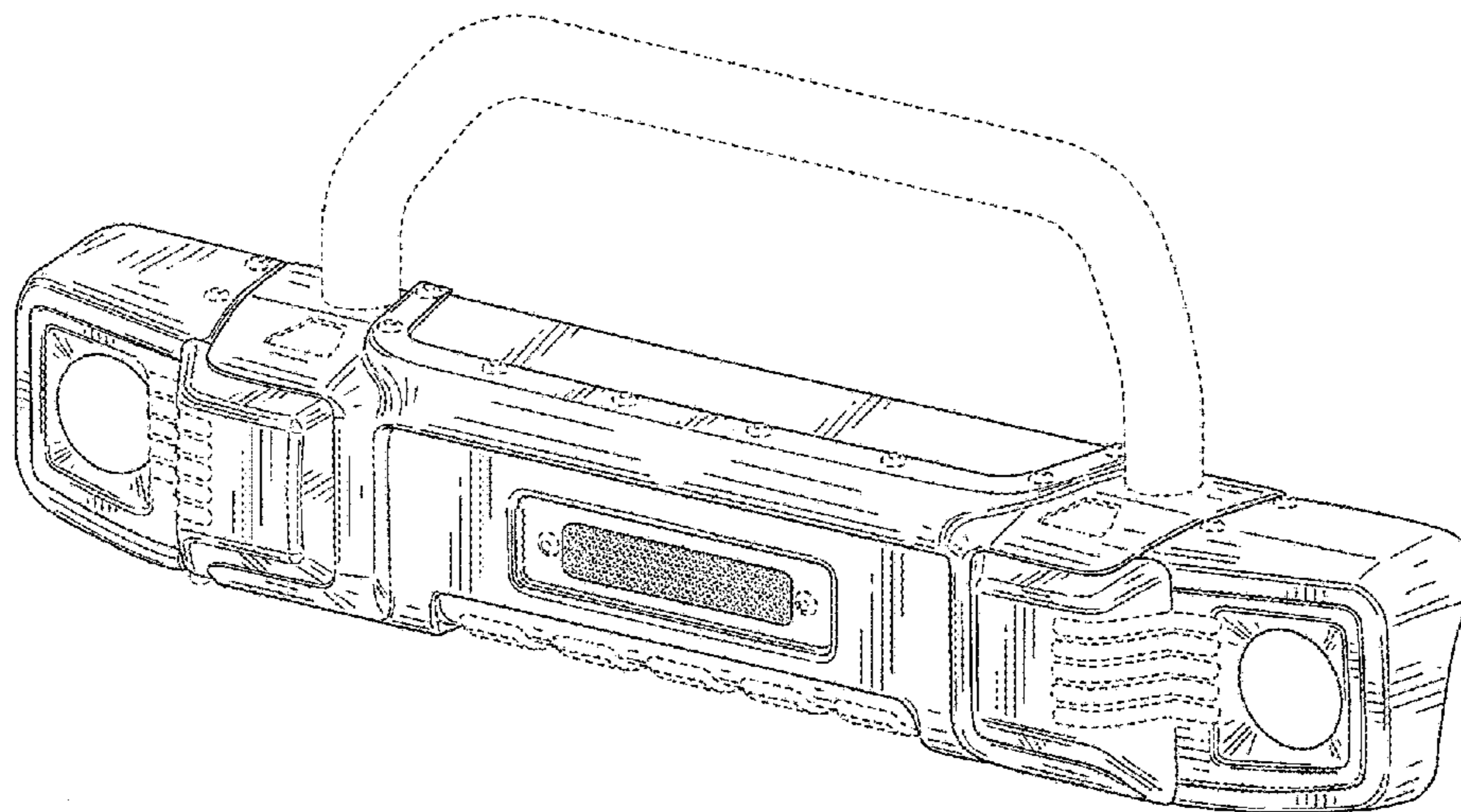
(57) **CLAIM**

The ornamental design for a front bumper for a vehicle, as shown and described.

**DESCRIPTION**

FIG. 1 is a perspective view of a front bumper for a vehicle showing our new design;  
FIG. 2 is a front elevation thereof;  
FIG. 3 is a rear elevation thereof;  
FIG. 4 is a top plan view thereof;  
FIG. 5 is a bottom plan view thereof;  
FIG. 6 is a right side elevation view thereof; and,  
FIG. 7 is a left side elevation view thereof.  
The broken lines illustrate portions of the front bumper for a vehicle that form no part of the claimed design.

**1 Claim, 5 Drawing Sheets**



(56)

References Cited

U.S. PATENT DOCUMENTS

D503,134 S 3/2005 Pfeiffer et al.  
 D508,441 S \* 8/2005 Moushegian ..... D12/86  
 D513,213 S 12/2005 Sato  
 D515,991 S 2/2006 Hanaoka  
 D531,940 S \* 11/2006 McCuller ..... D12/169  
 D534,105 S 12/2006 Schiavone et al.  
 D534,106 S 12/2006 Matei  
 D535,594 S 1/2007 Schiavone et al.  
 D537,391 S 2/2007 Shimoguchi et al.  
 D538,208 S 3/2007 Golden et al.  
 D540,723 S 4/2007 Schiavone et al.  
 D541,709 S 5/2007 Lau et al.  
 D541,712 S 5/2007 Golden et al.  
 D544,418 S 6/2007 Kono  
 D556,649 S 12/2007 Beigel et al.  
 D565,466 S \* 4/2008 Moushegian ..... D12/91  
 D570,748 S 6/2008 Nakamura et al.  
 D600,602 S 9/2009 Endoh  
 D604,678 S 11/2009 Walter et al.  
 D647,013 S \* 10/2011 Ito ..... D12/169  
 D649,088 S \* 11/2011 Hu ..... D12/87  
 D649,909 S \* 12/2011 Mullen ..... D12/86  
 D664,485 S 7/2012 Xu et al.

D668,594 S 10/2012 Davidson et al.  
 D670,623 S 11/2012 Koehl et al.  
 D678,139 S 3/2013 Aikawa et al.  
 D679,226 S 4/2013 Schmeckpeper  
 D682,169 S 5/2013 Choi  
 D683,281 S \* 5/2013 Harriton ..... D12/169  
 D684,904 S 6/2013 Tase et al.  
 D686,119 S 7/2013 Futschik et al.  
 D690,630 S 10/2013 Kazama  
 D693,279 S 11/2013 Dunkel  
 D695,167 S 12/2013 Platto et al.  
 D697,842 S \* 1/2014 Harriton ..... D12/167  
 D732,443 S 6/2015 Won  
 D733,019 S 6/2015 Burki et al.  
 D734,689 S \* 7/2015 Hashimoto ..... D12/14  
 D737,181 S \* 8/2015 Smith ..... D12/169  
 D744,384 S \* 12/2015 Harriton ..... D12/169  
 D744,386 S \* 12/2015 Harriton ..... D12/169  
 D744,387 S \* 12/2015 Harriton ..... D12/169  
 D744,389 S 12/2015 Kawasaki  
 D760,133 S \* 6/2016 Bennett ..... D12/171  
 D775,013 S \* 12/2016 Bennett ..... D12/169  
 D775,032 S \* 12/2016 Palmer ..... D12/190  
 D776,582 S \* 1/2017 Bennett ..... D12/169  
 D777,619 S \* 1/2017 Barajas ..... D12/167  
 D782,935 S \* 4/2017 Knox ..... D12/87

\* cited by examiner

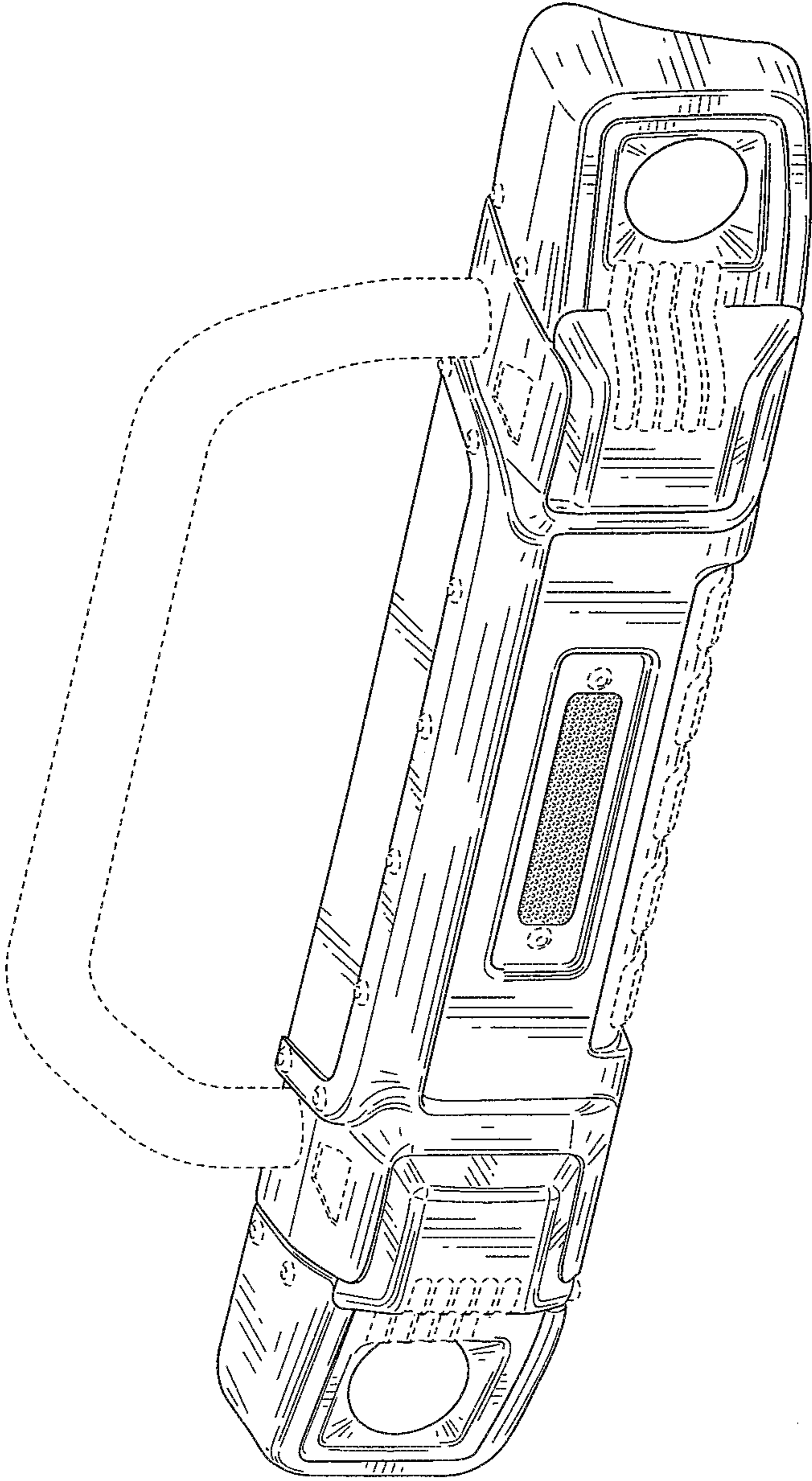


Fig. 1

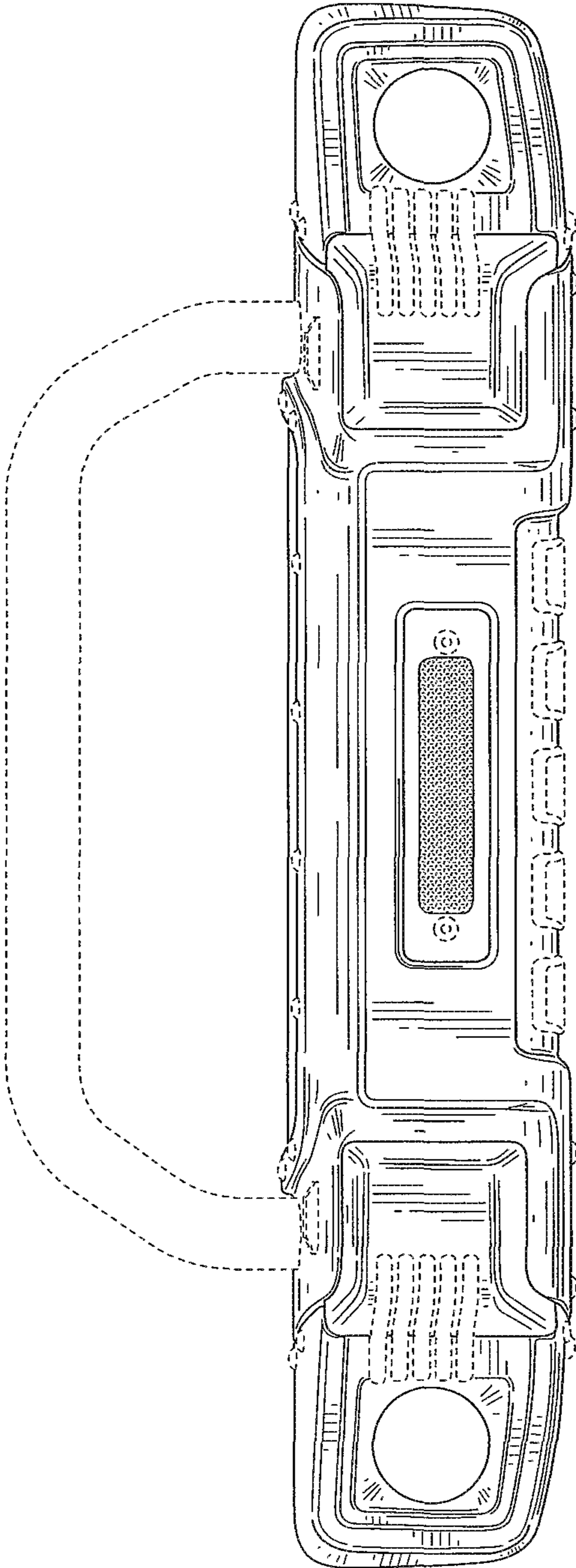


Fig. 2

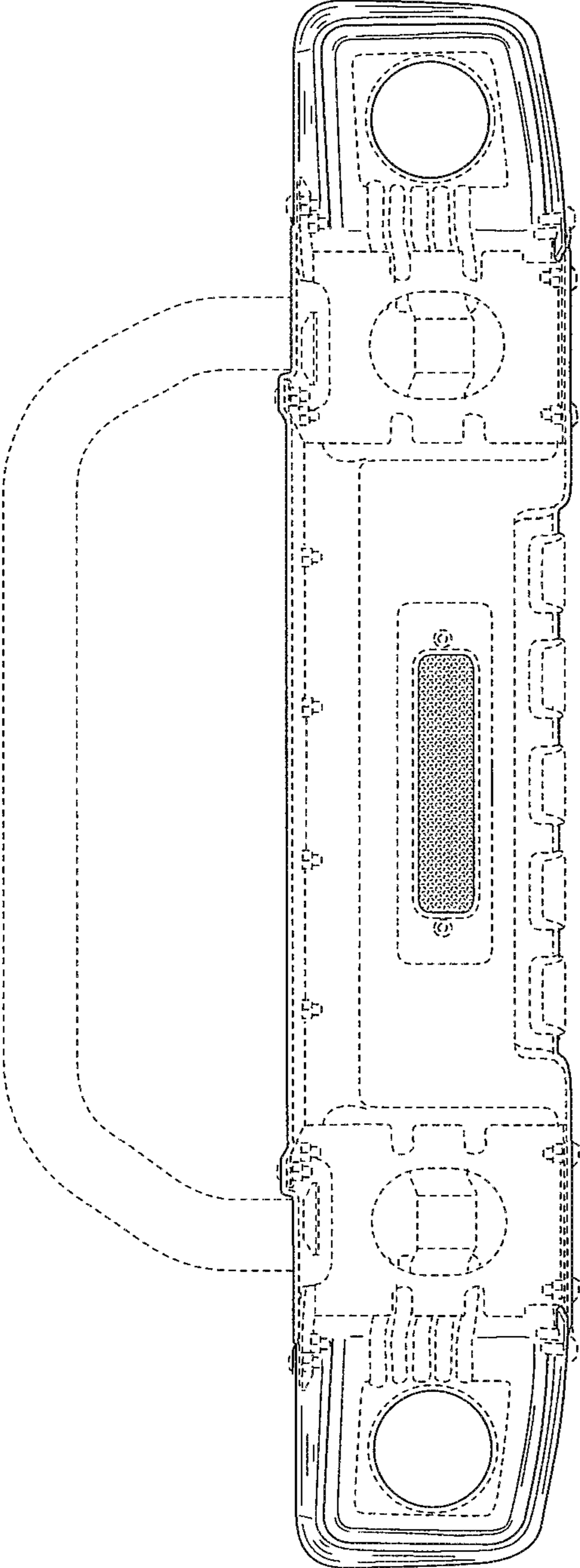
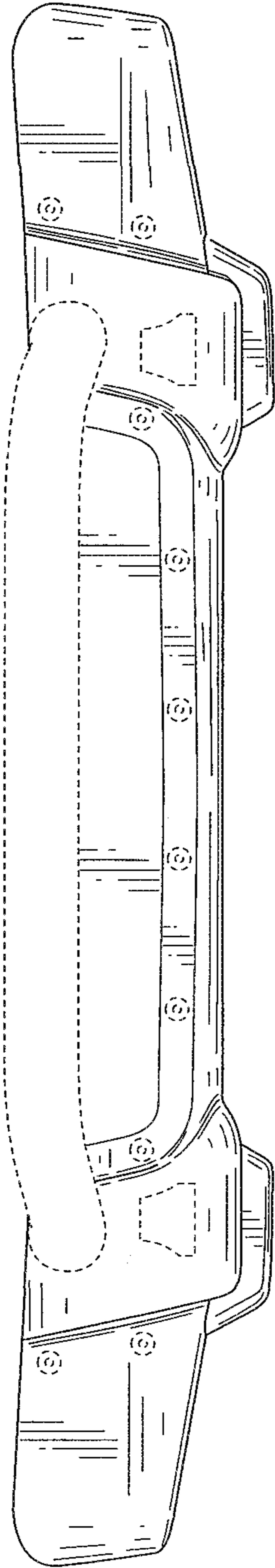
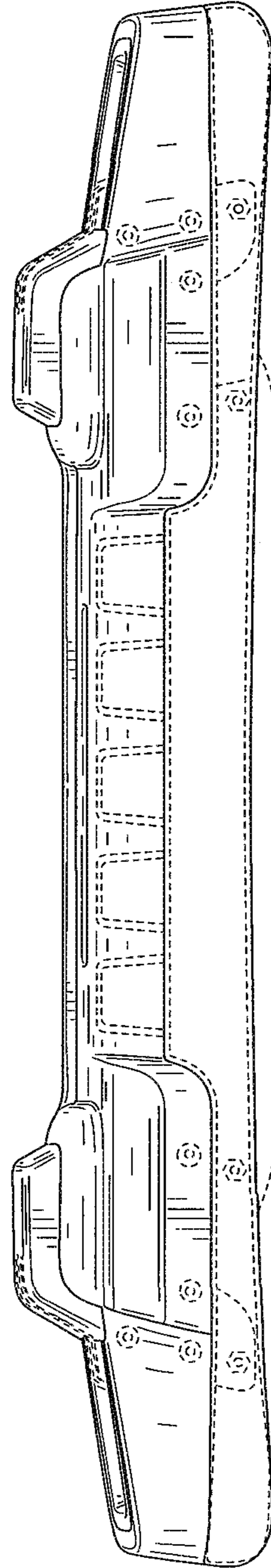


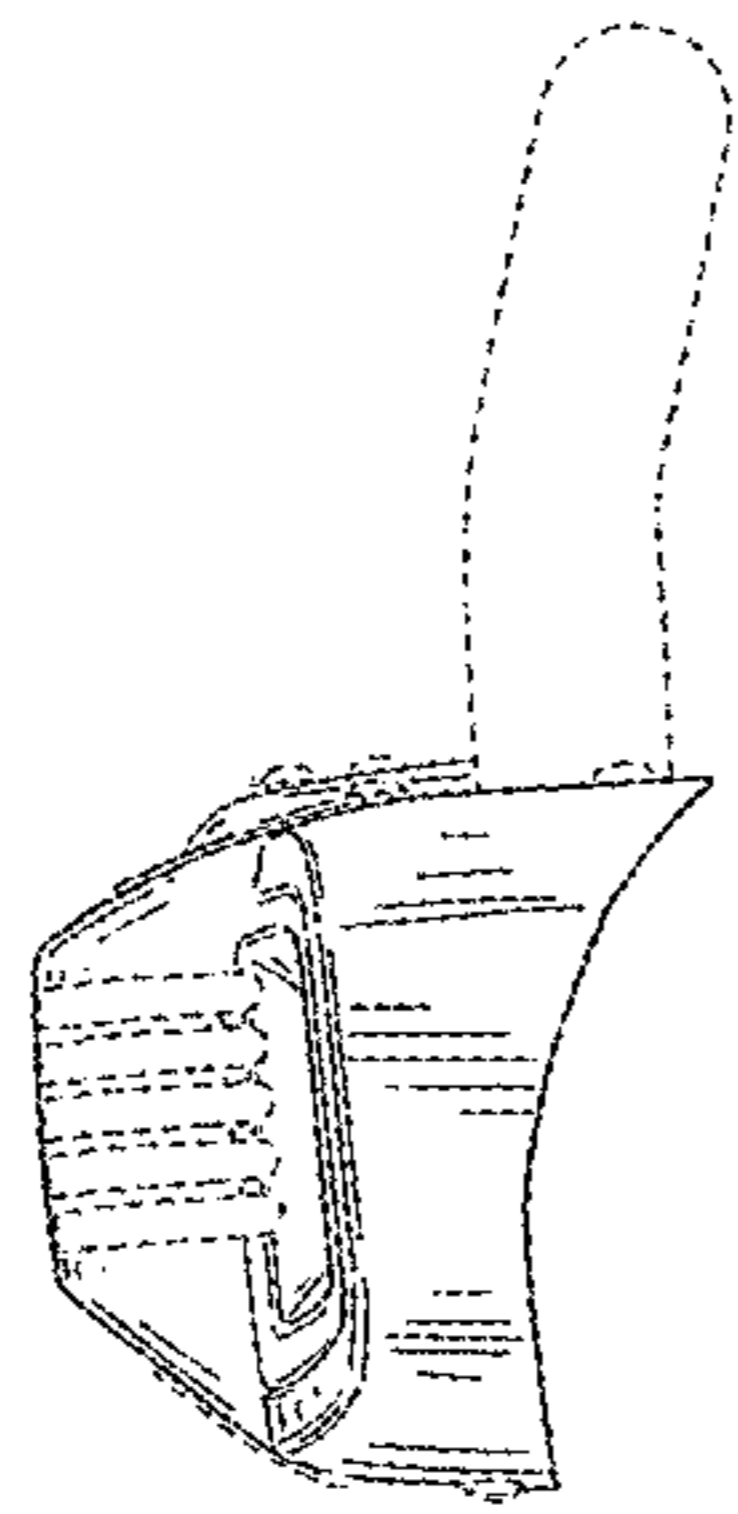
Fig. 3



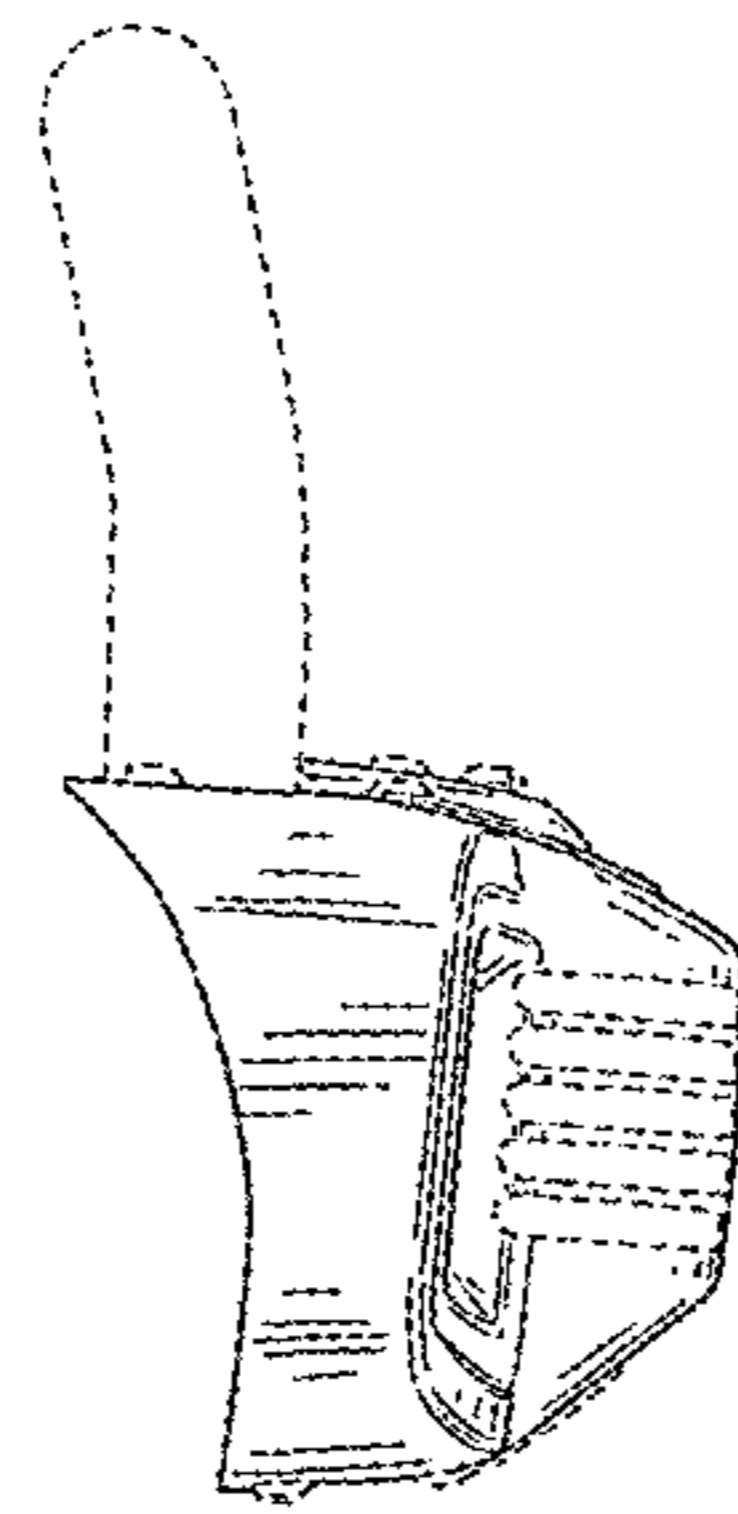
**Fig. 4**



**Fig. 5**



**Fig. 6**



**Fig. 7**