

US00D800029S

(12) **United States Design Patent** (10) **Patent No.:** **US D800,029 S**
Jung (45) **Date of Patent:** **** Oct. 17, 2017**

(54) **FRONT BUMPER OF CAR**
(71) Applicant: **GM GLOBAL TECHNOLOGY OPERATIONS LLC**, Detroit, MI (US)
(72) Inventor: **Jaekyung Jung**, Incheon (KR)
(73) Assignee: **GM GLOBAL TECHNOLOGY OPERATIONS LLC**, Detroit, MI (US)
(**) Term: **15 Years**
(21) Appl. No.: **29/565,121**
(22) Filed: **May 18, 2016**
(30) **Foreign Application Priority Data**
Nov. 20, 2015 (KR) 30-2015-0058659
(51) **LOC (10) Cl.** **12-16**
(52) **U.S. Cl.**
USPC **D12/169**
(58) **Field of Classification Search**
USPC D12/169, 216, 90-92, 86, 171, 196, 163;
293/102, 113, 115, 117, 120; 296/180.1,
296/180.2
CPC B60R 19/02; B60R 19/04; B62D 25/08
See application file for complete search history.

(56) **References Cited**
U.S. PATENT DOCUMENTS
D701,476 S * 3/2014 Kurisu D12/169
D721,624 S * 1/2015 George D12/169
D745,446 S * 12/2015 Takahashi D12/169
D756,276 S * 5/2016 Minamisawa D12/169

* cited by examiner
Primary Examiner — Melody N Brown
(74) *Attorney, Agent, or Firm* — Bowdy and Neimark, PLLC

(57) **CLAIM**
The ornamental design for a front bumper of car, as shown and described.

DESCRIPTION
FIG. 1 is a perspective view of new design for a front bumper of car as shown in the drawings;
FIG. 2 is a front elevation view thereof;
FIG. 3 is a rear elevation view thereof;
FIG. 4 is a left side elevation view thereof;
FIG. 5 is a right side elevation view thereof;
FIG. 6 is a top plan view thereof; and,
FIG. 7 is a bottom plan view thereof.

1 Claim, 4 Drawing Sheets

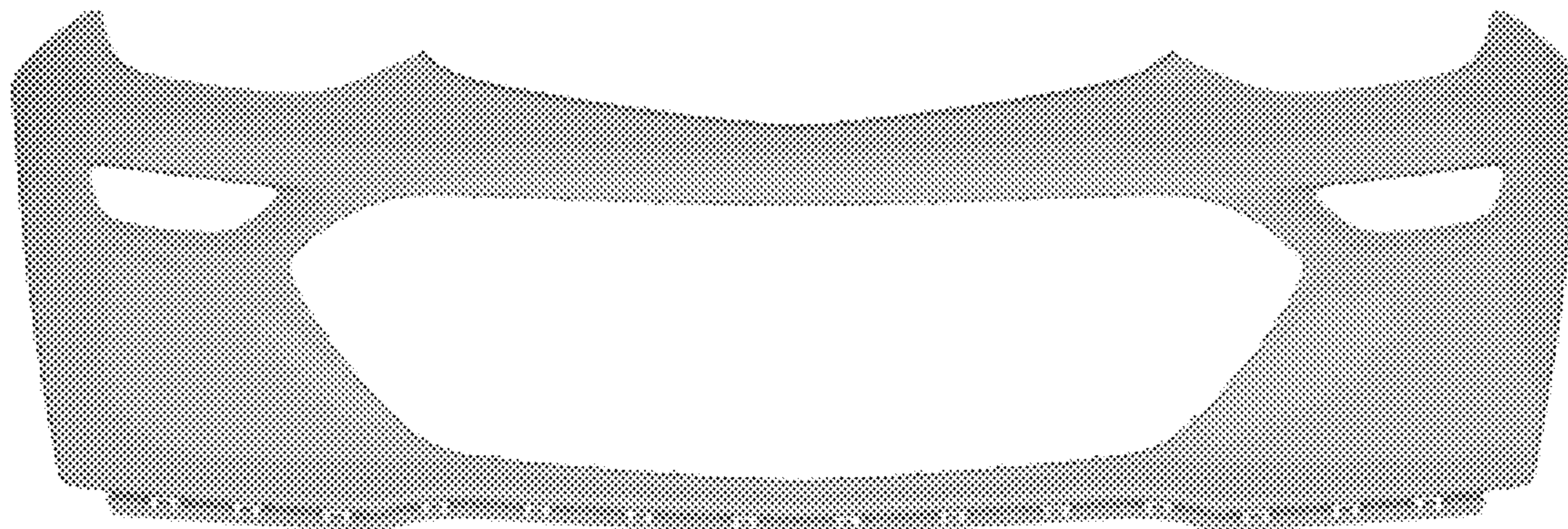


Fig. 1

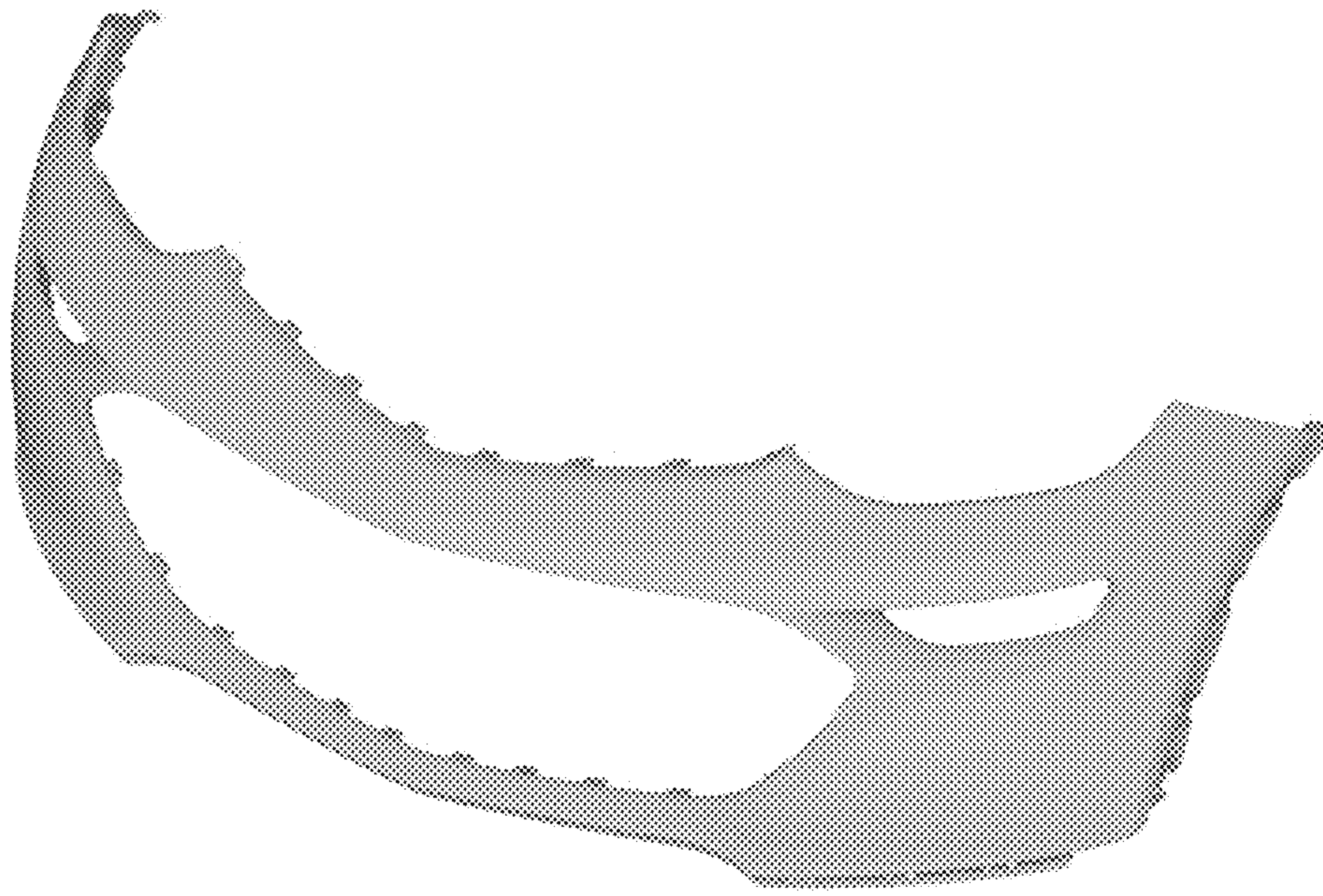


Fig. 2

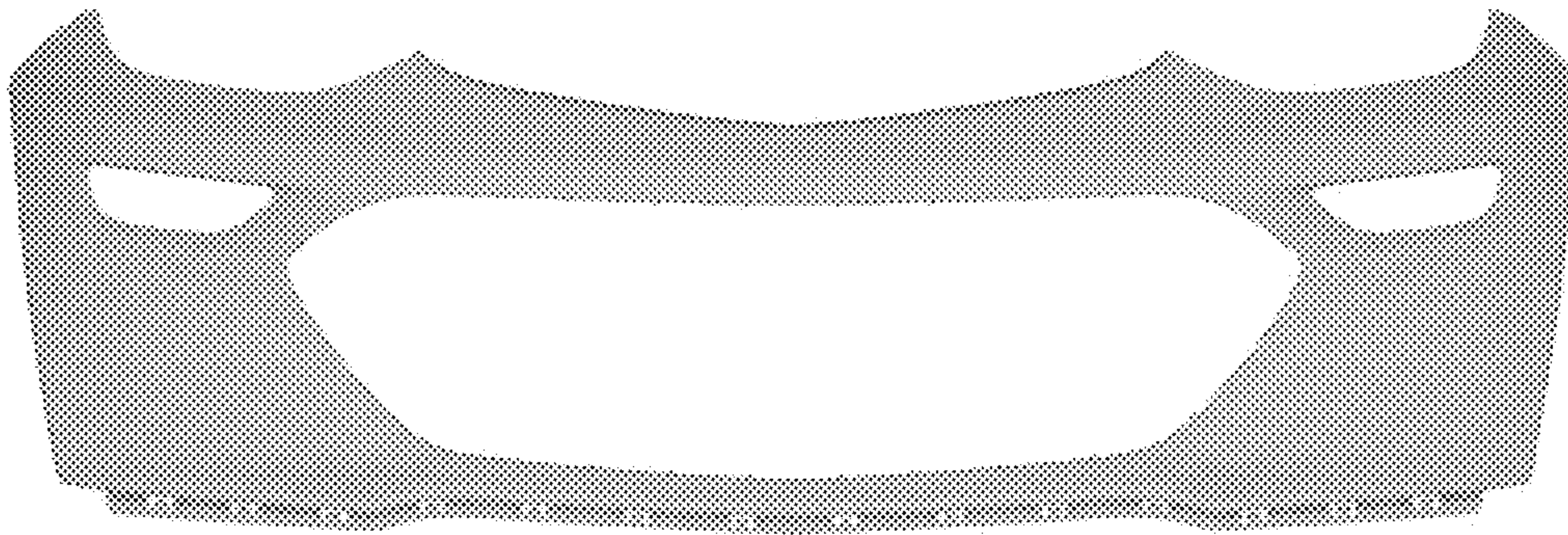


Fig. 3

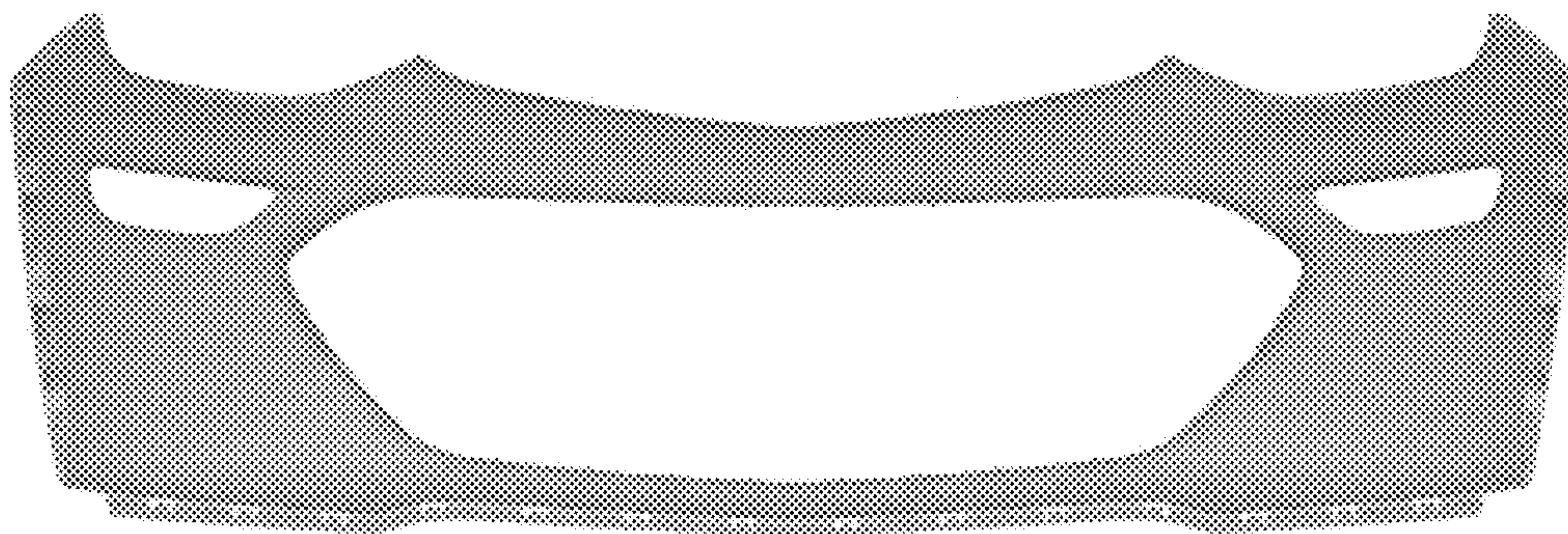


Fig. 4

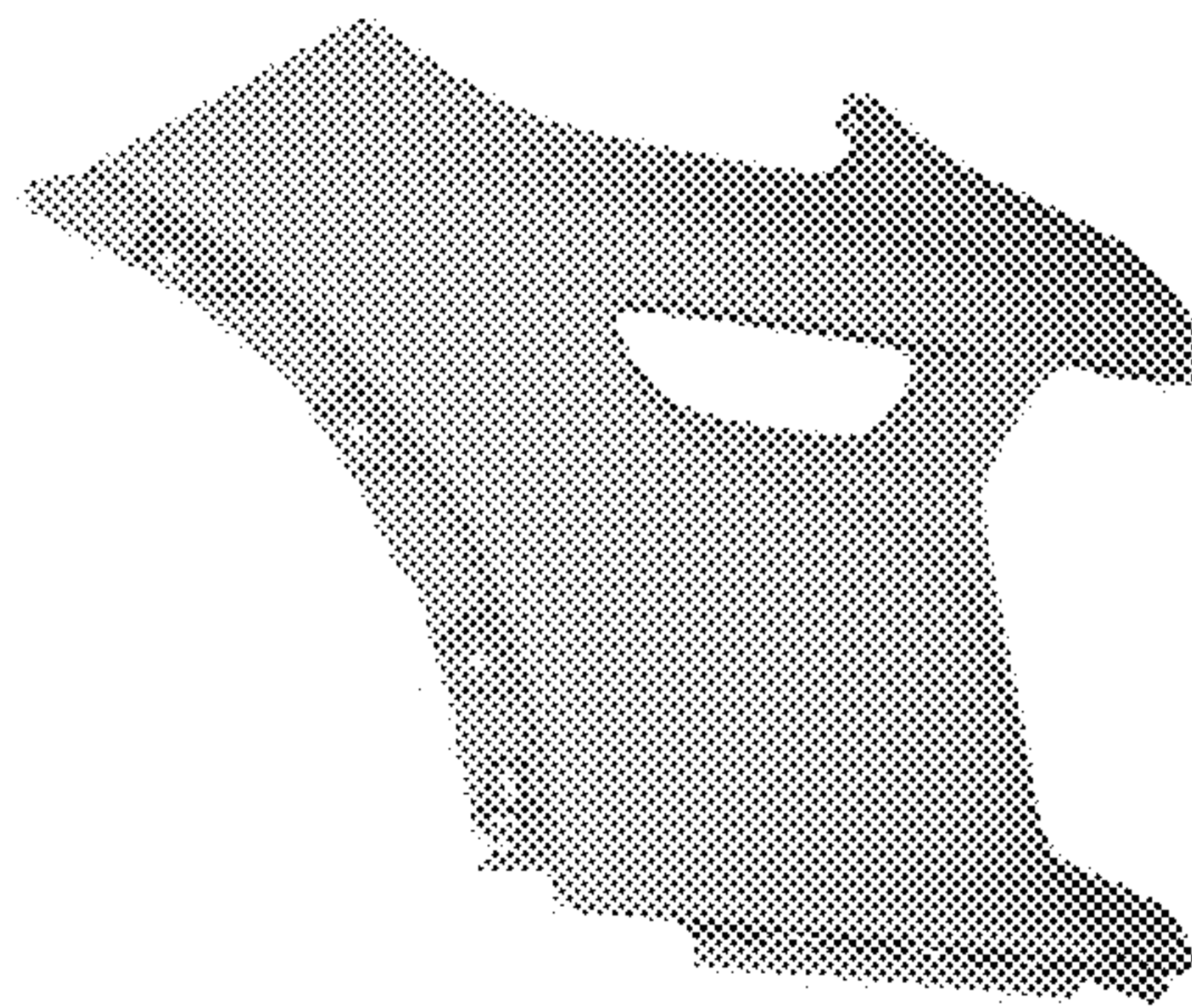


Fig. 5

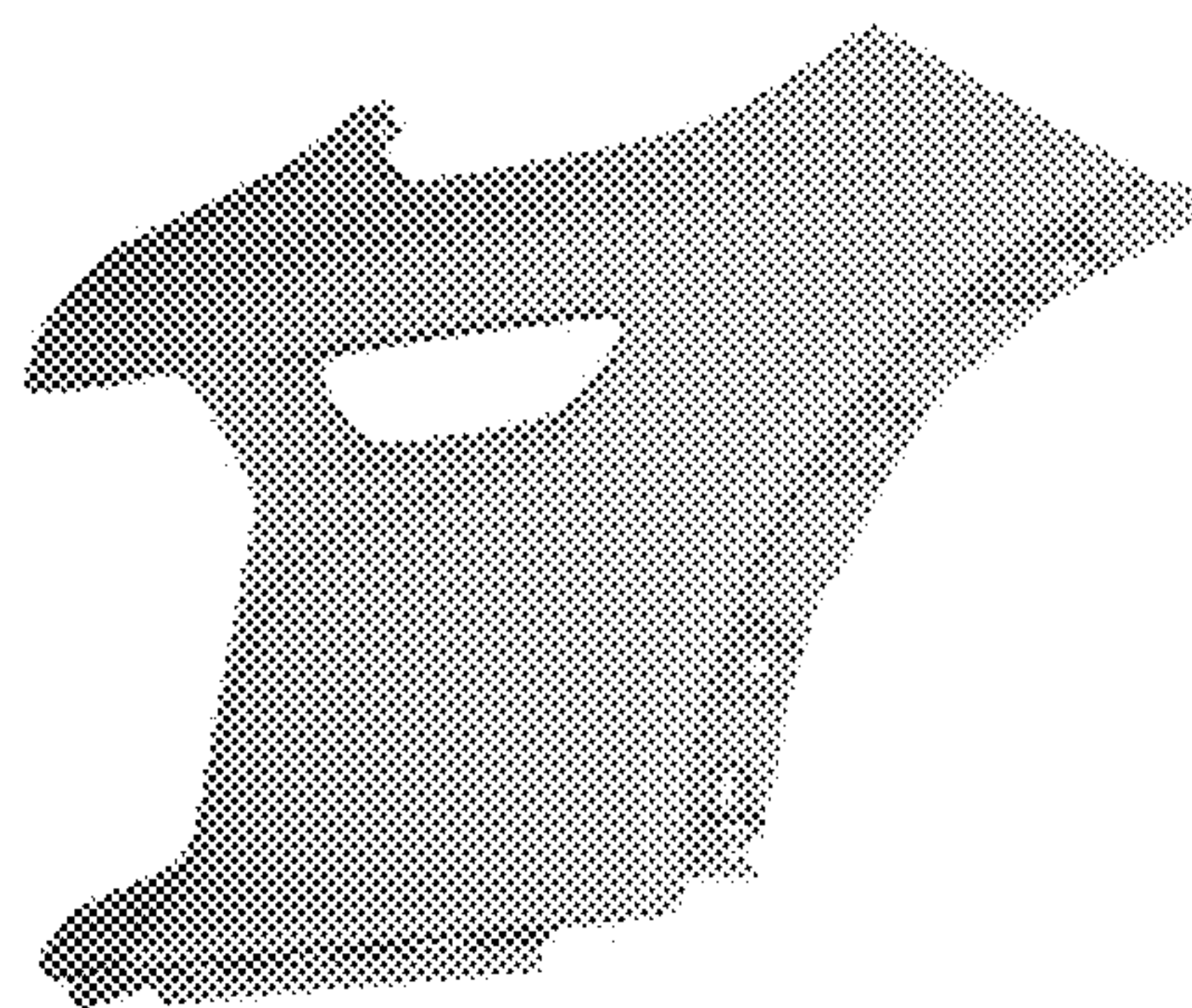


Fig. 6

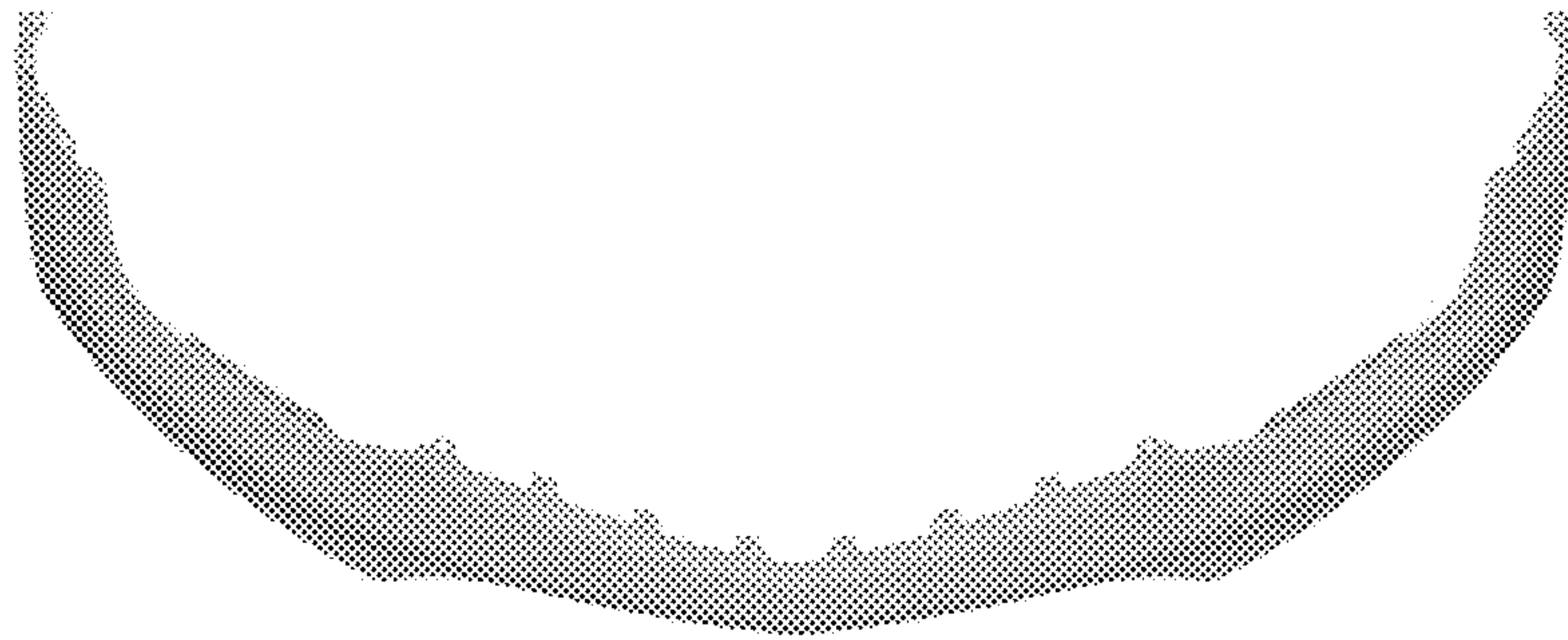


Fig. 7

