



US00D800028S

(12) **United States Design Patent**
Baggett

(10) **Patent No.:** **US D800,028 S**

(45) **Date of Patent:** **** Oct. 17, 2017**

(54) **BUMPER**

(71) Applicant: **Nivel Parts & Manufacturing Co., LLC**, Jacksonville, FL (US)

(72) Inventor: **William Cody Baggett**, Tallahassee, FL (US)

(73) Assignee: **Nivel Parts & Manufacturing Co., LLC**, Jacksonville, FL (US)

(**) Term: **15 Years**

(21) Appl. No.: **29/540,757**

(22) Filed: **Sep. 28, 2015**

(51) **LOC (10) Cl.** **12-16**

(52) **U.S. Cl.**
USPC **D12/167; D12/16**

(58) **Field of Classification Search**
USPC D12/14, 16, 82, 86, 87, 163, 164, 169, D12/171; 295/113, 115
CPC ... B60R 9/08; B60R 19/02; B60R 2019/1886; B60R 19/48; B60R 19/52; B60R 19/56; B60K 11/06
See application file for complete search history.

(56) **References Cited**

U.S. PATENT DOCUMENTS

D320,580 S *	10/1991	Kim	D12/16
D326,831 S *	6/1992	Lanius	D12/16
D345,717 S *	4/1994	Molzon	D12/16
D373,099 S *	8/1996	Molzon	D12/16
D439,548 S *	3/2001	Kouchi	D12/1
6,523,879 B2 *	2/2003	Mizuta	B60N 3/02 180/89.1
D485,219 S *	1/2004	Hamm	D12/169
D497,324 S *	10/2004	Chestnut	D12/1
D498,704 S *	11/2004	Bonner	D12/16
D503,905 S *	4/2005	Saito	D12/1

D504,638 S *	5/2005	Tanaka	D12/14
D548,661 S *	8/2007	Hanson	D12/169
D571,689 S *	6/2008	Andrews	D12/16
D578,433 S *	10/2008	Kawaguchi	D12/14
D588,046 S *	3/2009	Fitzgerald	D12/16
D600,593 S *	9/2009	Hanson	D12/16
D618,137 S *	6/2010	Yuan	D12/16
D641,288 S *	7/2011	Sun	D12/87
D721,012 S *	1/2015	Zhang	D12/16
D726,605 S *	4/2015	Schroeder	D12/171
D762,141 S *	7/2016	Zhou	D12/16
2007/0216180 A1 *	9/2007	Hanson	B60Q 1/0035 296/1.08

* cited by examiner

Primary Examiner — Karen Kearney

Assistant Examiner — Katherine Holbrow

(74) *Attorney, Agent, or Firm* — Weiss & Arons LLP

(57) **CLAIM**

The ornamental design for a bumper, as shown and described.

DESCRIPTION

FIG. 1 is a front right perspective view of a bumper showing our new design;

FIG. 2 is a front view of the bumper of FIG. 1;

FIG. 3 is a rear view of the bumper of FIG. 1;

FIG. 4 is a right side view of the bumper of FIG. 1;

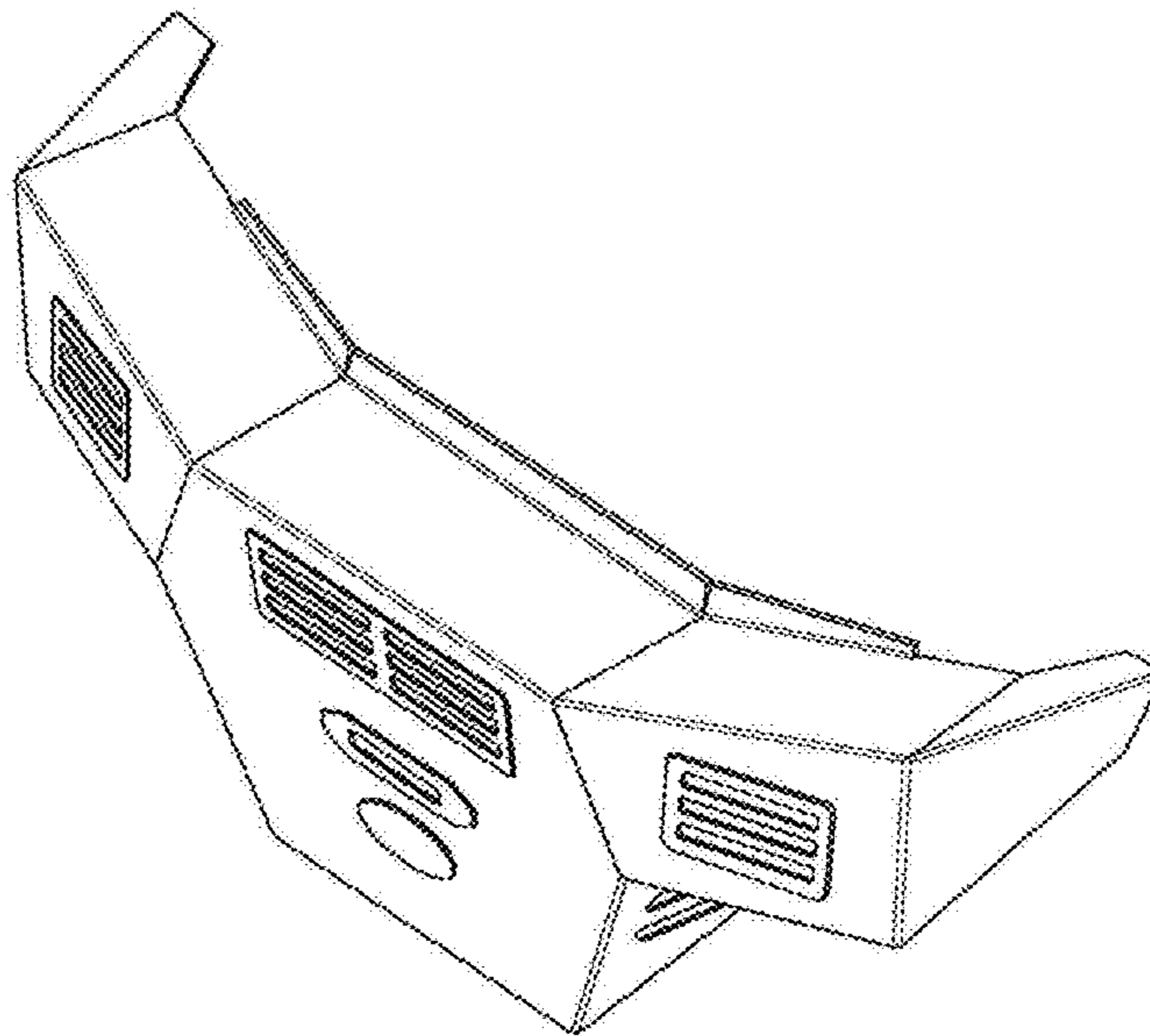
FIG. 5 is a left side view of the bumper of FIG. 1;

FIG. 6 is a top view of the bumper of FIG. 1; and,

FIG. 7 is a bottom view of the bumper of FIG. 1.

The broken line circles in FIGS. 4, 5 and 7 are included for the purpose of illustrating portions of the article and form no part of the claimed design. The straight broken lines and portions within the broken lines shown in FIGS. 3, 6 and 7, are included for the purpose of illustrating portions of the article and form no part of the claimed design.

1 Claim, 3 Drawing Sheets



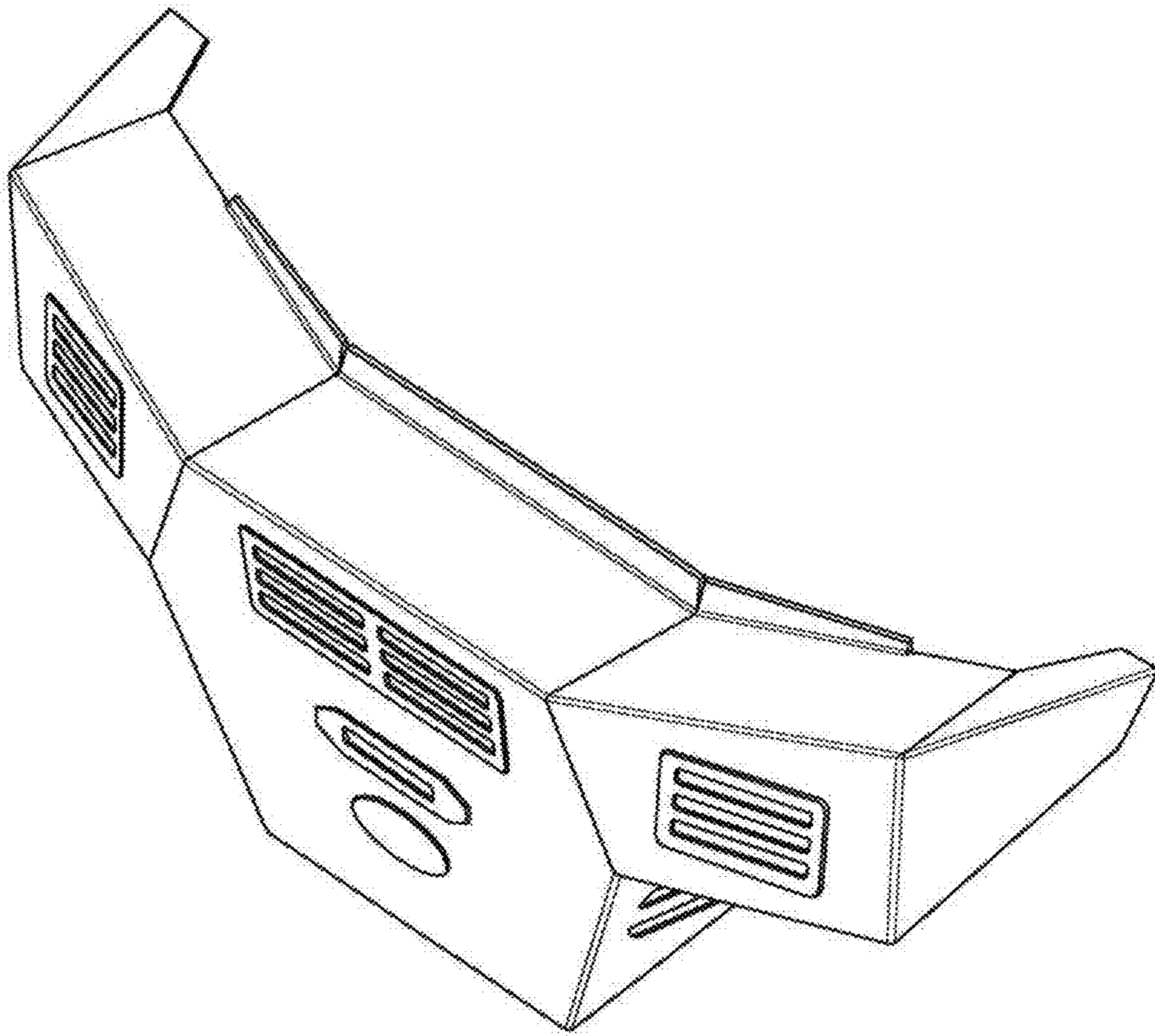


FIG. 1

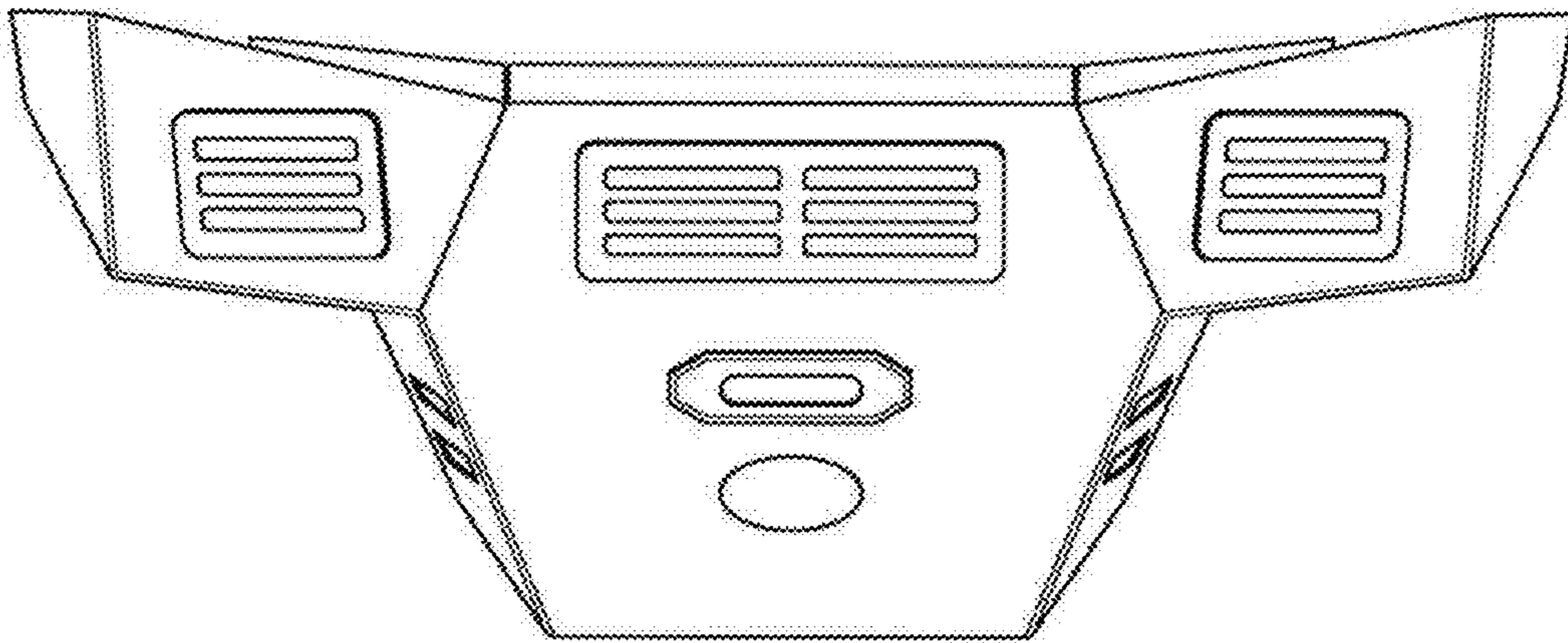


FIG. 2

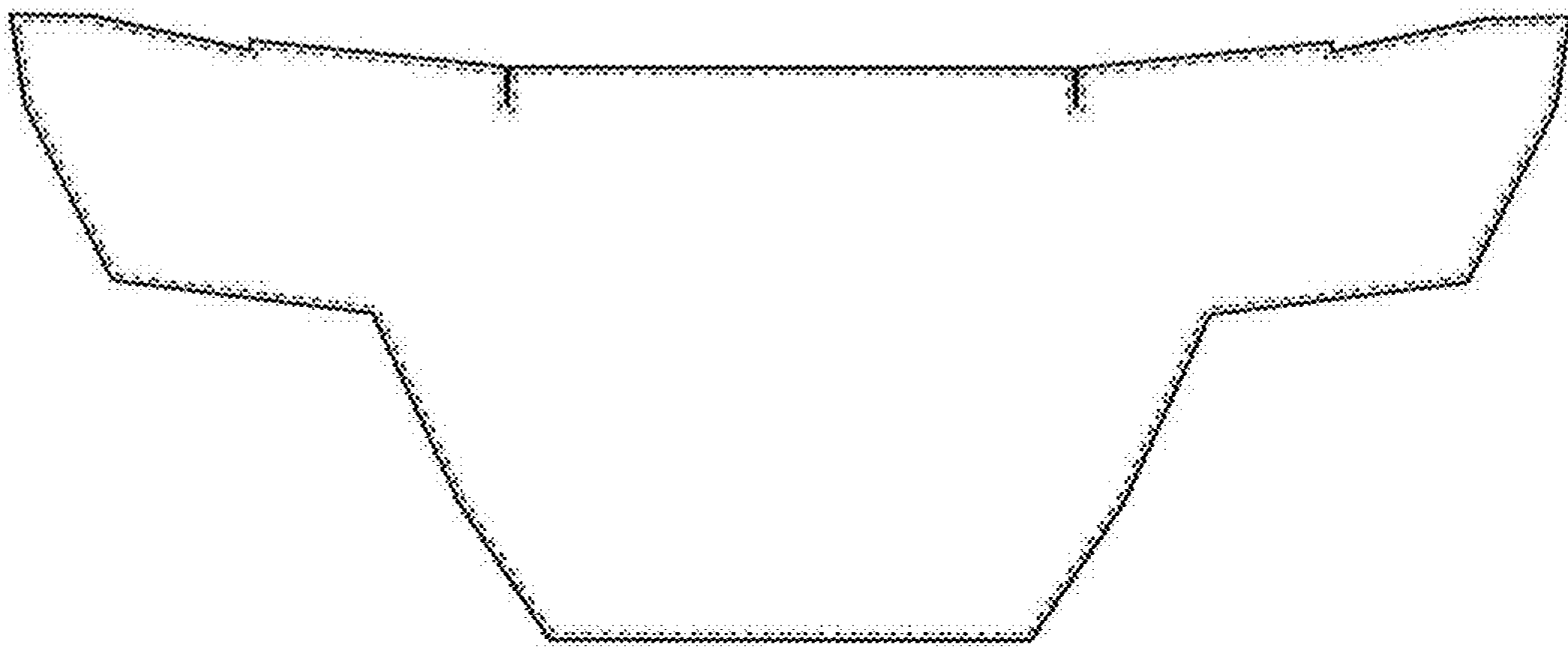


FIG. 3

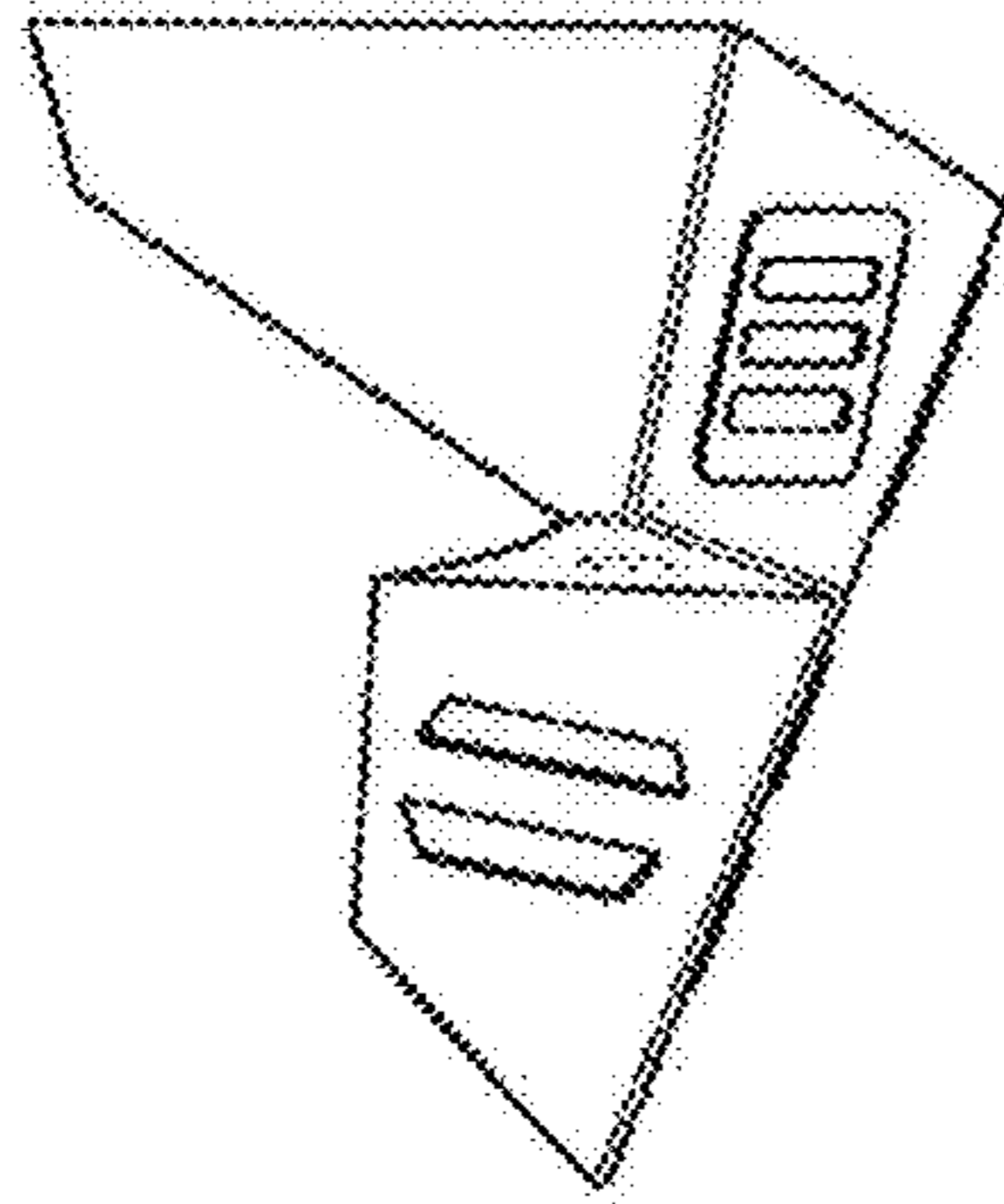


FIG. 4

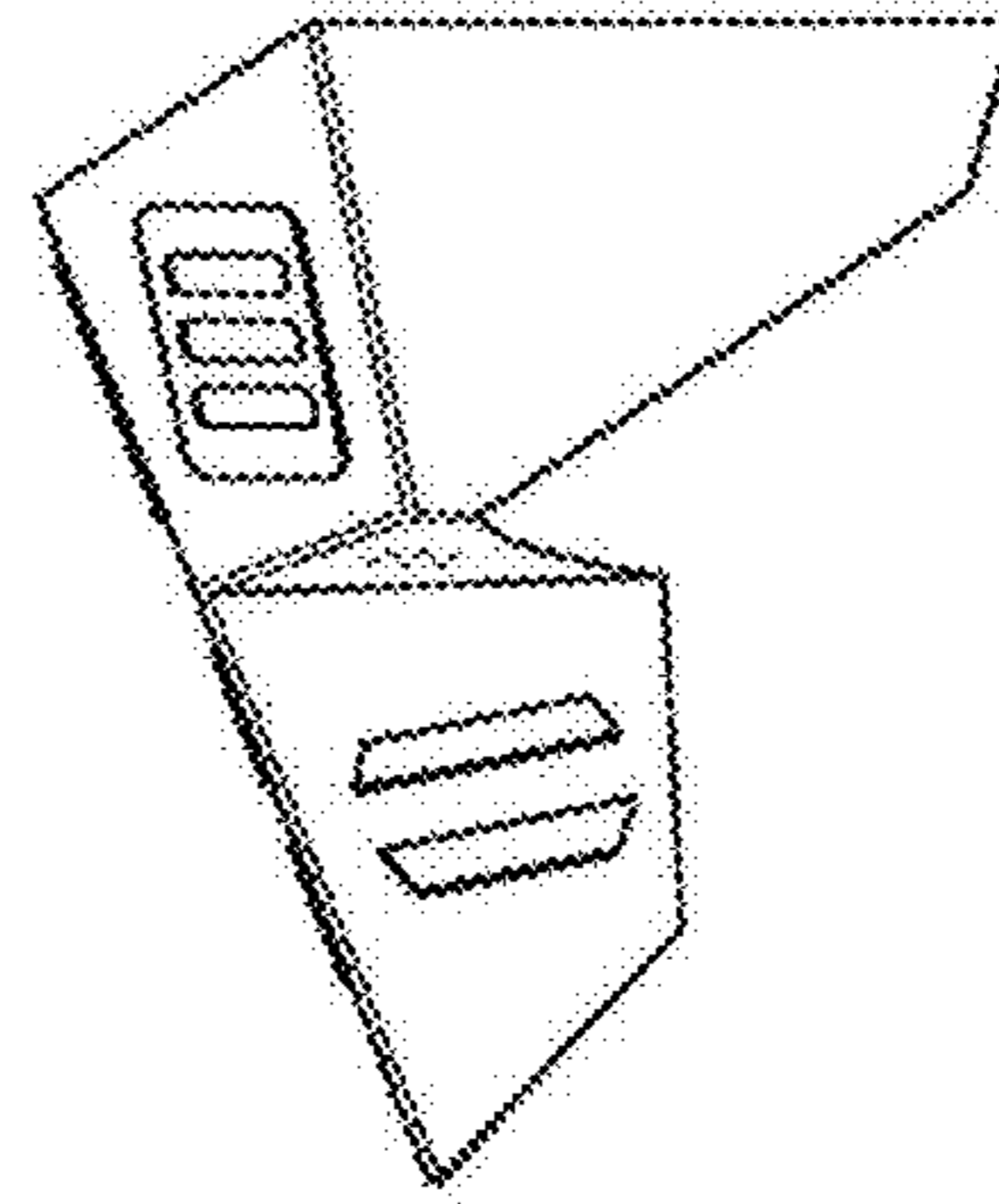


FIG. 5

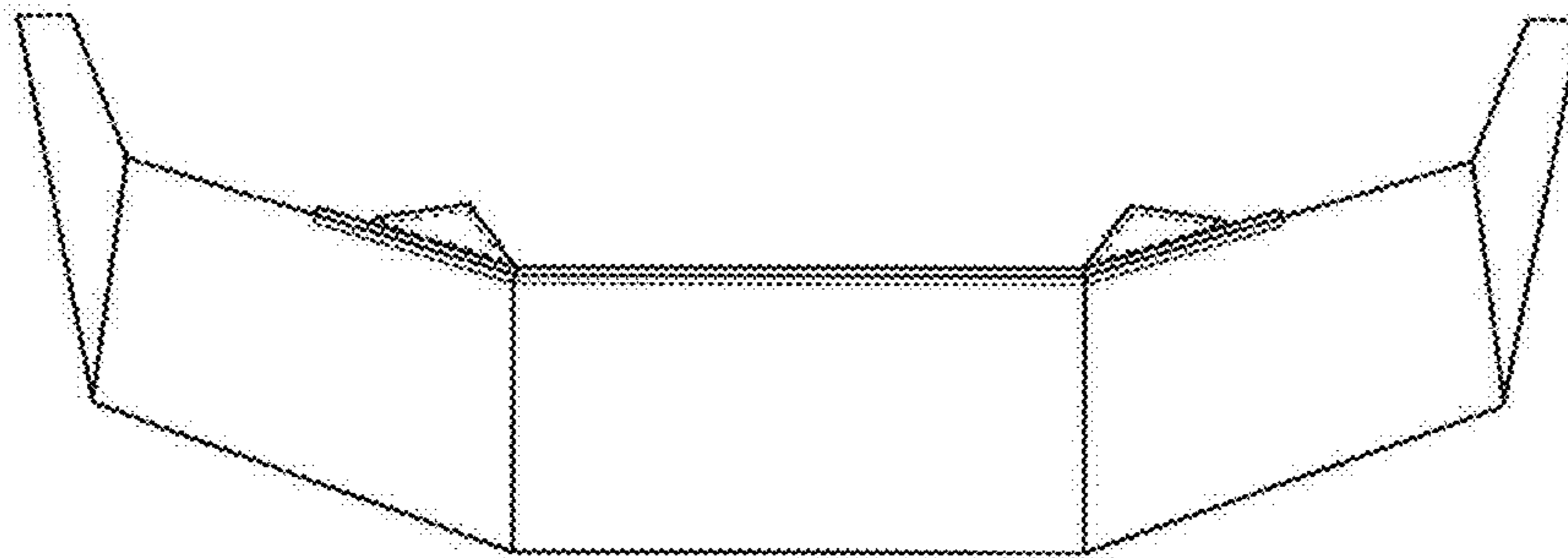


FIG. 6

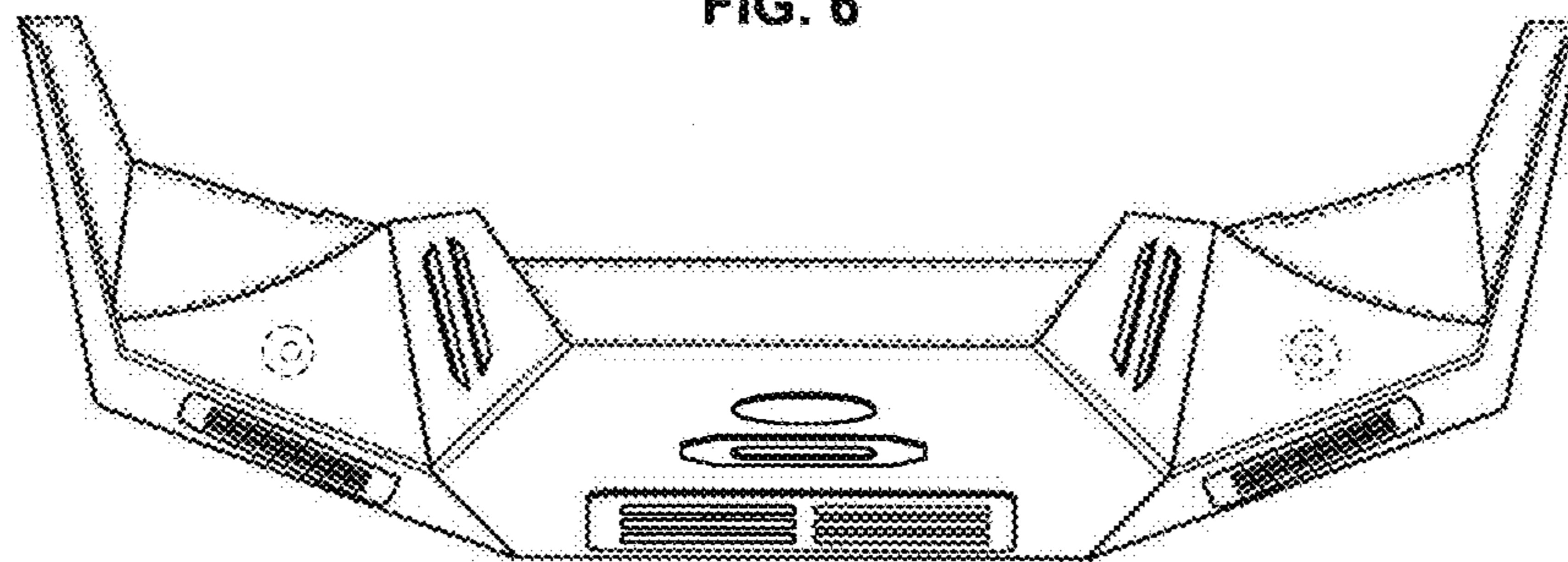


FIG. 7