



US00D800022S

(12) **United States Design Patent**
Piscitelli et al.

(10) **Patent No.:** **US D800,022 S**

(45) **Date of Patent:** **** Oct. 17, 2017**

(54) **AUTOMOBILE**

(71) Applicants: **Chris Piscitelli**, West Bloomfield, MI (US); **Mark T Allen**, Oxford, MI (US)

(72) Inventors: **Chris Piscitelli**, West Bloomfield, MI (US); **Mark T Allen**, Oxford, MI (US)

(73) Assignee: **FCA US LLC**, Auburn Hills, MI (US)

(**) Term: **15 Years**

(21) Appl. No.: **29/577,906**

(22) Filed: **Sep. 16, 2016**

(51) **LOC (10) Cl.** **12-08**

(52) **U.S. Cl.**
USPC **D12/98**

(58) **Field of Classification Search**
USPC D12/90-92, 98, 164, 169, 196;
296/181.1-181.5; D21/548, 560
CPC B60Y 2306/01; B60K 11/085
See application file for complete search history.

(56) **References Cited**

U.S. PATENT DOCUMENTS

D389,438 S *	1/1998	Guichard	D12/98
D454,813 S *	3/2002	Boniface	D12/91
D508,441 S *	8/2005	Moushegian	D12/86
D521,901 S *	5/2006	Dean	D12/91
D526,247 S *	8/2006	White	D12/98
D534,097 S *	12/2006	Renkert	D12/91

D534,836 S *	1/2007	Moushegian	D12/91
D554,563 S *	11/2007	Moushegian	D12/91
D554,564 S *	11/2007	Vardis	D12/92
D565,466 S *	4/2008	Moushegian	D12/91
D579,382 S *	10/2008	Arnone	D12/98
D682,759 S *	5/2013	Oliver	D12/196
D723,425 S	3/2015	Glover et al.	
D728,425 S	5/2015	Glover et al.	

* cited by examiner

Primary Examiner — John Windmuller

Assistant Examiner — Melvin Davis

(74) *Attorney, Agent, or Firm* — Ralph E. Smith

(57) **CLAIM**

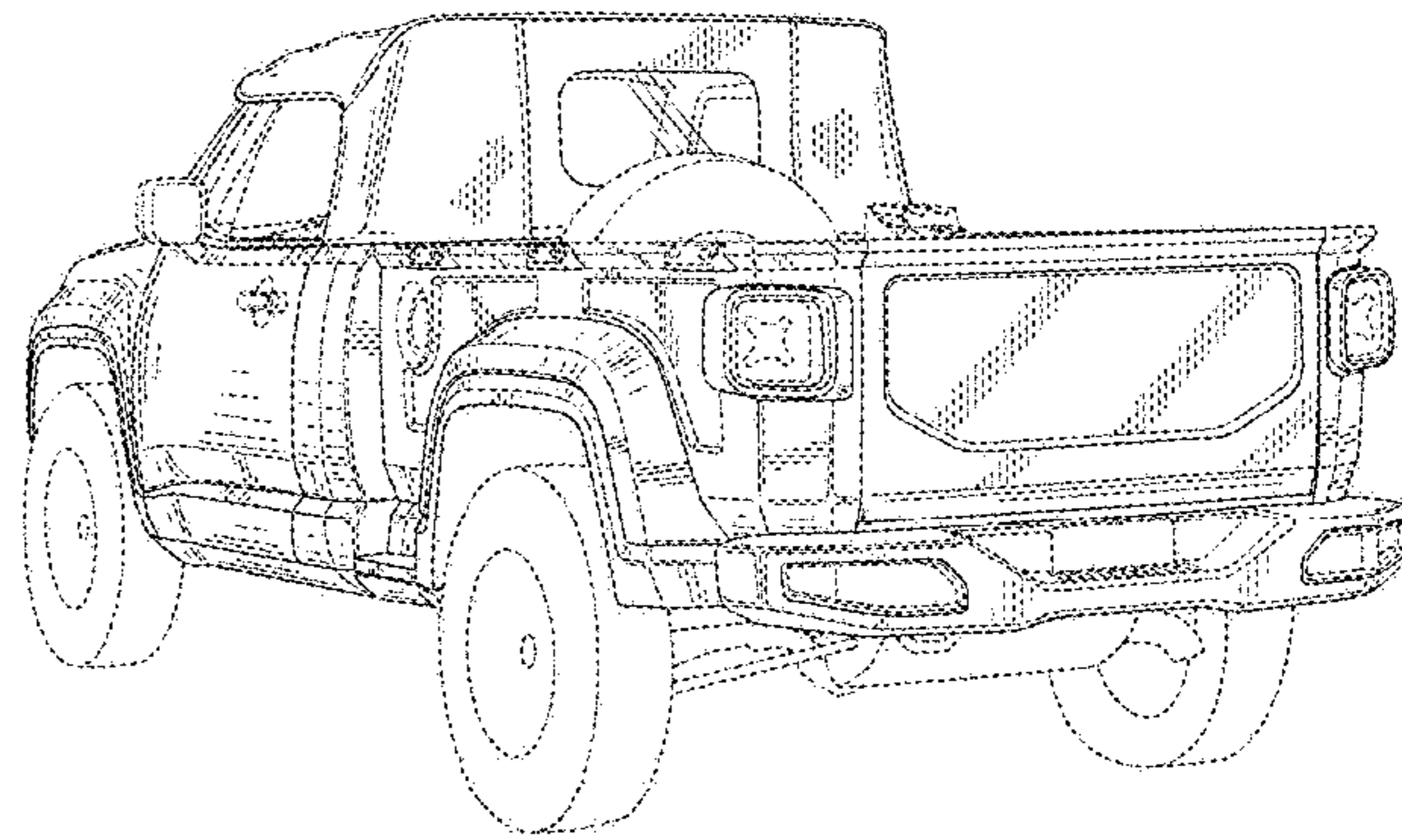
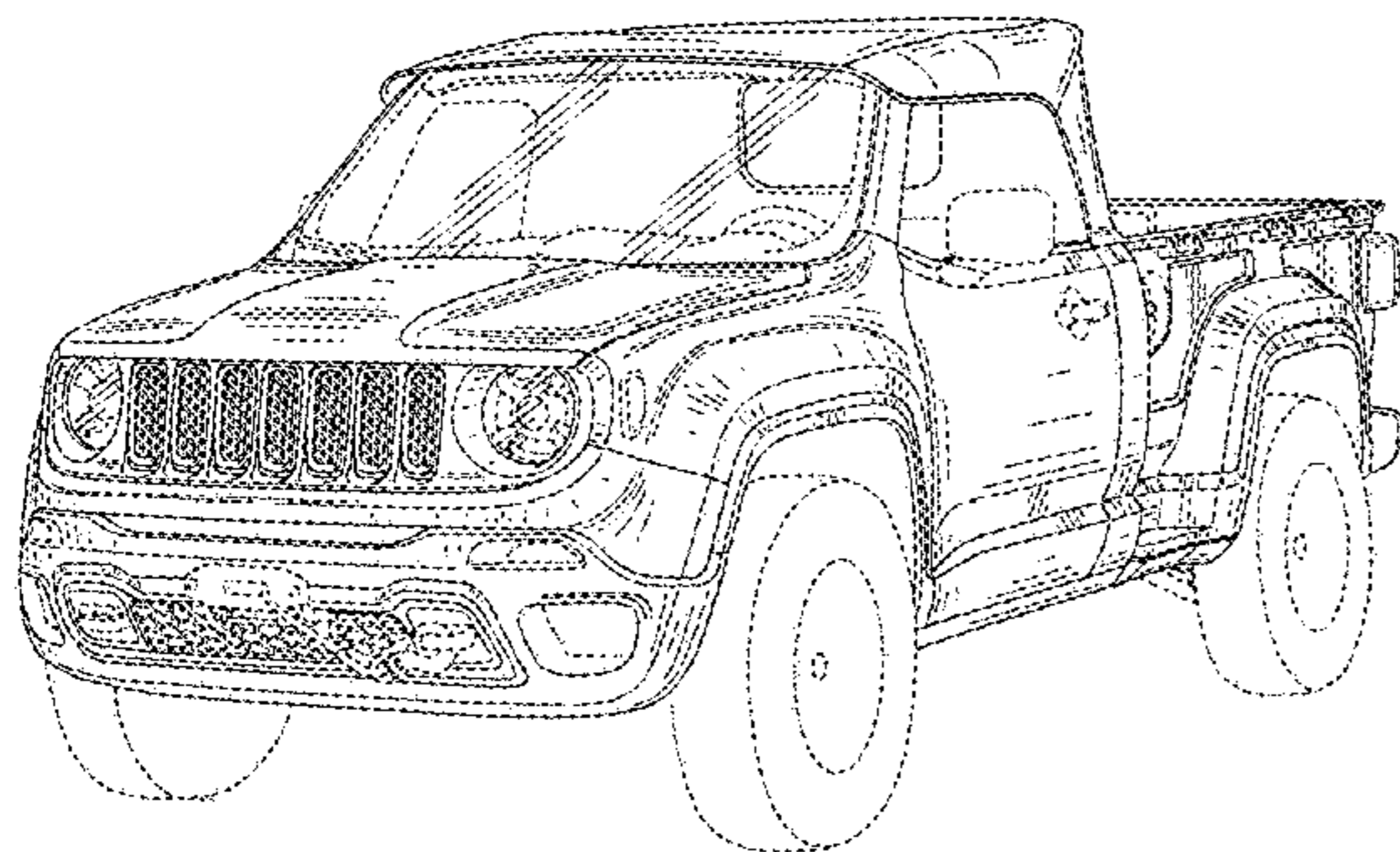
The ornamental design for an automobile, as shown and described.

DESCRIPTION

FIG. 1 is a front perspective view of an automobile showing our new design;
FIG. 2 is a driver side rear perspective view thereof;
FIG. 3 is a passenger side rear perspective view thereof;
FIG. 4 is a left side view thereof;
FIG. 5 is a right side view thereof;
FIG. 6 is a front view thereof; and,
FIG. 7 is a back view thereof.

It will be understood that the broken lines shown in the drawings illustrate portions of the automobile that form no part of claimed design.

1 Claim, 6 Drawing Sheets



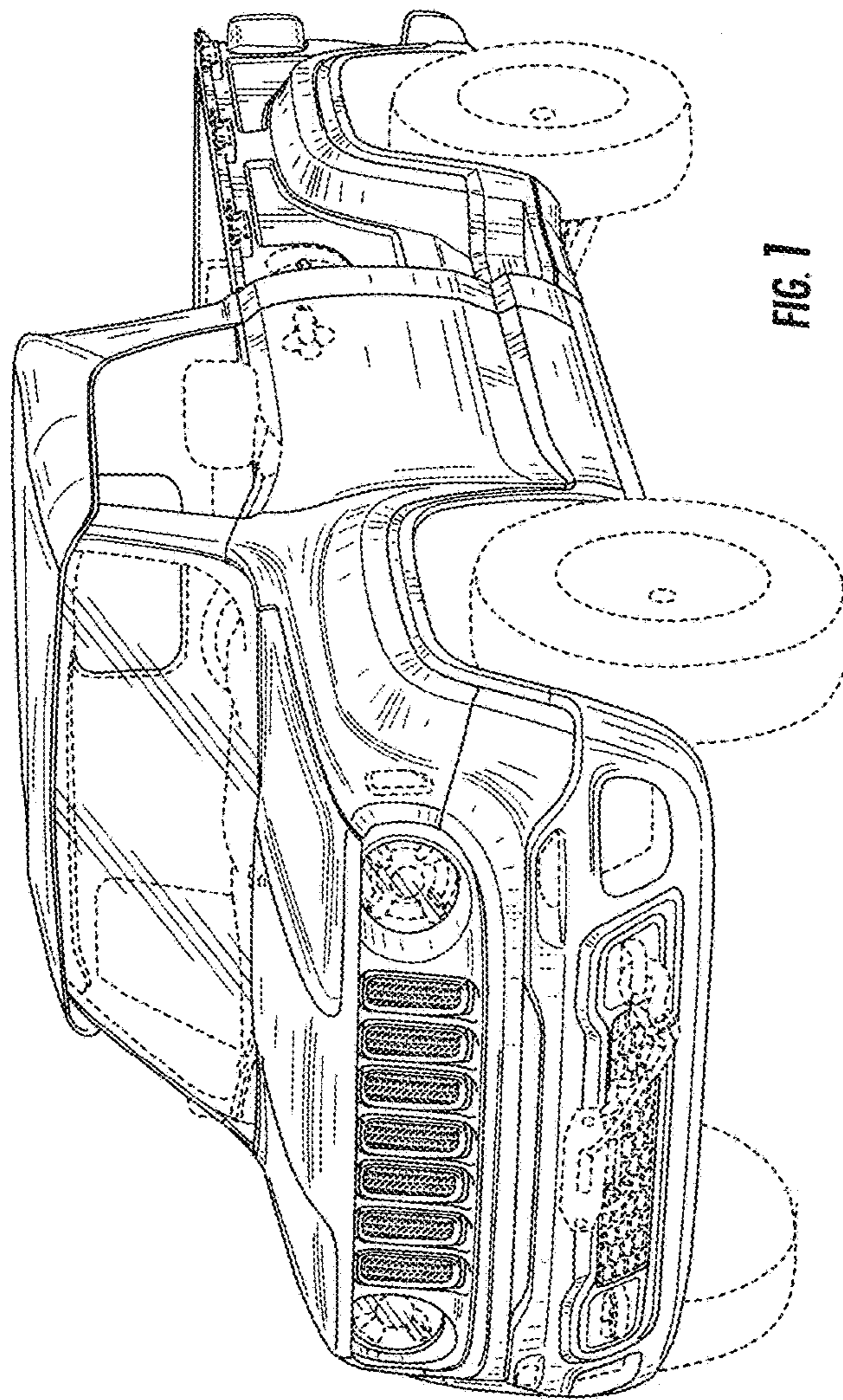


FIG. 7

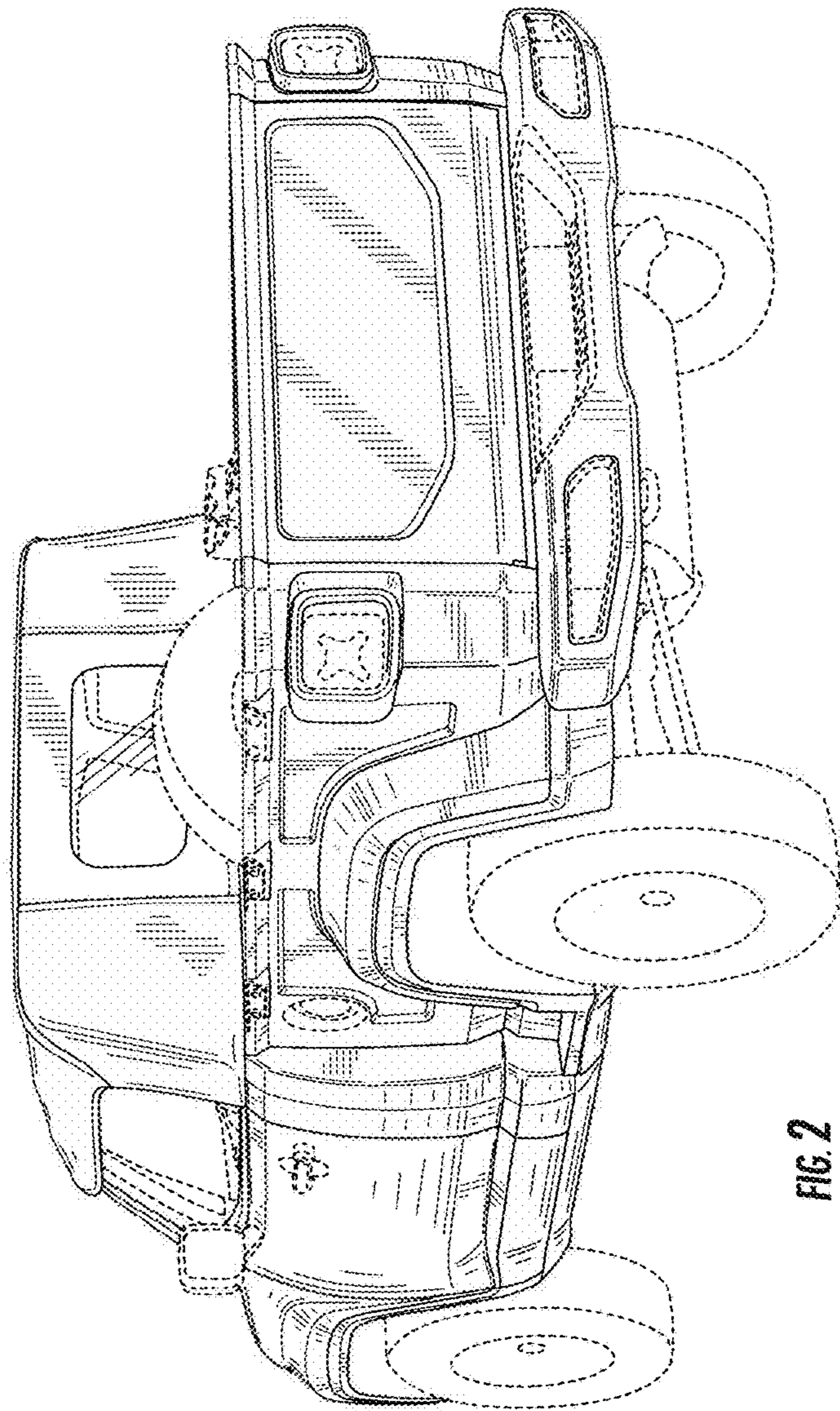


FIG. 2

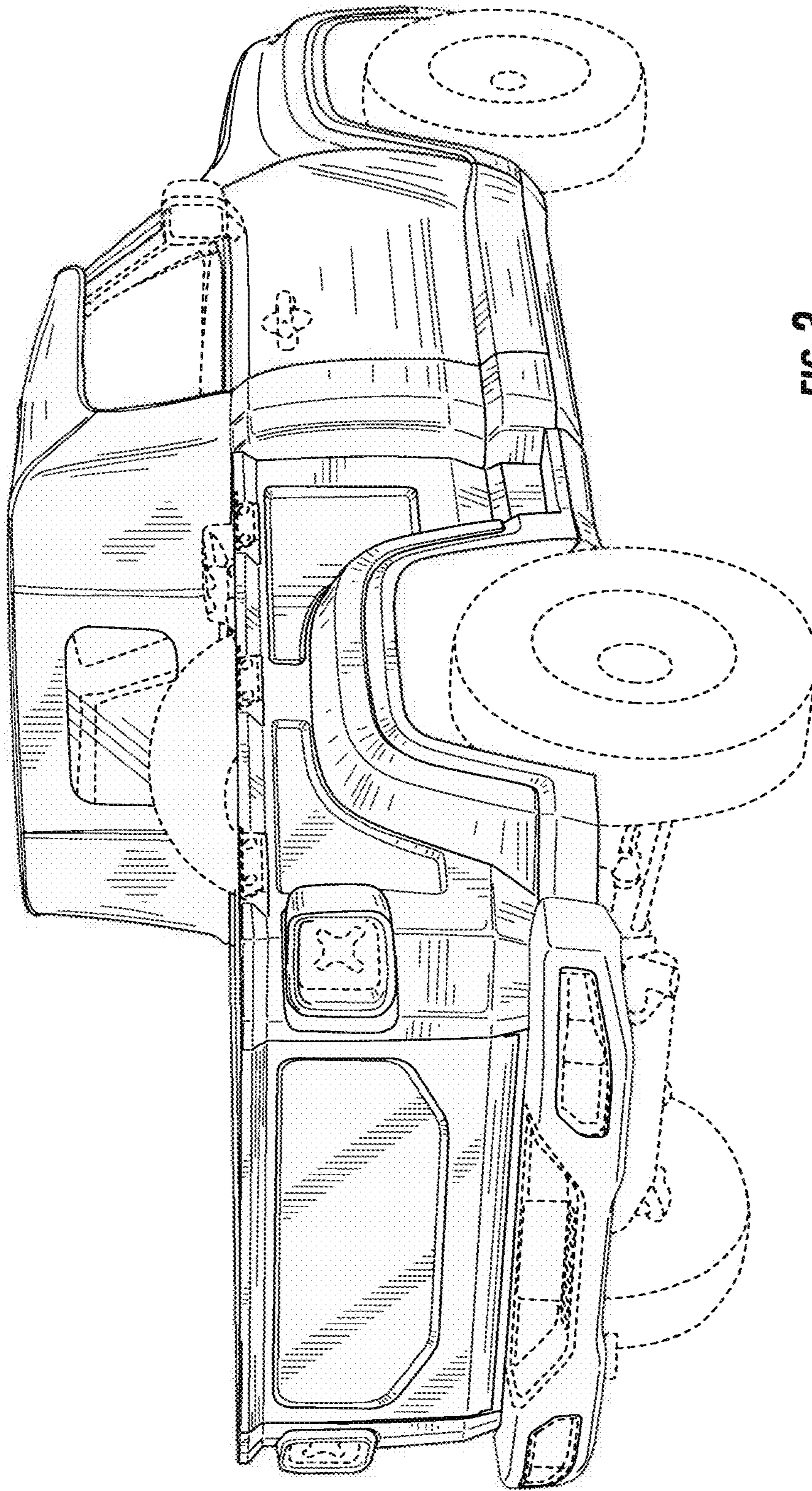


FIG. 3

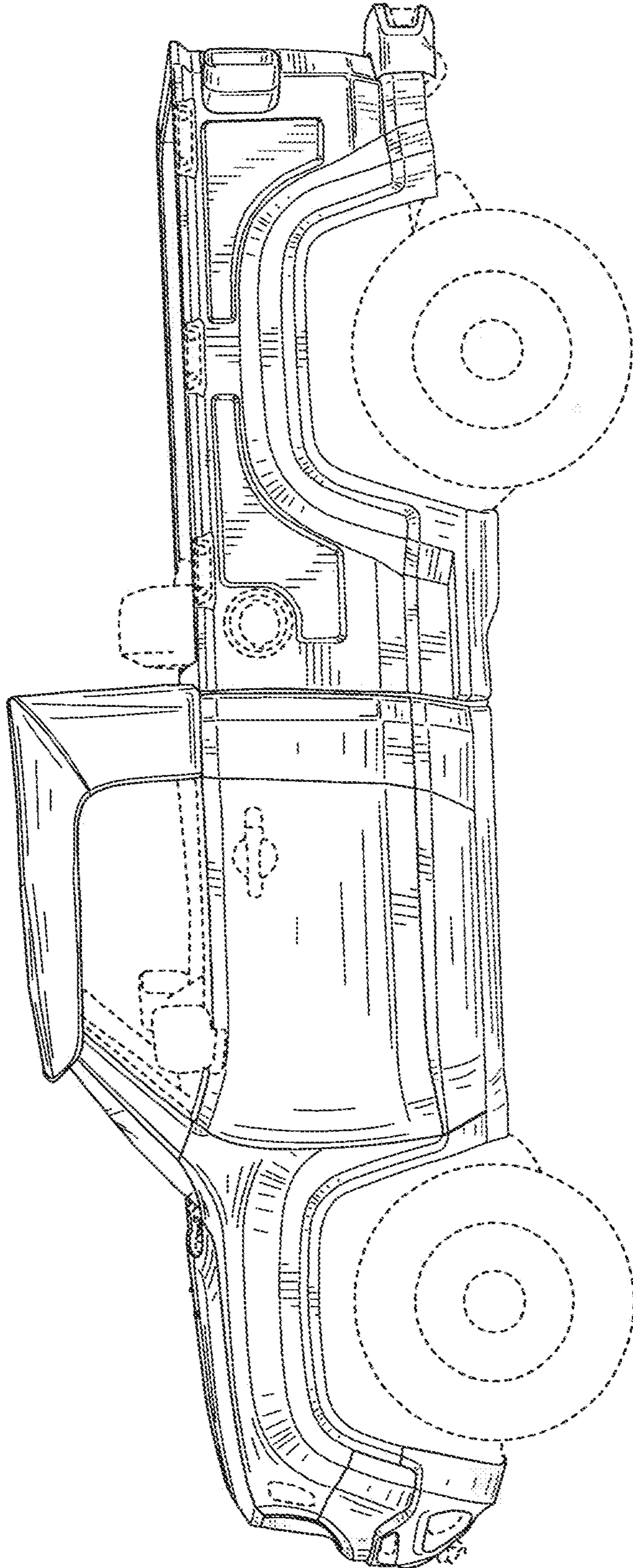


FIG. 4

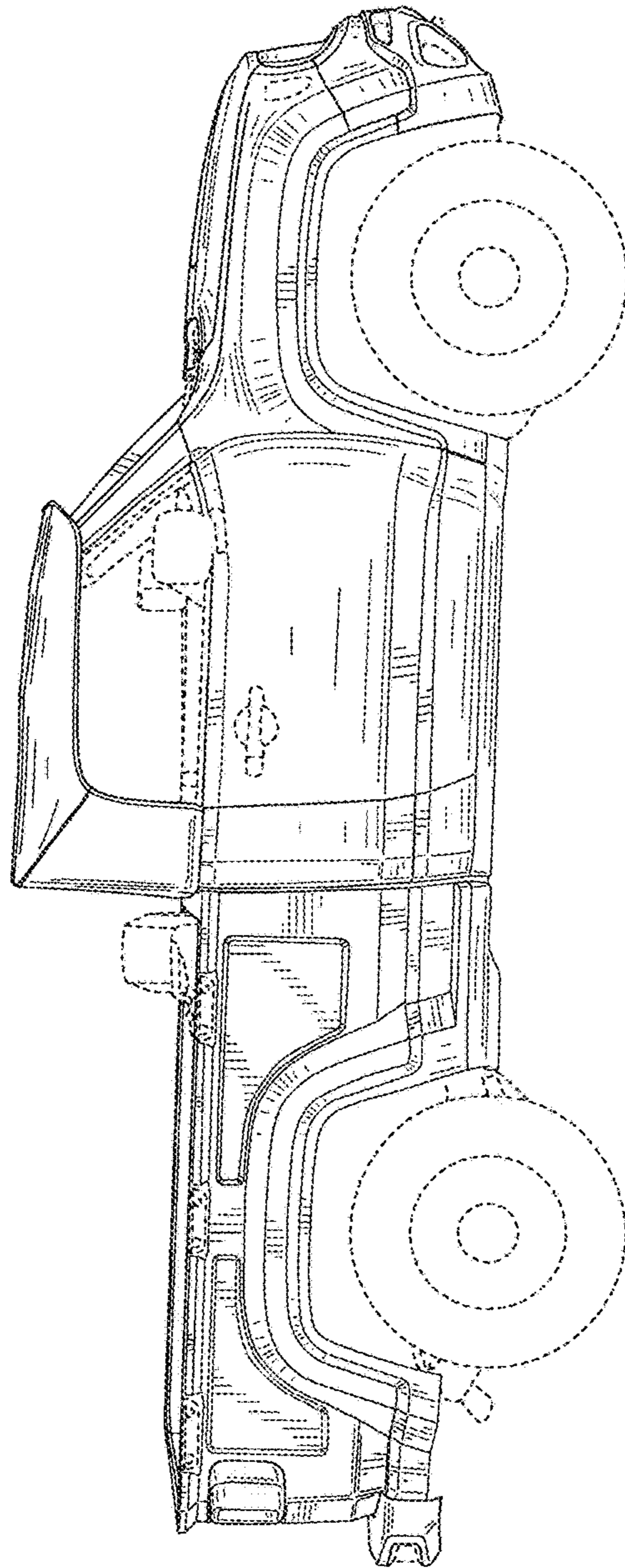


FIG. 5

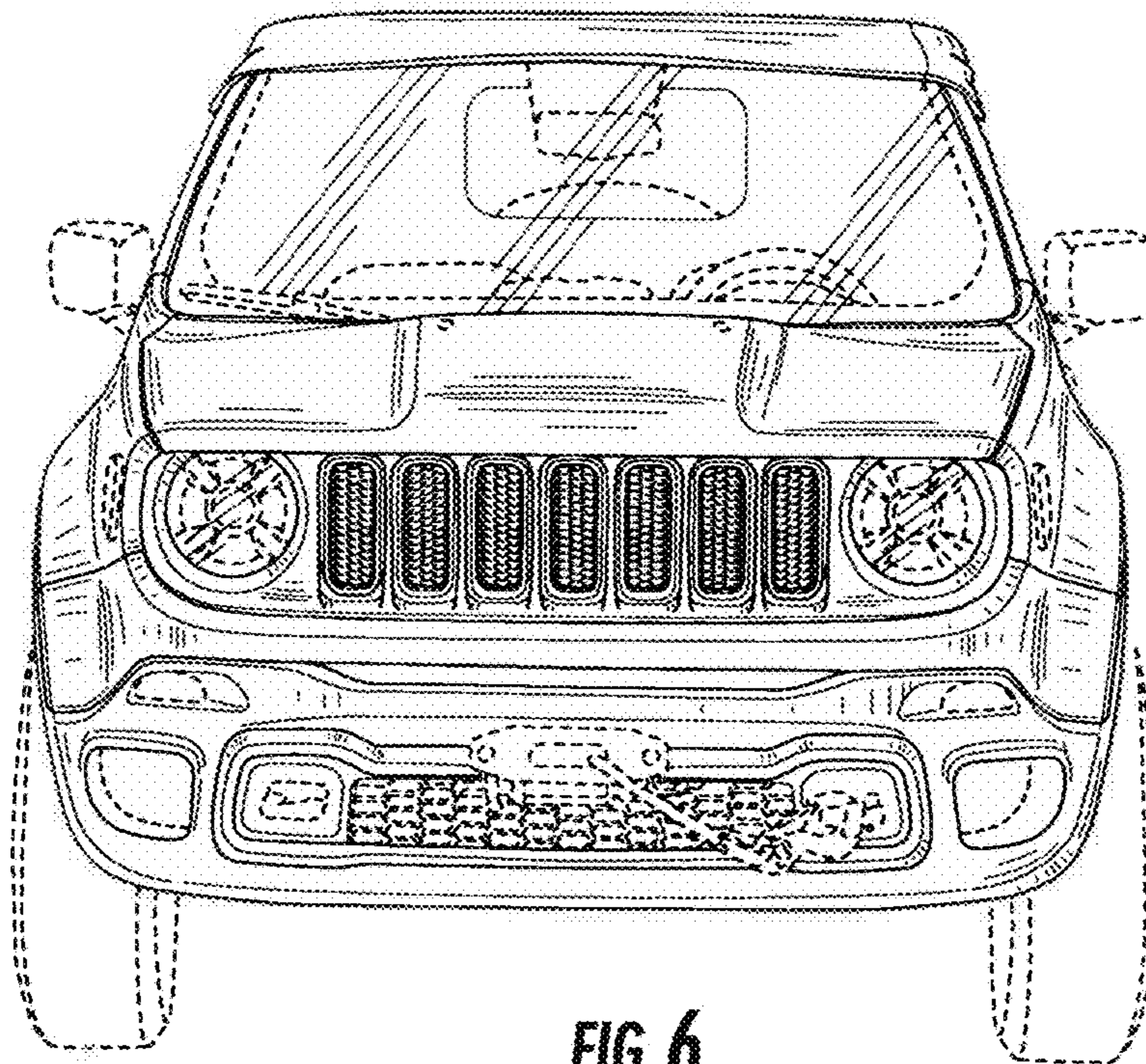


FIG. 6

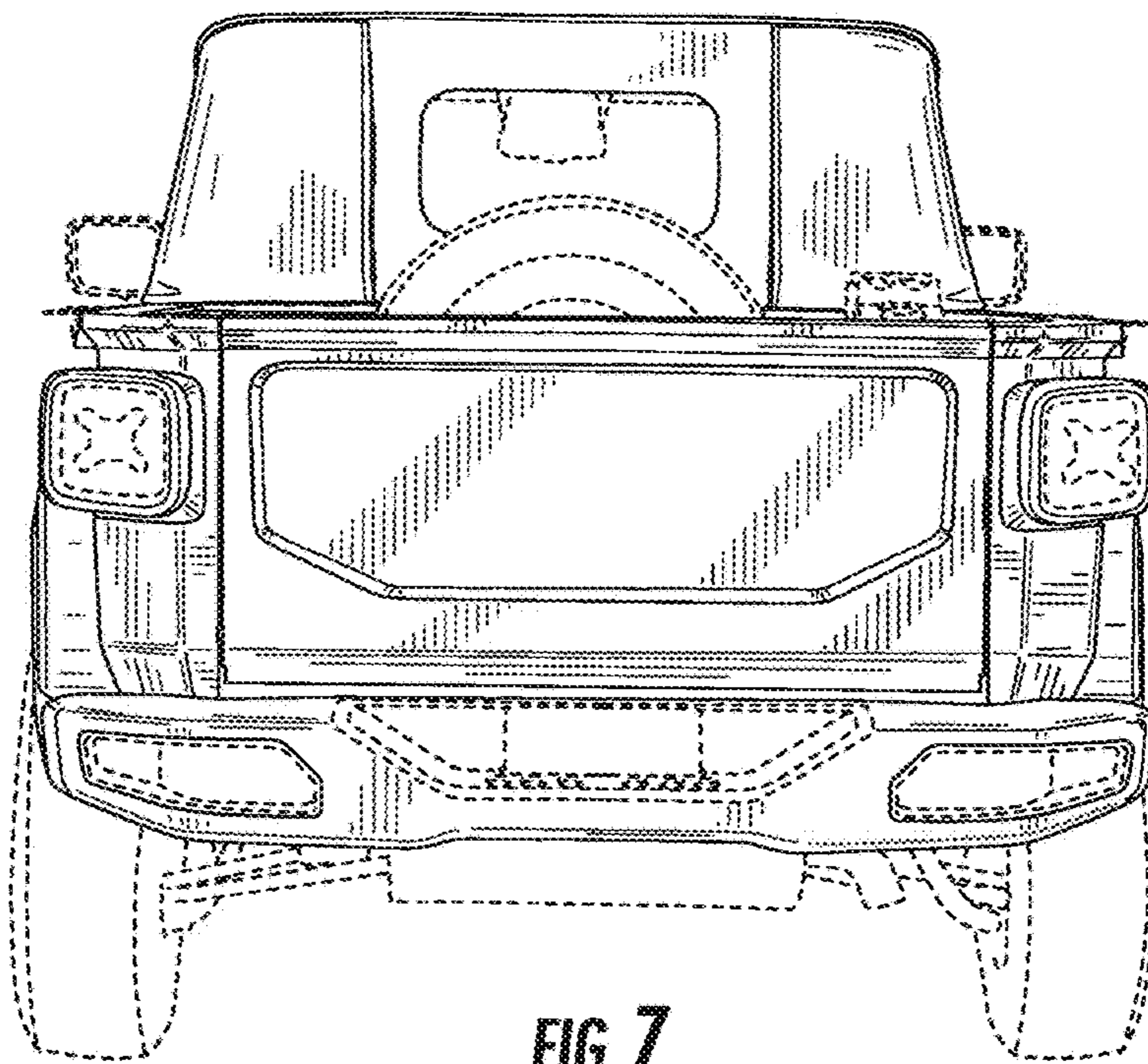


FIG. 7