



US00D800021S

(12) **United States Design Patent**
Hagino et al.

(10) **Patent No.:** **US D800,021 S**

(45) **Date of Patent:** **** Oct. 17, 2017**

(54) **PASSENGER CAR**

(71) Applicant: **Fuji Jukogyo Kabushiki Kaisha,**
Tokyo (JP)

(72) Inventors: **Takashi Hagino,** Tokyo (JP); **Shinichi Imai,** Tokyo (JP)

(73) Assignee: **Subaru Corporation,** Tokyo (JP)

(**) Term: **15 Years**

(21) Appl. No.: **29/575,579**

(22) Filed: **Aug. 26, 2016**

(30) **Foreign Application Priority Data**

Feb. 26, 2016 (JP) 2016004189

(51) **LOC (10) Cl.** **12-08**

(52) **U.S. Cl.**
USPC **D12/92**

(58) **Field of Classification Search**
USPC D12/90-92, 164, 169, 196;
296/181.1-181.5; D21/548, 560
CPC B60Y 2306/01; B60K 11/085
See application file for complete search history.

(56) **References Cited**

U.S. PATENT DOCUMENTS

D473,824 S * 4/2003 Mori D12/92
D500,710 S * 1/2005 Saito D12/92

D547,699 S * 7/2007 Okazaki D12/92
D628,941 S * 12/2010 Yi D12/92
D640,603 S * 6/2011 Ham D12/92
D720,654 S * 1/2015 Baek D12/92
D726,074 S * 4/2015 Beaven D12/92
D737,175 S * 8/2015 Telaak D12/92
D758,921 S * 6/2016 Hatton D12/92
D765,547 S * 9/2016 Ahn D12/92
D767,448 S * 9/2016 Leu D12/92
D776,012 S * 1/2017 Sterner D12/92
D787,374 S * 5/2017 Kim D12/91

* cited by examiner

Primary Examiner — John Windmuller

Assistant Examiner — Melvin L Davis

(74) *Attorney, Agent, or Firm* — Schiff Hardin LLP

(57) **CLAIM**

We claim the ornamental design for a passenger car thereof, as shown and described.

DESCRIPTION

FIG. 1 is a front perspective view for a “passenger car” showing my new design,
FIG. 2 is a rear perspective view thereof,
FIG. 3 is a front view thereof,
FIG. 4 is a rear view thereof,
FIG. 5 is a top view thereof,
FIG. 6 is a left-side view thereof; and,
FIG. 7 is a right-side view thereof.

1 Claim, 7 Drawing Sheets



Fig. 1

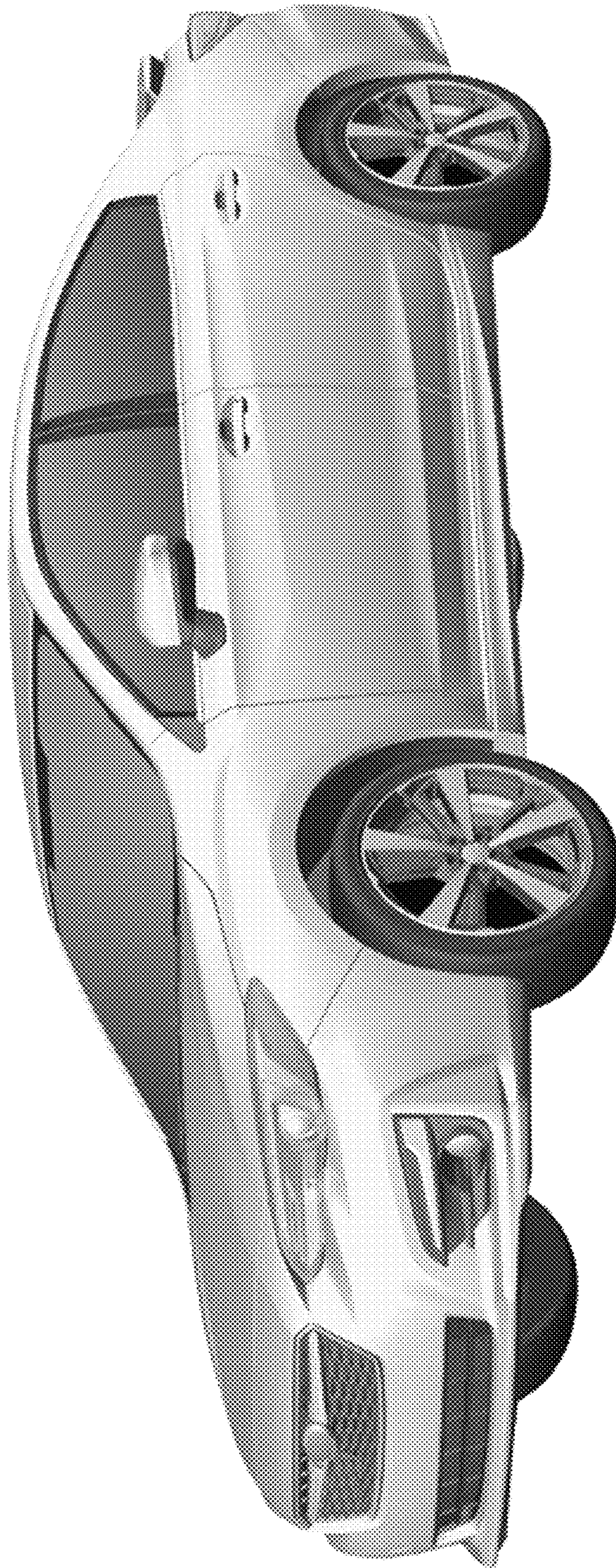


Fig. 2

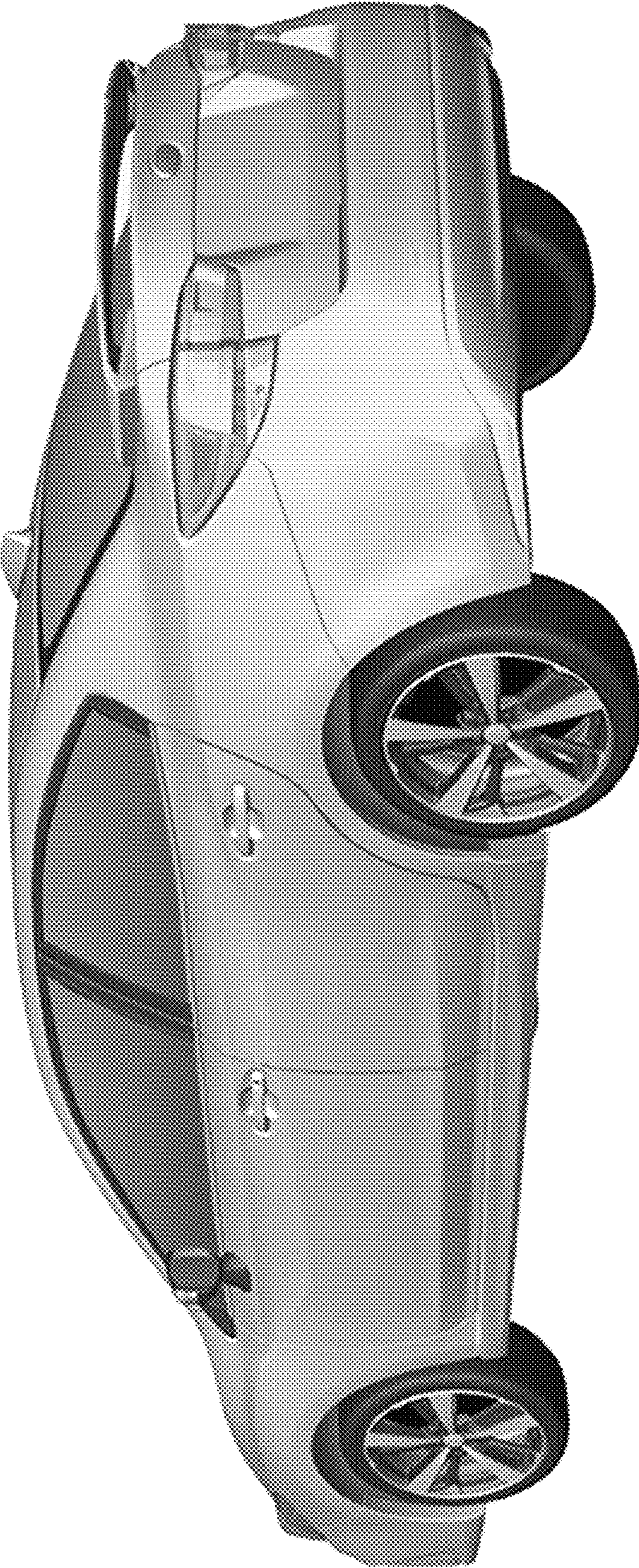


Fig. 3

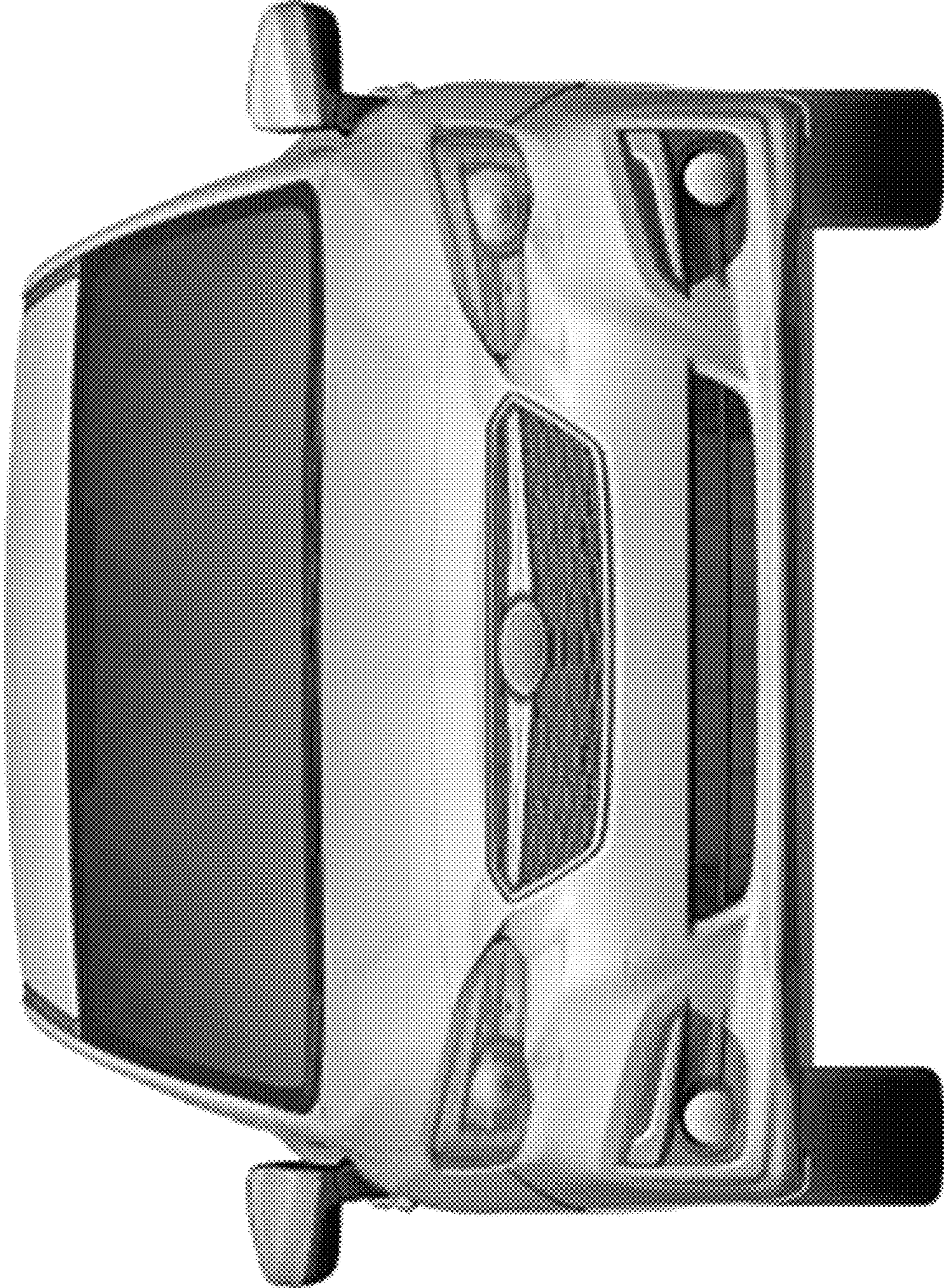


Fig. 4

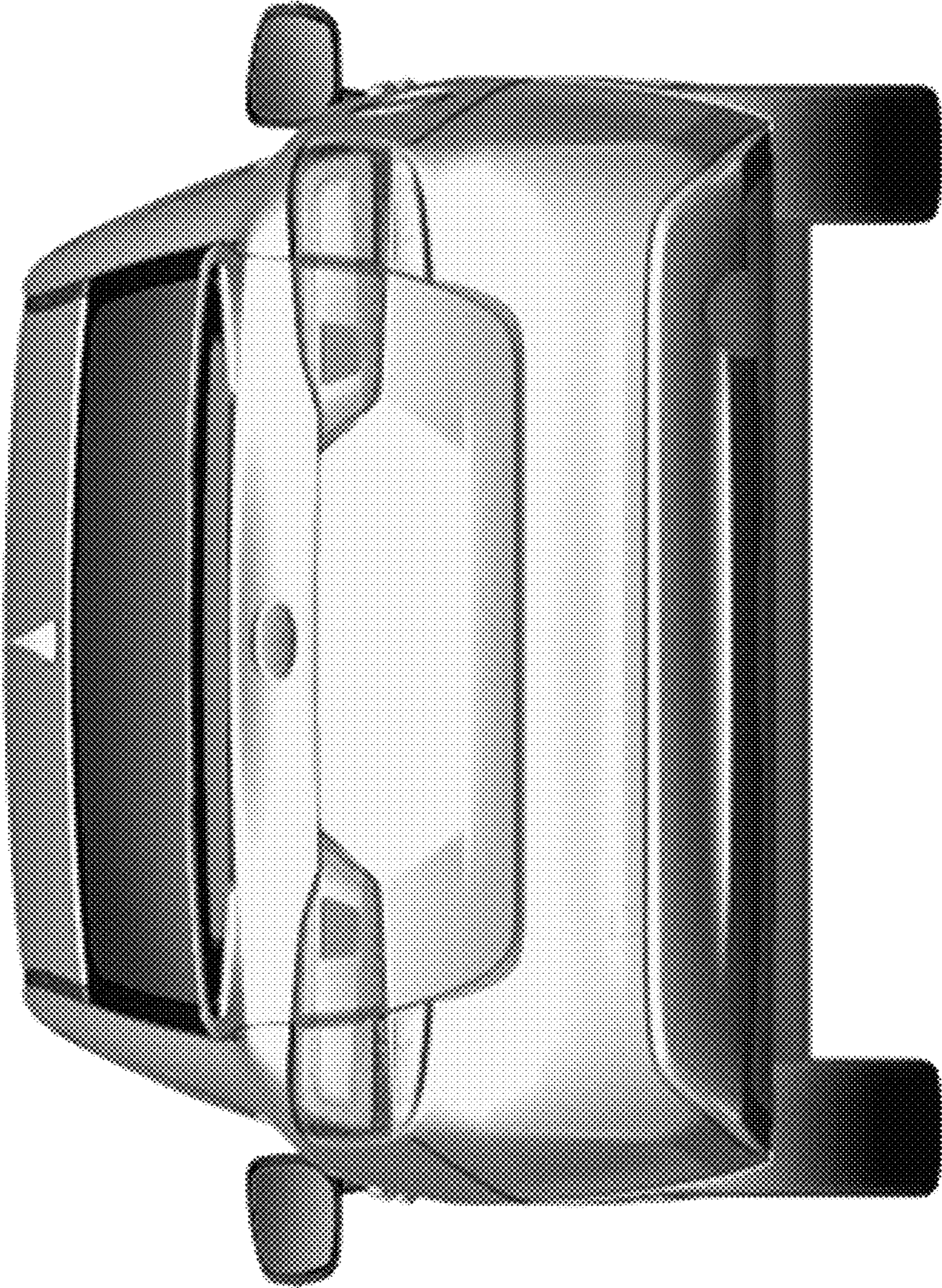


Fig. 5



Fig. 6

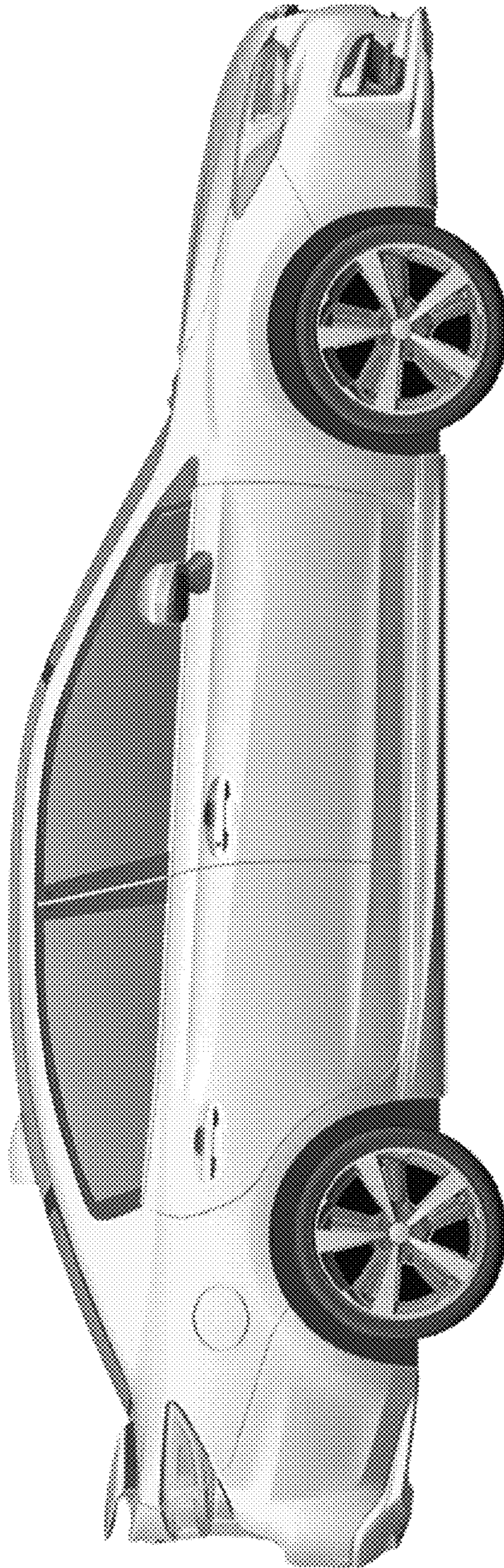


Fig. 7

