



US00D800018S

(12) **United States Design Patent**
Jheow

(10) **Patent No.:** **US D800,018 S**

(45) **Date of Patent:** **** Oct. 17, 2017**

(54) **MOTOR CAR**

(71) Applicant: **WONG FONG ENGINEERING WORKS (1988) PTE LTD**, Singapore (SG)

(72) Inventor: **Ban Yinh Jheow**, Singapore (SG)

(**) Term: **15 Years**

(21) Appl. No.: **35/501,081**

(22) Filed: **Dec. 15, 2015**

(80) **Hague Agreement Data**

Int. Filing Date: **Dec. 15, 2015**

Int. Reg. No.: **DM/089042**

Int. Reg. Date: **Dec. 15, 2015**

Int. Reg. Pub. Date: **Jun. 17, 2016**

(51) **LOC (10) Cl.** **12-08**

(52) **U.S. Cl.**
USPC **D12/88; D12/92**

(58) **Field of Classification Search**
USPC D12/86, 88, 90, 91, 92, 98; D21/424, D21/433, 434
CPC B62D 25/00; B62D 25/06; B62D 33/00; B62D 35/00

See application file for complete search history.

(56) **References Cited**

U.S. PATENT DOCUMENTS

D550,125 S	*	9/2007	Nagasato	D12/92
D576,523 S	*	9/2008	Battams	D12/88
D692,348 S	*	10/2013	Whelan	D12/92
D692,799 S	*	11/2013	Smith	D12/92
D710,259 S	*	8/2014	Baccino	D12/92

D726,074 S	*	4/2015	Beaven	D12/92
D734,212 S	*	7/2015	Stephenson	D12/92
D739,789 S	*	9/2015	Payne	D12/92
D742,280 S	*	11/2015	Schramm	D12/88
D753,548 S	*	4/2016	Gilles	D12/88
D753,549 S	*	4/2016	Manzoni	D12/88
D763,734 S	*	8/2016	Castriota	D12/88
D772,106 S	*	11/2016	Hitzinger	D12/88
D774,420 S	*	12/2016	Anscheidt	D12/92
D774,947 S	*	12/2016	Anscheidt	D12/88
D781,747 S	*	3/2017	Stephenson	D12/88
D785,503 S	*	5/2017	Qu	D12/88

* cited by examiner

Primary Examiner — Darlington Ly

(57) **CLAIM**

The ornamental design for a motor car, as shown and described.

DESCRIPTION

1. Motor car

1.1 is a top plan view of a motor car showing my new design;

1.2 is a front elevation view thereof;

1.3 is a rear elevation view thereof;

1.4 is a right side elevation view thereof;

1.5 is a front and left side perspective view thereof;

1.6 is a front and right side perspective view thereof;

1.7 is a rear and left side perspective view thereof;

1.8 is a rear and right side perspective view thereof;

1.9 is a top, front, and left side perspective view thereof;

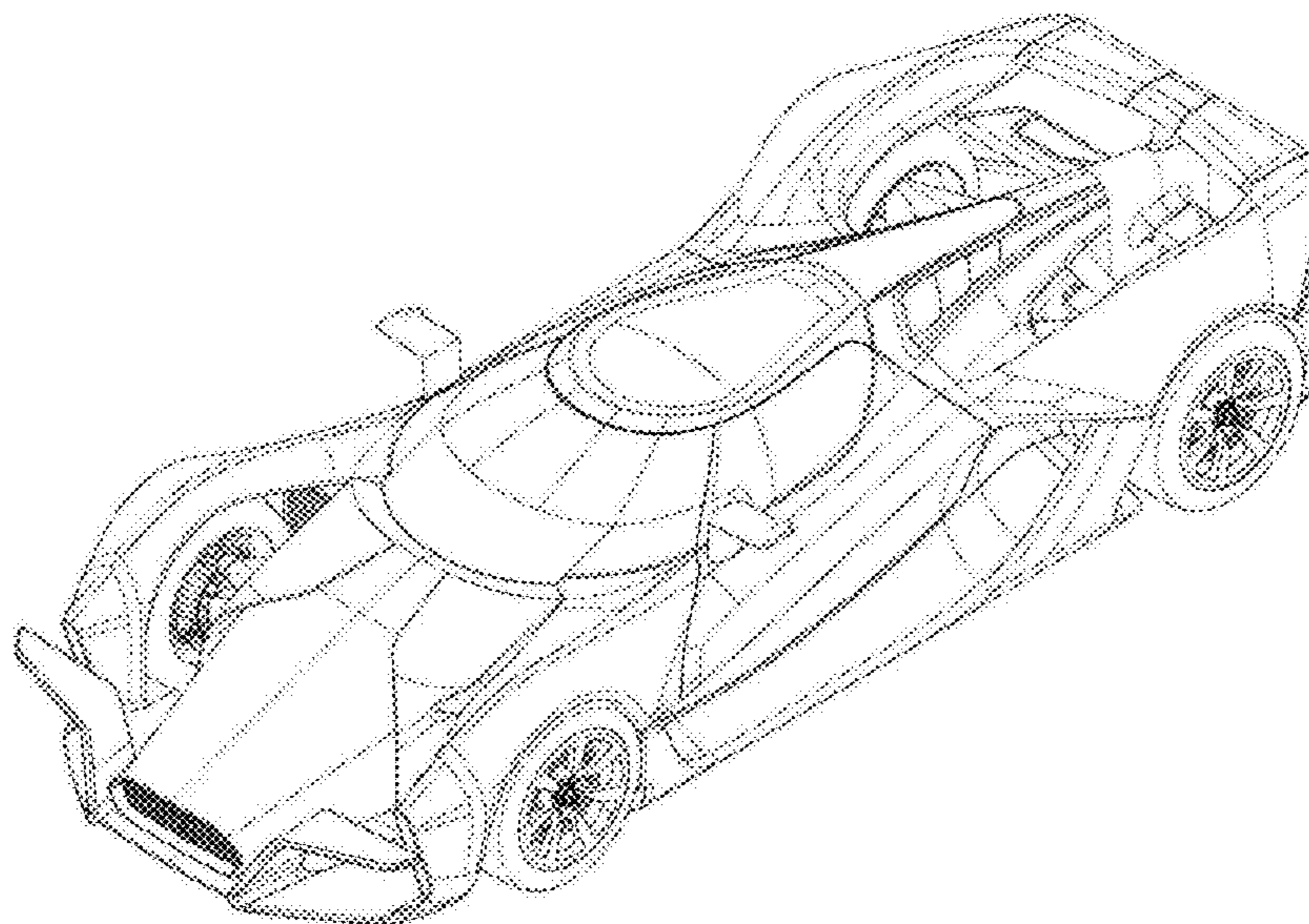
1.10 is a top, front, and right side perspective view thereof;

1.11 is a top, rear, and left side perspective view thereof; and

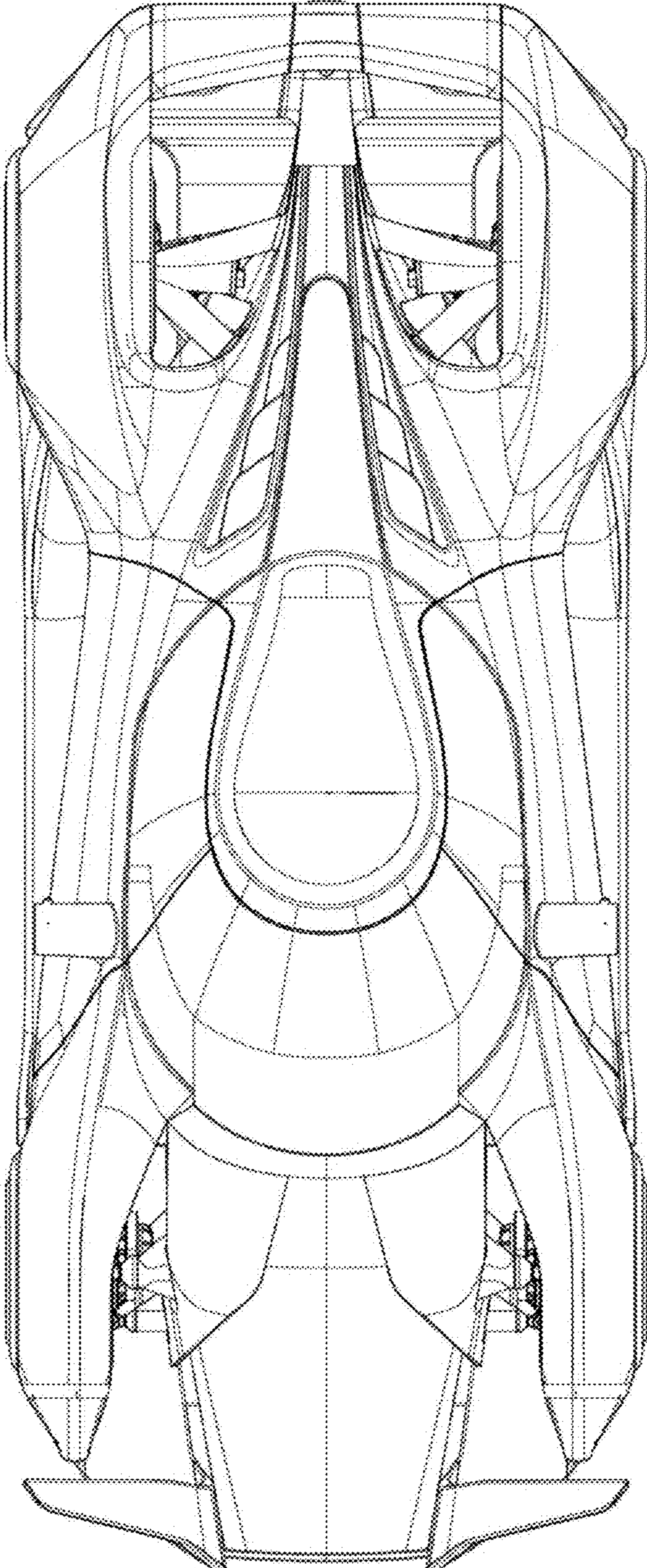
1.12 is a top, rear, and right side perspective view thereof.

Novelty resides in the shape and configuration of a motor car as shown in the reproductions.

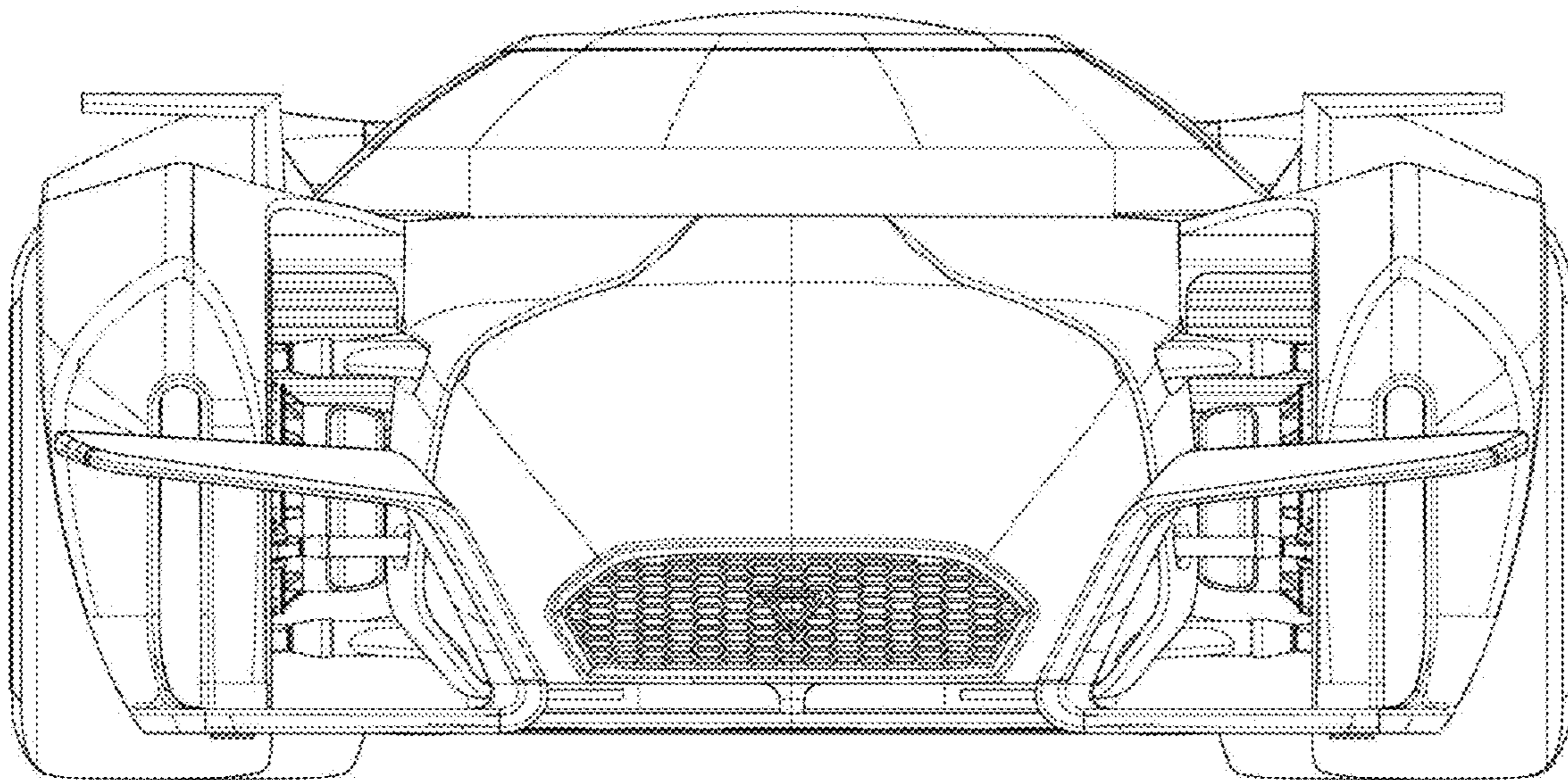
1 Claim, 12 Drawing Sheets



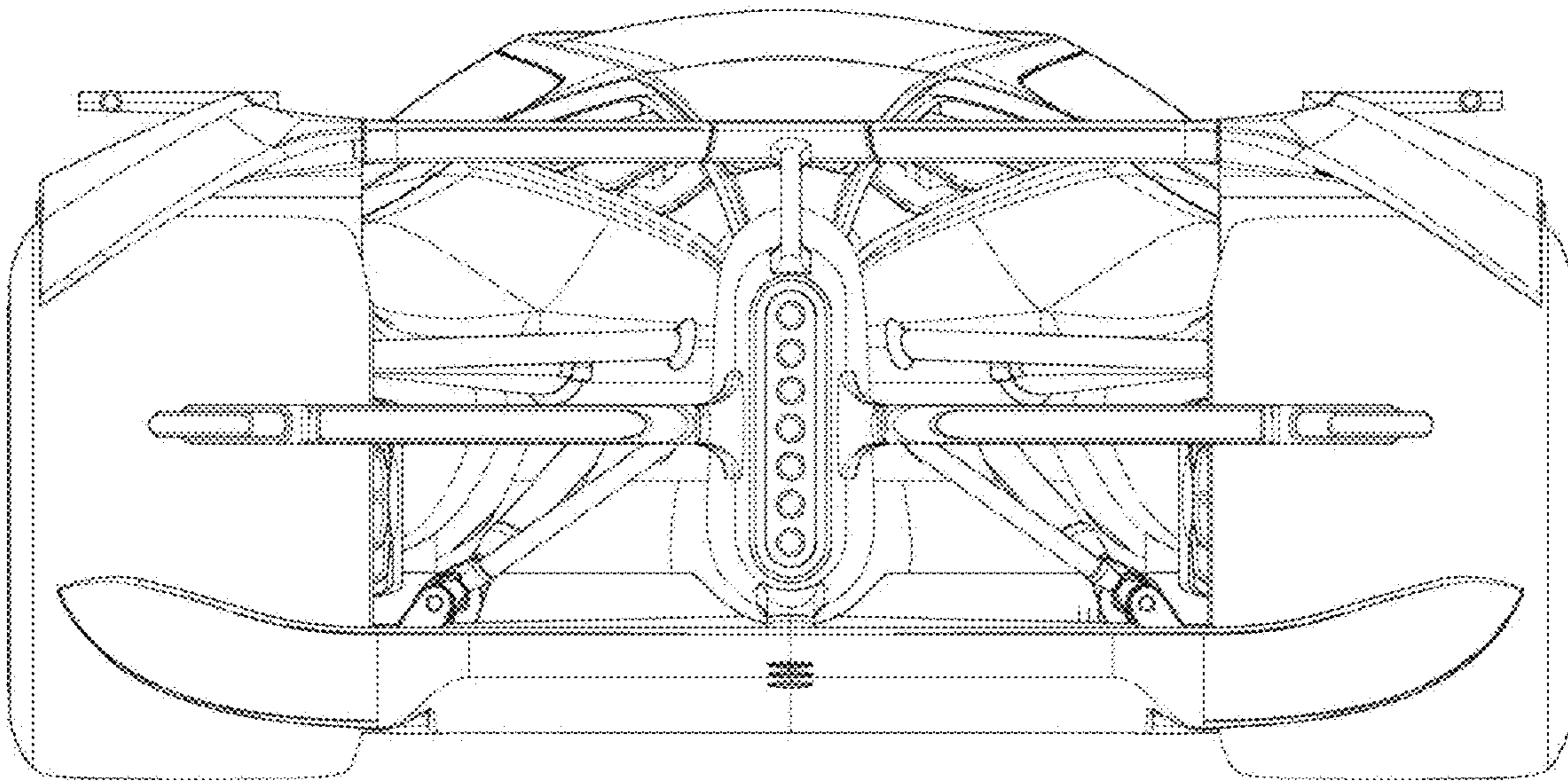
1.1



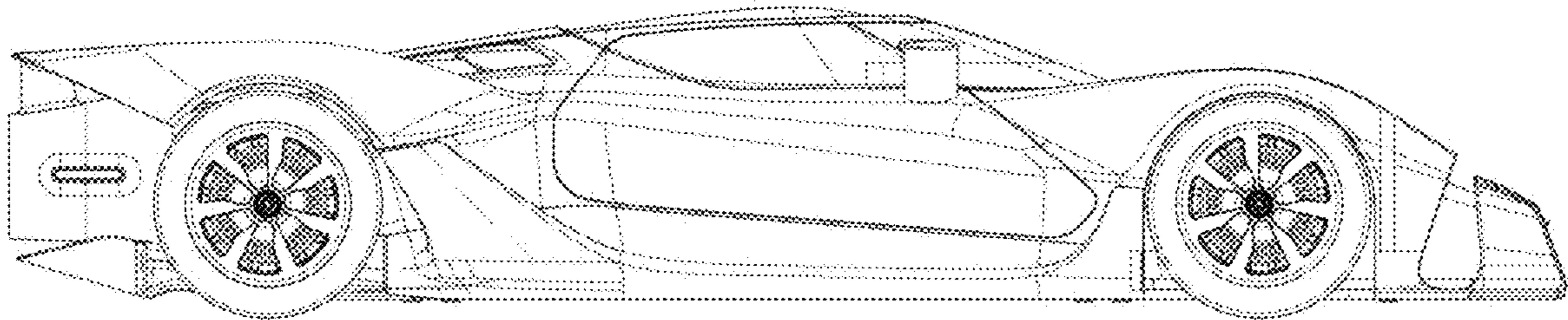
1.2



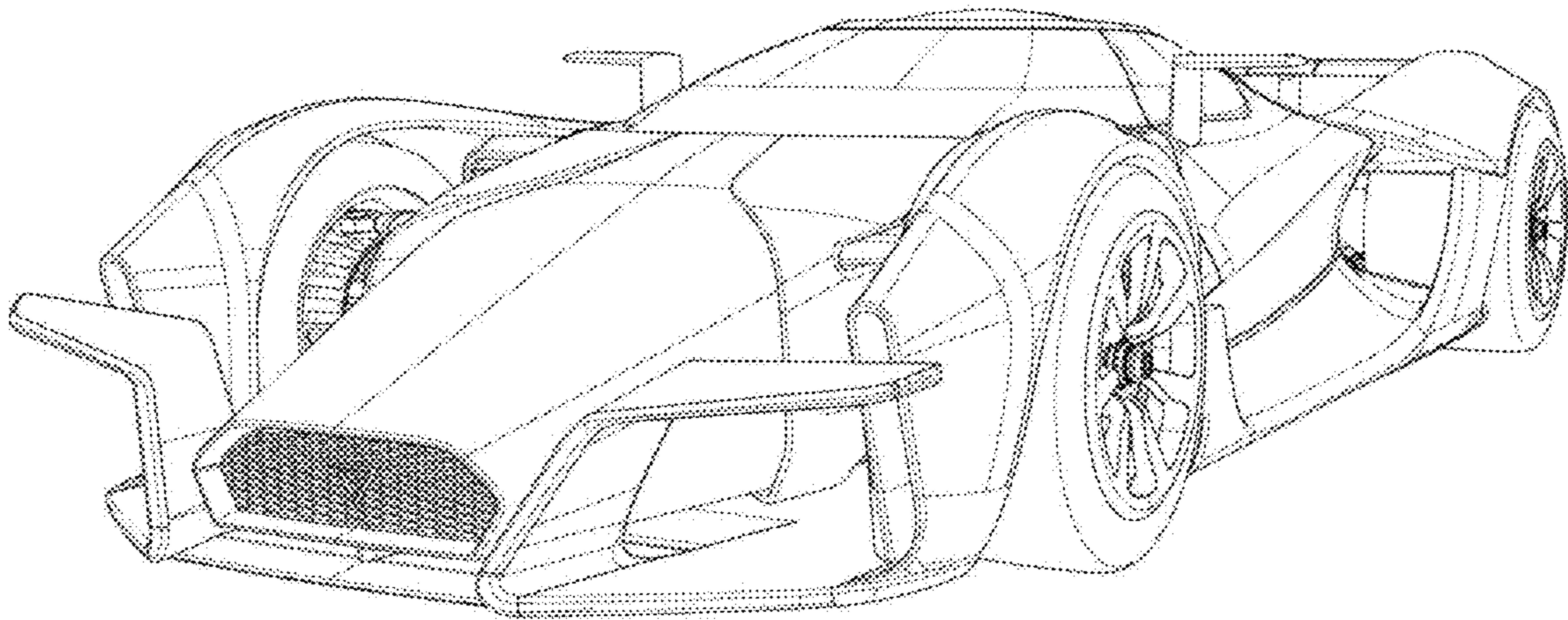
1.3



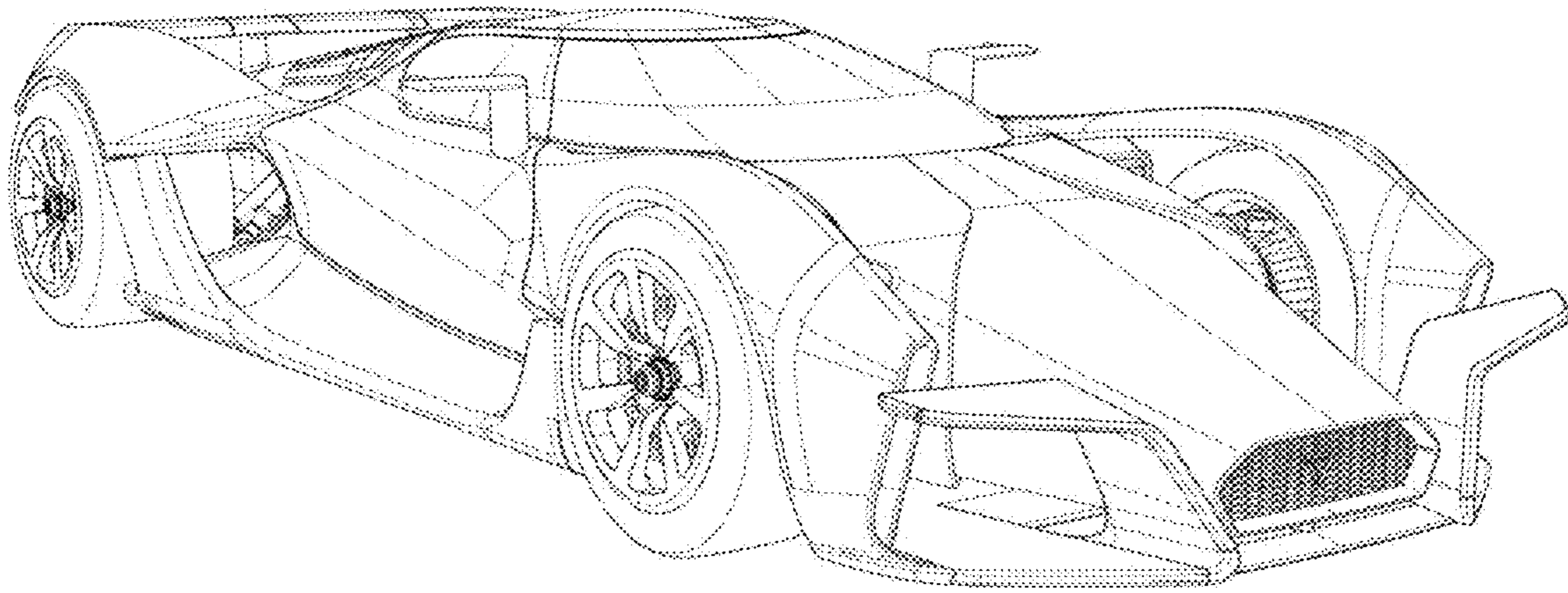
1.4



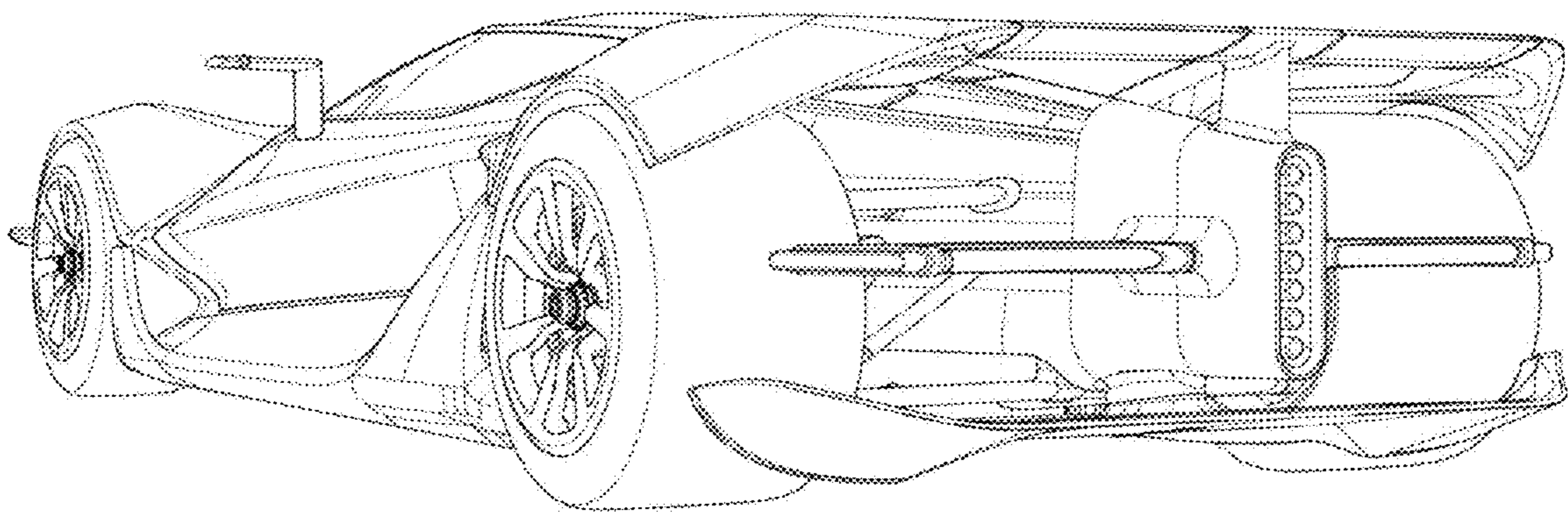
1.5



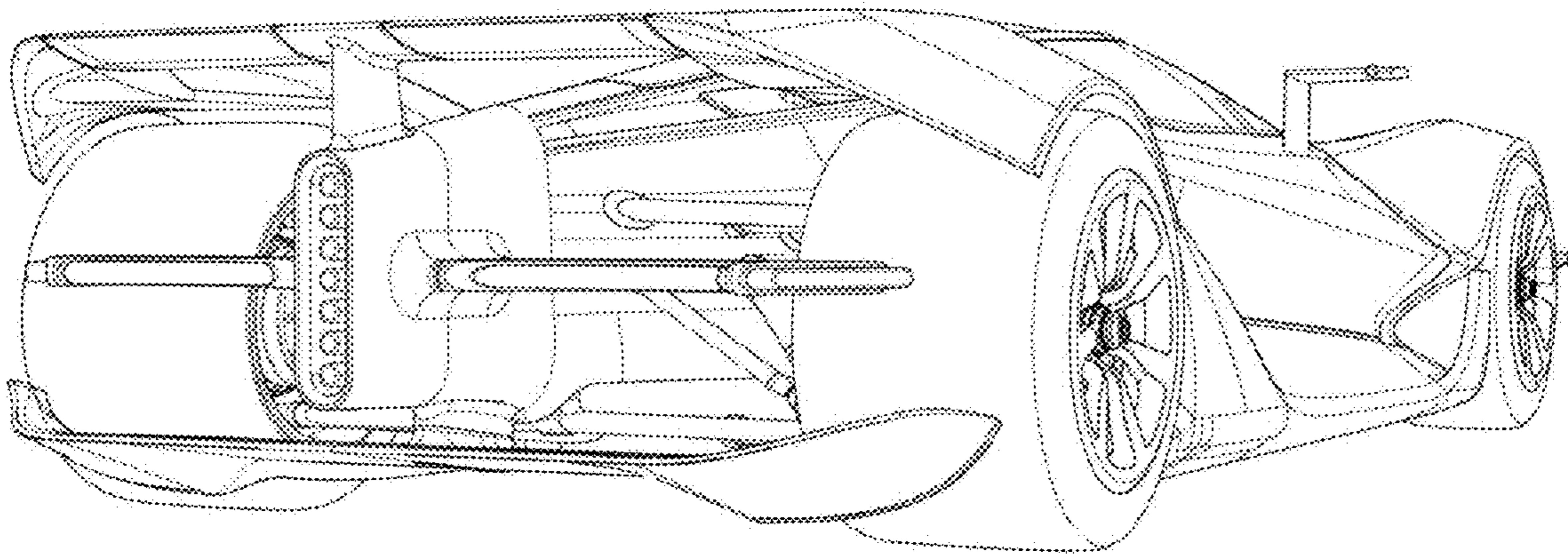
1.6



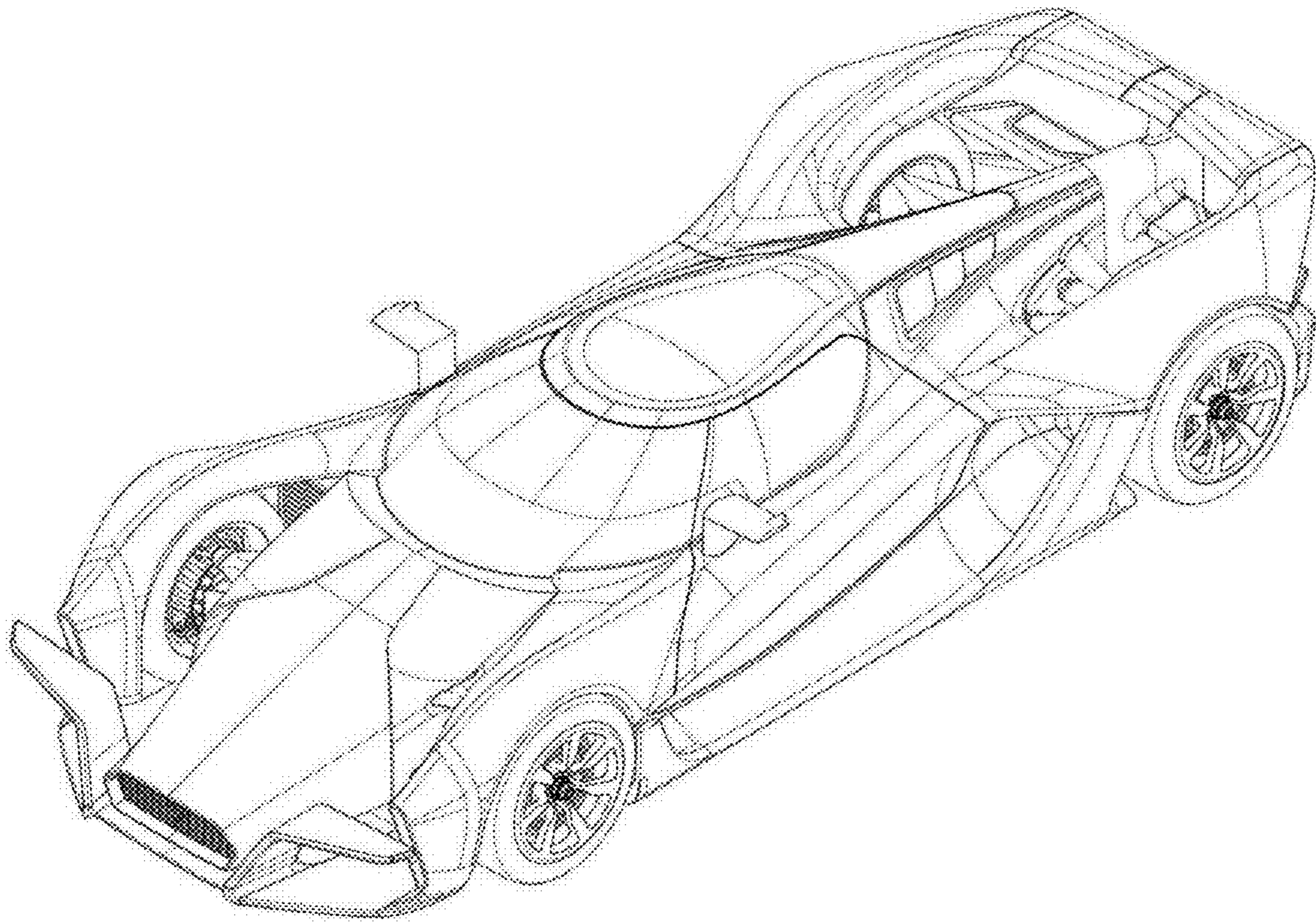
1.7



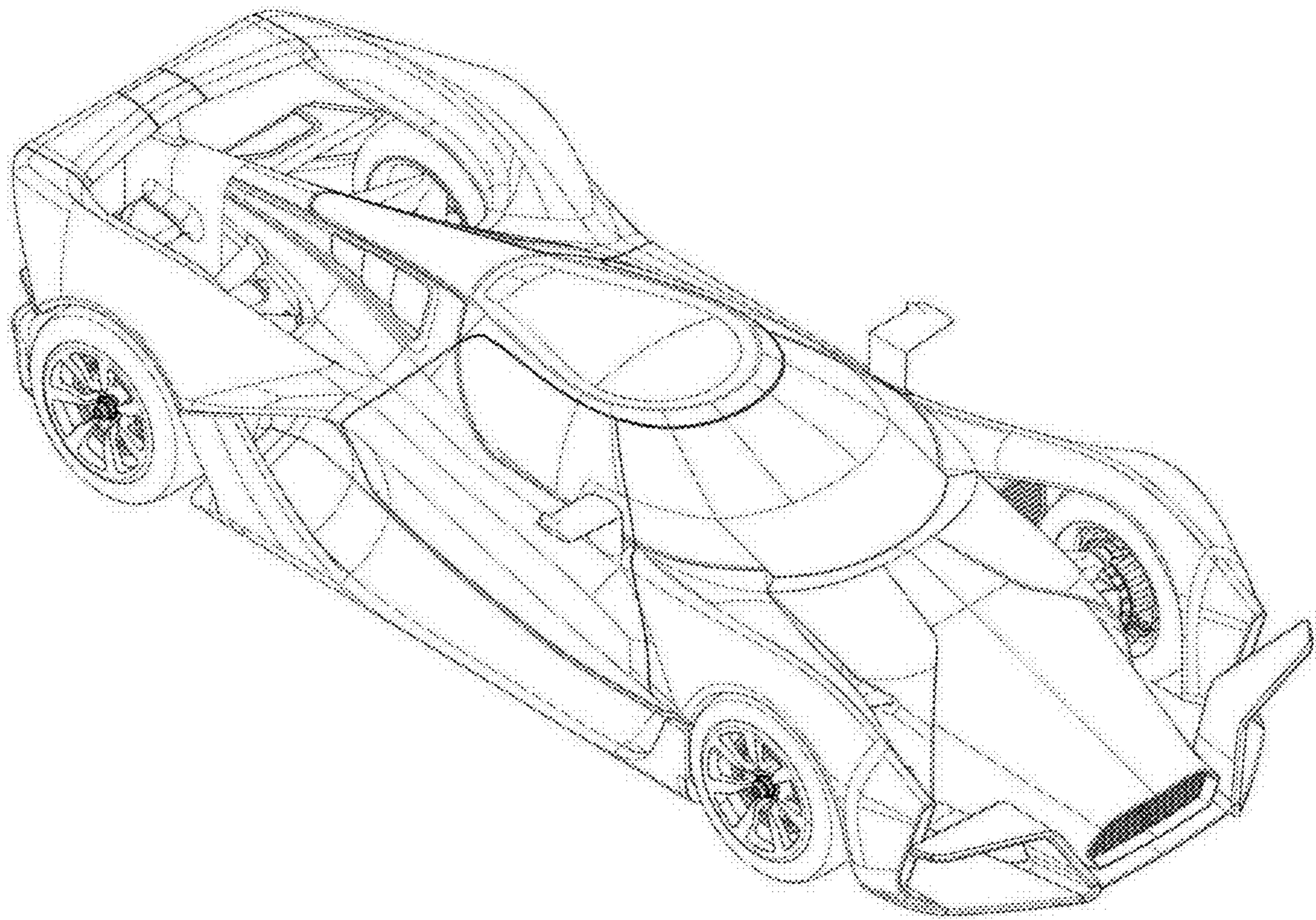
1.8



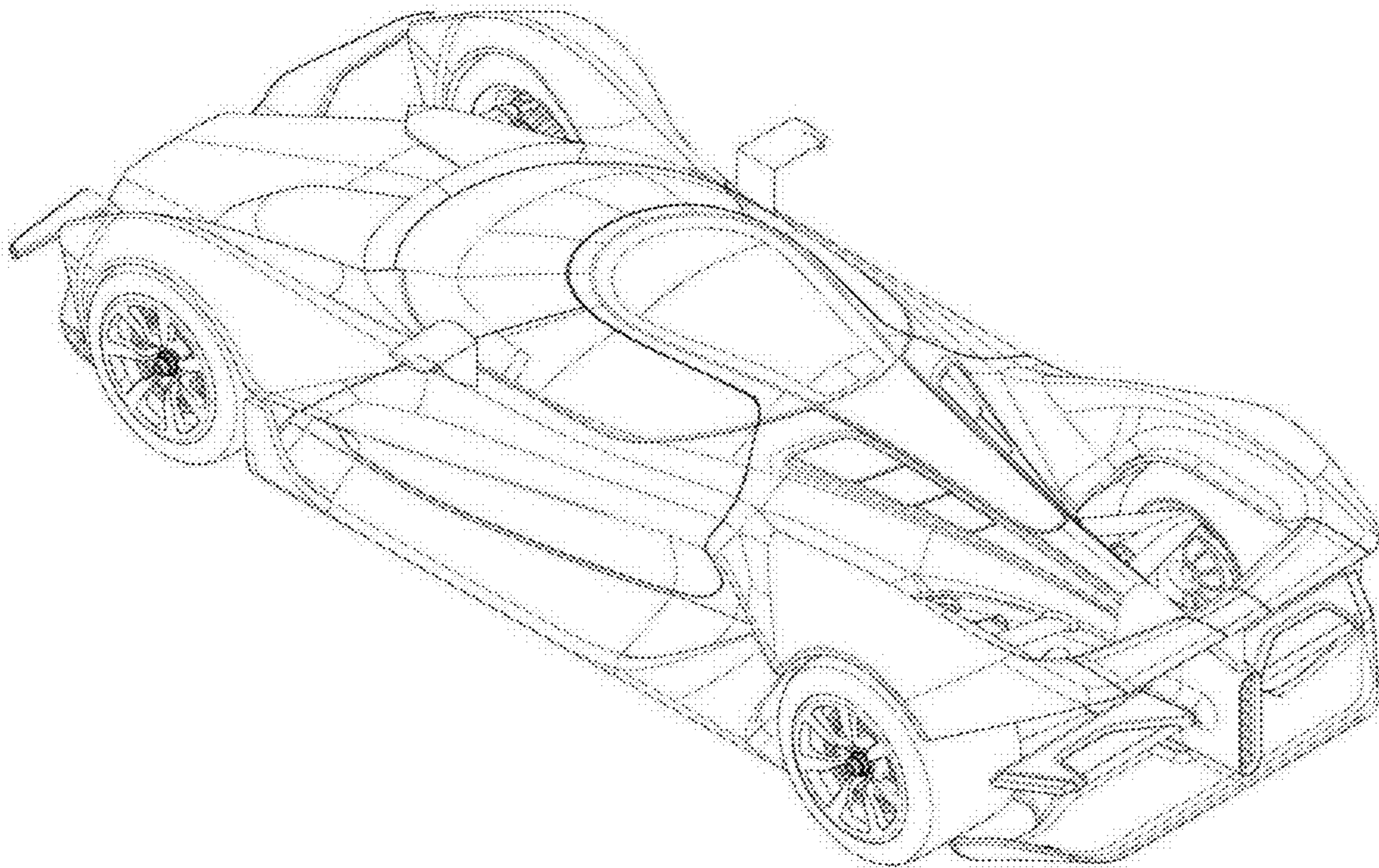
1.9



1.10



1.11



1.12

