



US00D800016S

(12) **United States Design Patent**  
**Huang**

(10) **Patent No.:** **US D800,016 S**  
(45) **Date of Patent:** **\*\* Oct. 17, 2017**

- (54) **UNMANNED AERIAL VEHICLE**
- (71) Applicant: **Shenzhen zero-tech UAV Limited**,  
Shenzhen, Guangdong (CN)
- (72) Inventor: **Xinshui Huang**, Guangdong (CN)
- (73) Assignee: **Shenzhen zero-tech UAV Limited**,  
Shenzhen, Guangdong (CN)
- (\*\*) Term: **15 Years**
- (21) Appl. No.: **29/549,274**
- (22) Filed: **Dec. 21, 2015**
- (30) **Foreign Application Priority Data**  
Nov. 5, 2015 (CN) ..... 2015 3 0438460
- (51) **LOC (10) Cl.** ..... **12-07**
- (52) **U.S. Cl.**  
USPC ..... **D12/16.1**
- (58) **Field of Classification Search**  
USPC ..... D12/16.1, 319-324, 326-345; D21/436,  
D21/441, 443, 444, 446, 447, 448, 449,  
D21/450, 451, 452, 453  
CPC ..... B64C 1/062; B64C 39/024; B64C 27/08;  
B64C 29/00; B64C 39/00; B64C 23/00  
See application file for complete search history.

- (56) **References Cited**  
U.S. PATENT DOCUMENTS  
9,061,763 B1 \* 6/2015 Christensen ..... A63H 17/28  
9,099,902 B2 \* 8/2015 Chen ..... H02K 5/225  
D756,842 S \* 5/2016 Ashjaee ..... D12/16.1  
D768,540 S \* 10/2016 Ji ..... D12/16.1  
D772,991 S \* 11/2016 Caubel ..... D12/16.1

- 2014/0117149 A1 \* 5/2014 Zhou ..... A63H 27/12  
244/17.23
- 2015/0051755 A1 \* 2/2015 Erhart ..... A63H 27/12  
701/2
- 2015/0129711 A1 \* 5/2015 Caubel ..... B64C 27/08  
244/17.23
- 2015/0321755 A1 \* 11/2015 Martin ..... B64C 27/50  
244/17.23
- 2015/0336670 A1 \* 11/2015 Zhang ..... B64C 1/00  
244/119
- 2016/0001879 A1 \* 1/2016 Johannesson ..... B64C 27/50  
416/142
- 2017/0075360 A1 \* 3/2017 Von Novak ..... G05D 1/042
- 2017/0084181 A1 \* 3/2017 Wilson ..... G08G 5/0069

\* cited by examiner

*Primary Examiner* — Robert M Spear  
*Assistant Examiner* — Marissa J Cash  
(74) *Attorney, Agent, or Firm* — Rankin, Hill & Clark  
LLP

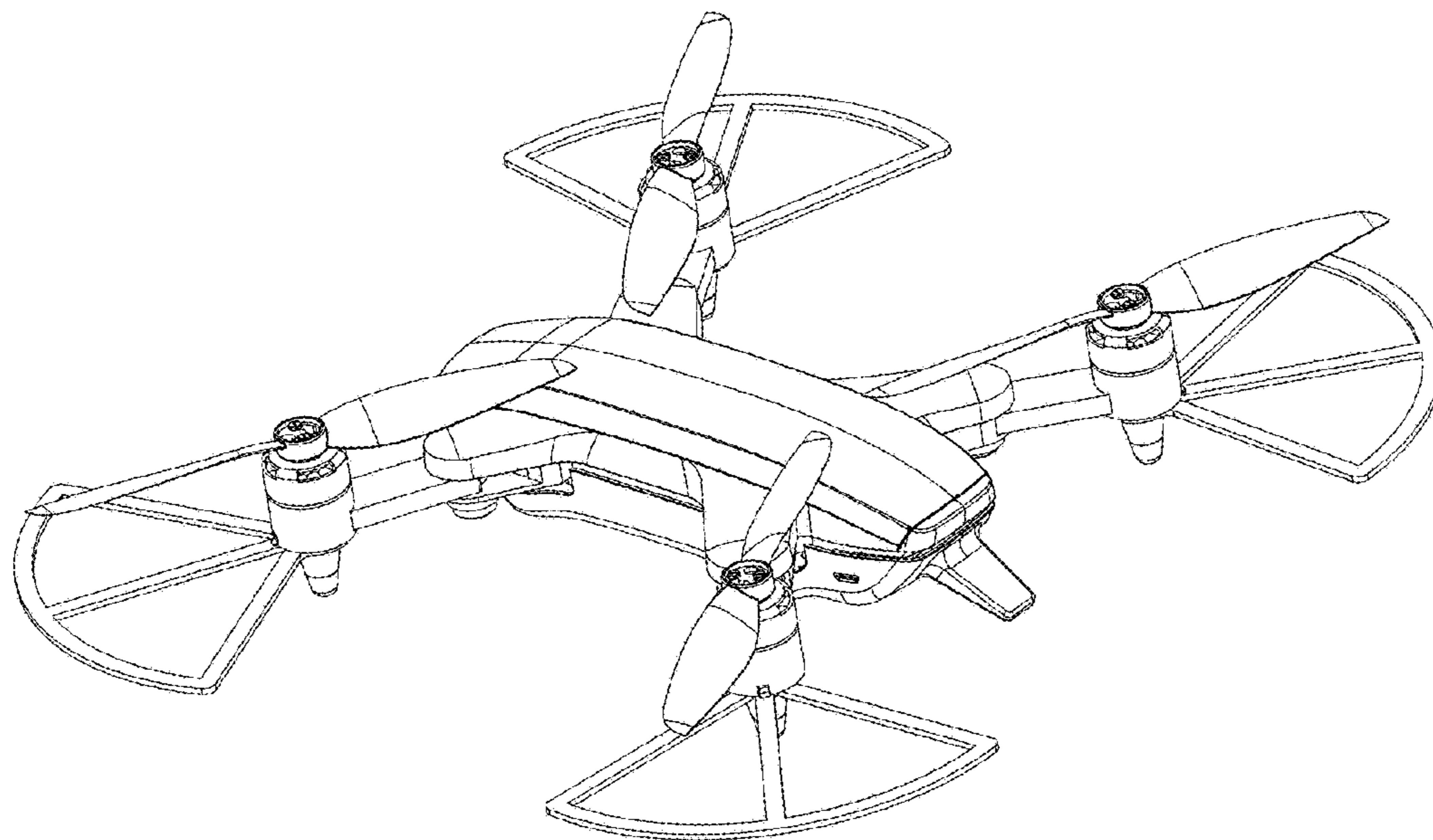
(57) **CLAIM**

The ornamental design for an “unmanned aerial vehicle,” as shown and described.

**DESCRIPTION**

FIG. 1 is a front view of an unmanned aerial vehicle;  
FIG. 2 is a rear view of the unmanned aerial vehicle;  
FIG. 3 is a left side view of the unmanned aerial vehicle;  
FIG. 4 is a right side view of the unmanned aerial vehicle;  
FIG. 5 is a top plan view of the unmanned aerial vehicle;  
FIG. 6 is a bottom plan view of the unmanned aerial vehicle;  
FIG. 7 is a first perspective view of the unmanned aerial vehicle; and,  
FIG. 8 is a second perspective view of the unmanned aerial vehicle.

**1 Claim, 8 Drawing Sheets**



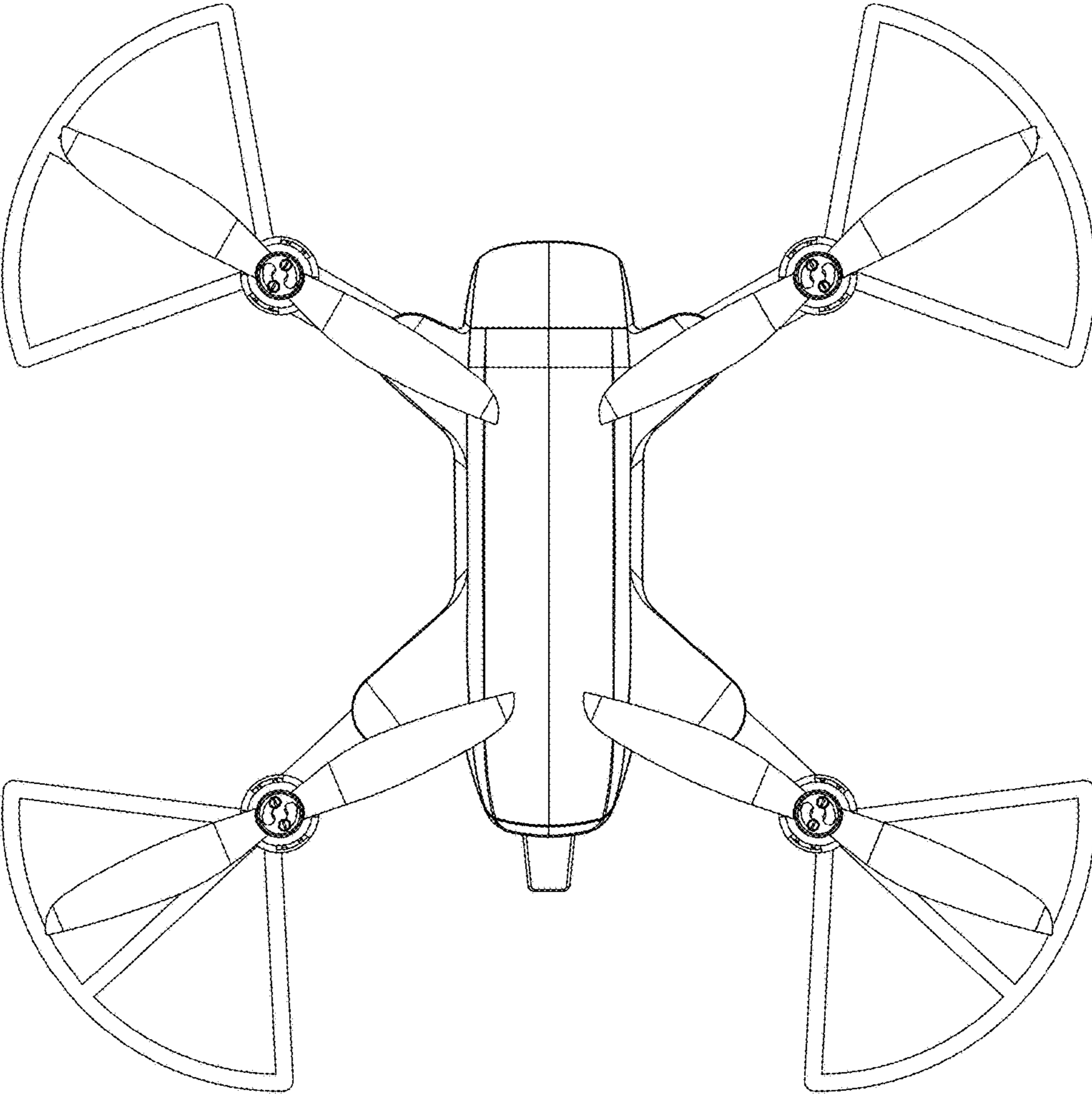


FIG. 1

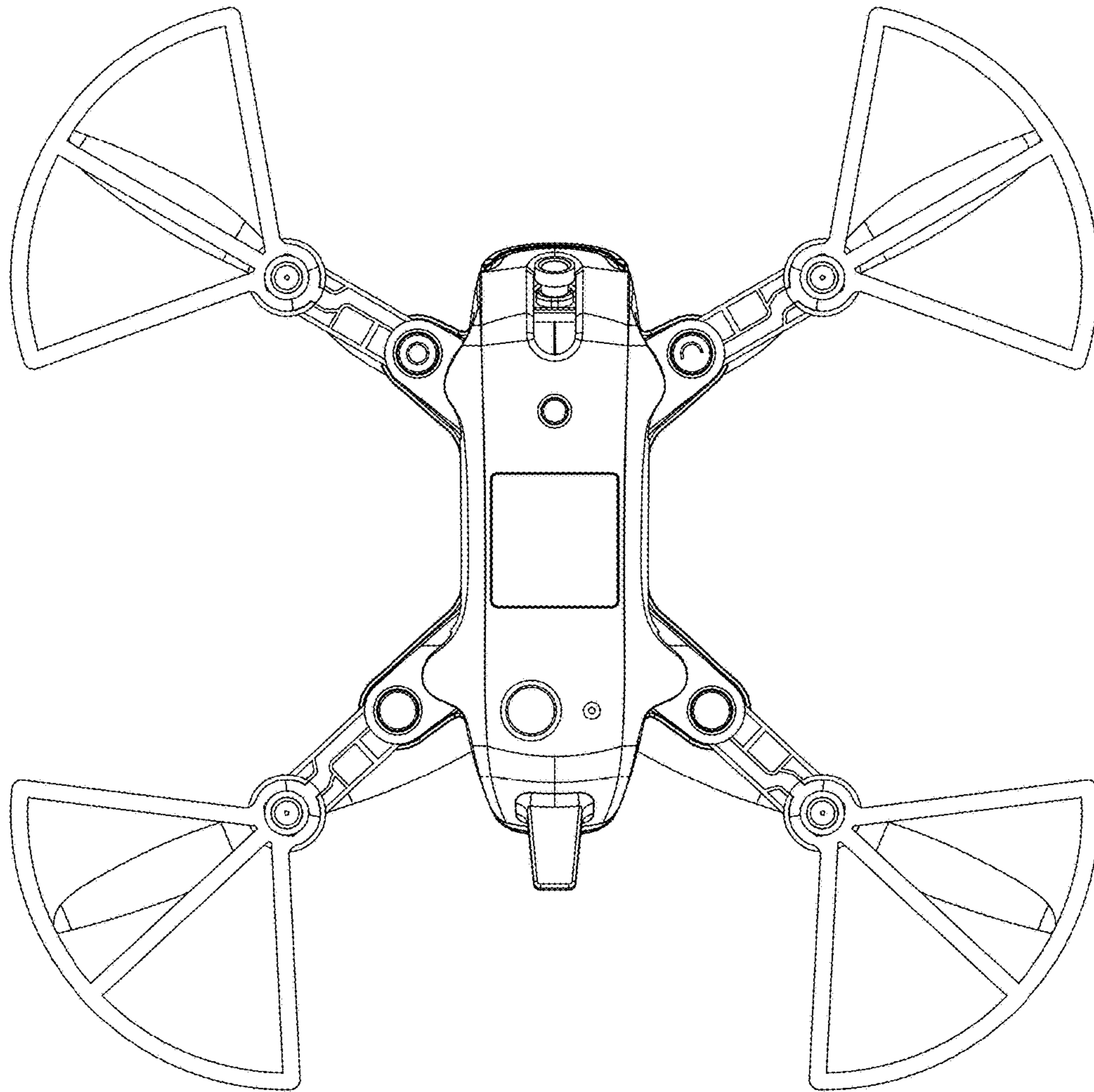


FIG. 2

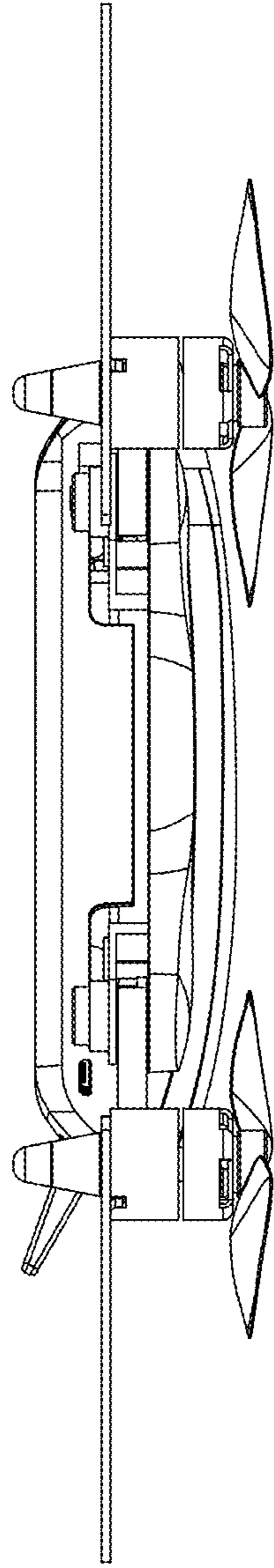


FIG. 3

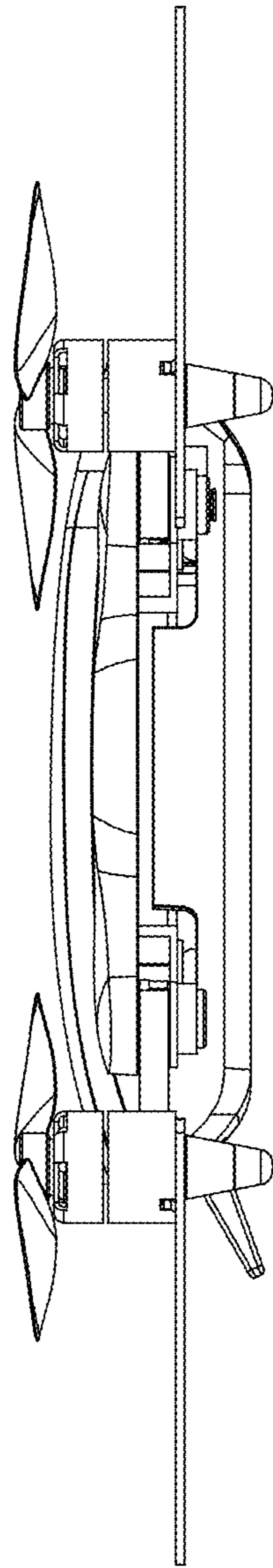


FIG. 4

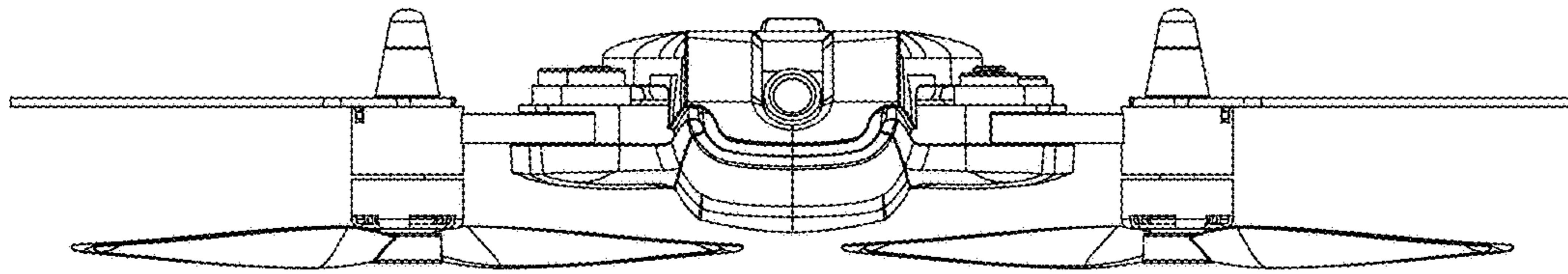


FIG. 5

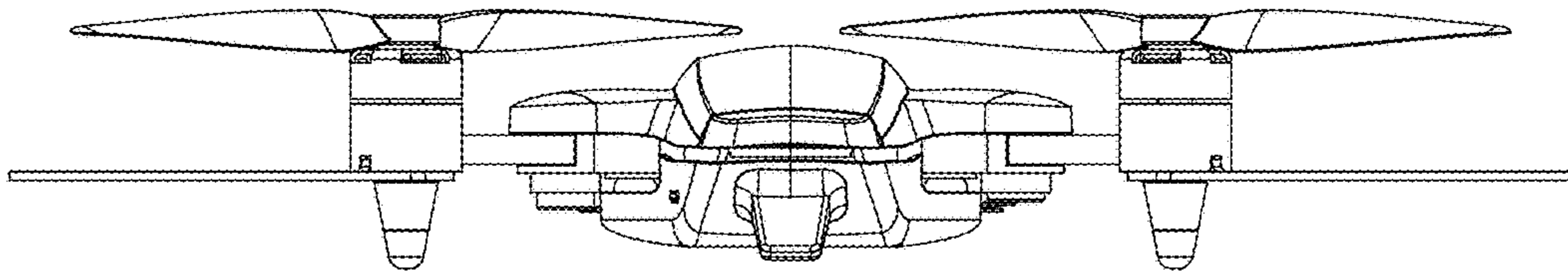


FIG. 6

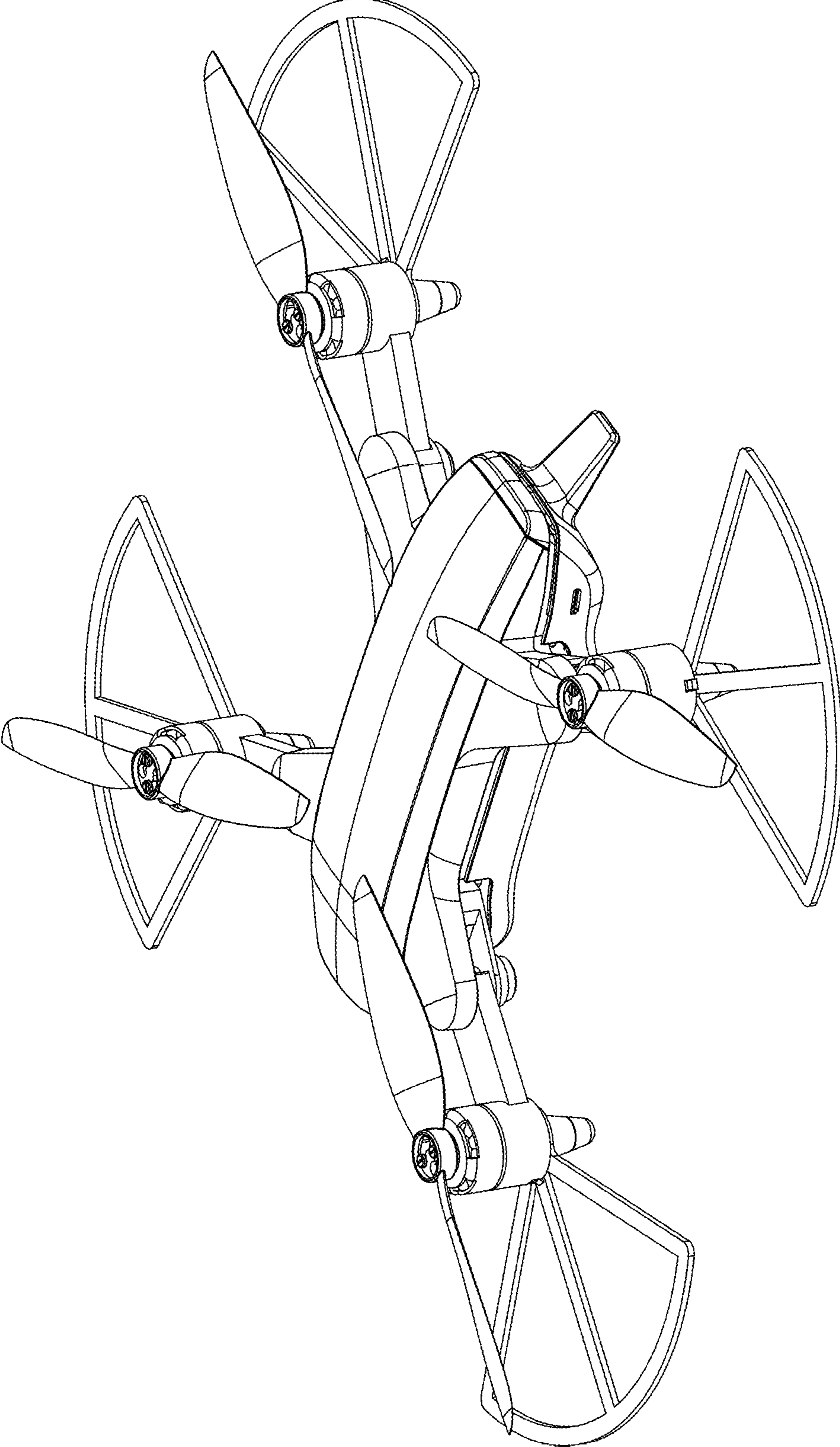


FIG. 7



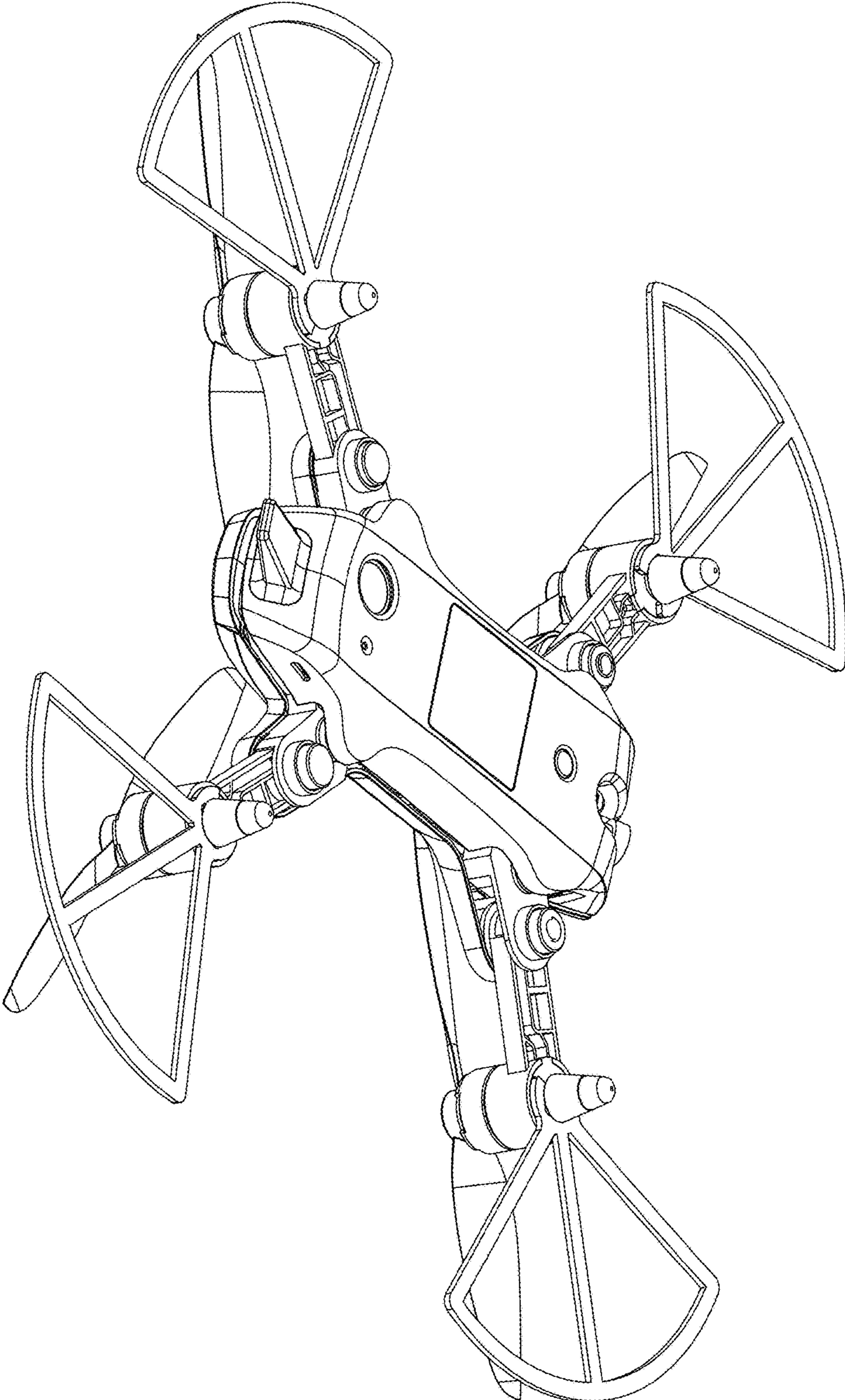


FIG. 8