



US00D800015S

(12) **United States Design Patent** (10) **Patent No.:** **US D800,015 S**
Lyons et al. (45) **Date of Patent:** **** Oct. 17, 2017**

- (54) **UTILITY VEHICLE** 8,517,423 B1 * 8/2013 Huston B62D 21/02
280/781
- (71) Applicant: **CLUB CAR LLC**, Evans, GA (US) D716,693 S 11/2014 Higashikawa
2007/0214818 A1 * 9/2007 Nakamura B60H 1/00378
62/239
- (72) Inventors: **Samuel R. Lyons**, Appling, GA (US);
Dean J. Long, Lakewood Ranch, FL
(US); **Daniel R. Dykstra**, Martinez, GA
(US); **Carrie S. Harrison**, Evans, GA
(US); **Brandon S. Jaremski**, Evans,
GA (US); **Craig A. Dullinger**,
Litchfield, MN (US); **Randy R.**
Reinke, Minnetonka, MN (US) 2012/0019376 A1 1/2012 Kwon et al.
2015/0076854 A1 * 3/2015 Salamon B60J 1/04
296/96.2
2016/0186705 A1 * 6/2016 Tsumiyama F02M 35/162
180/68.3
2016/0207418 A1 * 7/2016 Bergstrom B60L 11/1879
2017/0029036 A1 * 2/2017 Proulx B60N 2/24

* cited by examiner

- (73) Assignee: **Club Car LLC**, Evans, GA (US)
- (**) Term: **15 Years**

Primary Examiner — T. Chase Nelson
Assistant Examiner — Ania Aman
(74) *Attorney, Agent, or Firm* — Taft, Stettinius &
Hollister LLP

- (21) Appl. No.: **29/558,850**
- (22) Filed: **Mar. 22, 2016**

Related U.S. Application Data

- (63) Continuation of application No. 29/469,705, filed on Oct. 14, 2013, now Pat. No. Des. 755,077.

- (51) **LOC (10) Cl.** **12-02**
- (52) **U.S. Cl.**
USPC **D12/16**

- (58) **Field of Classification Search**
USPC D12/14, 1, 87, 86, 433, 15, 16, 107, 82,
D12/88, 89, 90, 91, 92, 93; D21/803
CPC B62D 35/00; B62D 39/00; B62D 47/00;
B62D 47/003; B62D 63/02; B62D
33/0617; B62D 33/00; A01B 59/02; B60L
2200/22; B60Y 2200/86; B60Y 2200/91;
B60P 1/00; B60P 1/003; B60R 21/13
See application file for complete search history.

- (56) **References Cited**

U.S. PATENT DOCUMENTS

- D621,423 S 8/2010 Nakanishi et al.
- D682,738 S 5/2013 Li et al.

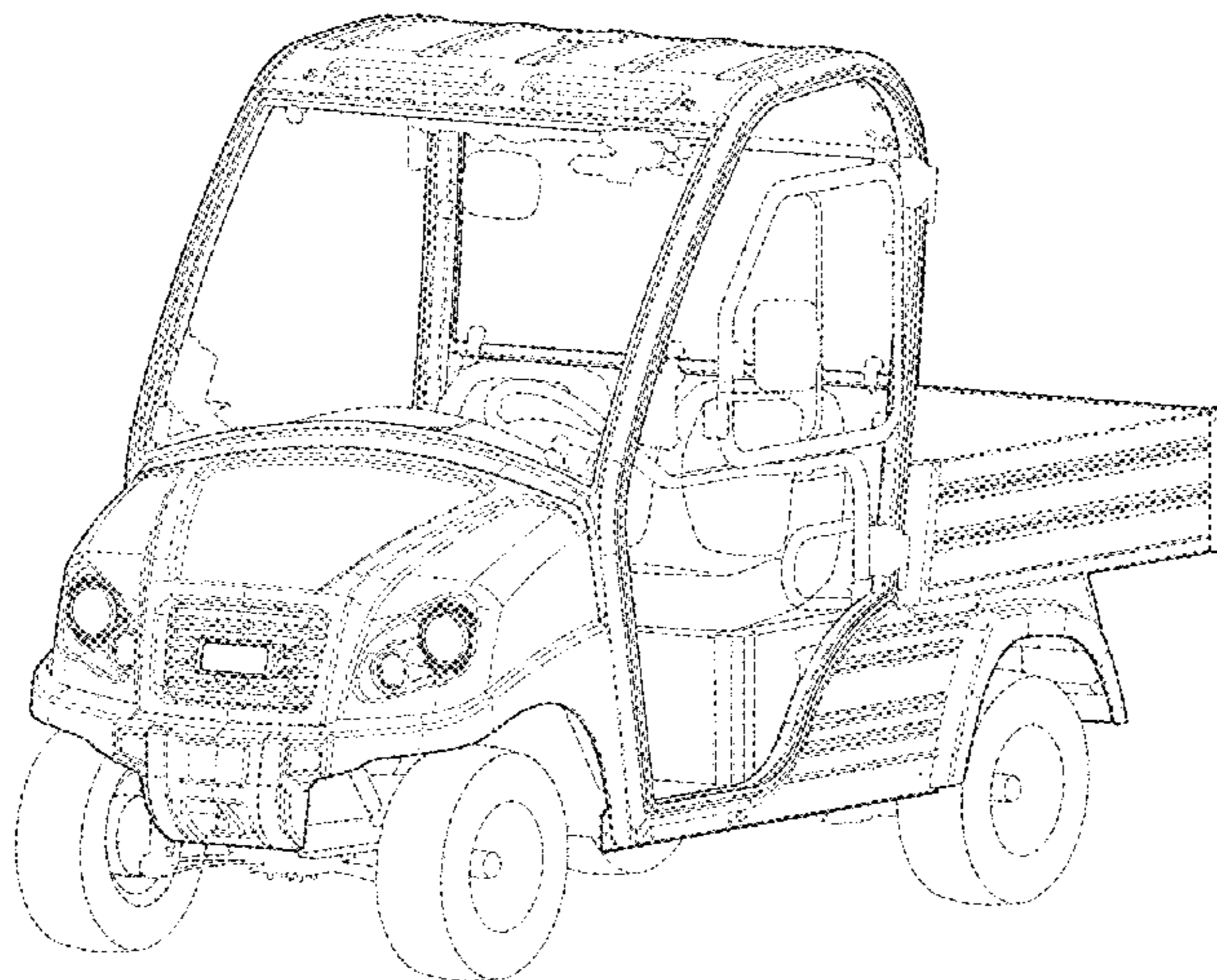
(57) **CLAIM**

The ornamental design for a utility vehicle, as shown and described.

DESCRIPTION

FIG. 1 is a front, right-side perspective view of the utility vehicle.
FIG. 2 is a rear, right-side perspective view thereof.
FIG. 3 is a front, left-side perspective view thereof.
FIG. 4 is a rear, left-side perspective view thereof.
FIG. 5 is a top view thereof.
FIG. 6 is a right-side elevational view thereof.
FIG. 7 is a left-side elevational view thereof.
FIG. 8 is a front devotional view thereof; and,
FIG. 9 is a rear devotional view thereof.
FIGS. 1-9 show certain portions of the utility vehicle and/or its environment in phantom lines. The phantom lines show elements that form no part of the claimed design.

1 Claim, 8 Drawing Sheets



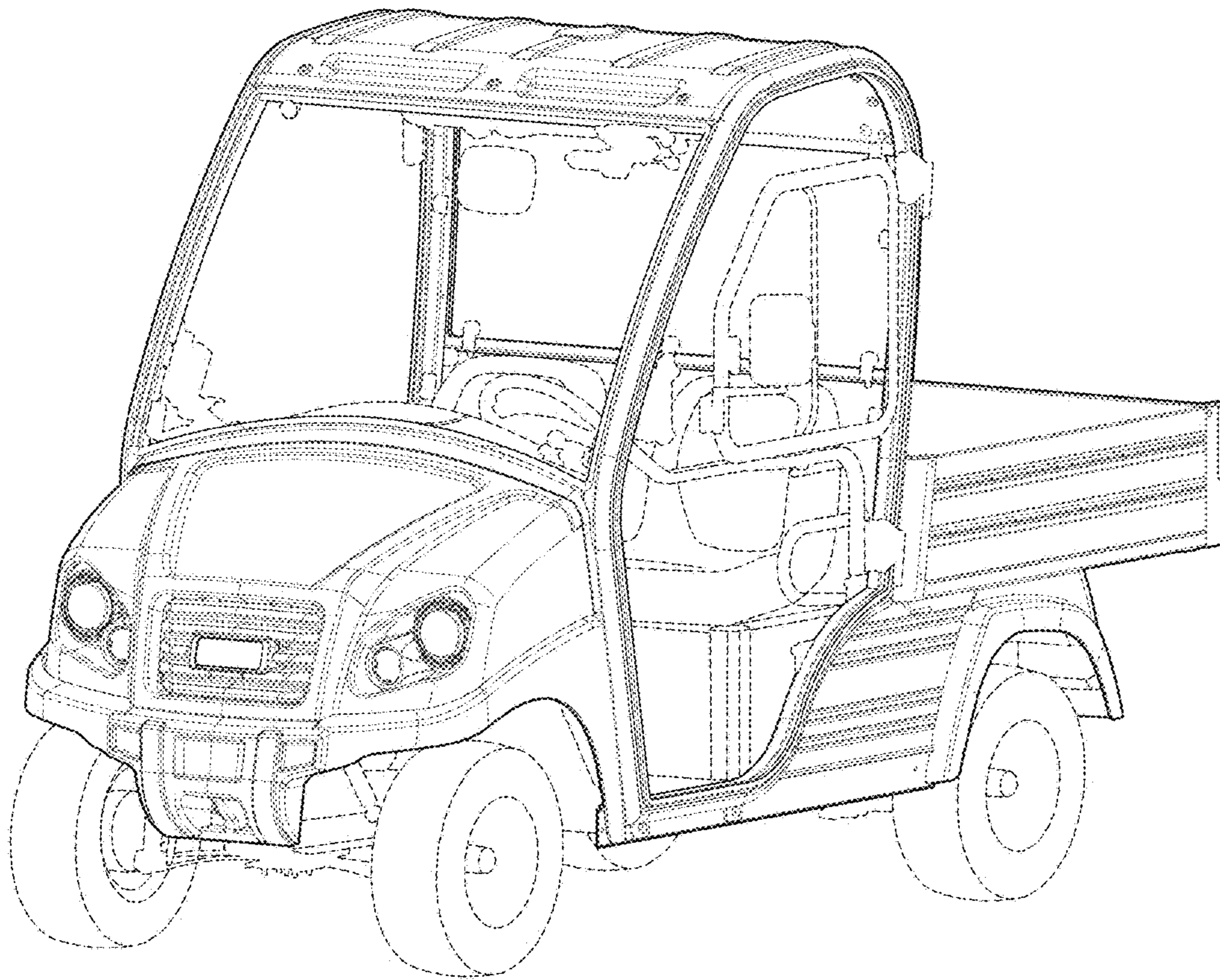


Fig. 1

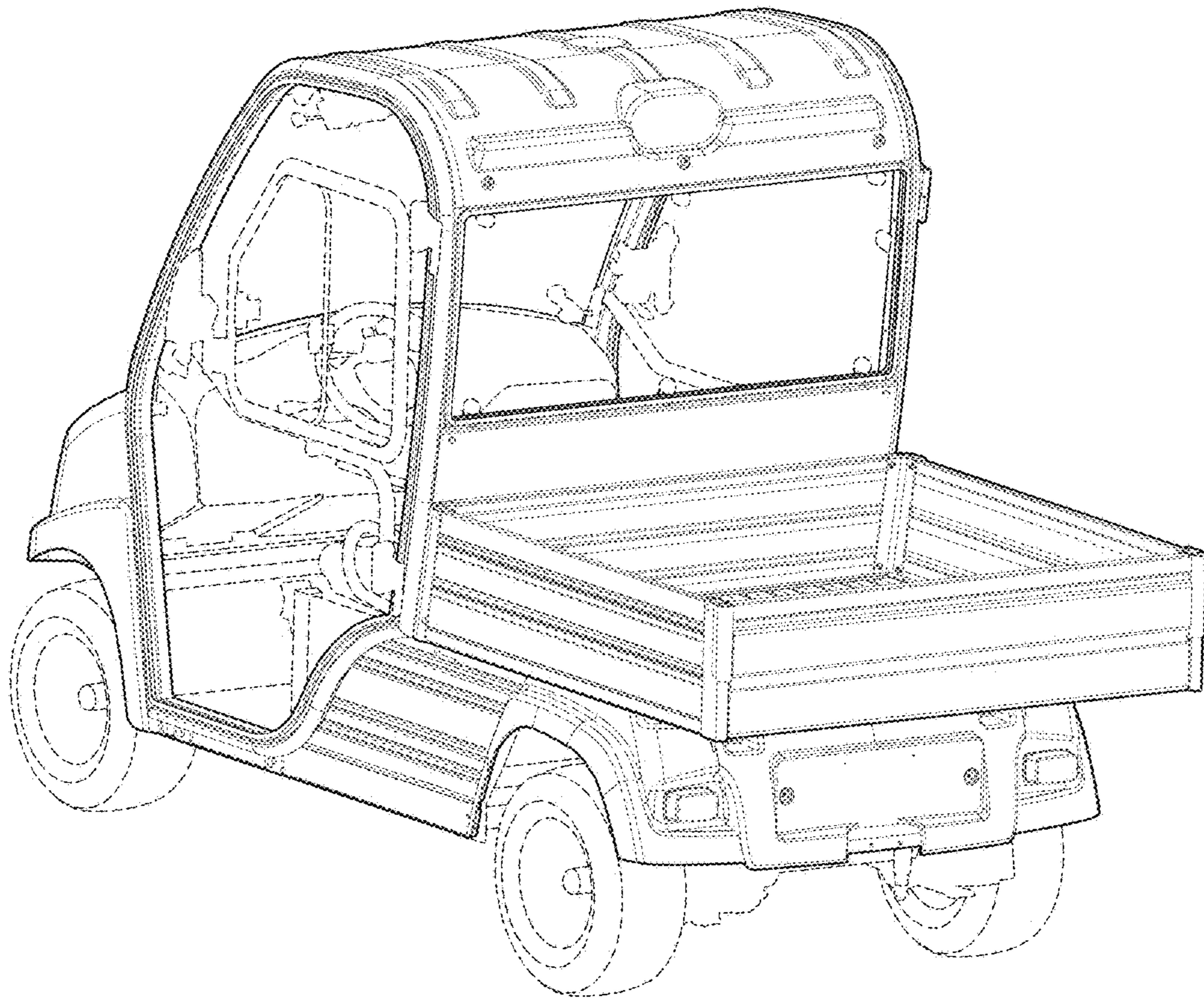


Fig. 2

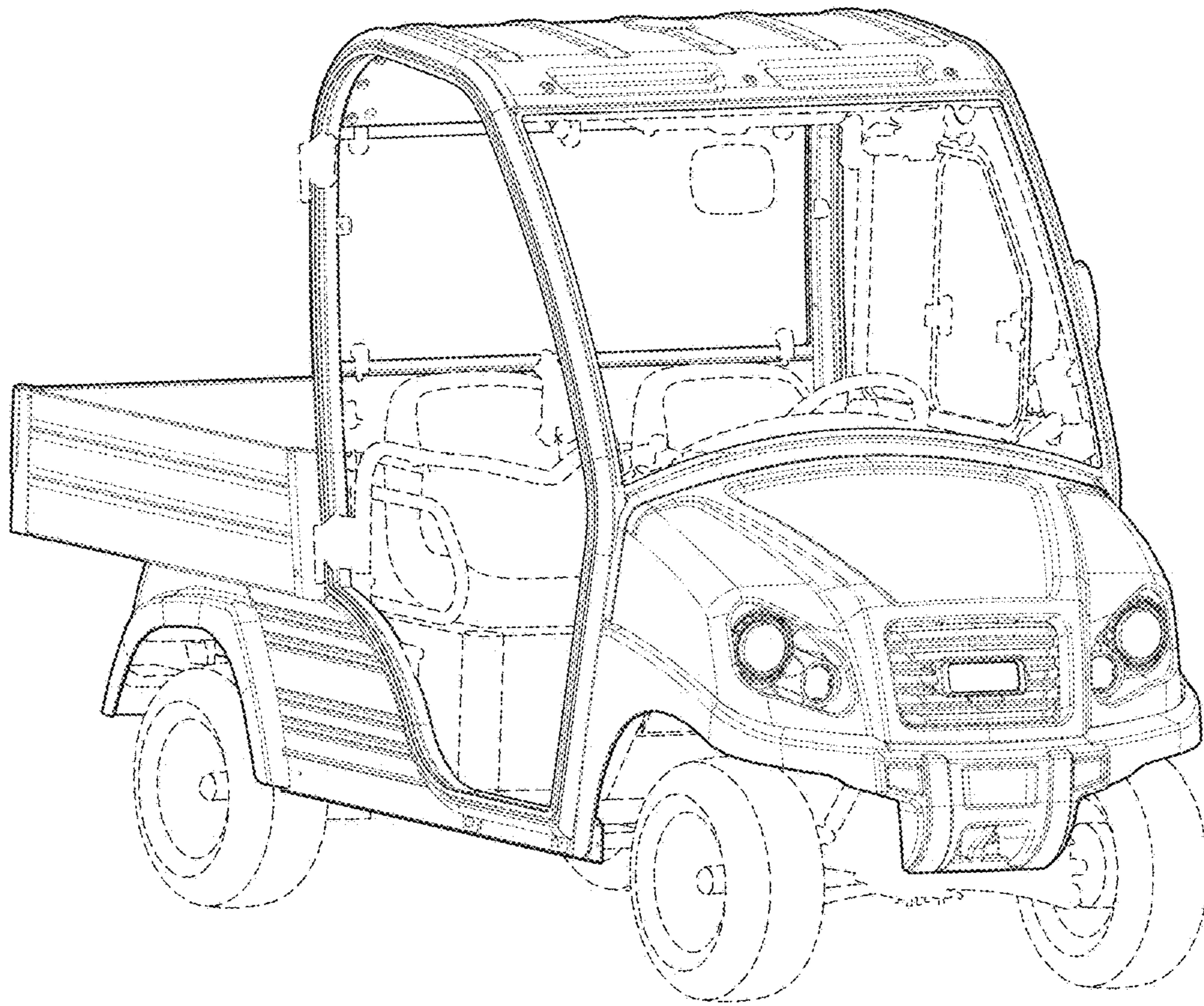


Fig. 3

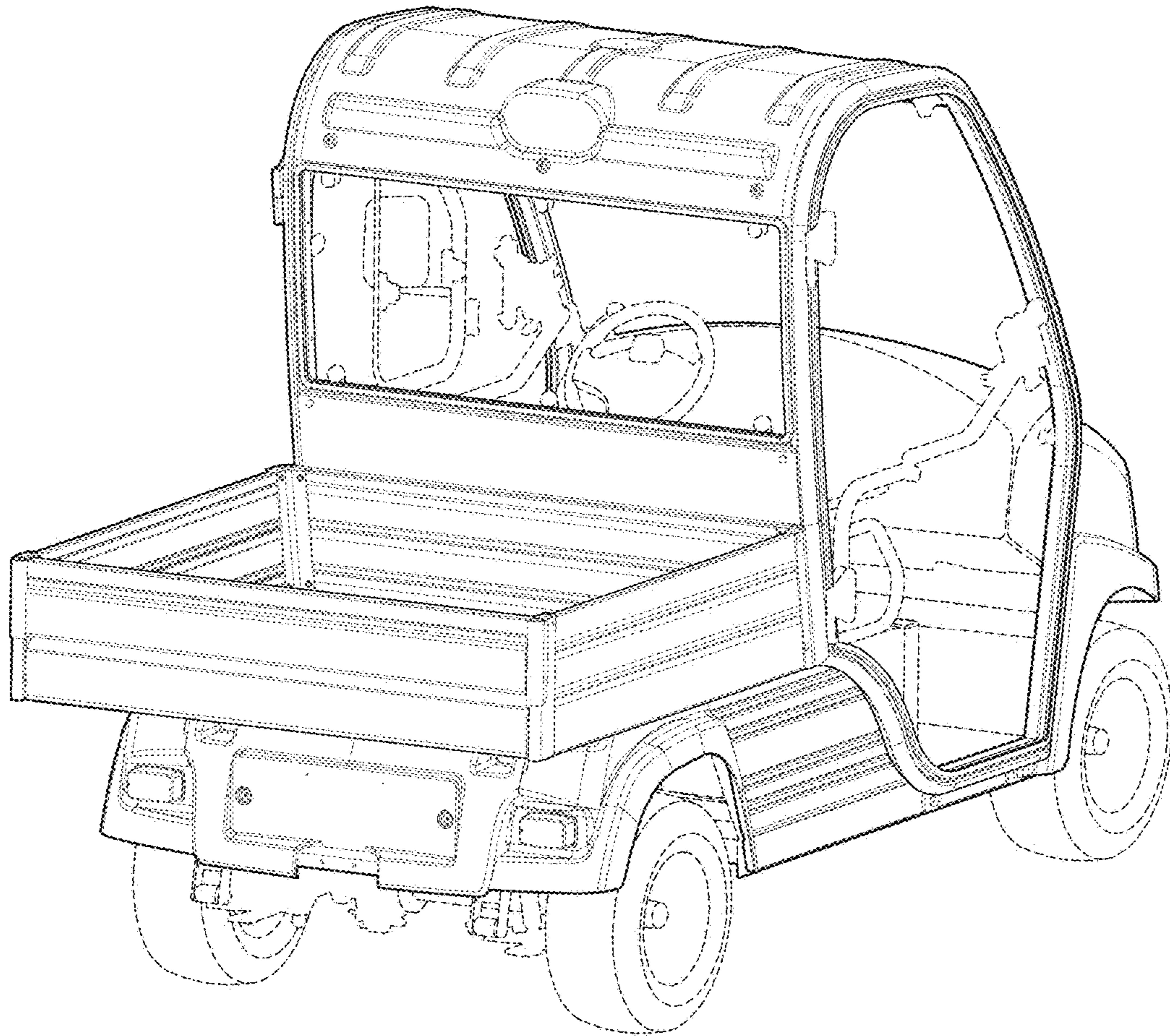


Fig. 4

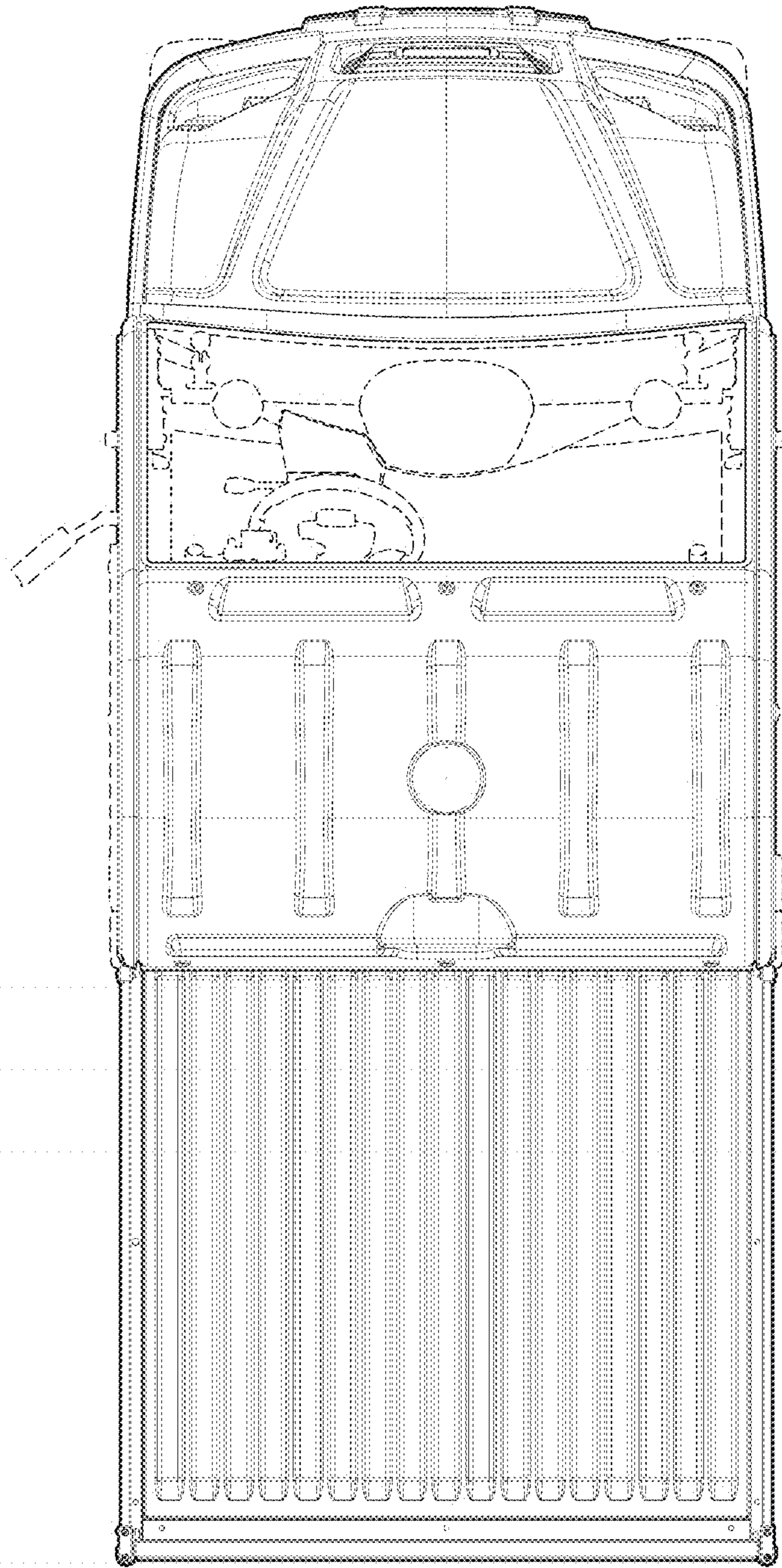


Fig. 5

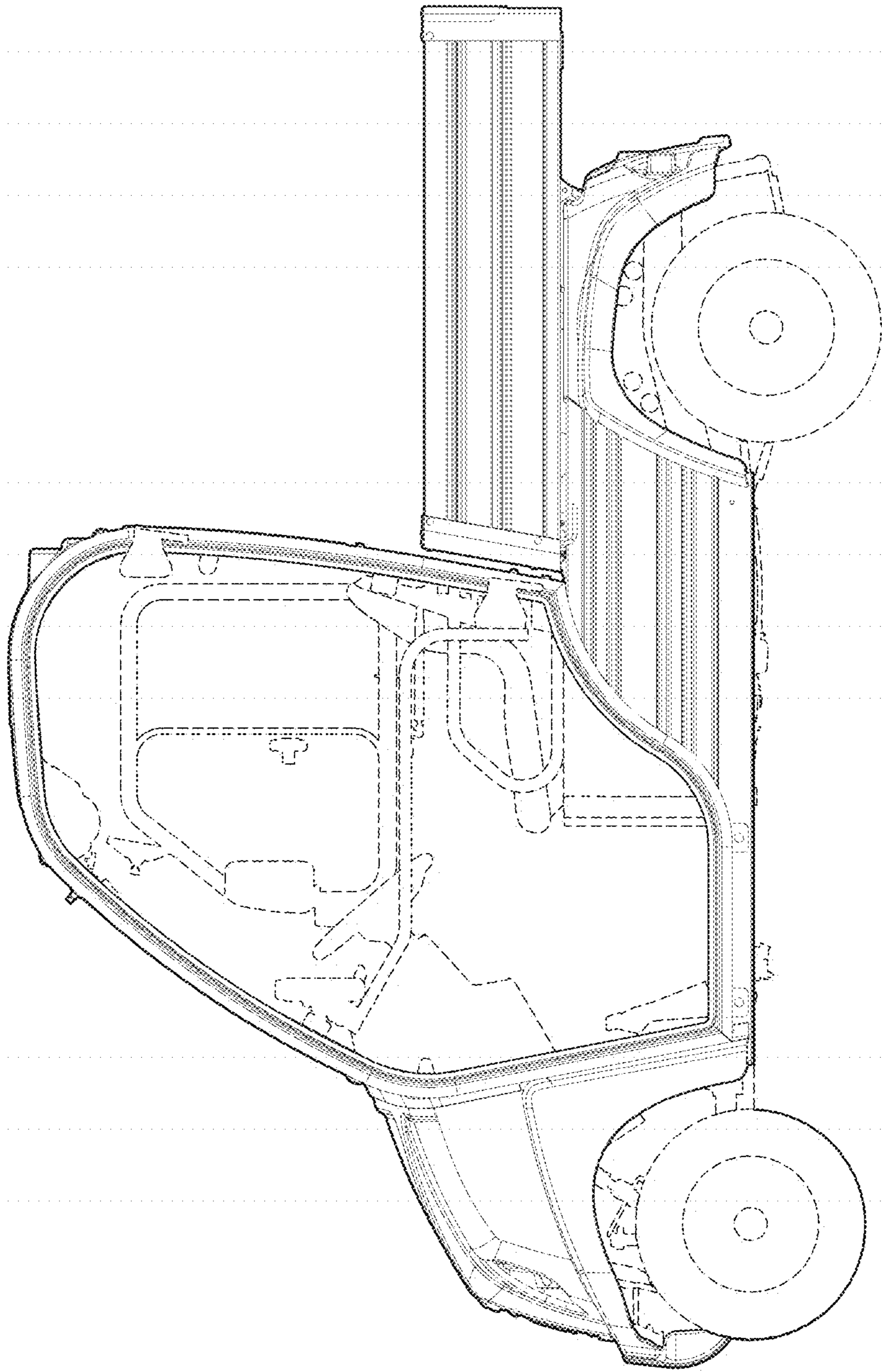


Fig. 6

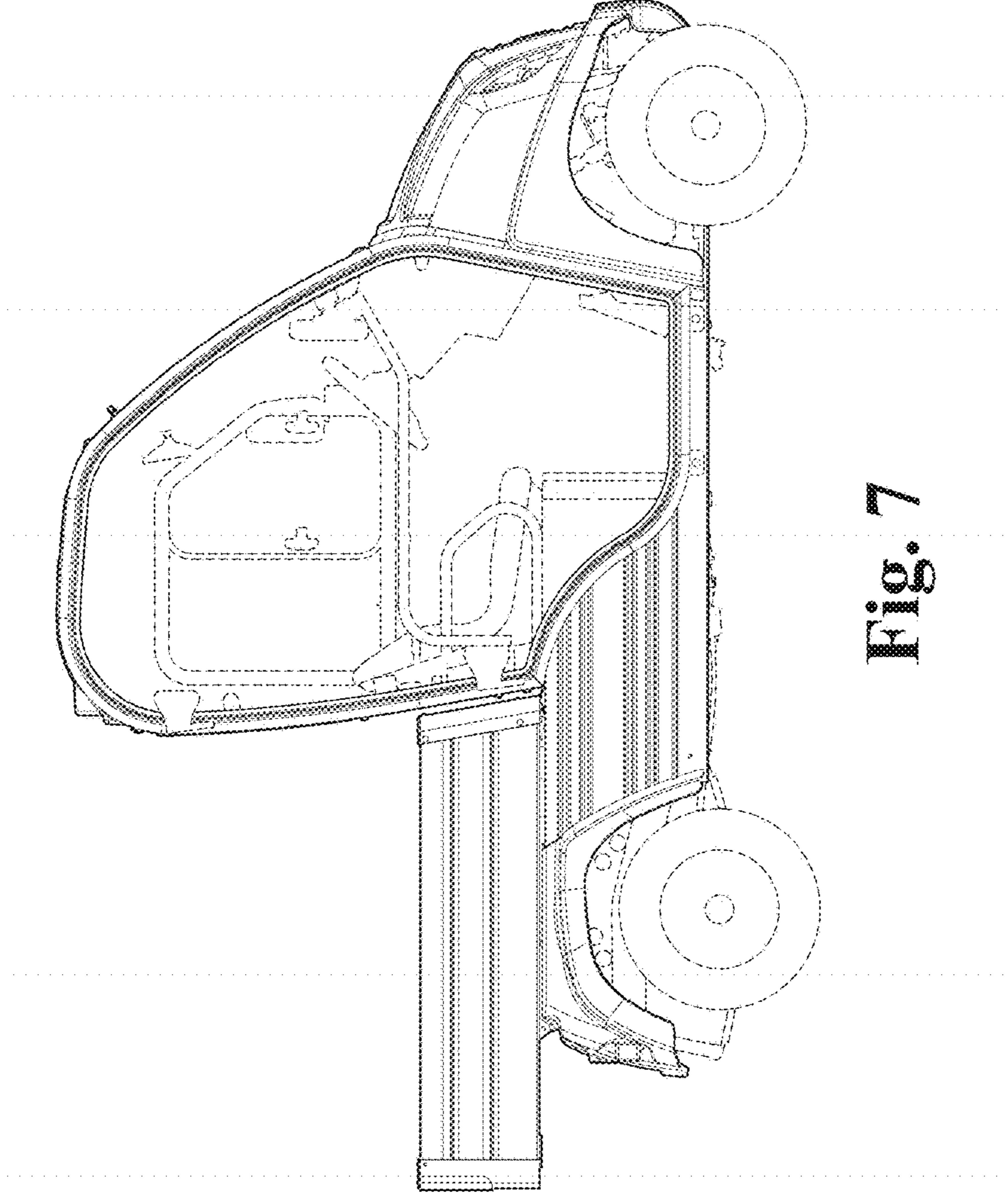


Fig. 7

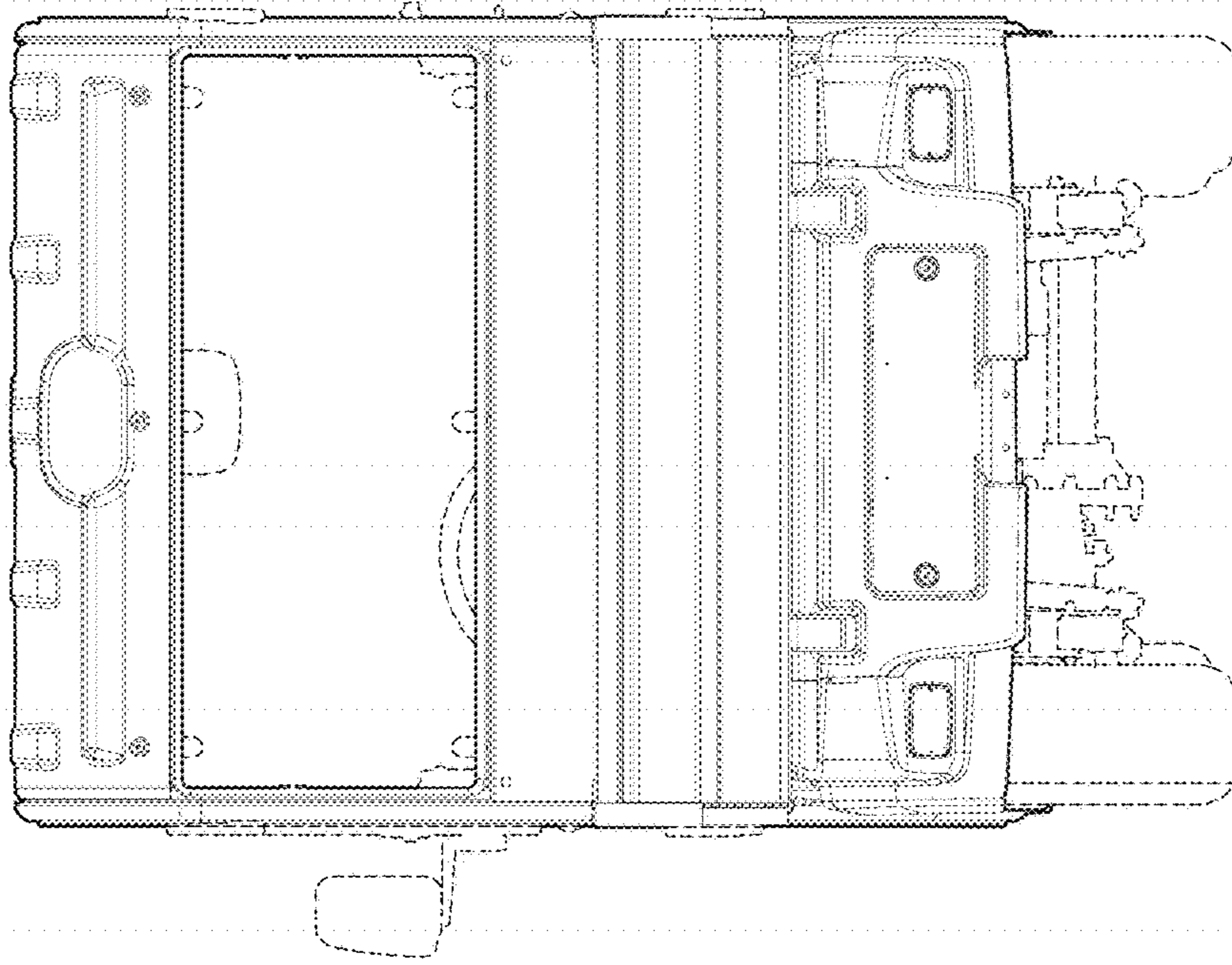


Fig. 9

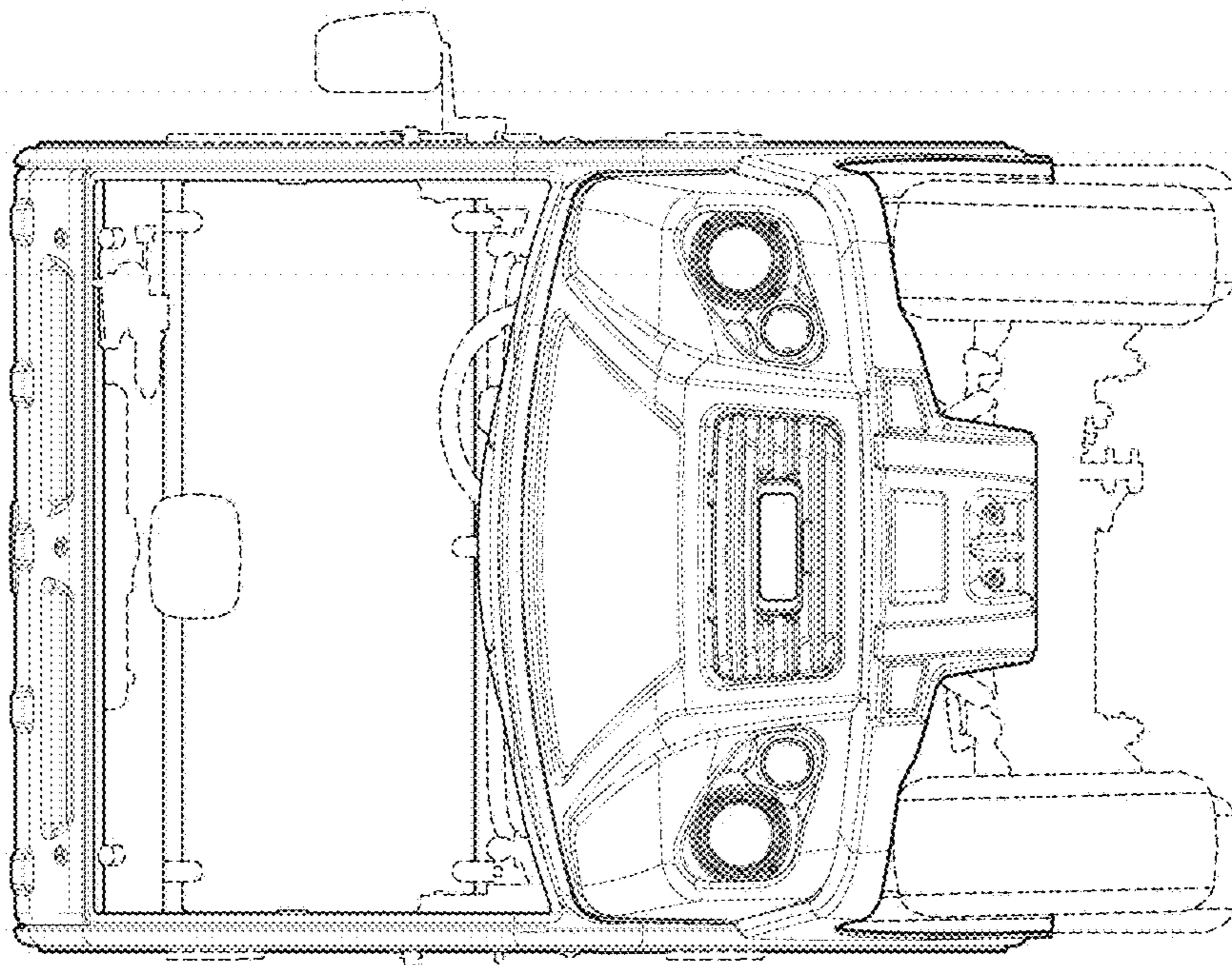


Fig. 8