

US00D800014S

(12) **United States Design Patent**  
**Beesley**

(10) **Patent No.:** **US D800,014 S**

(45) **Date of Patent:** **\*\* Oct. 17, 2017**

(54) **PLANTER**

(71) Applicant: **THE HC COMPANIES, INC.**,  
Twinsburg, OH (US)

(72) Inventor: **Margot Beesley**, Akron, OH (US)

(73) Assignee: **The HC Companies, Inc.**, Twinsburg,  
OH (US)

(\*\*) Term: **15 Years**

(21) Appl. No.: **29/570,604**

(22) Filed: **Jul. 10, 2016**

(51) **LOC (10) Cl.** ..... **11-02**

(52) **U.S. Cl.**  
USPC ..... **D11/152**

(58) **Field of Classification Search**  
USPC ..... D8/1; D11/143, 152, 149; D6/403, 556,  
D6/557  
CPC ..... A01G 9/02; A47G 7/047  
See application file for complete search history.

(56) **References Cited**

**U.S. PATENT DOCUMENTS**

D212,487 S \* 10/1968 Black ..... D11/152  
D504,086 S \* 4/2005 Harbaugh ..... D11/152

D510,713 S \* 10/2005 Harbaugh ..... D11/151  
D579,375 S \* 10/2008 White ..... D11/155  
D739,296 S \* 9/2015 Thuma ..... D11/154  
D751,457 S \* 3/2016 Pettigrew ..... D11/152  
2009/0212187 A1 \* 8/2009 Chen ..... A47G 7/047  
248/318

\* cited by examiner

*Primary Examiner* — Sheryl Lane

(74) *Attorney, Agent, or Firm* — Tucker Ellis LLP

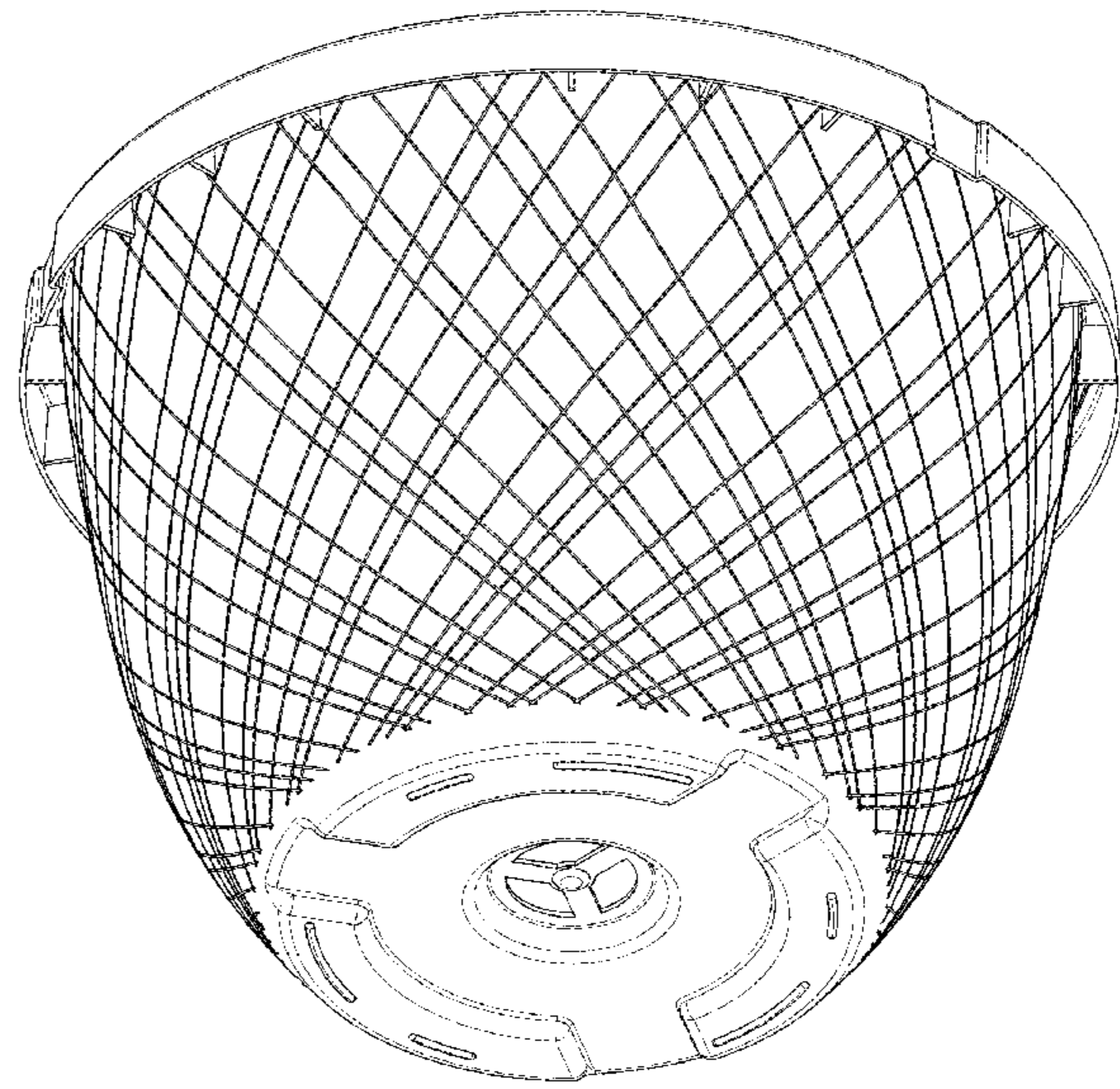
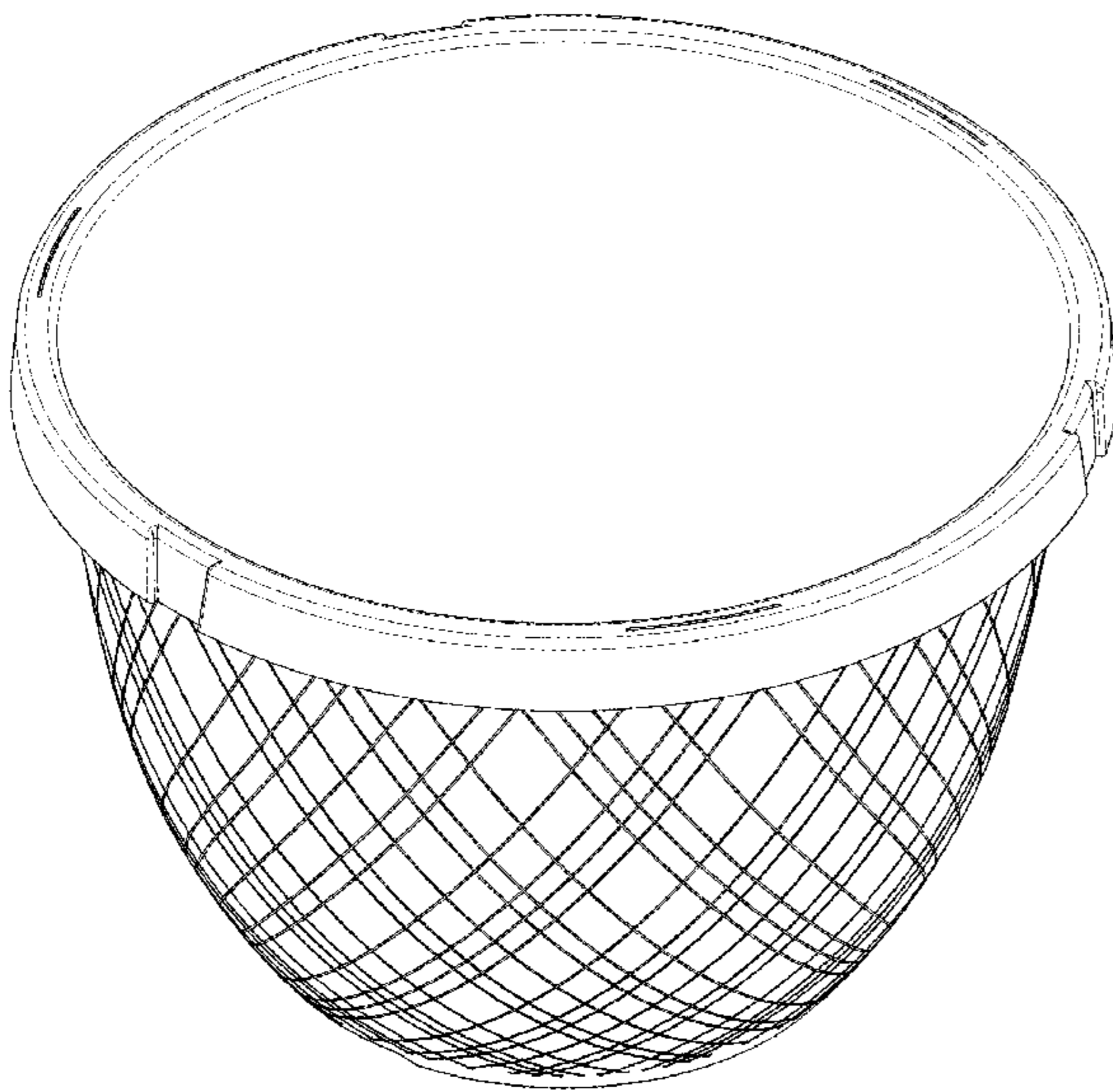
(57) **CLAIM**

The ornamental design for a planter, as shown and described.

**DESCRIPTION**

FIG. 1 is a perspective view of a planter showing my new design.  
FIG. 2 is another perspective view thereof.  
FIG. 3 is a front view thereof.  
FIG. 4 is a rear view thereof.  
FIG. 5 is a left side view thereof.  
FIG. 6 is a right side view thereof.  
FIG. 7 is a top view thereof; and,  
FIG. 8 is a bottom view thereof.

**1 Claim, 6 Drawing Sheets**



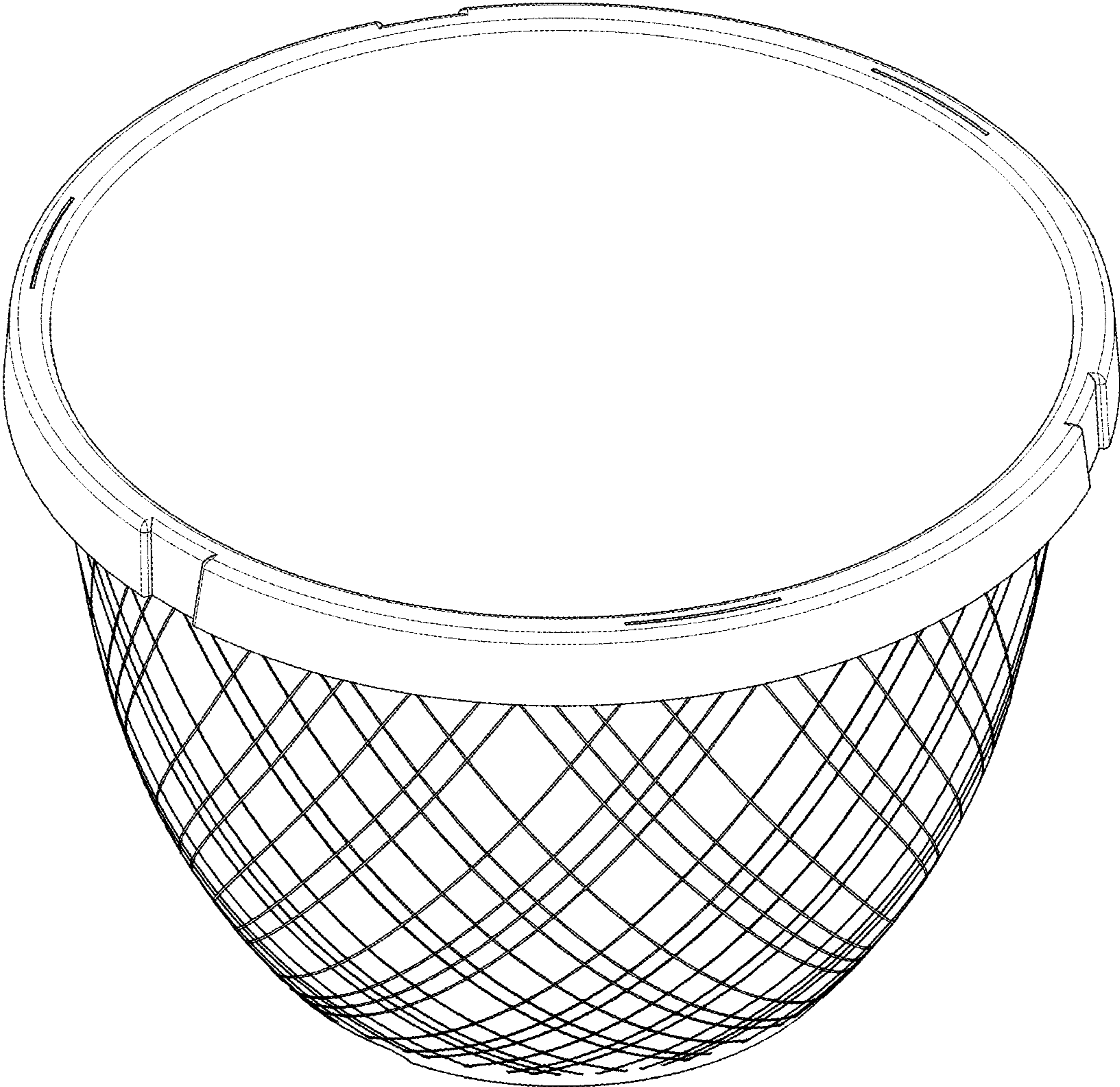


FIG. 1

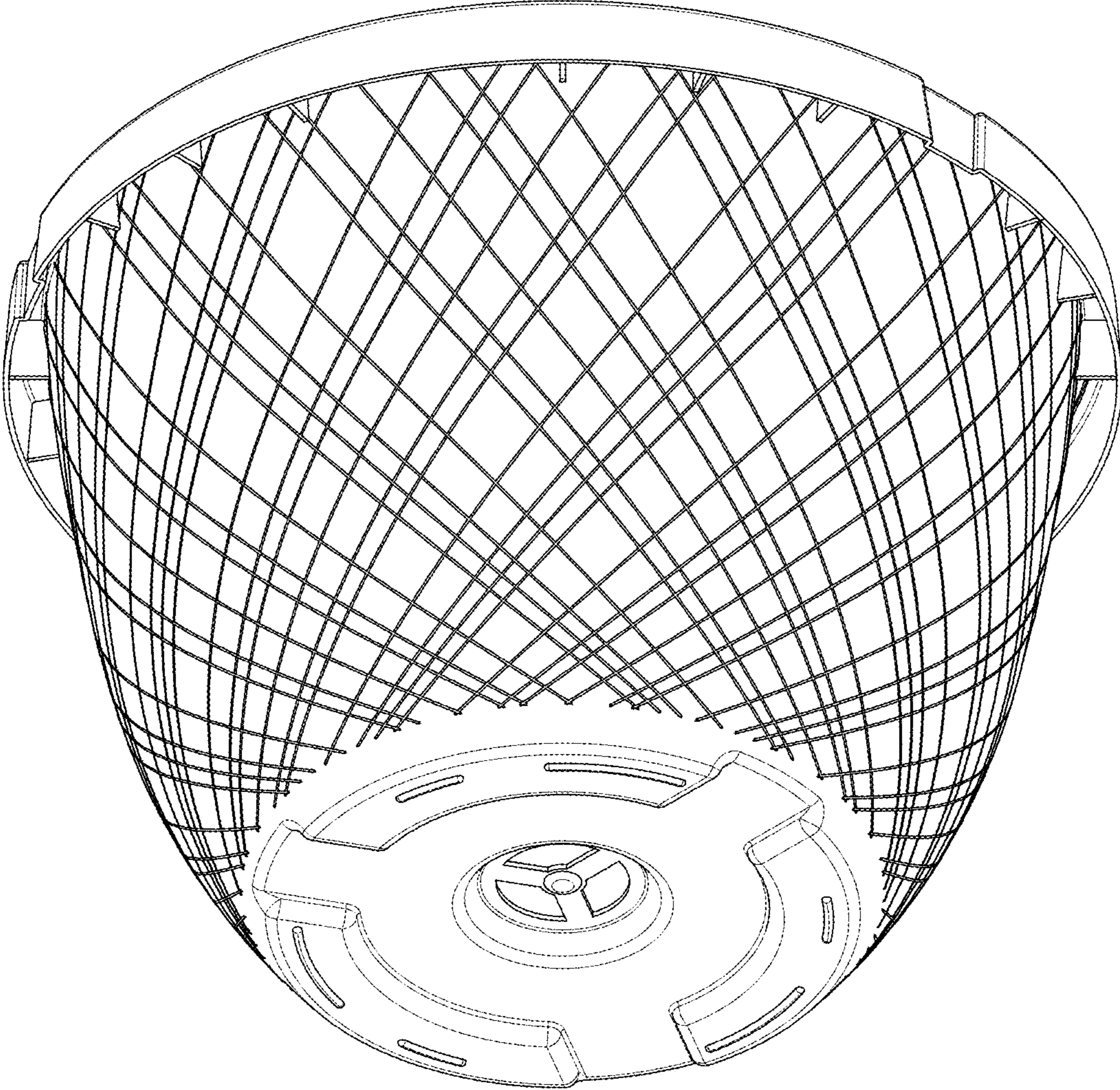


FIG. 2

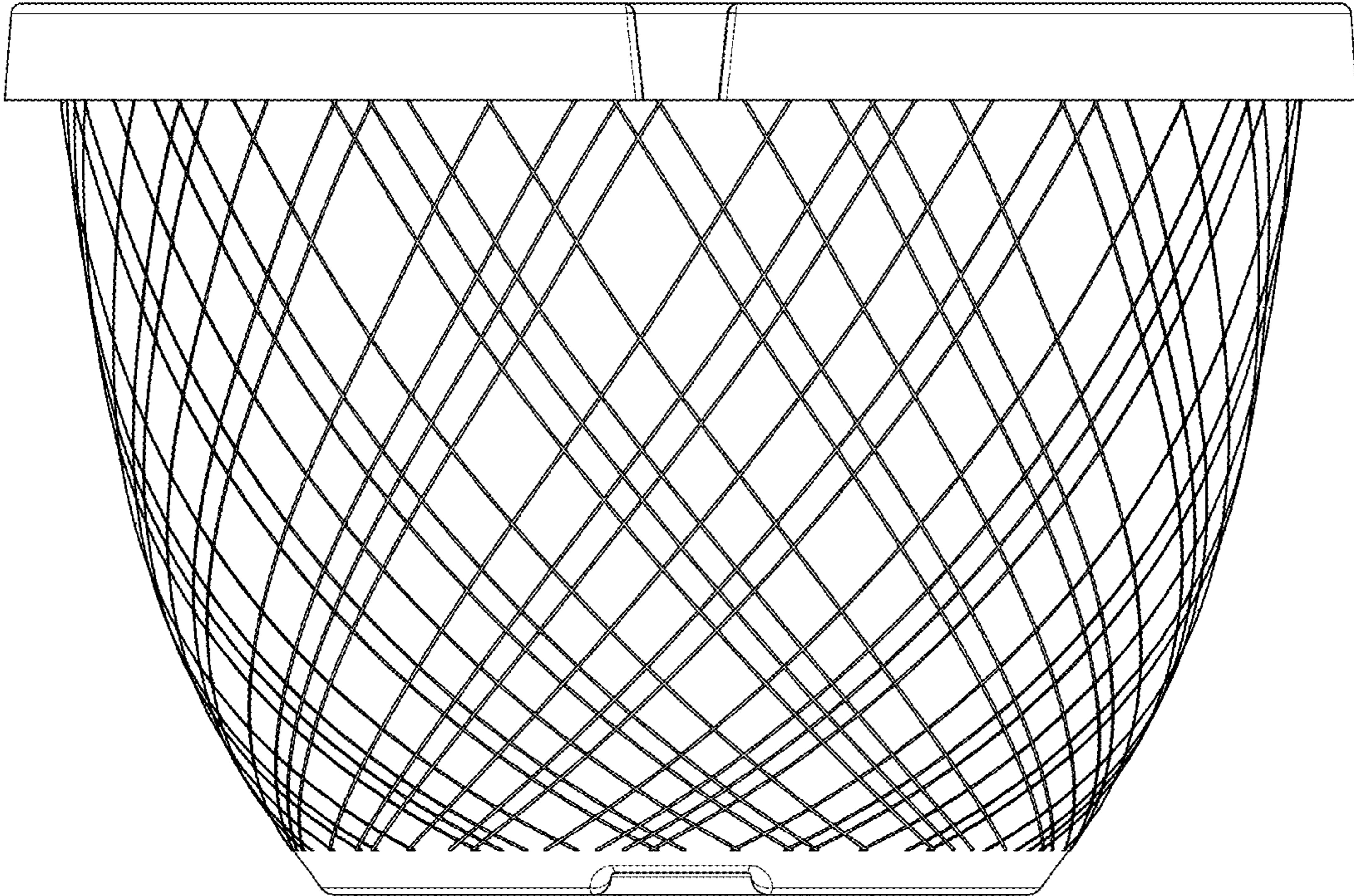


FIG. 3

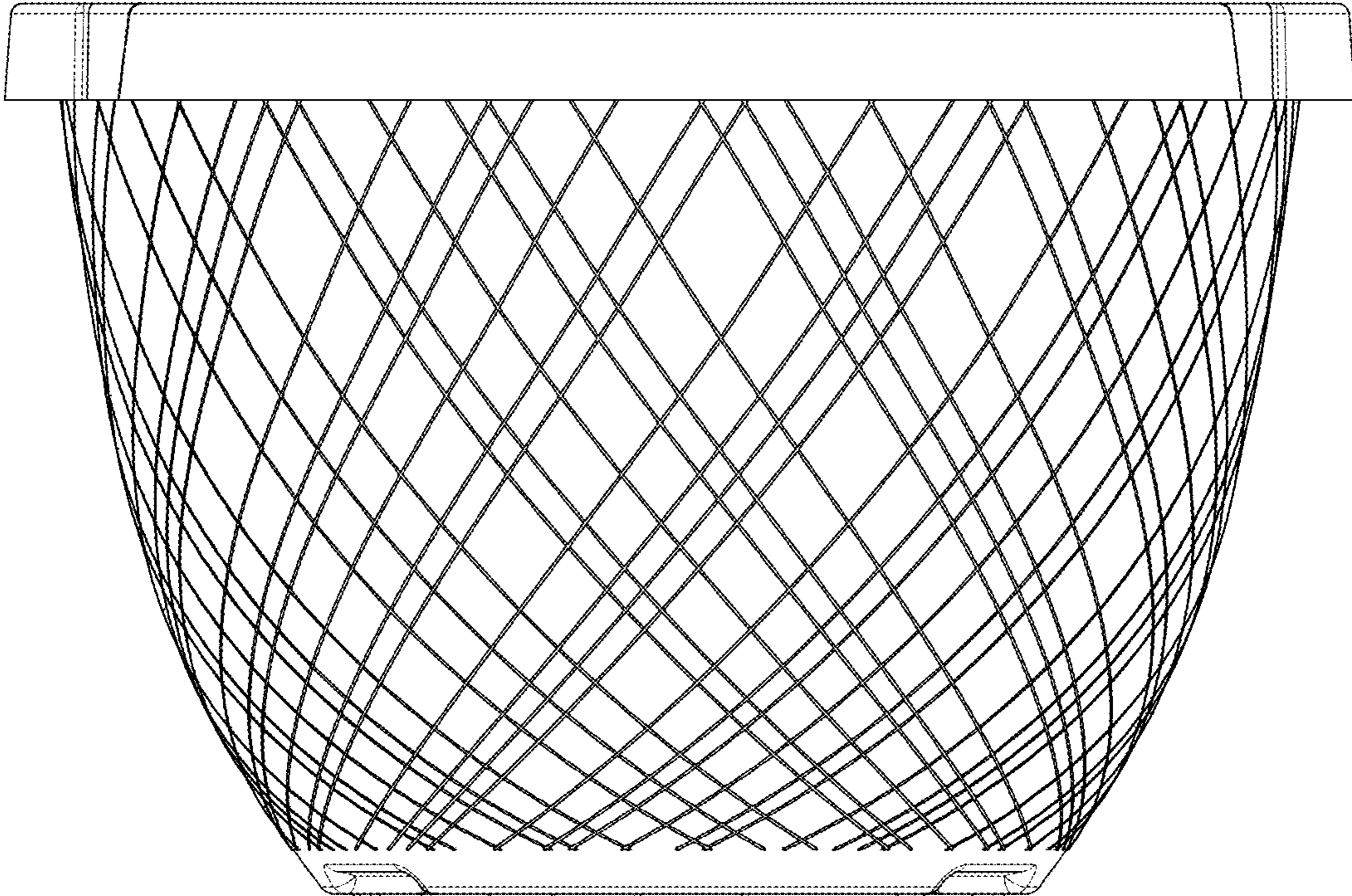


FIG. 4

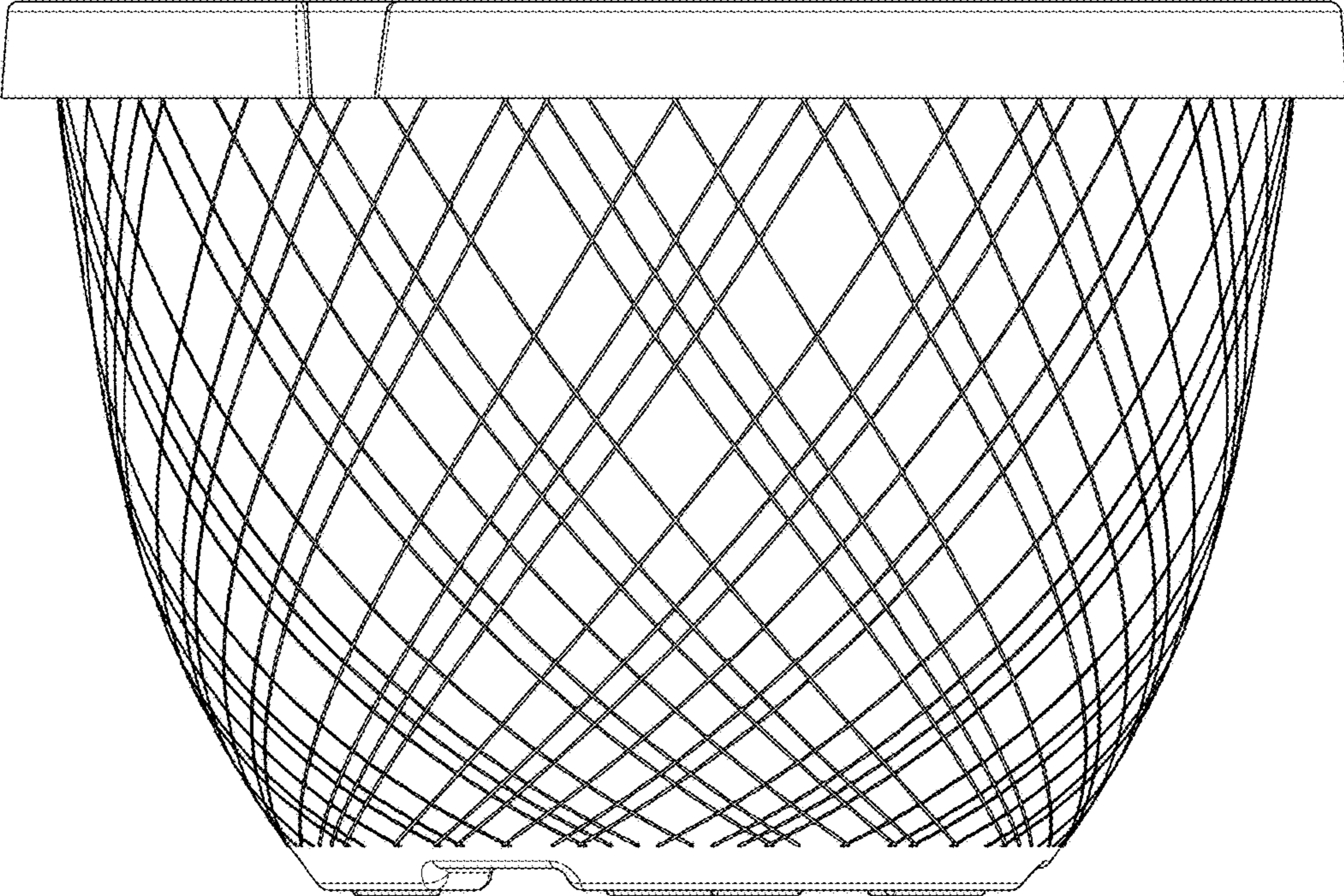


FIG. 5

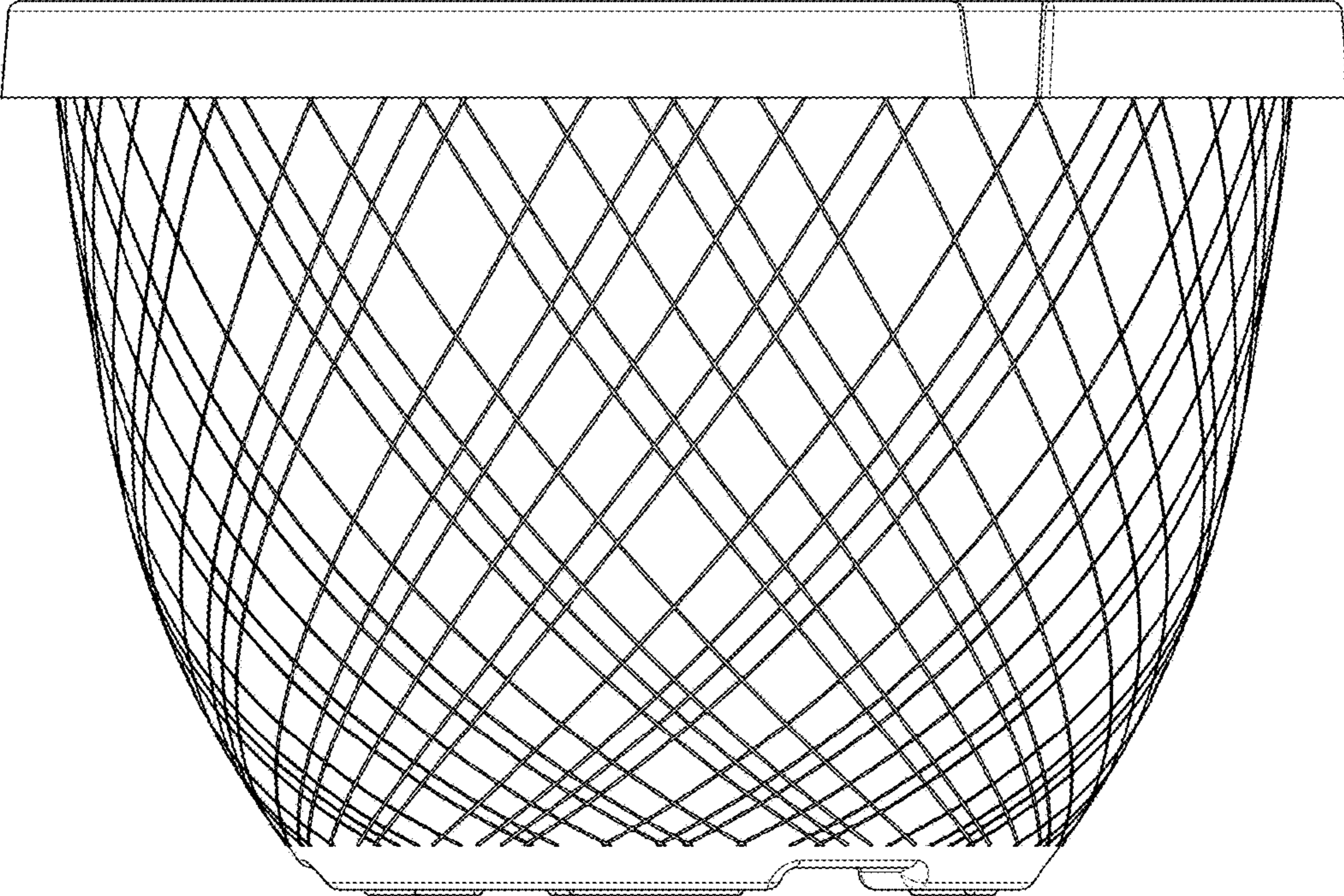


FIG. 6

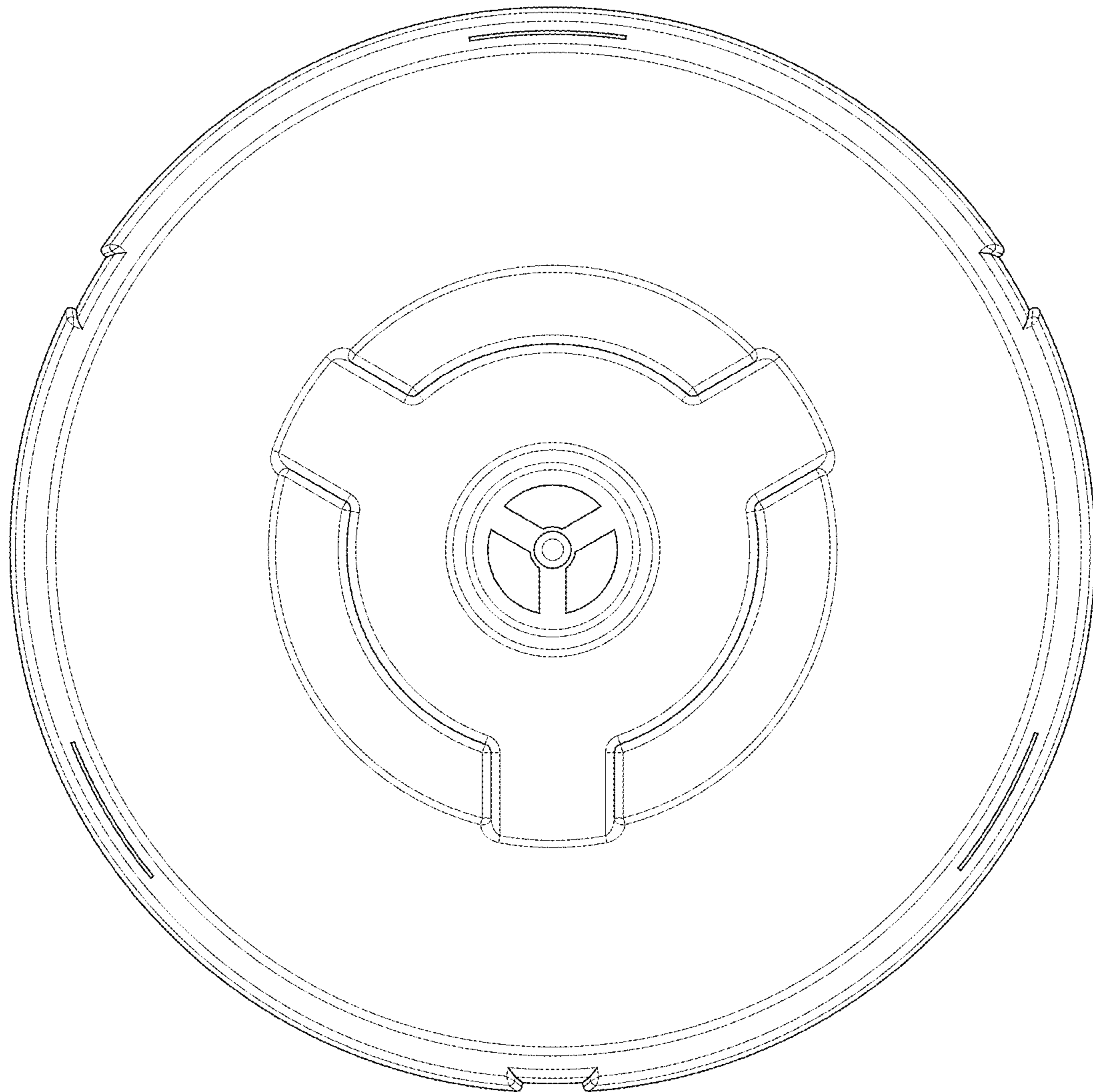


FIG. 7

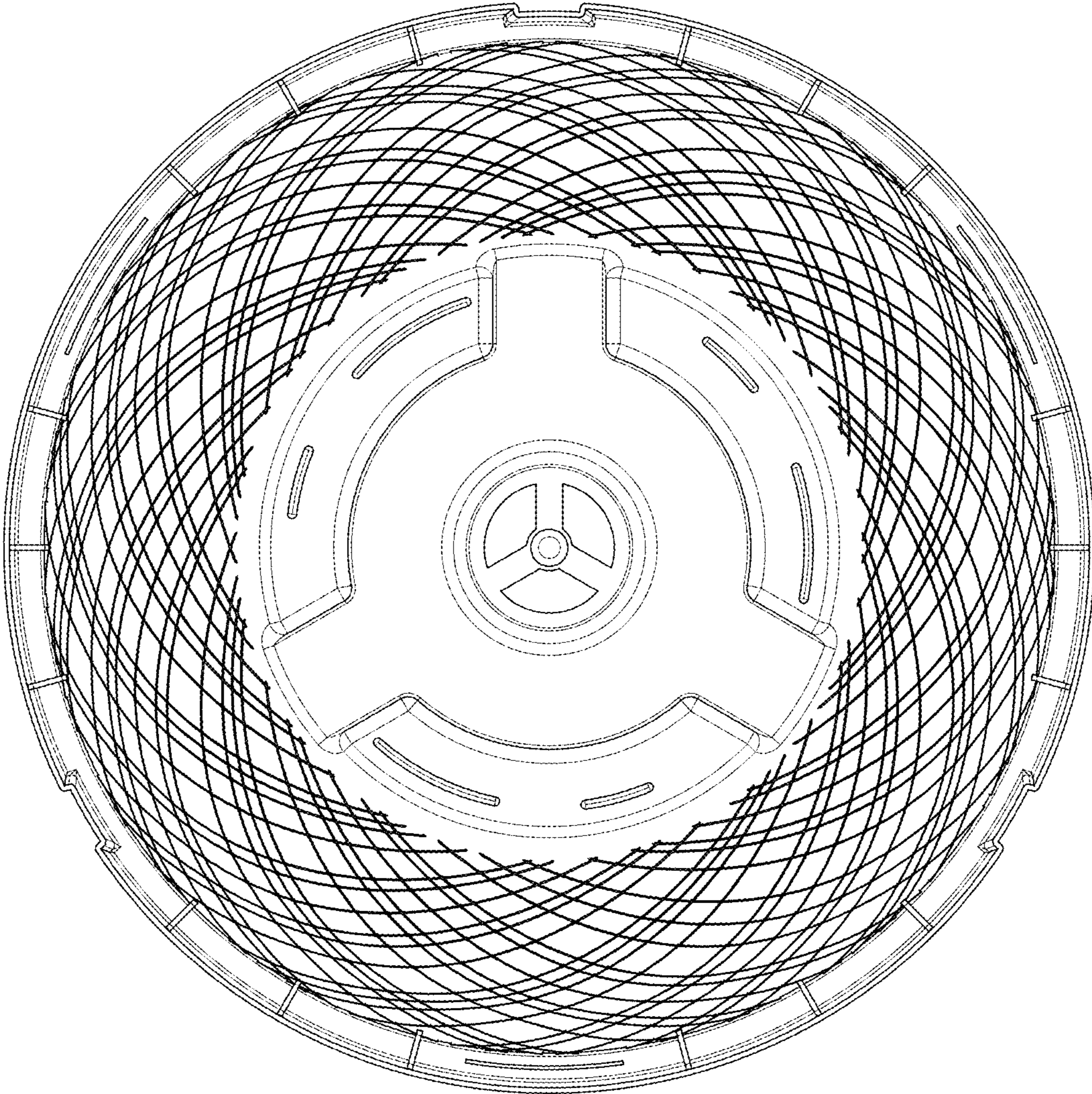


FIG. 8