



US00D800013S

(12) **United States Design Patent** (10) **Patent No.:** **US D800,013 S**  
**Cabeza** (45) **Date of Patent:** **\*\* Oct. 17, 2017**

(54) **PLANTER**  
 (71) Applicant: **Diana Marcela Cabeza**, Buenos Aires (ES)  
 (72) Inventor: **Diana Marcela Cabeza**, Buenos Aires (ES)

2007/0180766 A1\* 8/2007 Wilkes ..... A01G 9/023 47/83  
 2010/0229464 A1\* 9/2010 Wilkes ..... A01G 9/023 47/82  
 2012/0180388 A1\* 7/2012 Friedman ..... A01G 9/025 47/83

(\*\*) Term: **15 Years**

\* cited by examiner

(21) Appl. No.: **29/568,219**

*Primary Examiner* — Manpreet Matharu  
*Assistant Examiner* — Rebecca Tsehaye  
 (74) *Attorney, Agent, or Firm* — Norris McLaughlin & Marcus, P.A.

(22) Filed: **Jun. 16, 2016**

(30) **Foreign Application Priority Data**

(57) **CLAIM**

Dec. 17, 2015 (AR) ..... 89435

The ornamental design for a planter, as show and described.

(51) **LOC (10) Cl.** ..... **11-02**

(52) **U.S. Cl.**  
USPC ..... **D11/143**

**DESCRIPTION**

(58) **Field of Classification Search**  
 USPC ..... D11/131, 143–156; D6/329, 403; 47/83, 47/86, 65.5, 75, 41.01, 41.13  
 CPC ..... A01G 9/00; A01G 9/02; A01G 9/027  
 See application file for complete search history.

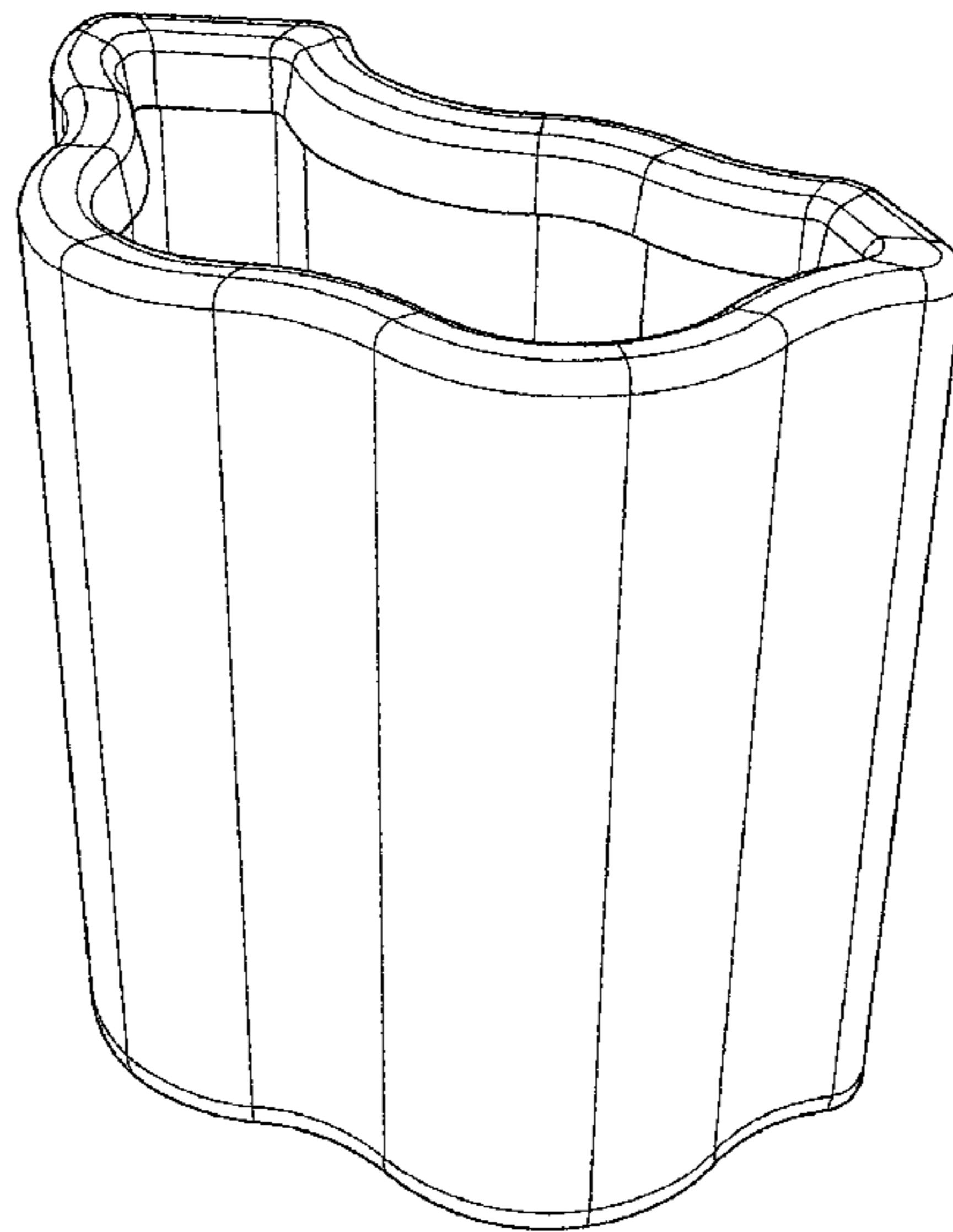
FIG. 1 is a front, perspective view of the design of the present invention;  
 FIG. 2 is a left side elevational view of the design of the present invention;  
 FIG. 3 is a rear elevational view of the design of the present invention;  
 FIG. 4 is a right side elevational view of the design of the present invention;  
 FIG. 5 is a front elevational view of the design of the present invention;  
 FIG. 6 is a top plan view of the design of the present invention, and,  
 FIGS. 7-13 each show a different front, perspective view of an embodiment comprising an arrangement with multiple planters according the design of the present invention.  
 The bottom lines in the drawings depict portions of the planter that form no part of the claimed design and/or represent unclaimed environment.

(56) **References Cited**

U.S. PATENT DOCUMENTS

4,779,378 A \* 10/1988 Mason, Jr. .... A01G 9/023 47/83  
 D416,214 S \* 11/1999 Conner ..... D11/143  
 6,161,333 A \* 12/2000 Poston ..... A01G 9/02 47/86  
 D489,286 S \* 5/2004 Rogers ..... D11/143  
 D504,350 S \* 4/2005 Bjorklund ..... D11/149  
 D525,166 S \* 7/2006 Cordeiro ..... D11/143  
 D654,318 S \* 2/2012 O'Neill ..... D11/149  
 8,341,884 B2 \* 1/2013 Rodrigues ..... A01G 9/023 47/82  
 D709,796 S \* 7/2014 Zak ..... D11/143  
 D761,155 S \* 7/2016 Agar ..... D11/143

**1 Claim, 9 Drawing Sheets**



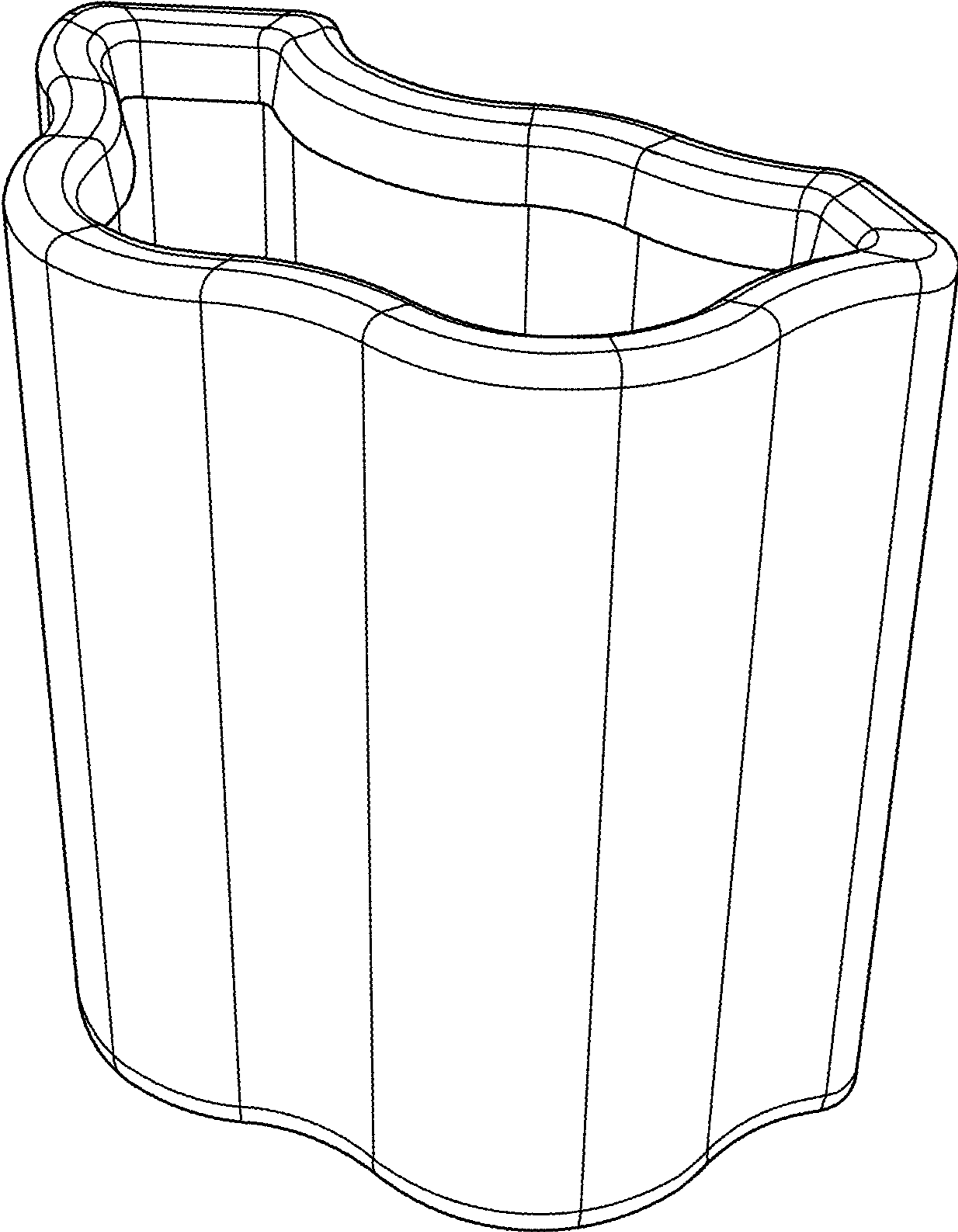


FIG. 1

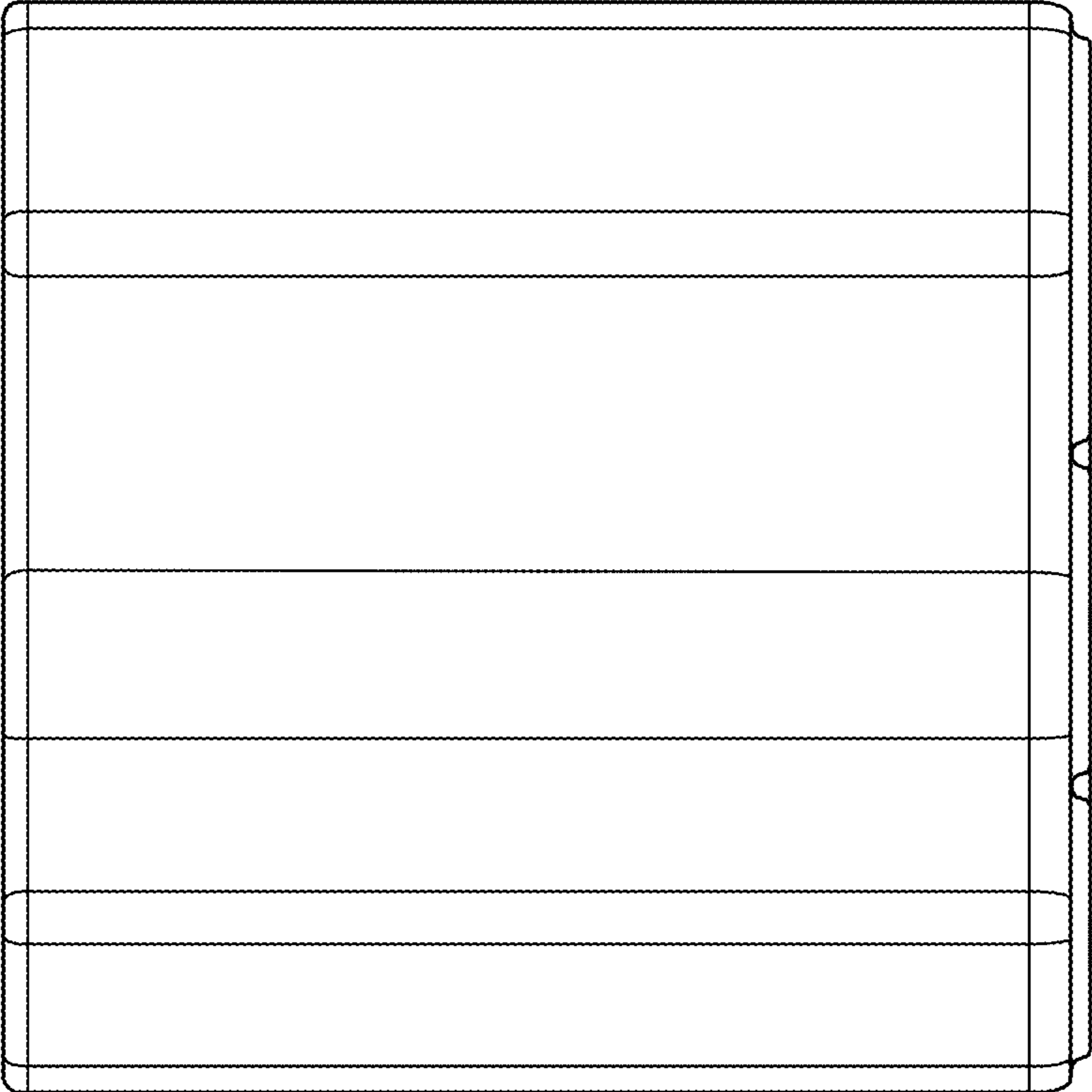


FIG. 3

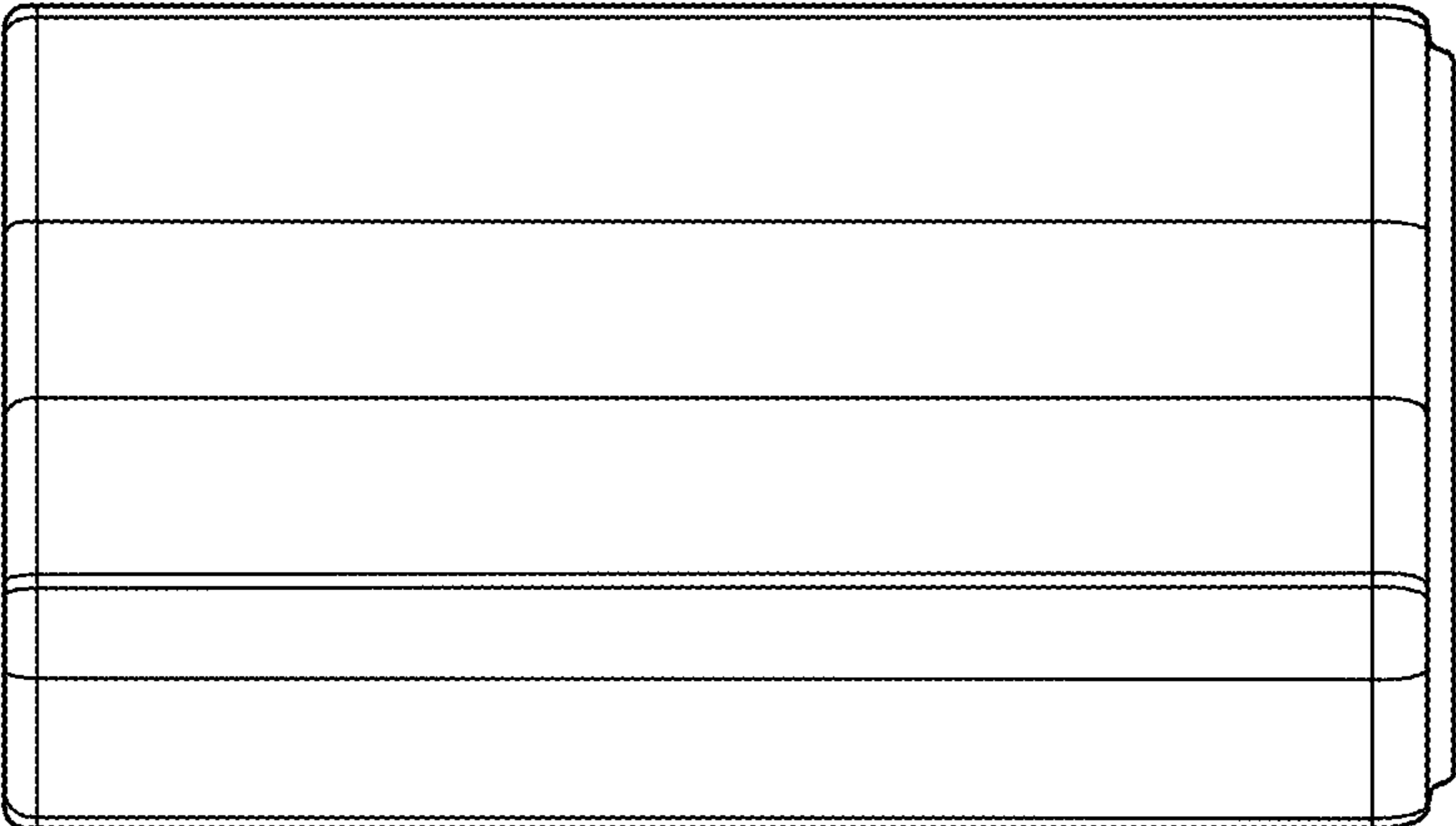


FIG. 2

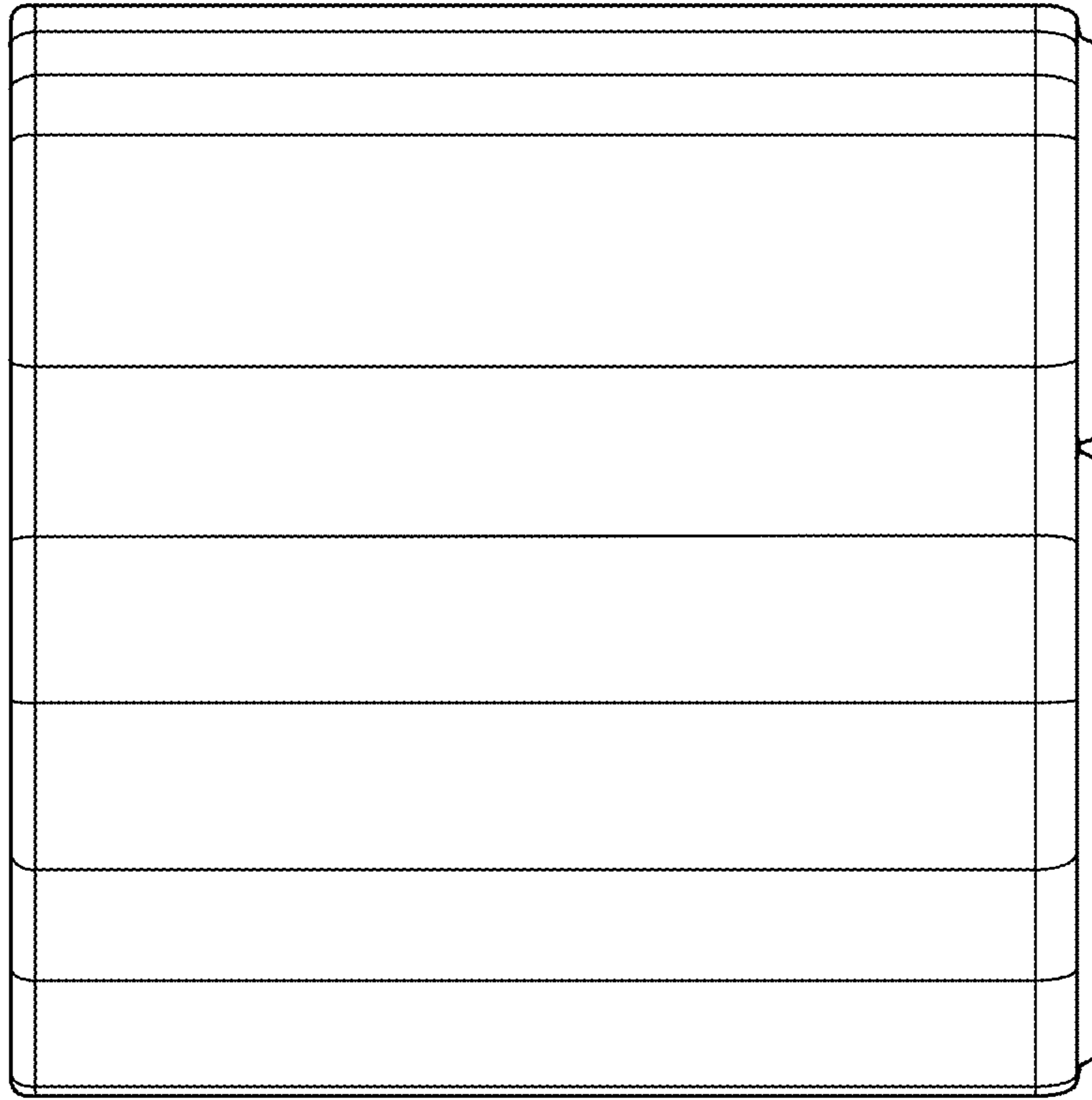


FIG. 5

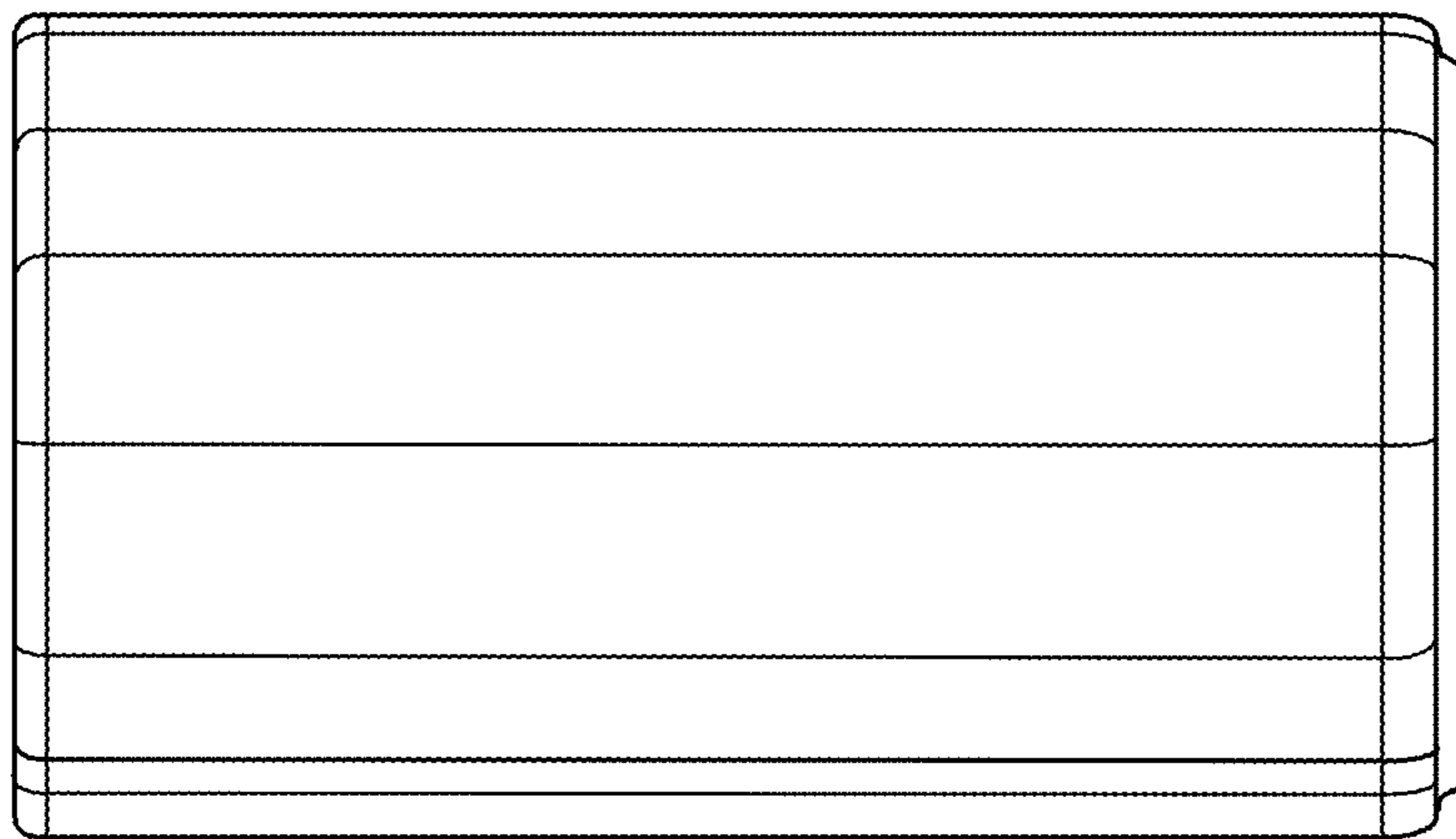


FIG. 4

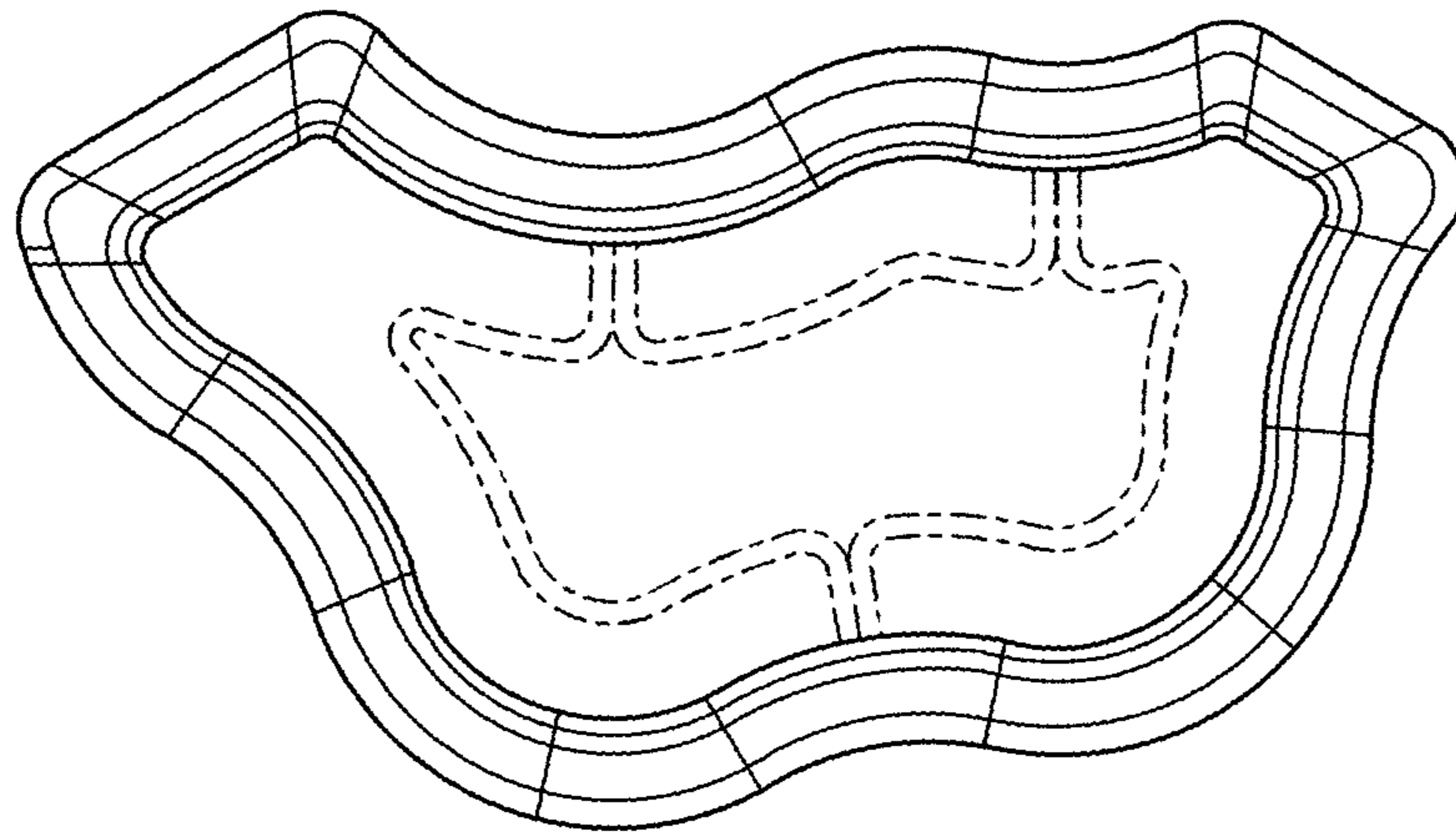


FIG. 6

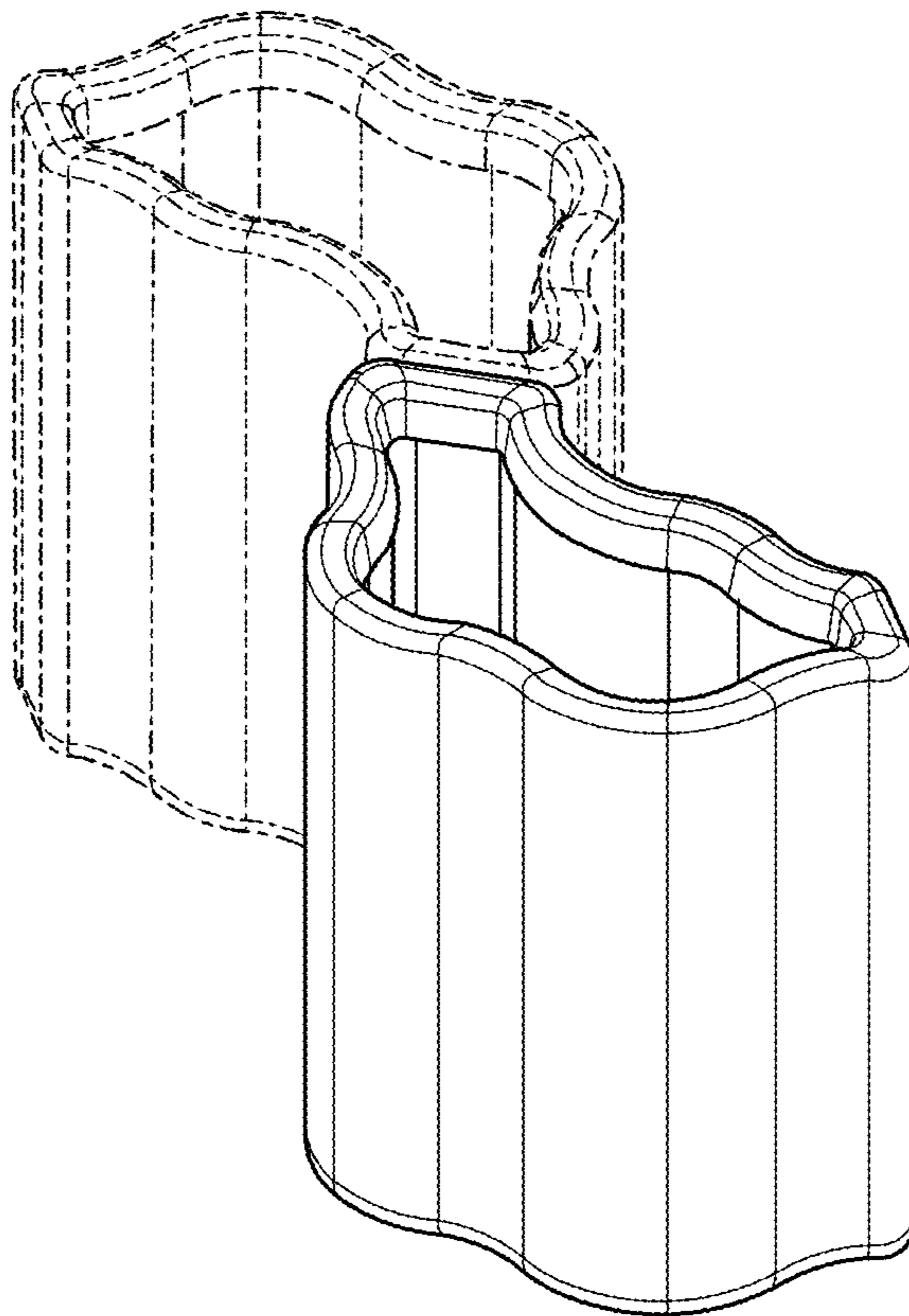


FIG. 7

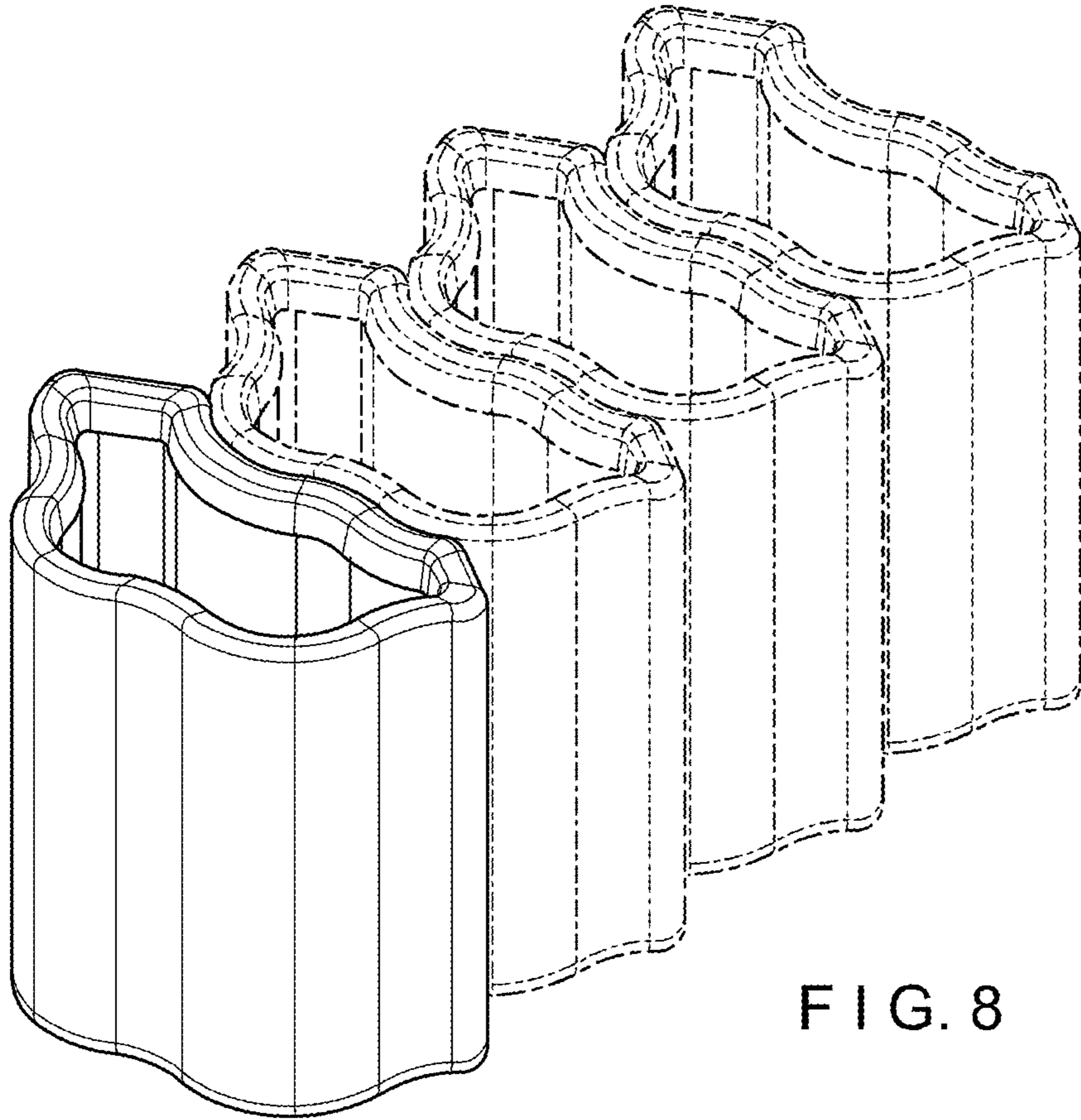


FIG. 8

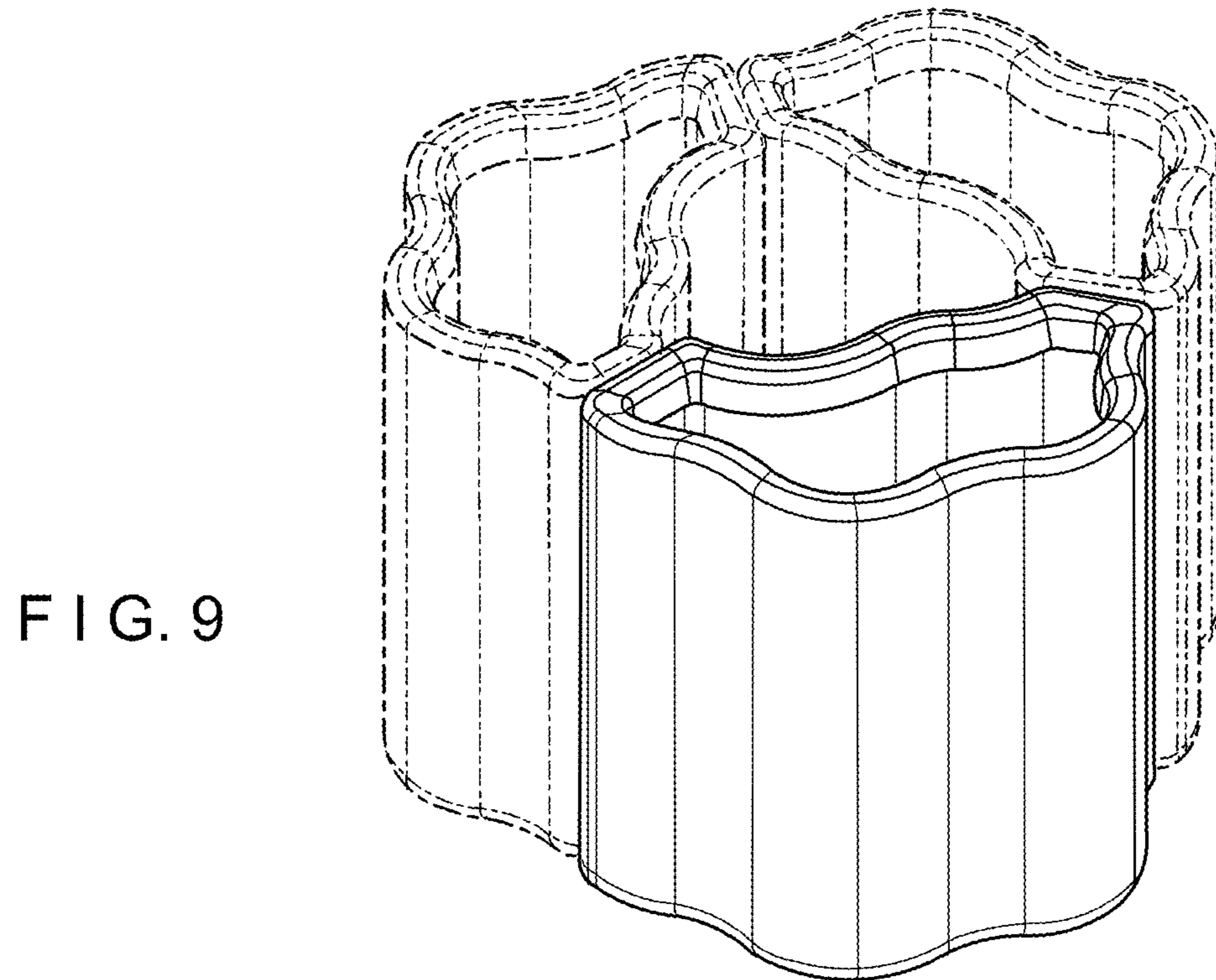


FIG. 9

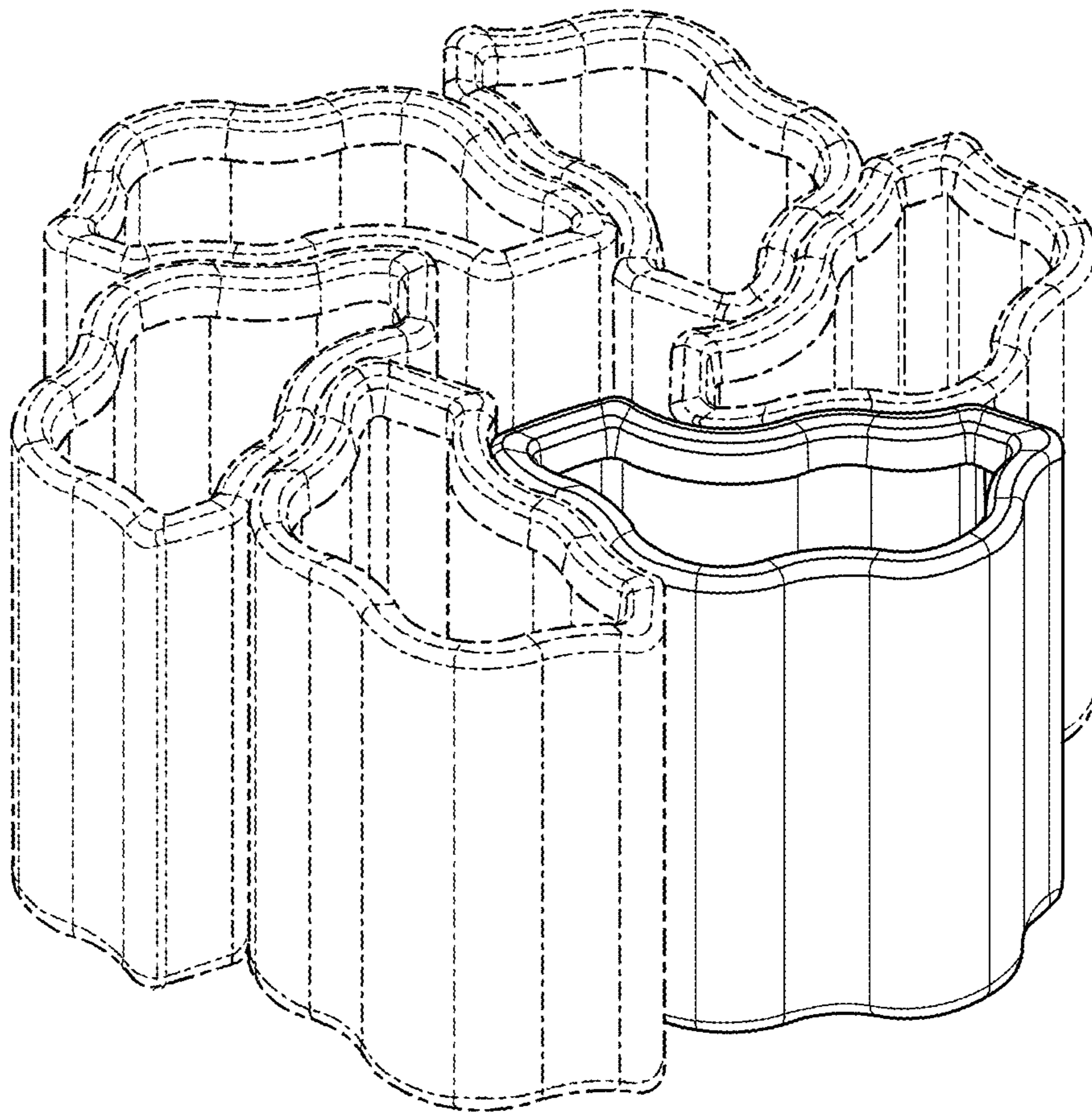


FIG. 10

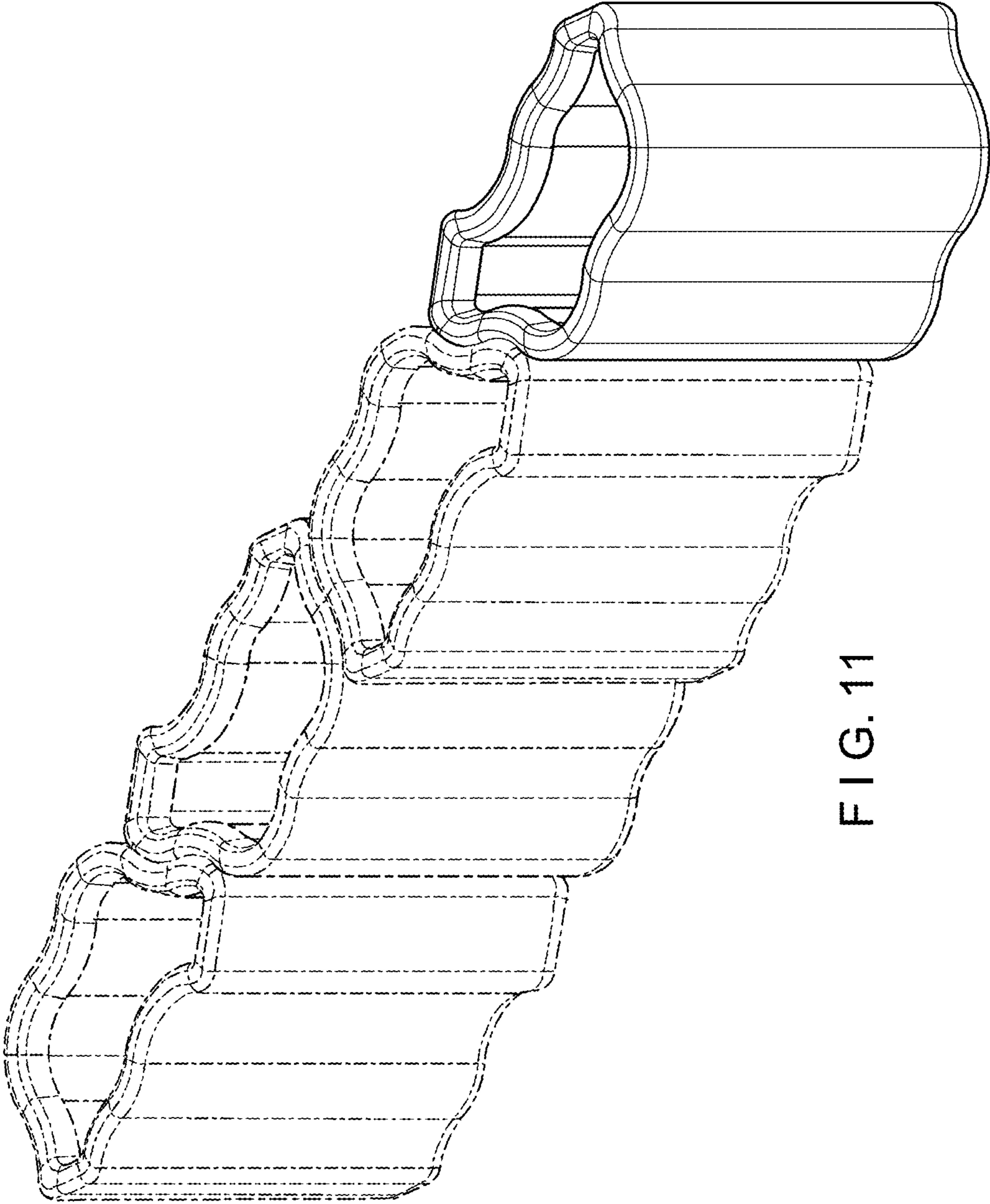


FIG. 11



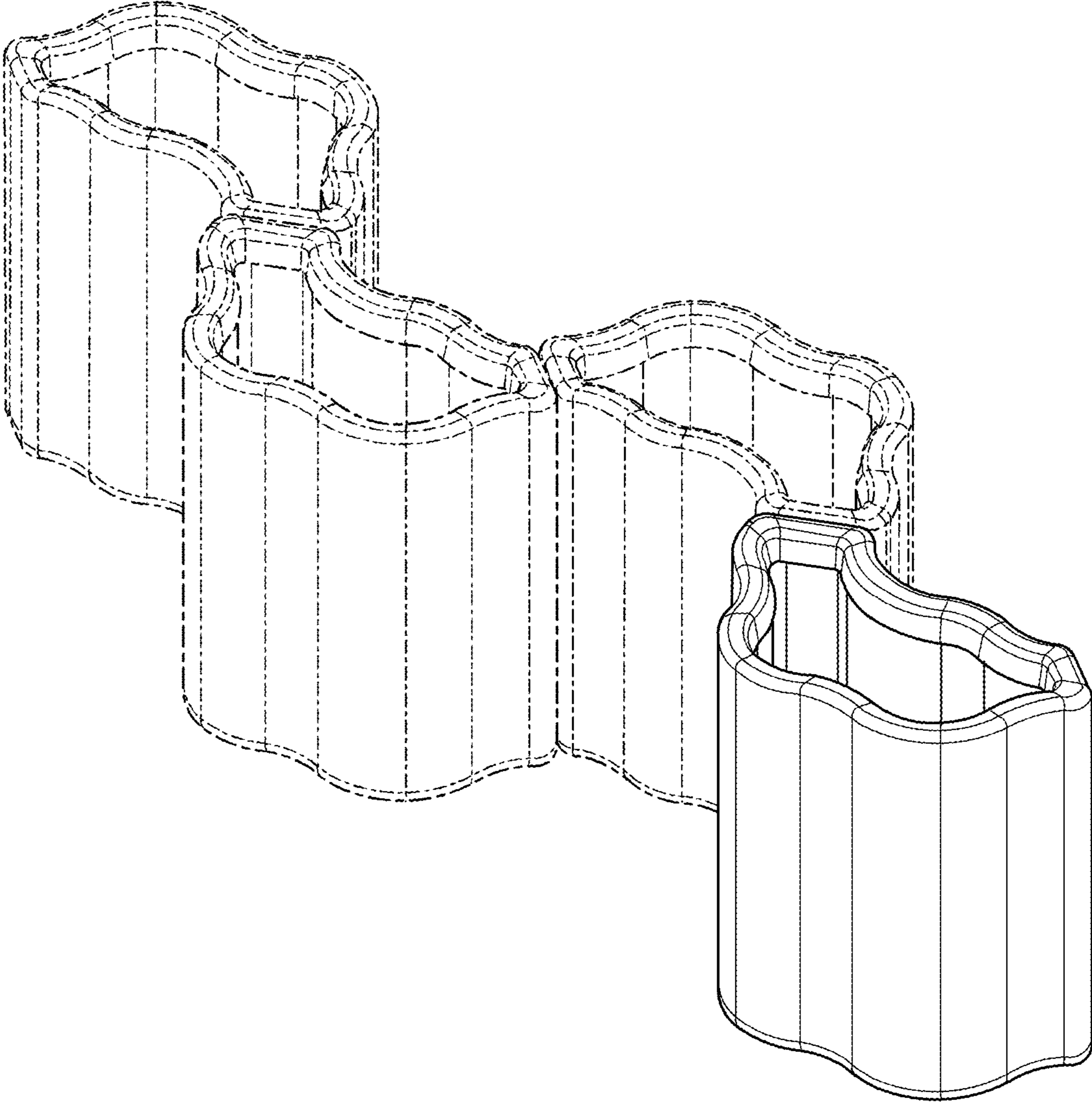


FIG. 12

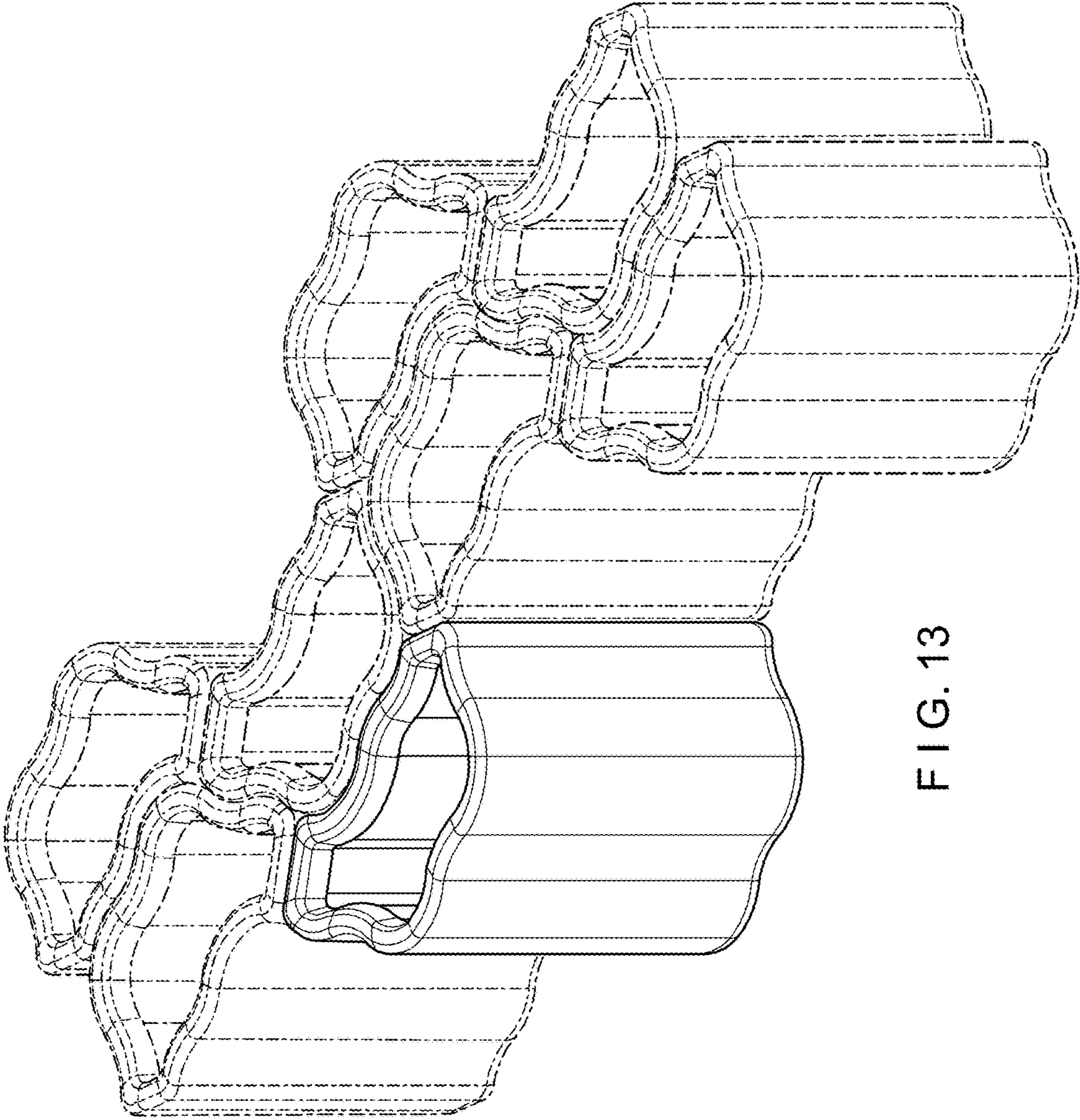


FIG. 13