



US00D800008S

(12) **United States Design Patent** (10) **Patent No.:** **US D800,008 S**
Vaughan et al. (45) **Date of Patent:** **** Oct. 17, 2017**

(54) **PENDANT WITH CHAIN**
(71) Applicant: **Athletes for Christ, LP**, Beaumont, TX (US)
(72) Inventors: **John Kennedy Vaughan**, Beaumont, TX (US); **Tammie Vaughan**, Beaumont, TX (US)
(73) Assignee: **ATHLETES FOR CHRIST, LP**, Beaumont, TX (US)

(**) Term: **15 Years**

(21) Appl. No.: **29/536,766**

(22) Filed: **Aug. 19, 2015**

(51) **LOC (10) Cl.** **11-01**

(52) **U.S. Cl.**
USPC **D11/7; D11/81**

(58) **Field of Classification Search**
USPC D11/1, 2, 7, 8, 40-48, 79-86, 90, 91, 92, D11/93, 54, 56, 95, 97, 98, 99; D21/680-685
CPC .. A44C 1/00; A44C 3/00; A44C 3/004; A44C 3/005; A44C 3/007; A44C 3/008; A44C 5/02; A44C 7/002; A44C 25/00; A44C 25/001; A44C 25/002; A44C 25/004; A44C 25/005; A44C 25/007
See application file for complete search history.

(56) **References Cited**

U.S. PATENT DOCUMENTS

D11,463 S * 10/1879 Elias D11/81
D99,838 S * 5/1936 Wiggins 194/214
D160,301 S * 10/1950 Chernow D11/81
4,810,539 A * 3/1989 Todd A44C 21/00
40/27.5
D433,721 S * 11/2000 Rojas D21/680
D439,290 S * 3/2001 Rojas D21/680
D455,097 S * 4/2002 Salvarani D11/79

D459,266 S * 6/2002 Rizzetto D11/79
6,820,838 B2 * 11/2004 Martin B65H 49/205
242/588.1
D505,636 S * 5/2005 Bisceglie D11/79
D550,582 S * 9/2007 Gruosi-Scheufele D11/43
D556,621 S * 12/2007 Allin D11/17
D576,511 S * 9/2008 Cunningham D11/8

(Continued)

OTHER PUBLICATIONS

[Online] https://cdn1.bigcommerce.com/n-63unu/d05toasu/products/871/images/1723/Weight_Plate_SS_Ant_Finish_lof2_44461.1453220799.1280.1280.jpg?c=2. Retrieved Aug. 14, 2017.*

(Continued)

Primary Examiner — Melanie Pellegrini
(74) *Attorney, Agent, or Firm* — Egbert Law Offices, PLLC

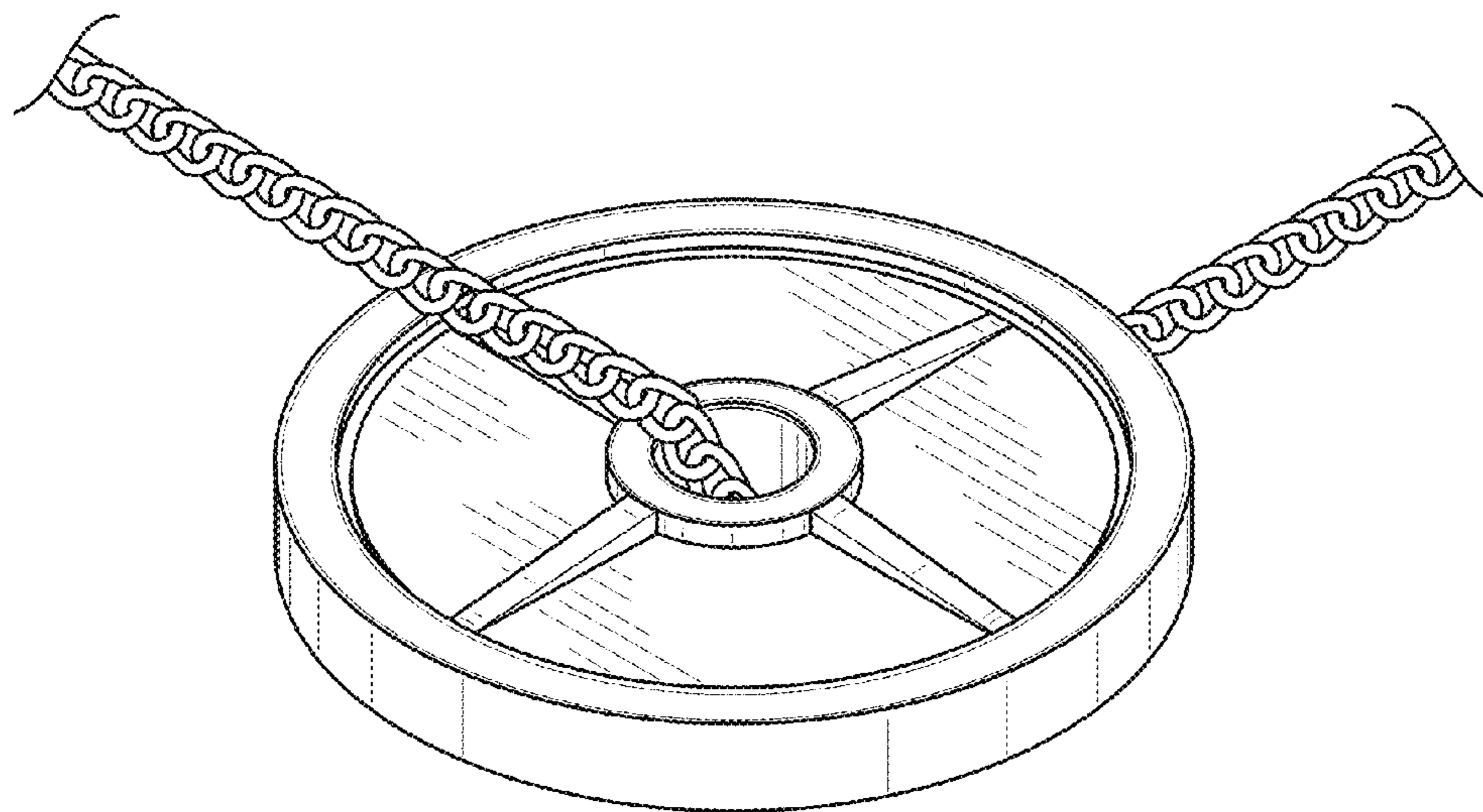
(57) **CLAIM**

The ornamental design for a pendant with chain, as shown and described.

DESCRIPTION

FIG. 1 is a perspective view of a pendant with chain showing our new design;
FIG. 2 is a top view thereof;
FIG. 3 is a bottom view thereof;
FIG. 4 is a front view thereof;
FIG. 5 is a rear view thereof;
FIG. 6 is a side view thereof; and,
FIG. 7 is an opposite side view thereof.
Details shown in broken lines represent unclaimed portions of the claimed design and form no part of the claimed design. The chain of the pendant with chain is a continuous loop, and is shown with symbolic break lines in its length. The appearance of any portion of the article between the break lines forms no part of the claimed design.

1 Claim, 4 Drawing Sheets



(56)

References Cited

U.S. PATENT DOCUMENTS

7,588,519 B2 * 9/2009 McClusky A63B 21/06
482/106
D606,133 S * 12/2009 Lien D21/681
D626,878 S * 11/2010 Hardy D11/79
7,828,702 B2 * 11/2010 Lien A63B 21/0724
482/106
D636,698 S * 4/2011 Reiter D11/79
8,061,068 B1 * 11/2011 Donovan A41C 3/04
40/586
D736,665 S * 8/2015 Nemzer D11/79
D751,943 S * 3/2016 Vaughan D11/81
D753,014 S * 4/2016 Vaughan D11/56
D759,536 S * 6/2016 Hardy D11/79
D779,360 S * 2/2017 Vaughan D11/7

OTHER PUBLICATIONS

[Online] https://cdn.shopify.com/s/files/1/0065/4272/products/Weight_Plate_Necklace_Strength_grande.jpg?v=1473964293.
Retrieved Aug. 14, 2017.*

* cited by examiner

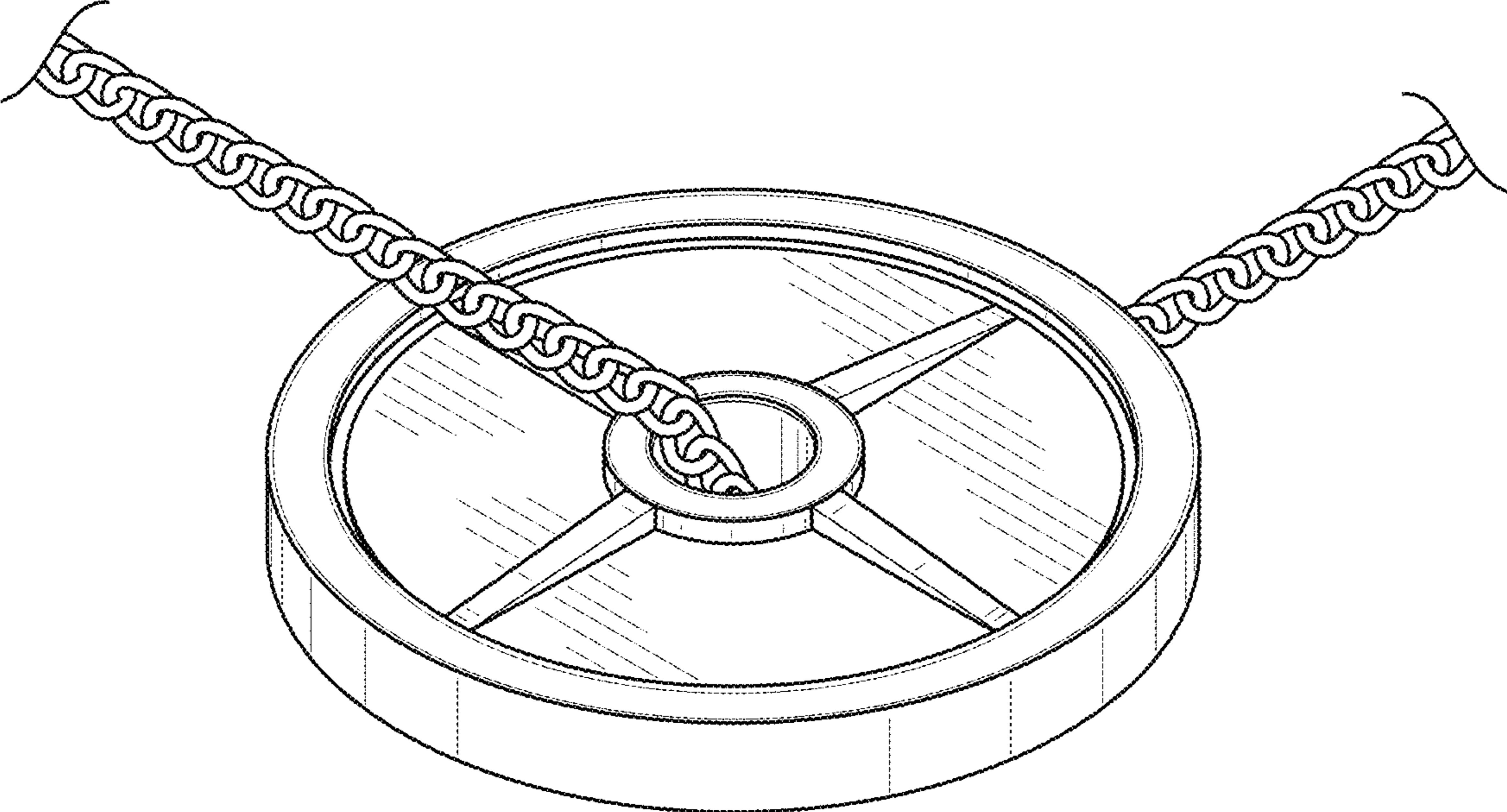


FIG. 1

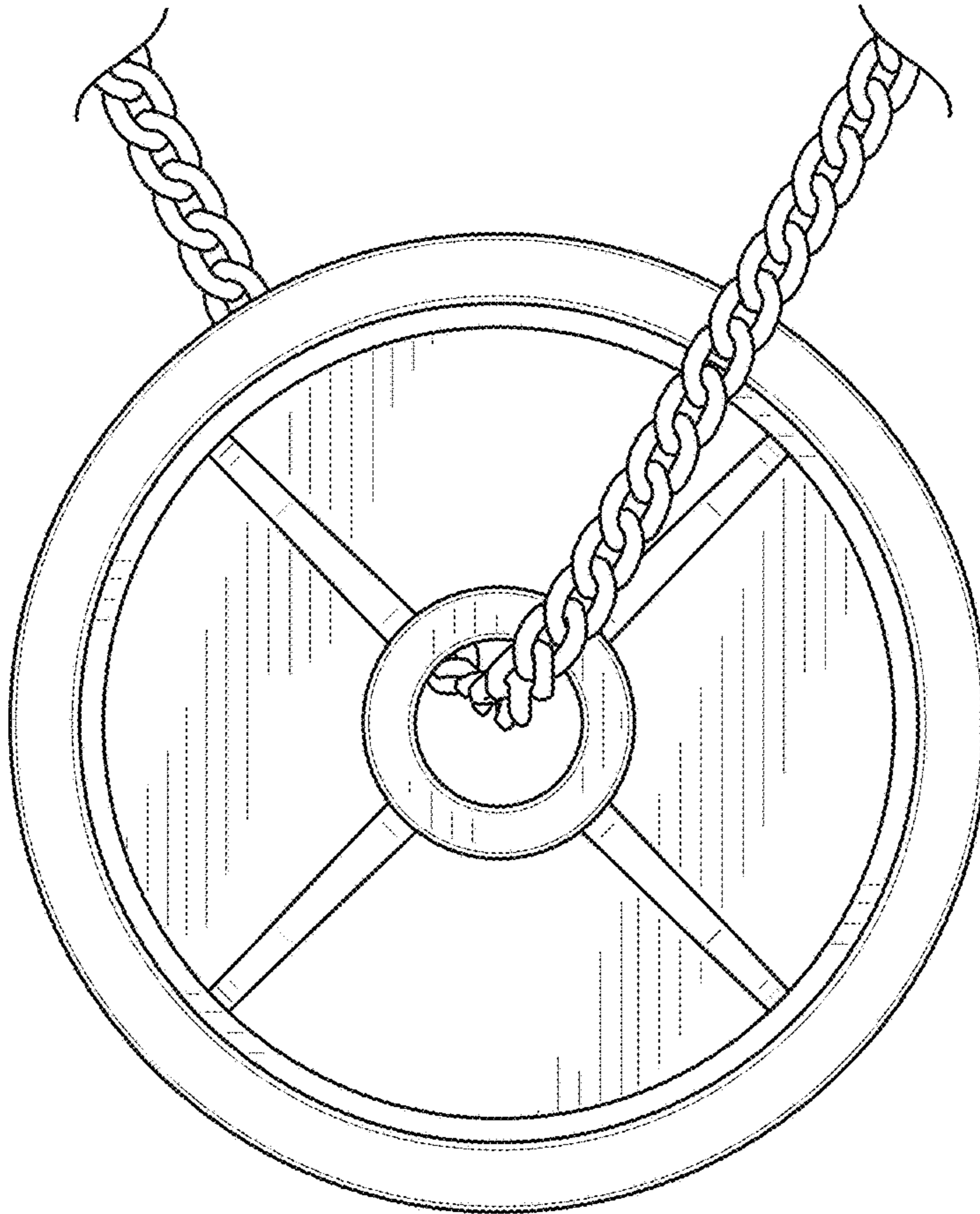
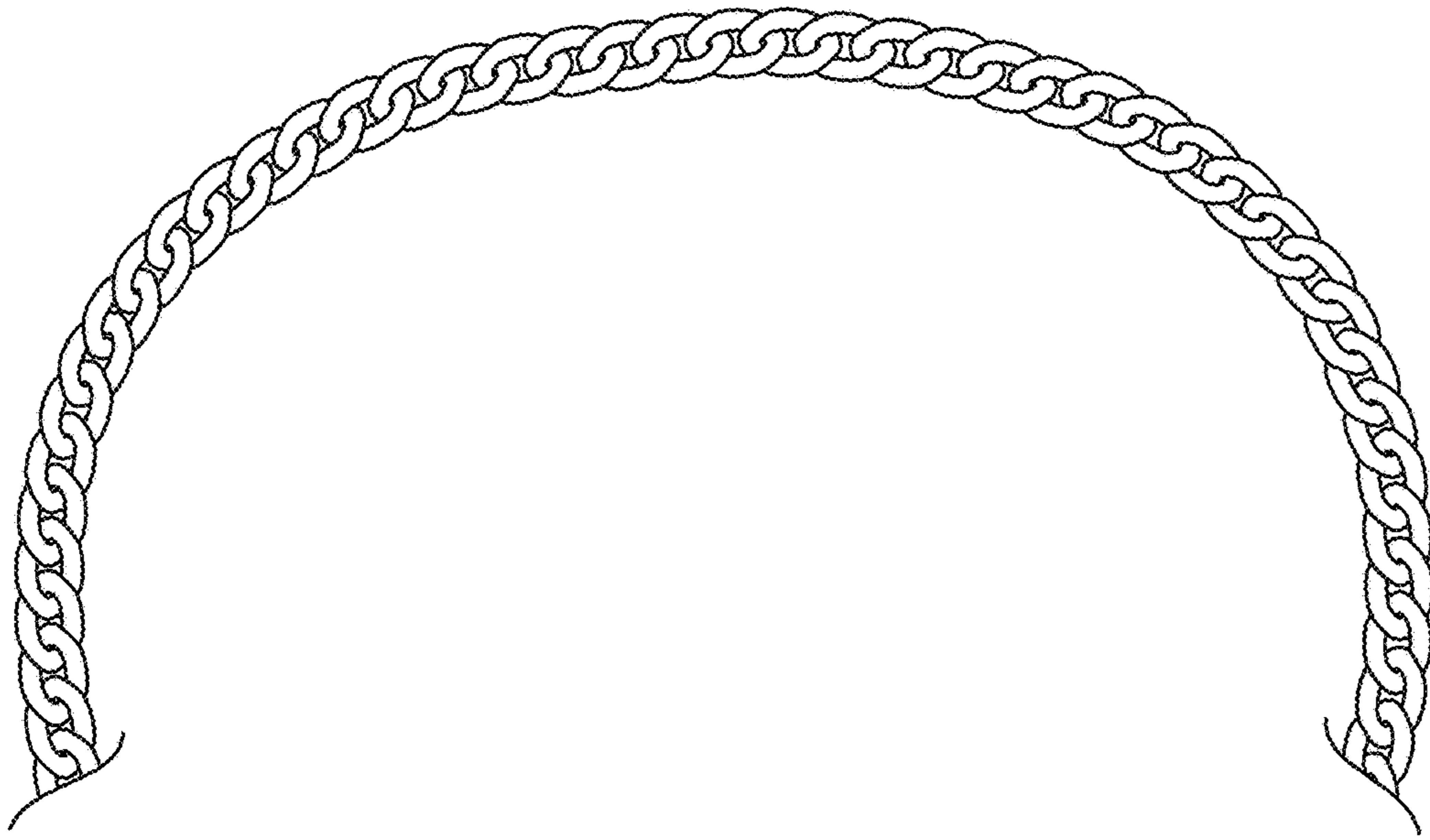


FIG. 2

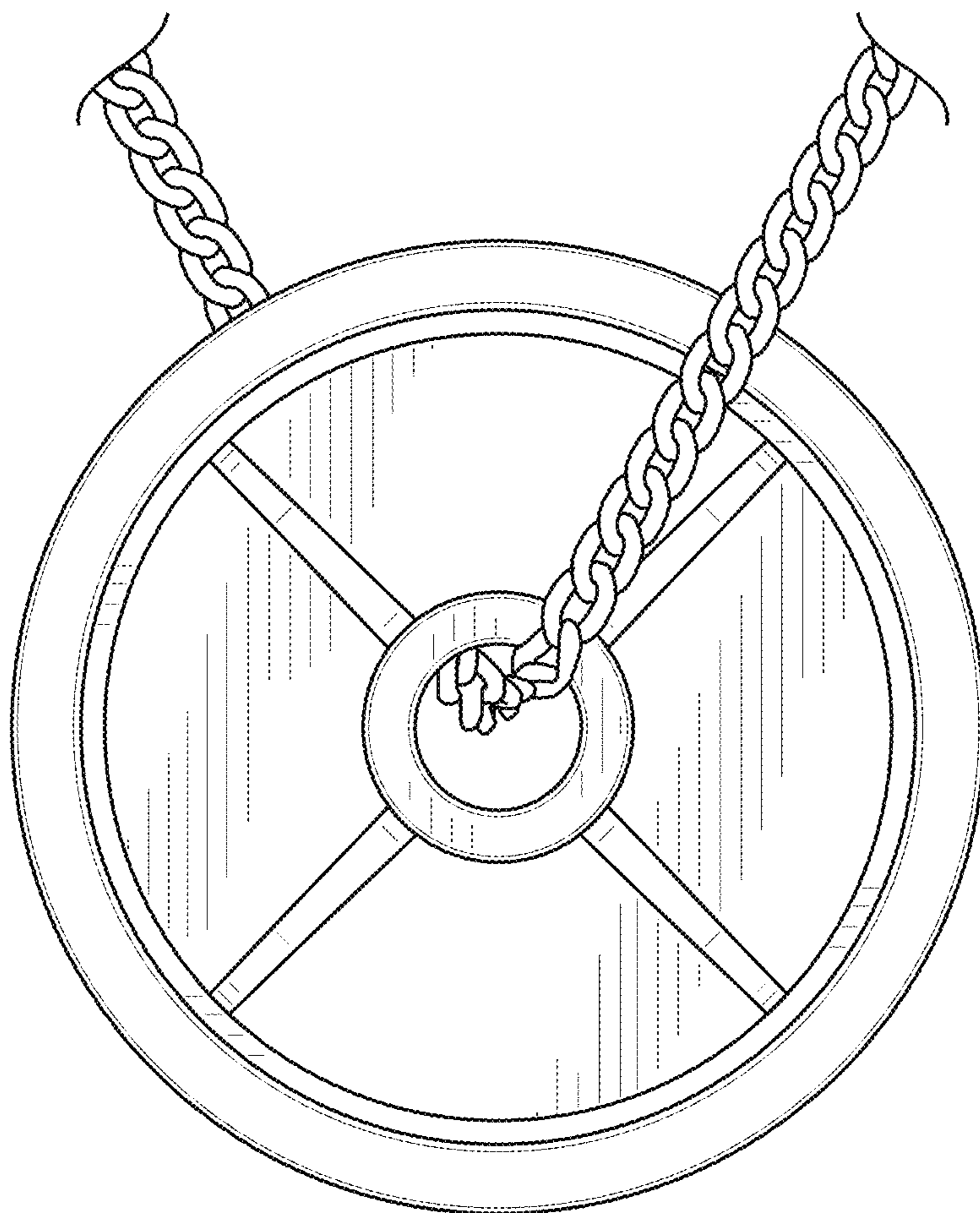


FIG. 3

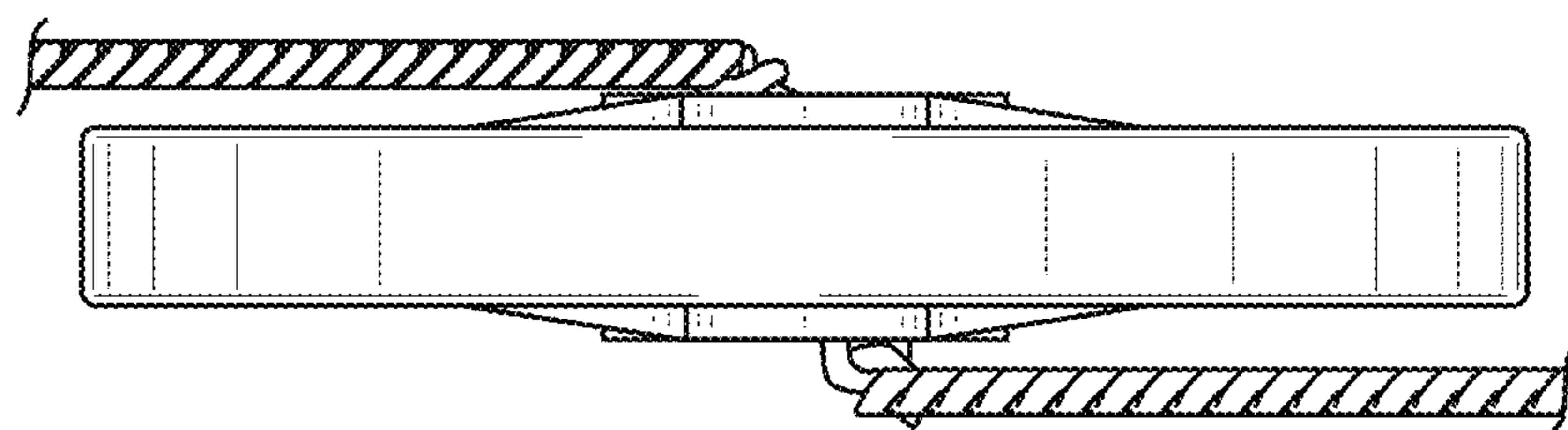


FIG. 4

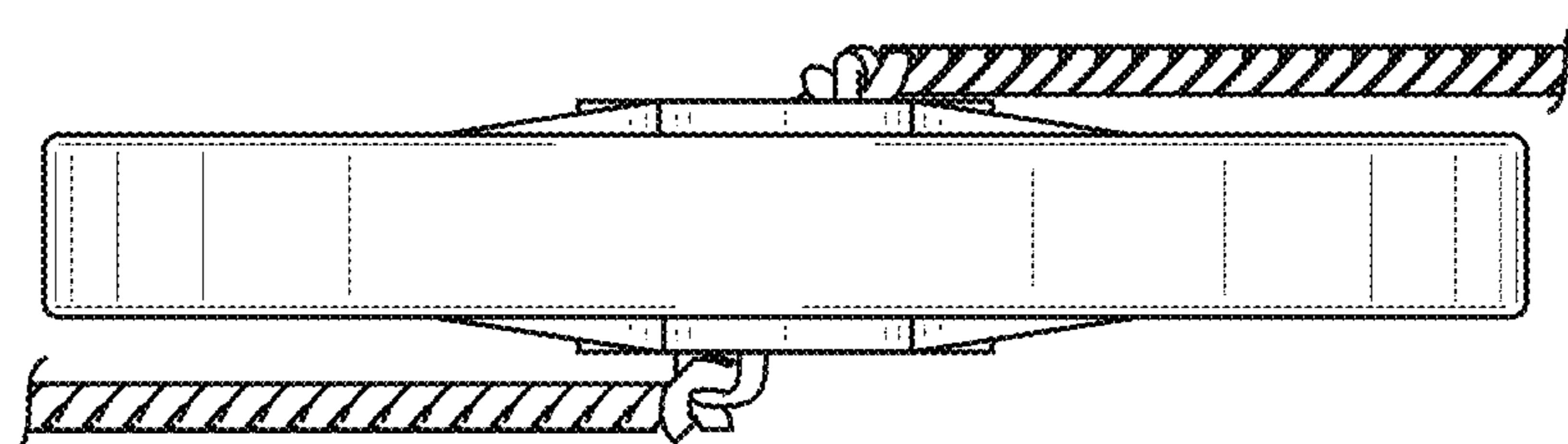


FIG. 5

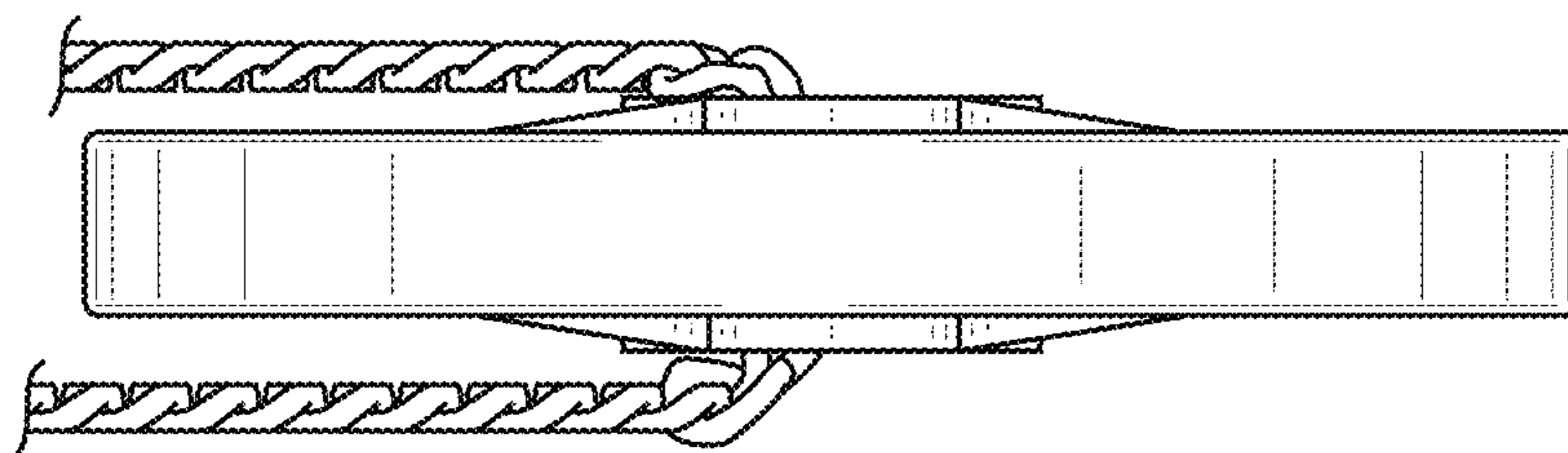


FIG. 6

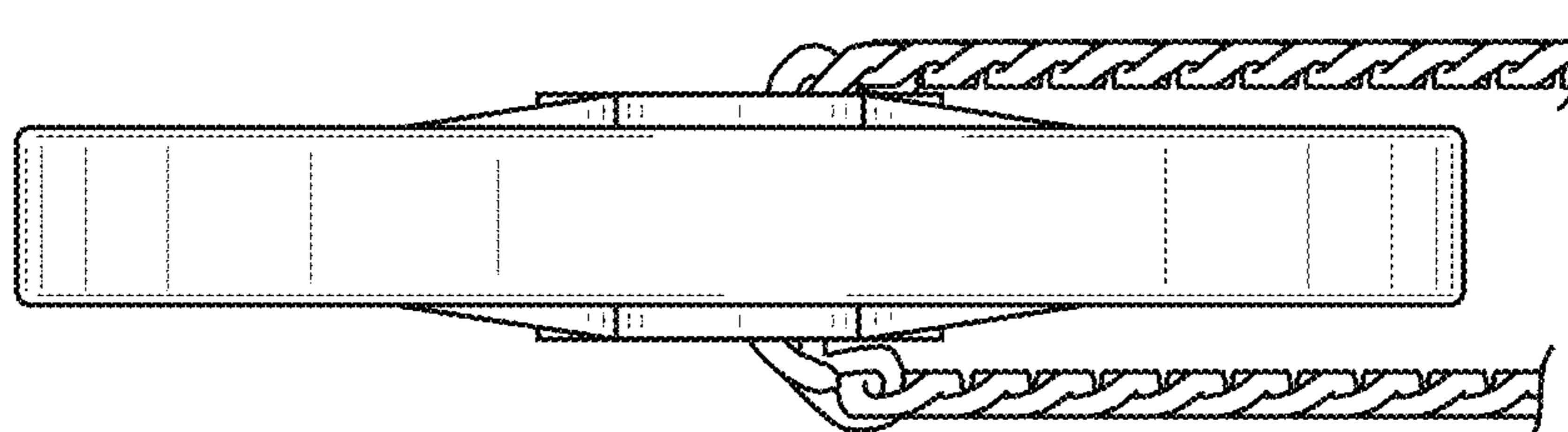


FIG. 7